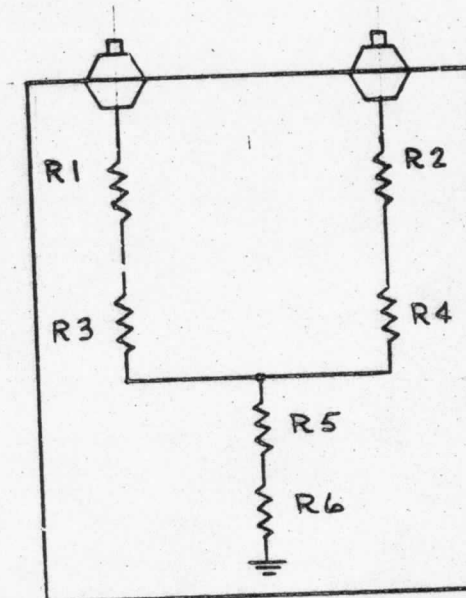


TRANSIENT FORM

DESCRIPTION — RTB-11
 The RTB-11 is similar to a conventional RTB unit except
 that it contains 6 ea RR-115 Resistors and is configured electrically as
 indicated in the sketch at right



- R1 RR-115-175
- R2 RR-115-175
- R3 RR-115-150
- R4 RR-115-150
- R5 RR-115-140
- R6 RR-115-140

REMARKS —

THE TECHNICAL MATERIAL CORPORATION MAMARONECK, NEW YORK		
DATE	CHKD.	
DRAWN	APPD.	
SHEET	OF	NO.

THE TECHNICAL MATERIEL CORP. MAMARONECK NEW YORK	
RTB-11	
DRAWN	APPROVED
	C
	RTB-11