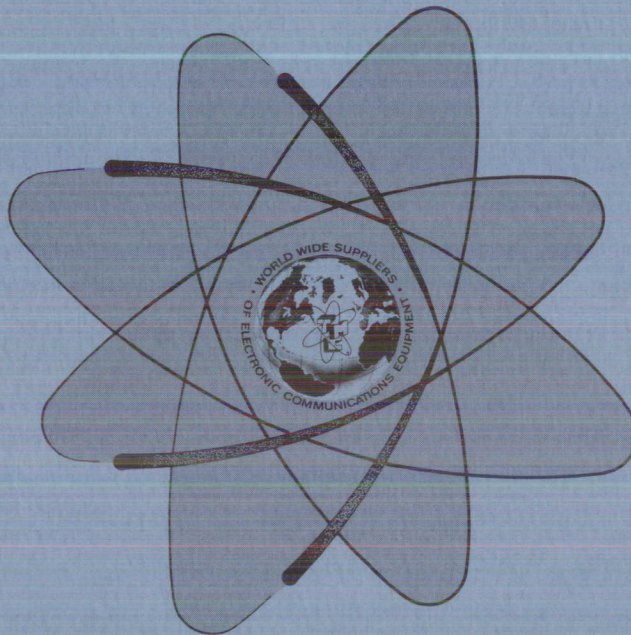


MASTER COPY
DO NOT DESTROY

TECHNICAL MANUAL
for

SIDEBAND STRIP EXCITER

MODEL STE-5A



THE TECHNICAL MATERIEL CORPORATION
MAMARONECK, N. Y.

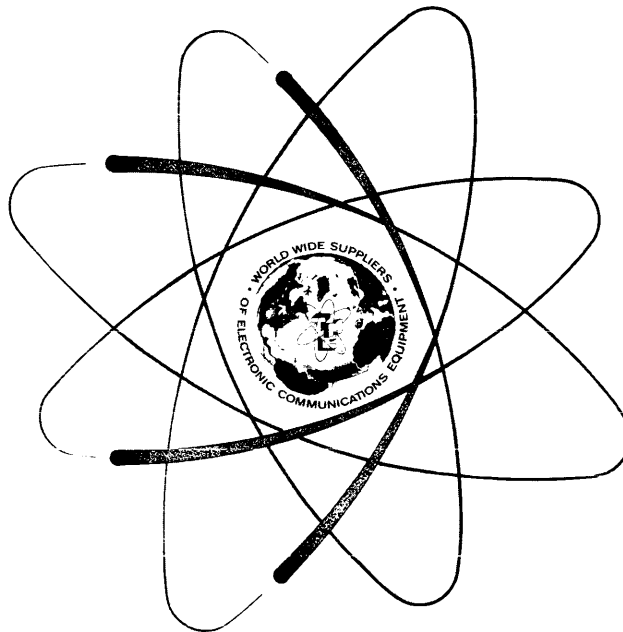
OTTAWA, ONTARIO

TECHNICAL MANUAL

for

SIDEBAND STRIP EXCITER

MODEL STE-5A



THE TECHNICAL MATERIEL CORPORATION
MAMARONECK, N.Y.

OTTAWA, ONTARIO

COPYRIGHT 1971
THE TECHNICAL MATERIEL CORPORATION

Printed in U.S.A.

IN 2032B/A

Issue Date: OCTOBER 23, 1970



THE TECHNICAL MATERIEL CORPORATION

C O M M U N I C A T I O N S E N G I N E E R S

700 FENIMORE ROAD

MAMARONECK, N. Y.

W a r r a n t y

The Technical Materiel Corporation, hereinafter referred to as TMC, warrants the equipment (except electron tubes, fuses, lamps, batteries and articles made of glass or other fragile or other expendable materials) purchased hereunder to be free from defect in materials and workmanship under normal use and service, when used for the purposes for which the same is designed, for a period of one year from the date of delivery F.O.B. factory. TMC further warrants that the equipment will perform in a manner equal to or better than published technical specifications as amended by any additions or corrections thereto accompanying the formal equipment offer.

TMC will replace or repair any such defective items, F.O.B. factory, which may fail within the stated warranty period, PROVIDED:

1. That any claim of defect under this warranty is made within sixty (60) days after discovery thereof and that inspection by TMC, if required, indicates the validity of such claim to TMC's satisfaction.
2. That the defect is not the result of damage incurred in shipment from or to the factory.
3. That the equipment has not been altered in any way either as to design or use whether by replacement parts not supplied or approved by TMC, or otherwise.
4. That any equipment or accessories furnished but not manufactured by TMC, or not of TMC design shall be subject only to such adjustments as TMC may obtain from the supplier thereof.

Electron tubes furnished by TMC, but manufactured by others, bear only the warranty given by such other manufacturers. Electron tube warranty claims should be made directly to the manufacturer of such tubes.

TMC's obligation under this warranty is limited to the repair or replacement of defective parts with the exceptions noted above.

At TMC's option any defective part or equipment which fails within the warranty period shall be returned to TMC's factory for inspection, properly packed with shipping charges prepaid. No parts or equipment shall be returned to TMC, unless a return authorization is issued by TMC.

No warranties, express or implied, other than those specifically set forth herein shall be applicable to any equipment manufactured or furnished by TMC and the foregoing warranty shall constitute the Buyers sole right and remedy. In no event does TMC assume any liability for consequential damages, or for loss, damage or expense directly or indirectly arising from the use of TMC Products, or any inability to use them either separately or in combination with other equipment or materials or from any other cause.

SIDEBAND STRIP EXCITER
Model STE-5A

The Technical Manual for the Model STE-5 is addended to include Side-Band Strip Exciter Model STE-5A.

The Model STE-5A provides facilities for remote Mode and PTT selection in addition to manual control from the front panel.

Remote Terminals

Carrier suppression and Press to Talk for the three (3) basic modes (-6 db, -16 db, and -50 db) are via three wire DC control circuits. The voltage required to enable remote controlled operation is preadjusted and supplied from the STE-5A. Terminal board TB1501 numbers 5, 6 and 12 (formerly not used) are now utilized for remote operation together with the addition of relays K1502, K1503, K1504 and associated circuitry.

When the following additions, changes and/or deletions are incorporated, the Technical Manual for the STE-5 will apply as written for the STE-5A.

Page 1-5, Table 1-2

<u>REF. SYMBOL</u>	<u>TYPE</u>	<u>FUNCTION</u>
CR1501	1N914	DC. BLOCKING
CR1502	1N914	DC. BLOCKING

Page 2-3

Add paragraph 2-4J
Remote Mode Selection

Terminals numbered 5, 6 and 12 of TB1501 are provided to remotely switch one of three modes. (A3A, A3H and A3J).

Page 3-1

Add to Paragraph 3-2b(2).

For Remote Control Operation, Mode switch must be set to position "AME" and appropriate switches connected to TB1501 numbers 5, 6 and 12. For Local these lines are open circuited.

Page 6-4

Add the following to Parts List:

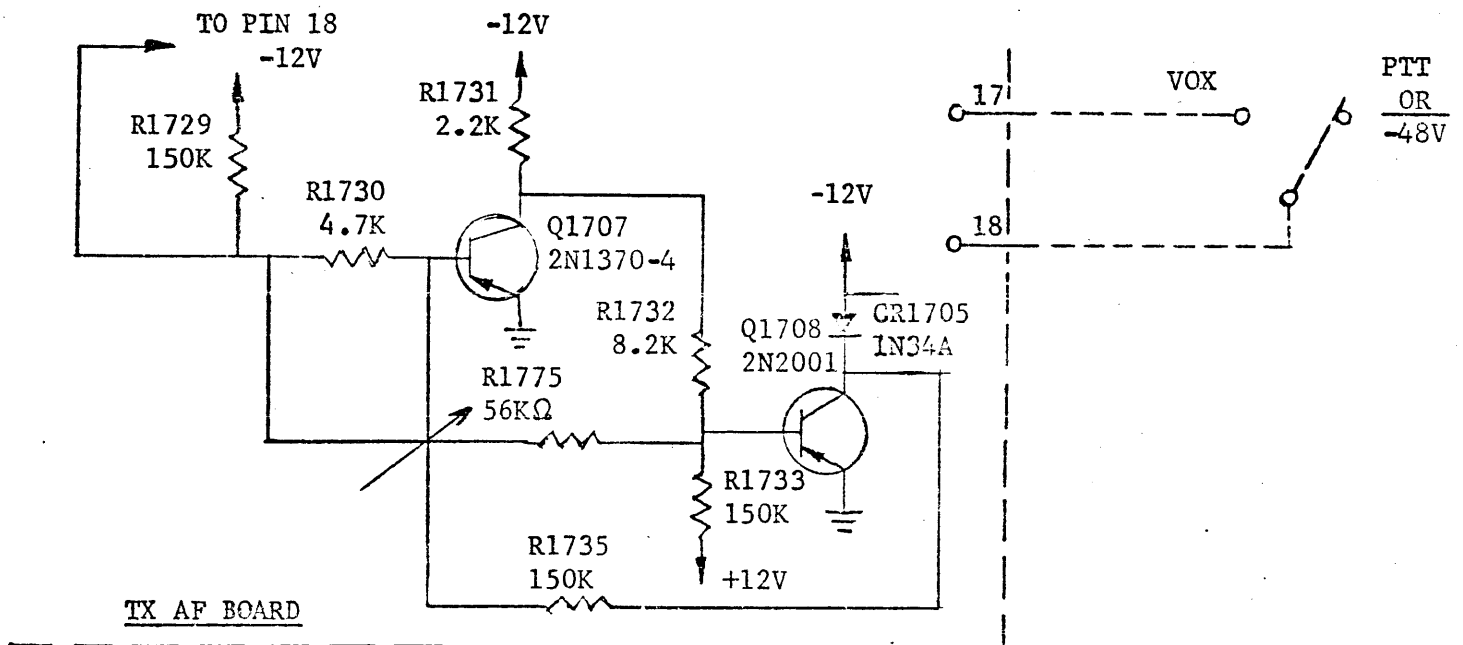
REF SYMBOL	DESCRIPTION	TMC PART NUMBER
C1525 thru C1530	SAME AS C1501	
L1511 thru L1513	SAME AS L1501	
<p>Page 6-6</p> <p>Add the following to Parts List:</p>		
C1531	CAPACITOR, FIXED, ELECTROLYTIC	CE105-2-25
CR1501	DIODE SILICON	1N914
CR1502	SAME AS CR1501	
K1502	RELAY, ARMATURE: 4PDT	RL156-2
K1503	SAME AS K1502	
K1504	SAME AS K1502	
<p>Page 6-8</p> <p>Add the following to Parts List:</p>		
R1775	RESISTOR, FIXED, COMPOSITION: 56K ohms, ±5%, 1/2 watt	RC20GF563J

Figure 7-1

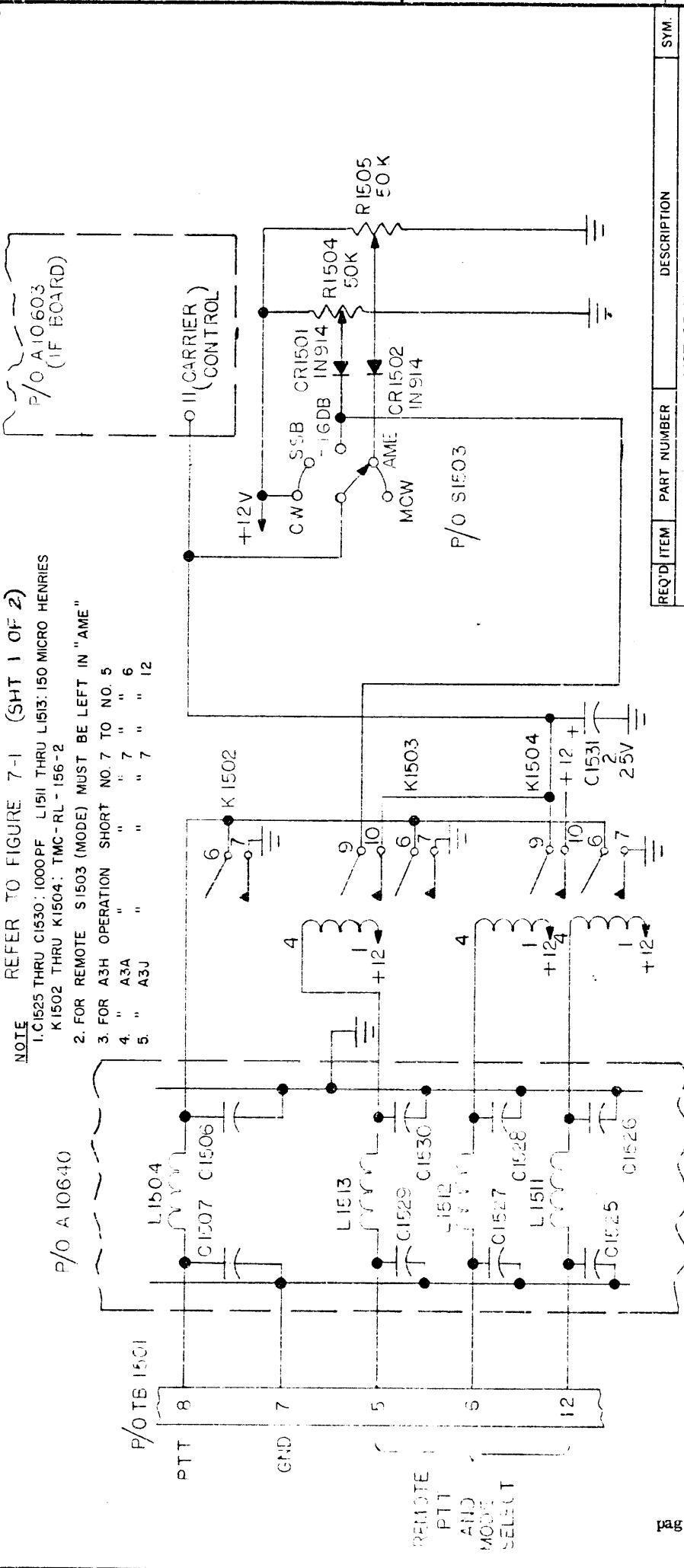
Change as per CK1874 drawing.

Figure 7-2

Add R1775 as shown:



REVISIONS							
ZONE	LTR	DESCRIPTION	DATE	E.M. NO.	DRAFT	CHKD	APPD
	Ø	ORIG. RELEASE FOR PROD	1/1/61		CV		
	A	ALTERNATE RELEASE FOR PROD	1/1/61				



- NOTE REFER TO FIGURE 7-1 (SHT 1 OF 2)
1. C1525 THRU C1530: 1000PF L1511 THRU L1513: 150 MICRO HENRIES K1502 THRU K1504: TMC-RL-156-2
 2. FOR REMOTE S1503 (MODE) MUST BE LEFT IN "AME"
 3. FOR A3H OPERATION SHORT NO. 7 TO NO. 5
 4. " A3A " " 7 " " 6
 5. " A3J " " 7 " " 12

REQ'D ITEM	PART NUMBER	DESCRIPTION	SYM.
LIST OF MATERIAL			
THE TECHNICAL MATERIEL CORP. MAMARONECK, NEW YORK			
REMOTE CONTROL OF PTT + MODE MODIFICATION FOR SIDE AND STRIP EXCITER STE-5			
SIZE	CODE IDENT. NO.	DWG NO.	ISSUE
B	82679	CK 1874	1
SCALE			SHEET OF

UNLESS OTHERWISE SPECIFIED DIMENSIONS ARE IN INCHES AND INCLUDE CHEMICALLY APPLIED OR PLATED FINISHES	DATE	DATE	DATE
DECIMALS	1/16	1/32	1/64
FRACTIONS	1/4	1/8	1/16
TOLS	± .005	± .002	± .001
ANGLES	± .005	± .002	± .001
MATERIAL FINISH			

QTY / UNIT	MODEL USED ON	ASSY NO.
STE-5A		
APPLICATION		
CODE		

NOTICE TO PERSONS RECEIVING THIS DRAWING
THE TECHNICAL MATERIEL CORPORATION claims proprietary right in the material disclosed hereon. The drawings are not to be reproduced, stored in a retrieval system, or used in any way without the written permission of THE TECHNICAL MATERIEL CORPORATION to the user. This drawing is issued for technical assistance and is subject to recall at any time.

