

★
UNCLASSIFIED

TECHNICAL MANUAL

for

GENERAL PURPOSE

TRANSMITTER

MODEL SBT-1K(A)

PART VI

APPENDIX

RACK & ACCESSORIES



THE TECHNICAL MATERIEL CORPORATION
MAMARONECK, N.Y.

OTTAWA, ONTARIO

TABLE OF CONTENTS

(APPENDIX - RACK & ACCESSORIES, SBT-1KA)

<u>Paragraph</u>		<u>Page</u>
VI-1	Introduction-----	VI-1
VI-2	Parts Breakdown-----	VI-1
VI-3	SBT-1K(A) Equipment Rack-----	VI-1
VI-4	Interconnecting Cable Installation---	VI-3

LIST OF ILLUSTRATIONS

<u>Figure</u>		<u>Page</u>
VI-1	Isometric Diagram Illustrating Installation of SWR-1K, and RFD-1A in RAK-9A1 Rack-----	VI-22
VI-2	Dimensioned Installation View of RAK-9A1, Shock Mounted-----	VI-23
VI-3	Cable Installation Diagram, SBT-1K(A)2-----	VI-24
VI-4	Partial Wiring Diagram Showing Interconnections of AX-198 Assembly and Closely Associated Units-----	VI-25
VI-5	Schematic Diagram of APP-4-----	VI-26
VI-6	Schematic Diagram of AX-198-----	VI-27
VI-7 (Sht 1)	Cable Wiring Diagrams, SBT-1K(A)-----	VI-28
VI-7 (Sht 2)	Cable Wiring Diagrams, SBT-1K(A)-----	VI-29

LIST OF TABLES

<u>Table</u>	<u>Page</u>
A	List of Parts, SBT-1K(A)2-----VI-3
B	Equipment Rack Model RAK-9A1, Parts List (Series 600)-----VI-5
C	Auxiliary Power Panel, Model APP-4 (Series 500)-----VI-16
D	Shipping List (SBT-1KA2)-----VI-19

APPENDIX

RACK AND ACCESSORIES

VI-1. INTRODUCTION

This part of the manual describes the rack and all accessory items included in the make-up of a complete SBT-1K(A) transmitter, not covered by Parts I through V. In addition, it is intended that this appendix and its revisions will serve to illustrate such items as minor wiring and component rating variations occurring within a production run of a model. Unless otherwise noted, the following data applies to SBT-1K(A)2, serial # 306 and up.

VI-2. PARTS BREAKDOWN

The parts breakdown of the SBT-1K(A) (by major sub-assemblies) is described in Table A, which lists all parts (except fastening hardware) that go into the assembly of an SBT-1K(A). Parts arriving in the shipment of the SBT-1K(A) are described in Table D. When re-ordering any major units (SWR-1K, VOX-5, etc.) reference to Table A will describe all the electrical parts plus special cables and modifications peculiar to the SBT-1K(A) that will be included in the shipment of the unit. In each case, when re-ordering, it should be specified that the unit is to be for an SBT-1K(A).

VI-3. SBT-1K(A) EQUIPMENT RACK

Model RAK-9A1 is a standard relay-type rack with a hinged rear door and comes equipped with 4 sets of tilt-lock drawer slides for mounting the RFD-1A, VOX-5, SBE-2 and PS-4A units. Tracks are provided on the rack floor for installation of the PS-5 unit. Figure VI-1 is an outline drawing of RAK-9A1 and includes information for installation of the SWR-1K and RFD-1A units and their connections with the AX-198 unit.

RAK-9A1-B is the base-mounted rack which is designed to sit directly on the floor. RAK-9A1-S is the shock mounted rack which is mounted to the structure with 6 shock mounts, 4 at the bottom and 2 at the top. Dimensions of the shock-mounted rack are shown in figure VI-2. Overall dimensions are the same for both shock-mounted and base-mounted racks with the exception of height; the shock-mounted rack is 73-3/4 inches high and the base-mounted is 74-3/4 inches. Mounting dimensions are shown for the shock-mounted model. In the case of the base-mounted model, the separate base sits directly on the floor and the rack bolts to the base.

Two reel-mounted springs are provided for retracting the wiring cables of the slide-mounted units to prevent cable snagging. One spring is located on the AX-198 chassis; the other is located on the left inside wall of the rack.

The exhaust blower for the rack forced-air cooling system is installed on the lower part of the rear door. Removable air filter (TMC #AD-103-9) is inserted in the front of the blower. Air intake is in the ceiling of the rack, through removable air filter TMC #AD-103-5.

TMC #AX-198 RF Output Assembly, containing the antenna relays and output connectors, is a part of rack RAK-9A1 assembly. TMC #APP-4 Auxiliary Power Panel is a separate assembly but arrives installed in the rack upon the initial shipment of the transmitter. Both units are standard equipment in all of the SBT-1K series of transmitters.

Large holes with cover plates are supplied at the bottom of

the rack structure for passing out external wiring.

VI-4. INTERCONNECTING CABLE INSTALLATION

To assemble SBT-1K(A) cabling, make connections per figure VI-3 and VI-4. RAK-9A1 is generally shipped with CA-506, CA-490, CA-491, and CA-493 cables installed. Refer to table D for parts included in the shipment as "loose items". This table includes the function of each loose item in the "description" column.

NOTE

Use only TMC #PL-150 RF plug to mate with ANTENNA jack J609 on AX-198 unit. The flange on the plug is required to depress the plunger on interlock switch S604 at this point.

As shown in figure VI-1, connection between RFD-1A terminal E203 and AX-198 E602 is made by direct contact of button-type terminal E203 to spring socket E602 as RFD-1A is inserted into rack.

TABLE A. LIST OF PARTS, SBT-1K(A)2

QTY /UNIT	TMC PART NUMBER	TITLE	DESCRIPTION
1	RAK-9A1	RACK	Consists of rack structure and electrical components listed in RAK-9A1 parts list (Table B).
1	SWR-1K	STANDING WAVE RATIO INDICATOR	Consists of unit and parts as described in Part II (SWR-1K Manual), with C305 and C302 capacitors trimmed for 50-ohm transmission lines.

TABLE A. (Cont'd)

QTY /UNIT	TMC PART NUMBER	TITLE	DESCRIPTION
1	RFD-1A (P/O PAL-1KA)	RF LINEAR AMPLIFIER	Consists of unit and parts as described in Part III (PAL-1KA Manual) with special length attached cable CA-482-52 (W202) for SBT-1K use.
1	PS-4A (P/O PAL-1KA)	LOW VOLTAGE POWER SUPPLY	Consists of unit and parts as described in Part III (PAL-1KA Manual).
1	PS-5 (P/O PAL-1KA)	HIGH VOLTAGE POWER SUPPLY	Consists of unit and parts as described in Part III (PAL-1KA Manual).
1	VOX-5	VARIABLE FREQUENCY OSCILLATOR	Consists of unit and parts as described in Part IV (VOX-5 Manual) with special length attached cable CA-569-2 (W201) and special separate cable CA-435-3 (W202) for SBT-1K use.
1	SBE-2 (A-1516)	TRANSMITTING MODE SELECTOR (Exciter unit)	Consists of unit and parts as described in Part V (SBE-2 Manual) with MS-1762-1 and MS-1762-2 left and right spacer plates mounted on sides to adapt unit for slide-mounting in SBT-1K rack. Includes special separate cable CA-396-3-9 (W101) for SBT-1K use and PL-132-3 mating plug for J101 MIKE receptacle.

TABLE A. (Cont'd)

QTY /UNIT	TMC PART NUMBER	TITLE	DESCRIPTION
1	SBE-2 (A-1397)	TRANSMITTING MODE SELECTOR (Power supply)	Consists of unit and parts as described in Part V (SBE-2 Manual) with separate AC power cable CA-468-2 (W401).
1	APP-4	AUXILIARY POWER PANEL	Panel mounted unit as shown in figure VI-5. Consists of electrical components listed in Table C, plus fanning strips TM 105-26AL and TM 105-16AR.

TABLE B. EQUIPMENT RACK MODEL RAK-9A1, PARTS LIST (SERIES 600)

SYM	DESCRIPTION	FUNCTION	TMC PART NO.
B601	BLOWER, axial: 1650 RPM, 450 CFM, 115VAC, 60 cycle, single phase, running capacitor 2 uf.	Rack cooling	BL-101
C601	CAPACITOR, fixed: 10,000 uuf min., 500 WVDC (P/O AX-198)	RF bypass	CC-100-16
C602	Same as C601	RF bypass	
C603	Same as C601	RF bypass	
C604	Same as C601	RF bypass	
C605	Same as C601	RF bypass	

TABLE B. (Cont'd)

SYM	DESCRIPTION	FUNCTION	TMC PART NO.
C606	Same as C601	RF bypass	
C607	Same as C601	RF bypass	
C608	Same as C601	RF bypass	
C609	Same as C601	RF bypass	
C610	Same as C601	RF bypass	
C611	Same as C601	RF bypass	
C612	Same as C601	RF bypass	
C613	CAPACITOR, fixed: paper dielectric, bathtub type, 2 uf $\pm 10\%$, 600 WVDC.	B601 running capacitor	CP53B1FF205K
CP601	ADAPTER, connector: RF, series UHF, right angle (P/O AX-198).	Antenna to receiver	UG-646/U
CP602	Same as CP601	Antenna to receiver	
CP603	Same as CP601	Output to SWR-1K	
CP604	Same as CP601	Input from RFD-1A	

TABLE B. (Cont'd)

SYM	DESCRIPTION	FUNCTION	TMC PART NO.
CP605	Same as CP601	Output to antenna	
CP606	ADAPTER, connector: RF, series UHF, straight (P/O AX-198)	Input from RFD-1A	SA-104
CP607	Same as CP606	Output to SWR-1K	
CP608	NOT USED		
CP609	NOT USED		
CP610	NOT USED		
CP611	NOT USED		
CP612	NOT USED		
CP613	NOT USED		
CP614	NOT USED		
CP615	ADAPTER, connector: RF, tee, series BNC	Mates with J203, P102 and P604	UG-274/U
E601	TERMINAL BLOCK: Barrier type, 2-terminal, 4 #6-32 binder head screws, bakelite body.	B601 Blower Connection	TM-102-2

TABLE B. (Cont'd)

SYM	DESCRIPTION	FUNCTION	TMC PART NO.
E602	CONTACT ASSEMBLY: RF connector (P/O AX-198).	RFD-1A output to AX-198,closes S603	AX-154
E603	TERMINAL BLOCK: Barrier lug type, 3 terminals, 3 #6-32 binder head screws (P/O AX-198).	Interlock link	TM-100-3
E604	FANNING STRIP: 11-terminal, right angle, left end feed. (P/O W610).	For E604 in PS-4A	TM-105-11AL
E605	FANNING STRIP: 14-terminal, right angle, right end feed. (P/O W-609).	For E605 in SBE-2	TM-105-14AR
J601	CONNECTOR, receptacle: AC, 3-prong, male, polarized, locking type, non-grounded. (P/O W612).	SBT-1K(A) line voltage input	JJ-194-NG
J602	CONNECTOR, receptacle: AC, 2-prong, male, twist lock. (P/O W610).	SBT-1K(A) utility input	JJ-100
J603	CONNECTOR, receptacle: MIL type MS3102A14S-2S, female.	B601 Blower connection. Mates with P603.	MS3102A14S-2S
J604	CONNECTOR, receptacle: MIL type MS3102A18-16S, female (P/O W605).	PS-4A to RFD-1A. Mates with P202.	MS3102A18-16S

TABLE B. (Cont'd)

SYM	DESCRIPTION	FUNCTION	TMC PART NO.
J605	CONNECTOR, receptacle: MIL type MS3102A32-7S, female. (P/O W606).	PS-5 to RFD-1A. Mates with P201.	MS3102A32-7S
J606	CONNECTOR, receptacle: RF, series BNC, straight feed-thru. (P/O AX-198).	Antenna to receiver. Mates with P624.	UG-492A/U
J607	CONNECTOR, receptacle: MIL type MS3102A-20-27P, male. (P/O AX-198).	AX-198 main con- nector. Mates with P607.	MS3102A-20-27P
J608	CONNECTOR, receptacle: RF, series UHF. (P/O AX-198).	Output to SWR-1K. Mates with P608.	UG-307/U
J609	ADAPTER, connector: RF, series UHF to series QDS, female. (P/O AX-198).	Output to antenna. Mates with P616 and P606.	JJ-147
J610	Same as J608	Output to antenna. Mates with P610.	
J611	CONNECTOR, receptacle: RF, series UHF, female. (P/O AX-198).	Input from RFD-1A. Mates with CP606.	JJ-195
J612	CONNECTOR, receptacle: AC, 2-prong, female, w/bracket.	Extra line volt- age outlet	JJ-170
J613	Same as J612	Line voltage to VOX-5. Mates with P203.	

TABLE B. (Cont'd)

SYM	DESCRIPTION	FUNCTION	TMC PART NO.
J614	Same as J612	Line voltage to SBE-2. Mates with P402.	
K601	RELAY, coaxial: 220 VDC coil, RF switch SPDT, aux. switch DPDT, 1 kw power, with 3 series UHF connectors. (P/O AX-198).	Antenna relay	RL-139-4-220DC
K602	RELAY, AC coil: 115 VAC coil, 5-amp non-inductive contacts. (P/O AX-198).	Antenna sequence relay	RL-116-AC-2C-115
MP601	FILTER, air: forced-air cooling system.	Rack exhaust air filter	AD-103-9
MP602	FILTER, air: forced-air cooling system.	Rack intake air filter	AD-103-5
P601	CONNECTOR, plug: AC, 3-prong, locking type, polarized, non-grounded. (P/O W611).	Mates with J703 on PS-4A.	PL-134-NG
P602	CONNECTOR, plug: RF, series BNC. (P/O W604).	Mates with J305 on SWR-1K	PL-169
P603	CONNECTOR, plug: elbow, MIL type MS3108A14S-2P, male.	Mates with J603 on Blower Box	MS3108A14S-2P

TABLE B. (Cont'd)

SYM	DESCRIPTION	FUNCTION	TMC PART NO.
P604	CONNECTOR, plug: RF, series BNC. (P/O W608).	Mates with CP615 on VOX-5	UG-260/U
P605	CONNECTOR, plug: RF, series QDS, male, universal (W603).	Mates with J304 on SWR-1K	PL-149
P606	CONNECTOR, plug: RF, series QDS, male, universal, with plates.	Antenna cable plug. Mates with J609 on AX-198	PL-150
P607	CONNECTOR, plug: MIL type MS3106B20-27S, female. (P/O W610).	Mates with J607 on AX-198	MS3106B20-27S
P608	CONNECTOR, plug: RF, series UHF. (P/O W603).	Mates with J608 on AX-198	PL-259A/TEF
P609	CONNECTOR, plug: MIL type MS3106B28-11P, male. (P/O W609).	Mates with J501 on APP-4	MS3106B28-11P
P610	Same as P608 (P/O W604)	Mates with J610 on AX-198	
P611	Same as P604 (P/O W607)	Mates with J103 on SBE-2	
P612	Same as P608 (P/O W607)	Mates with J201 on RFD-1A	

TABLE B. (Cont'd)

SYM	DESCRIPTION	FUNCTION	TMC PART NO.
P613	Same as P604 (P/O W608)	Mates with J104 on SBE-2	
P614	CONNECTOR, plug: MIL type MS3106B32-7P, male. (P/O W606)	Mates with J701 on PS-4A	MS3106B32-7P
P615	CONNECTOR, plug: MIL type MS3106B18-16P, male. (P/O W605)	Mates with J401 on PS-5	MS3106B18-16P
P616	Same as P608 (P/O W601)	Mates with J609 inside AX-198	
P617	Same as P604 (P/O W602)	Mates with J606 inside AX-198	
P618	Same as P608 (P/O W602)	Mates with CP602 inside AX-198	
P619	Same as P608 (P/O W601)	Mates with CP605 inside AX-198	
P620	CONNECTOR, plug: AC, 3-prong, locking type, polarized, non-grounded.	For main line voltage cables. Mates with J601 on rack.	PL-190-NG
P621	NOT USED		
P622	NOT USED		
P623	NOT USED		

TABLE B. (Cont'd)

SYM	DESCRIPTION	FUNCTION	TMC PART NO.
P624	Same as P604	For receiver cable. Mates with J606 on AX-198.	
P625	NOT USED		
P626	NOT USED		
P627	CONNECTOR, plug: AC, 2-prong, twist lock, female.	For utility line voltage cable. Mates with J602 on rack.	PL-100
P628 THRU P634	NOT USED		
P635	CONNECTOR, plug: RF, series BNC. (P/O W629)	Mates with J704 on PS-4A	PL-169
P636	Same as P635 (P/O W629)	Mates with J113 on SBE-2	
R601	RESISTOR, fixed: wire-wound, 35K, 10 watts.	Voltage drop	RW-109-40
S601	SWITCH, micro: push-pull type.	Safety switch for B601 Blower line supply. Works from rack door.	SW-230
S602	Same as S601	Link in main interlock circuit. Works from rack door.	

TABLE B. (Cont'd)

SYM	DESCRIPTION	FUNCTION	TMC PART NO.
S603	Same as S601 (P/O AX-198)	Link in main interlock circuit. Closes upon insertion of RFD-1A into rack.	
S604	SWITCH, micro: push-button type (P/O AX-198)	Link in main interlock circuit. Closes when P606 mates with J609.	SW-189
W601	CABLE, RF: consists of RG-8/U coaxial cable, P616 and P619, 5-1/4 in. long. (P/O AX-198)	Internal cable in AX-198. J609 to CP605.	CA-512-1-5.25
W602	CABLE, RF: consists of RG-59/U coaxial cable, P617 and P618, 11-1/4 in. long. (P/O AX-198)	Internal cable in AX-198. J606 to CP602.	CA-383-11.25C
W603	CABLE, RF: consists of RG-8/U coaxial cable, P605 and P608, 23 in. long.	J608 (AX-198) to J304 (SWR-1K)	CA-512-2-23
W604	CABLE, RF: consists of RG-8/U coaxial cable, P602 and P610, 23 in. long.	J305 (SWR-1K) to J610 (AX-198)	CA-512-2-23
W605	CABLE, single conductor: consists of TMC #WI-131 hi-voltage wire, J604 and P615, 96 in. long.	J401 (PS-5) to P202 (RFD-1A). High voltage	CA-490

TABLE B. (Cont'd)

SYM	DESCRIPTION	FUNCTION	TMC PART NO.
W606	CABLE, multiple conductor: consists of wiring as shown in figure VI-7, J605 and P614.	J701 (PS-4A) to P201 (RFD-1A). Low voltage	CA-491
W607	CABLE, RF: consists of RG-59/U coaxial cable, P611 and P612, 78 in. long.	J103 (SBE-2) to J201 (RFD-1A)	CA-383-78C
W608	CABLE, RF: consists of RG-59/U coaxial cable, P604 and P613, 49 in. long.	CP615 (VOX-5) to J104 (SBE-2)	CA-480-6-49
W609	CABLE, multiple conductor: consists of wiring as shown in figure VI-7, E605 and P609.	J501 (APP-4) to E101 (SBE-2)	CA-507-1
W610	CABLE, harness: consists of wiring as shown in figure VI-7, P607 and E604.	Main rack cable harness.	CA-506
W611	CABLE, multiple conductor: consists of 2-conductor a-c power wire and P601.	APP-4 to J703 (PS-4A)	CA-509
W612	CABLE, multiple conductor: consists of 2-conductor a-c power wire and J601.	Line voltage to APP-4	CA-493

TABLE B. (Cont'd)

SYM	DESCRIPTION	FUNCTION	TMC PART NO.
W613 THRU W628	NOT USED		
W629	CABLE, RF: consists of RG-174/U coaxial cable, P635 and P636.	ALDC feedback J704 (PS-4A) to J113 (SBE-2)	CA-480-3-80

TABLE C. AUXILIARY POWER PANEL MODEL APP-4 (SERIES 500)

SYM	DESCRIPTION	FUNCTION	TMC PART NO.
C501	CAPACITOR, fixed: ceramic dielectric, 1000 uuf $\pm 20\%$, Char. A	RF bypass	CK70A102M
C502 THRU C520	Same as C501	RF bypass	
C521	CAPACITOR, fixed: mica dielectric, .01 uf $\pm 10\%$, Char. B.	RF bypass	CM-35B103K
C522	Same as C501	RF bypass	
C523	Same as C501	RF bypass	
C524	Same as C501	RF bypass	

TABLE C. (Cont'd)

SYM	DESCRIPTION	FUNCTION	TMC PART NO.
CB501	CIRCUIT BREAKER, dual type: calibrating tap, 15 amps, 60 cycle, 230 VAC.	SBT-1K(A) MAIN POWER switch	SW-261
E501	TERMINAL BLOCK: Barrier lug type, 16 terminals, 16 #6-32 binder head screws.	SBT-1K(A) external connections	TM-100-16
E502	Same as E501	SBT-1K(A) external connections	
F501	FUSE, cartridge: hi-rating, 15 amps, 250 max voltage, medium blow-time.	Utility AC circuit protection	FU-103-15
F502	Same as F501	Utility AC circuit protection	
I501	LAMP, incandescent: 120 volts, 3 watts, S-6 clear bulb, bayonet base.	MAIN POWER indicator	BI-102-3
J501	CONNECTOR, receptacle: MIL type MS3102A28-11S, female.	Main APP-4 connector	MS3102A28-11S
J502	CONNECTOR, receptacle: AC power, grounding type.	Utility outlet	JJ-173

TABLE C. (Cont'd)

SYM	DESCRIPTION	FUNCTION	TMC PART NO.
J503	Same as J502	Utility outlet	
L501	COIL, RF, fixed: 150 uh $\pm 10\%$, 100 ma.	Choke, RF	CL-140-2
L502 THRU L520	Same as L501	Choke, RF	
L521	COIL, RF, fixed: 2 uh ± 0.1 uhy, Q = 200 or more at 7.9 mc.	Choke, RF	CL-269
L522	Same as L521	Choke, RF	
R501	SHUNT, power: .0042-ohm +5% -1%, 20 ma at 115 VAC.	115- to 230-V conversion	AR-132
R502	Same as R501	115- to 230-V conversion	
R503	SHUNT, power: .075-ohm $\pm 10\%$, 5 amps at 115 VAC.	115- to 230-V conversion	AR-133
R504	Same as R503	115- to 230-V conversion	
R505	RESISTOR, fixed: wire- wound 5K, 10 watts.	Voltage dropping	RW-109-32
XF501	HOLDER, fuse: extractor post, for 1/4 in. x 1-1/4 in. cartridge fuse.	F501 socket	FH-100-1
XF502	Same as XF501	F502 socket	

TABLE C. (Cont'd)

SYM	DESCRIPTION	FUNCTION	TMC PART NO.
XI501	SOCKET, lamp: for S-6 bayonet bulb, with red lens.	I501 socket	TS-124-1

TABLE D. SHIPPING LIST, SBT-1K(A)

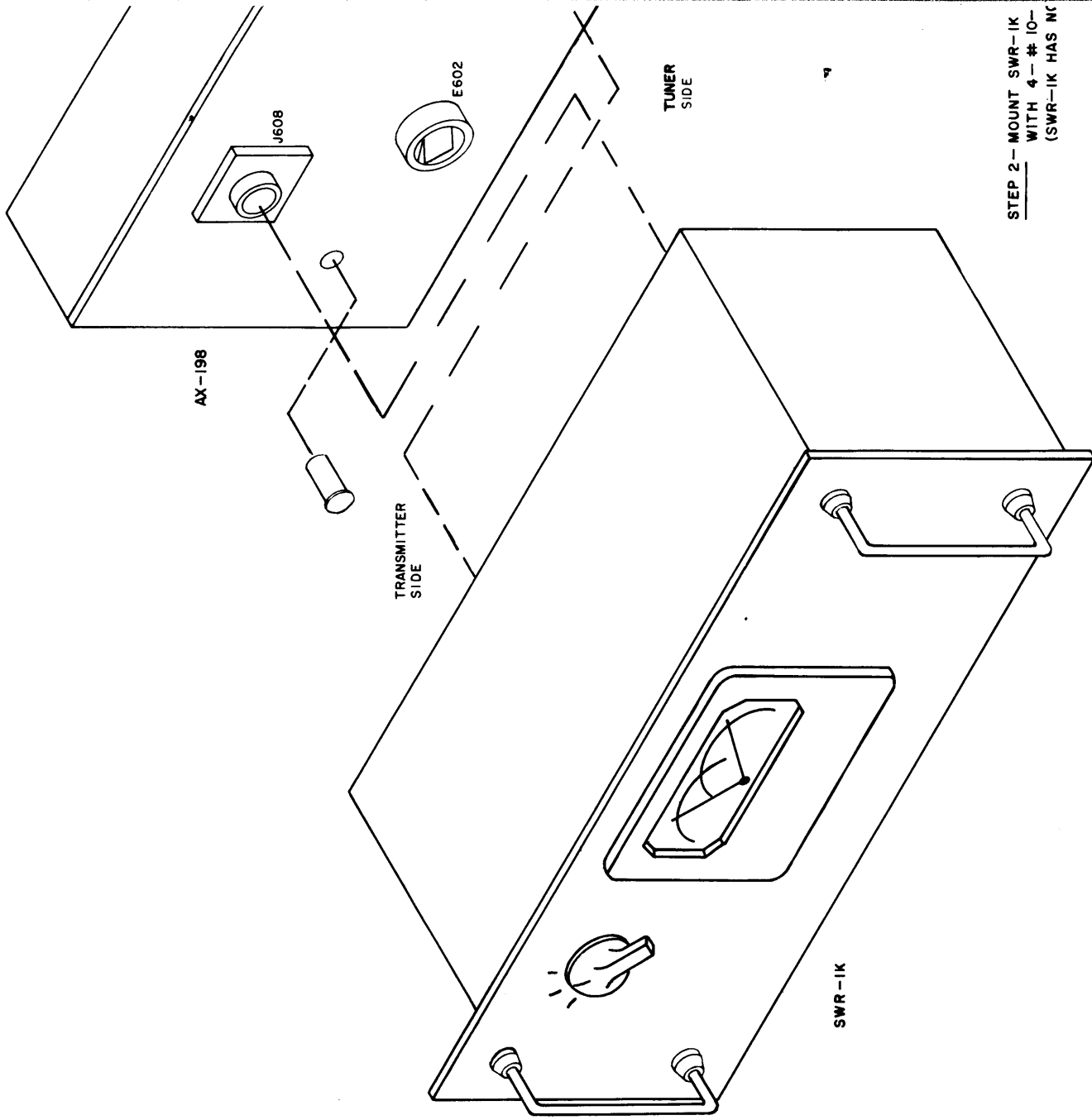
CRATE NO.	QTY	TMC PART NO.	DESCRIPTION
1	1	RAK-9A1	Equipment Rack with AX-198 and CA-506, CA-490, CA-491 and CA-493 cables installed.
	1	APP-4	Auxiliary Power Panel (mounted in RAK-9A1)
	1	TM-105-16AL	Fanning Strip, right angle, left end feed. For attachment of wires to E501 on APP-4.
	1	TM-105-16AR	Fanning strip, right angle, right end feed. For attachment of wires to E502 on APP-4.
	1	CA-346-3-9	Cable; power, (W101) SBE-2 power supply to SBE-2 exciter.
	1	PL-132-3	Connector, plug, male. For mike cable. Mates with MIKE jack on SBE-2 exciter.
	1	CA-468-2	Cable, power, (W401) SBE-2 power supply to rack AC outlet strip.

TABLE D. (Cont'd)

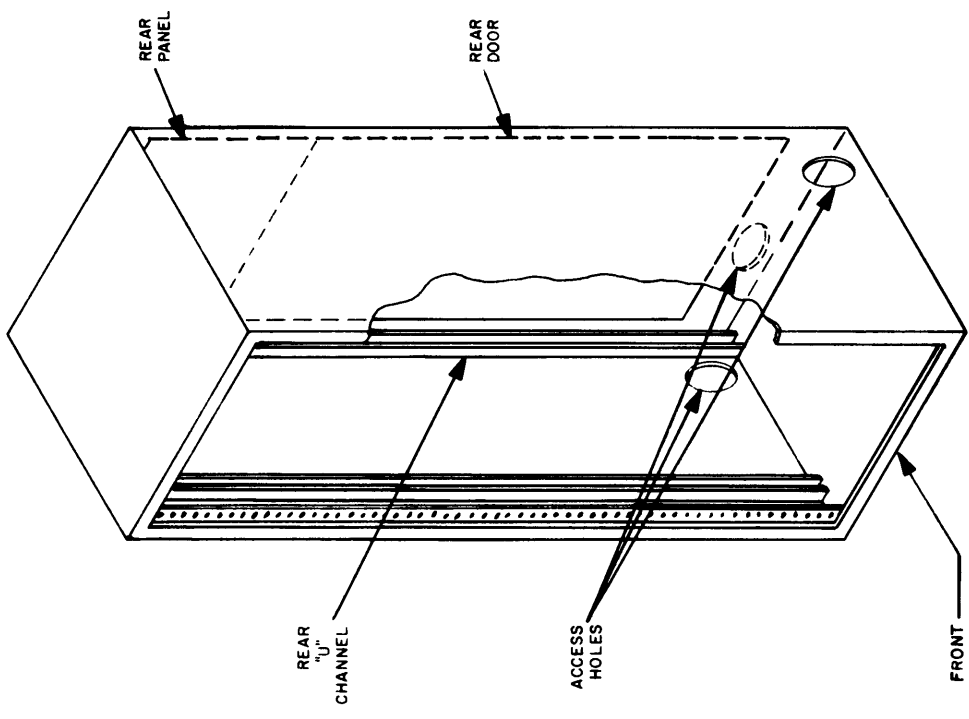
CRATE NO.	QTY	TMC PART NO.	DESCRIPTION
1 (Cont'd)	1	CA-512-2-23	Cable (W603). From J603 on AX-198 to J304 on SWR-1K.
	1	CA-512-2-23	Cable (W604). From J610 on AX-198 to J305 on SWR-1K.
	1	CA-383-78C	Cable (W607). From J201 on RFD-1A to J103 on SBE-2.
	1	CA-480-6-49	Cable (W608). From UG-274/U tee on VOX-5 to J104 on SBE-2.
	1	CA-507	Cable (W609). From J501 on APP-4 to E101 on SBE-2.
	1	CA-480-3-80	Cable (W629). From J704 on PS-4A to J113 on SBE-2.
	1	PL-150	Connector, plug (P606). Mates with J609 on AX-198.
	1	UG-260/U	Connector, plug (P624). Mates with J606 on AX-198.
	1	PL-190-NG	Connector, plug (P620). Mates with J601 on rack.
	1	PL-100	Connector, plug (P627). Mates with J602 on rack.
	1	UG-274/U	Tee adapter (CP615). Mates with J203 on VOX-5.

TABLE D. (Cont'd)

CRATE NO.	QTY	TMC PART NO.	DESCRIPTION
1 (Cont'd)	4	SC-142-C	Eyebolts. Fit in top of rack. For moving rack by means of crane hoist.
	44	SCBS1032BN8	Machine screws. For mounting units in rack.
	44	WA-101-11	Washers, flat fiber. For use with SCBS1032BN8 screws.
	2	IN-302	Technical Manuals on SBT-1K(A).
	1		Set of Test Data on SBT-1K(A).
2	1	SWR-1K	Standing Wave Ratio Indicator.
	1	A-1397	SBE-2 Power Supply.
3	1	SBE-2 (A-1516)	Transmitting Mode Selector.
	1	VOX-5	Variable Frequency Oscillator.
4	1	RFD-1A (P/O PAL-1KA)	RF Linear Amplifier.
	1	PS-4A (P/O PAL-1KA)	Low Voltage Power Supply.
5	1	PS-5 (P/O PAL-1KA)	High Voltage Power Supply.



STEP 2 - MOUNT SWR-1K
WITH 4 - # 10 -
(SWR-1K HAS NC



STANDARD RAK-9A RACK

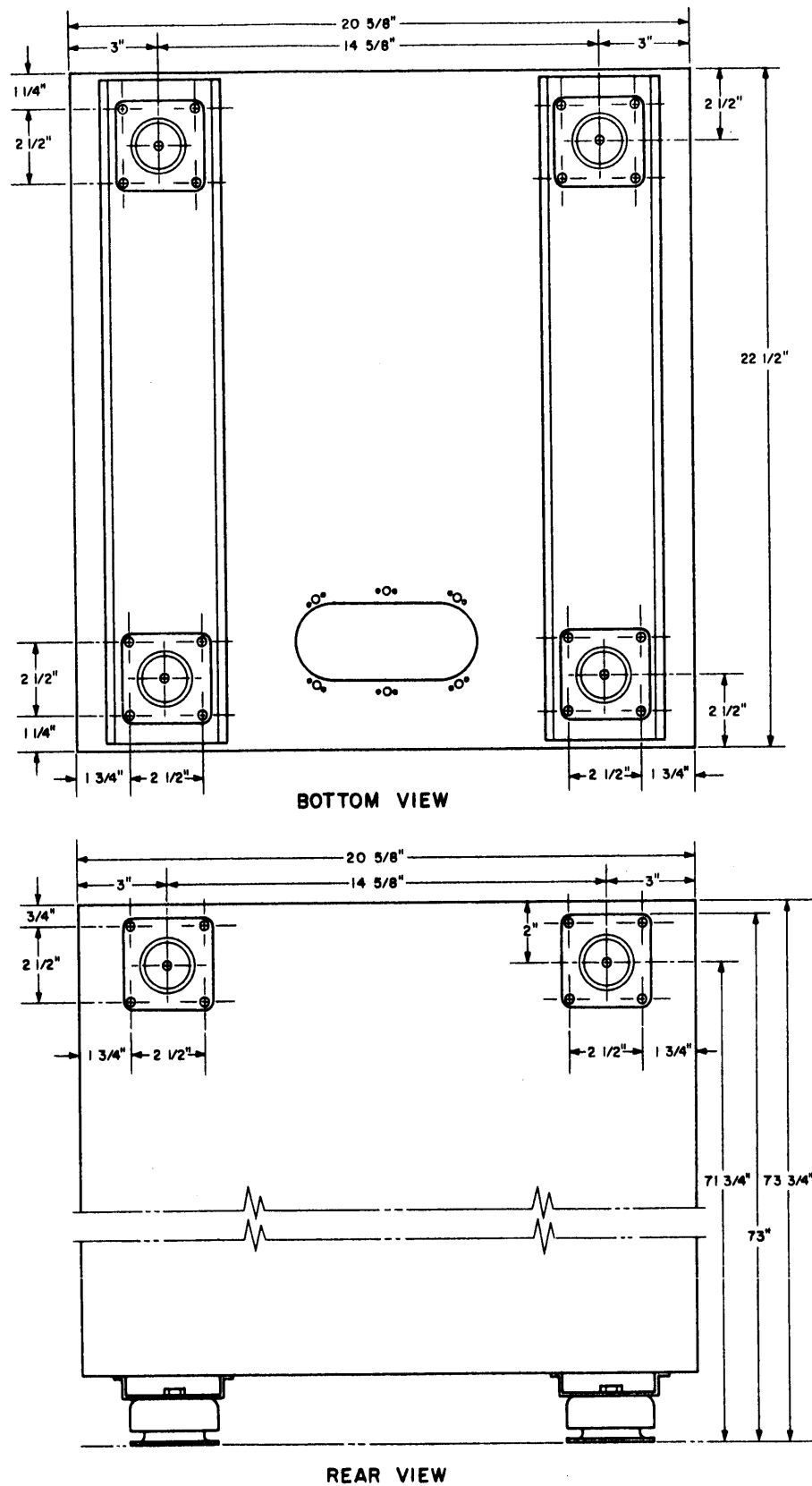


Figure VI-2. Dimensioned Installation View of RAK-9A1 Shock Mounted

AX-198 MOUNTED ON REAR OF CABINET J606, J607, 609 & E603 ARE MOUNTED ON BOTTOM OF AX-198.

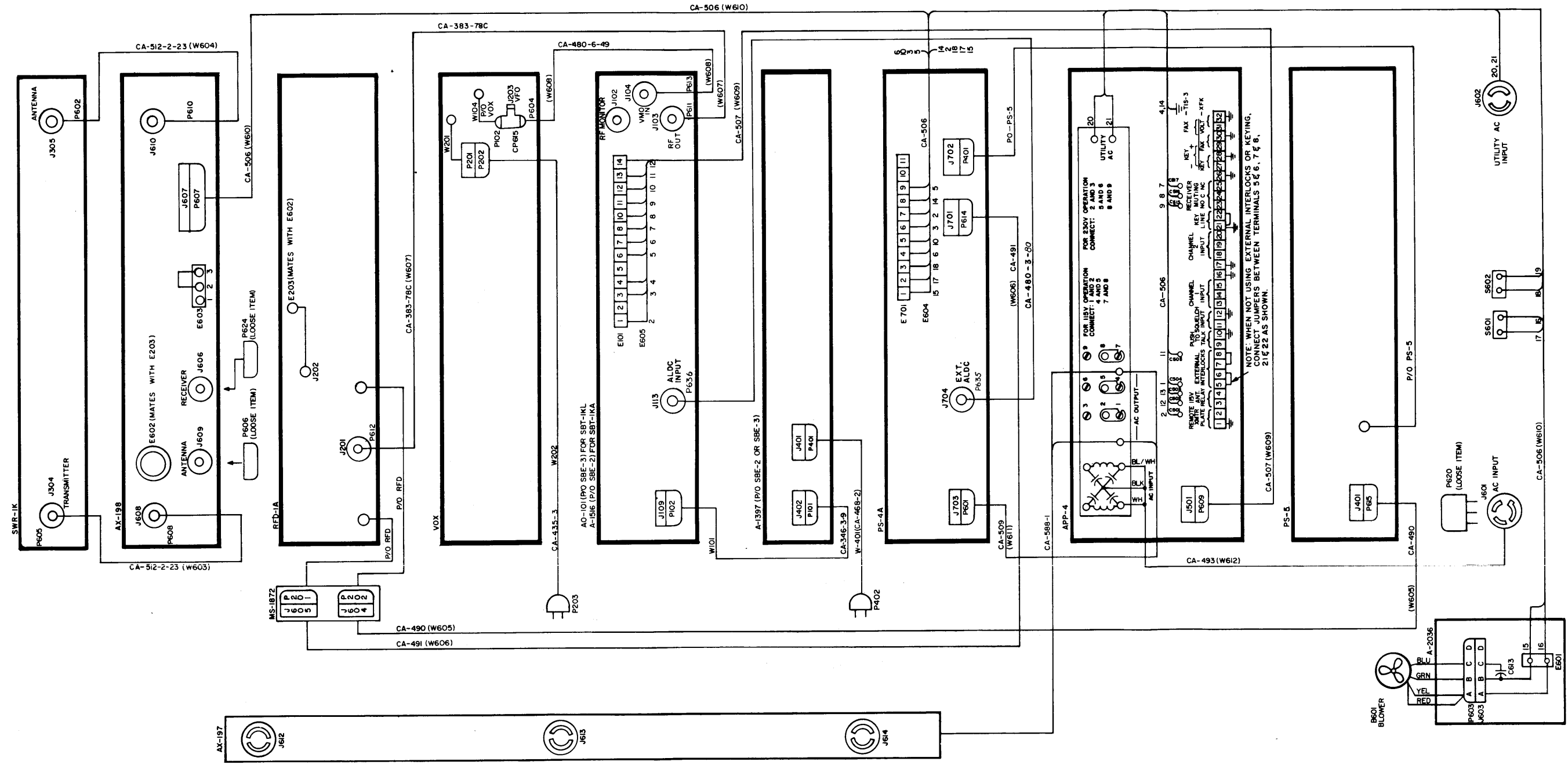
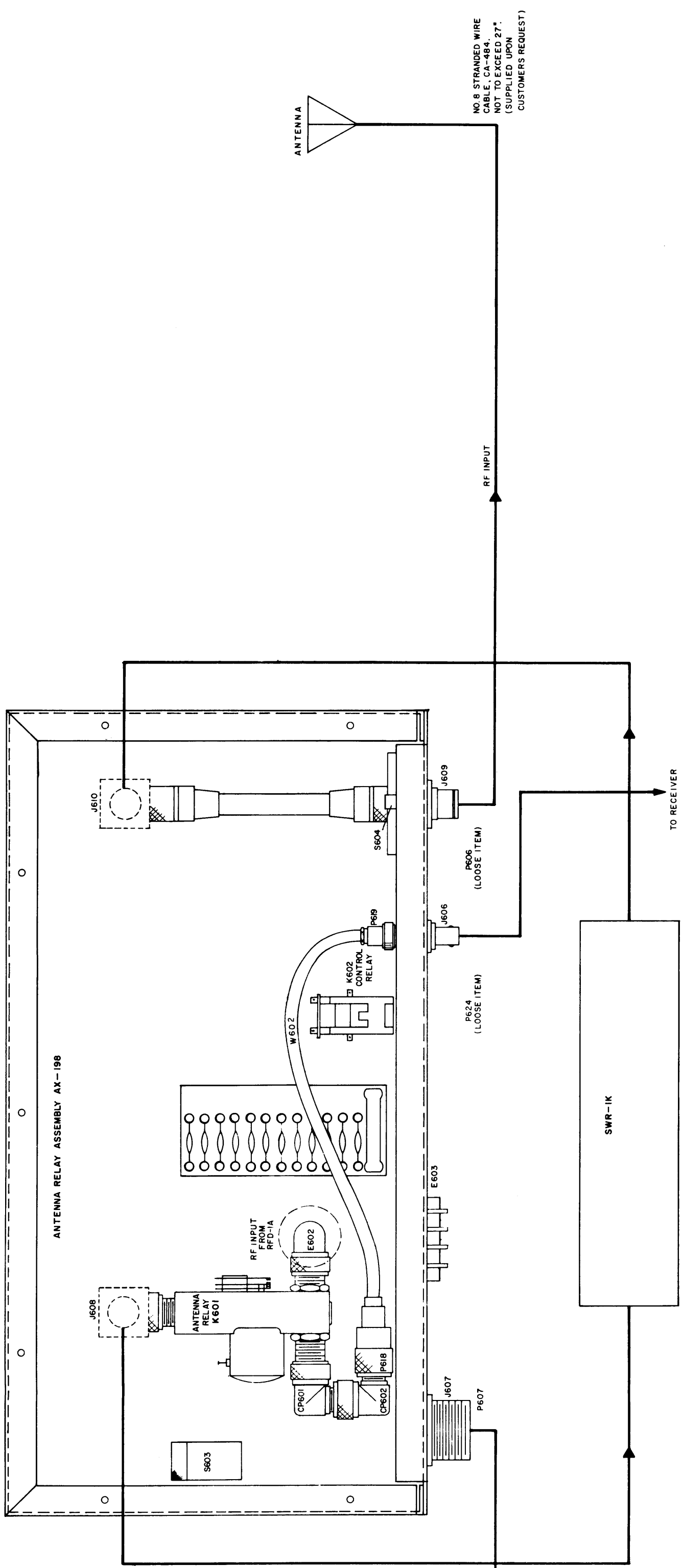
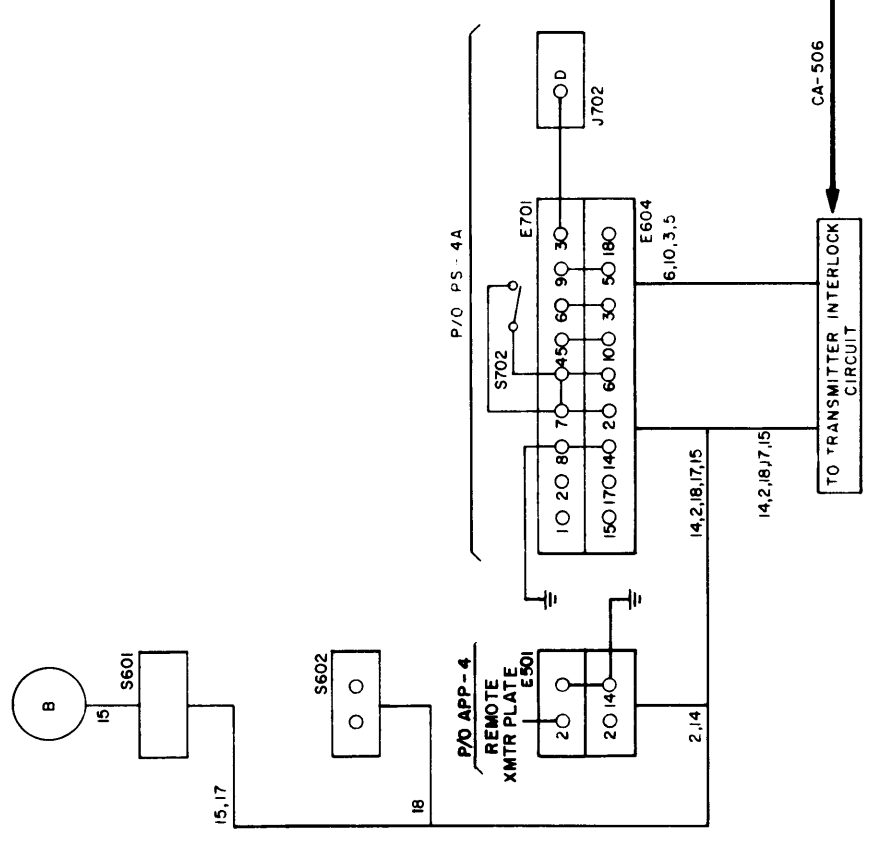
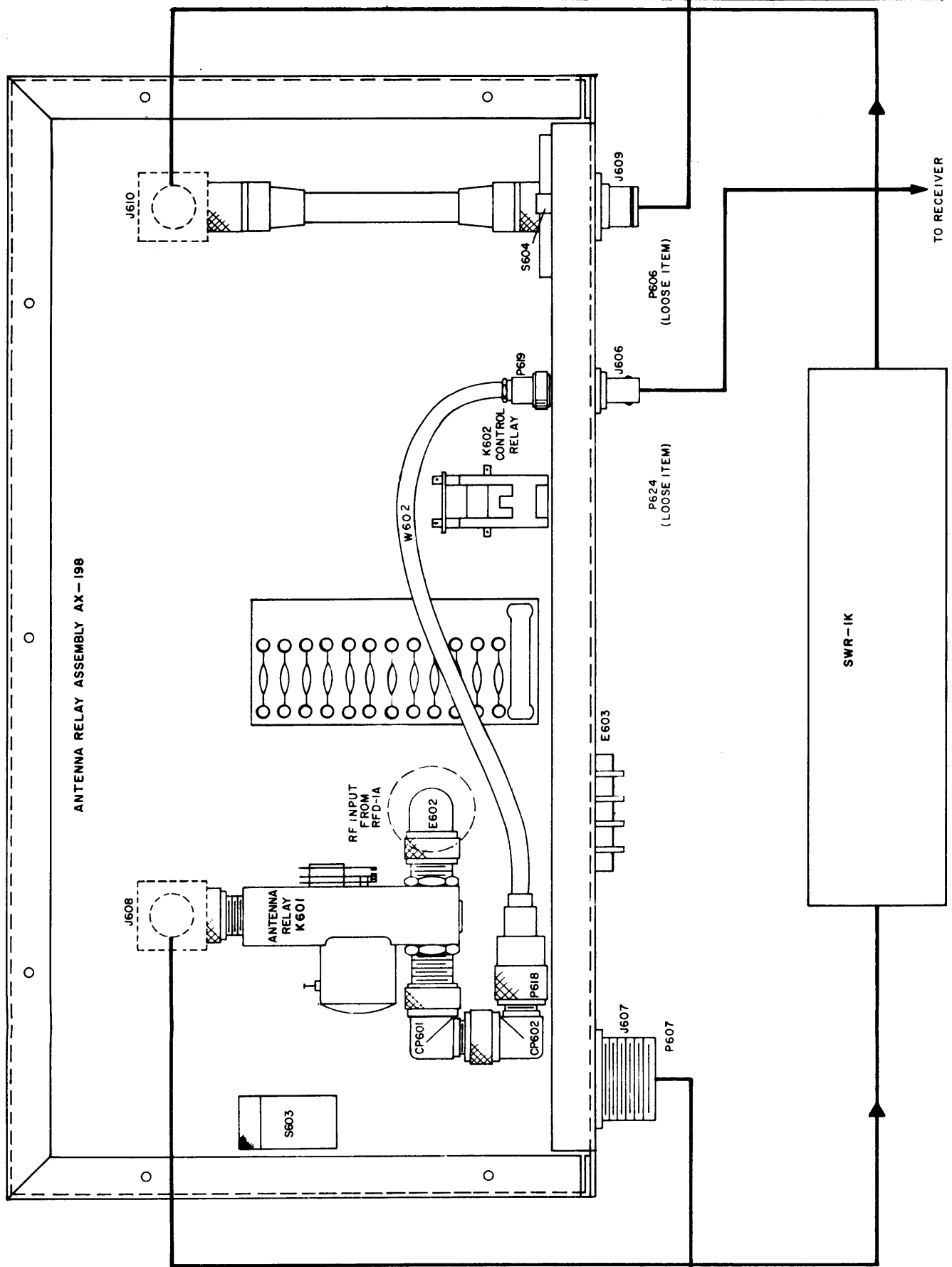


Figure VI-3. Cable Installation Diagram, SBT-1K(A)2



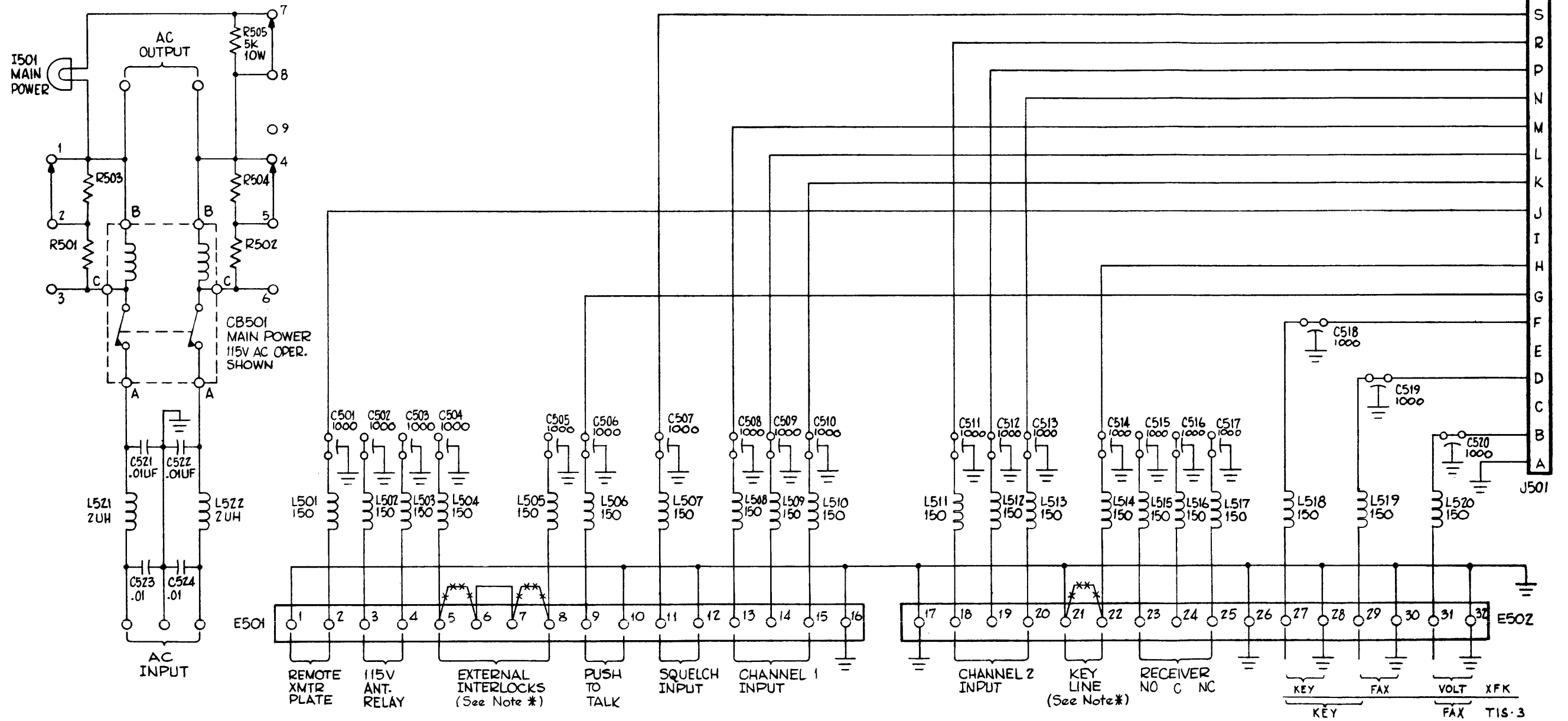
NO. 8 STRANDED WIRE
 CABLE, CA-484.
 NOT TO EXCEED 27"
 (SUPPLIED UPON
 CUSTOMERS REQUEST)

Figure VI-4. Partial Wiring Diagram
 Showing Interconnections of AX-198
 Assembly and Closely Associated Units



FOR 230VAC OPERATION OF CB-501

- 1- REMOVE STRAP MARKED → FROM TERMINAL 1, AND ATTACH TO TERMINAL 3.
- 2- " " " " " " " " 4, " " " " 6.
- 3- " " " " " " " " 7, " " " " 9.



UNLESS OTHERWISE SPECIFIED:

ALL CAPACITORS ARE IN MICRO-MICROFARADS.
ALL COILS ARE IN MILLIHENRIES.

Figure VI-5. Schematic Diagram of APP-4

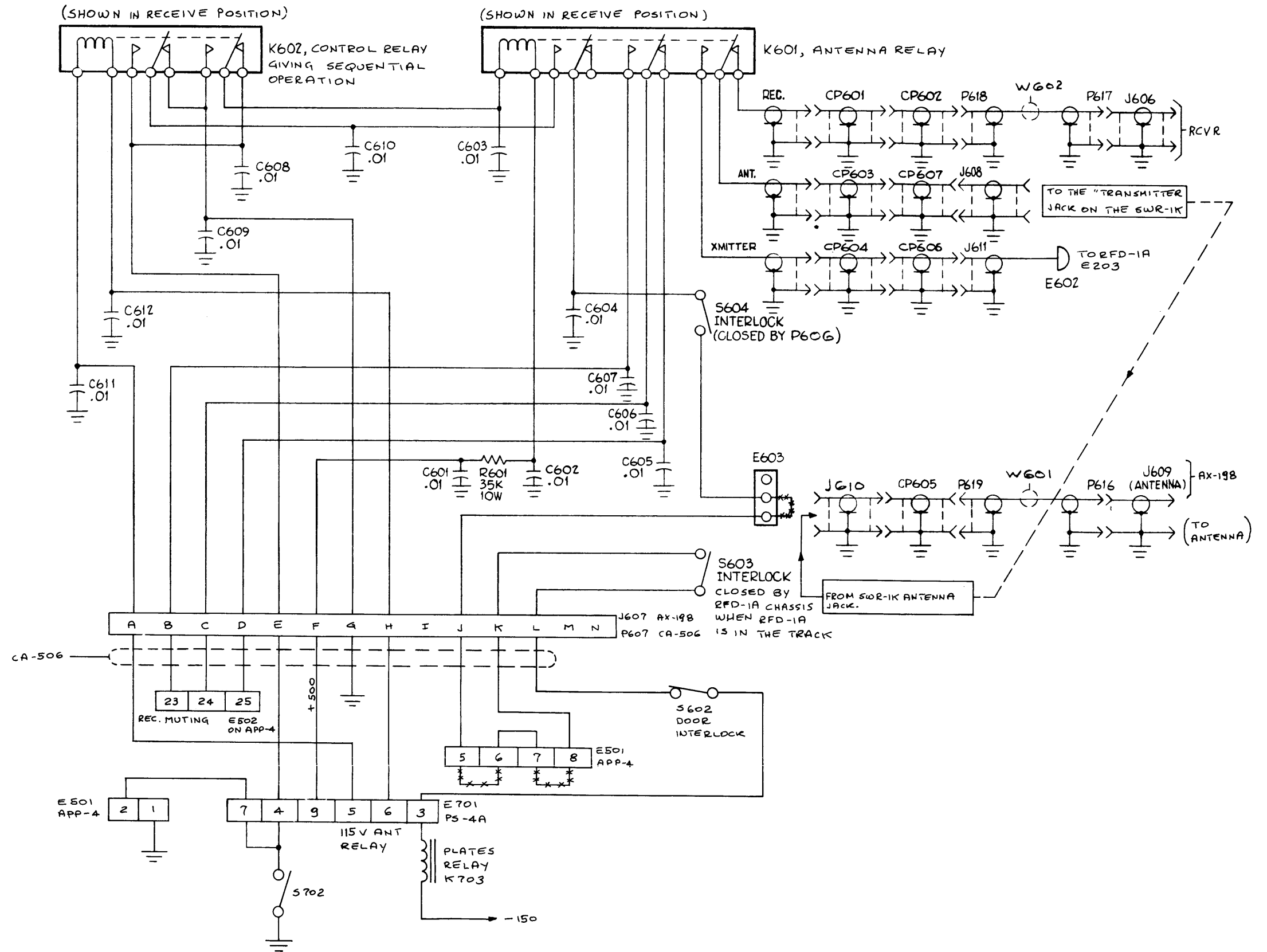


Figure VI-6. Schematic Diagram of AX-198

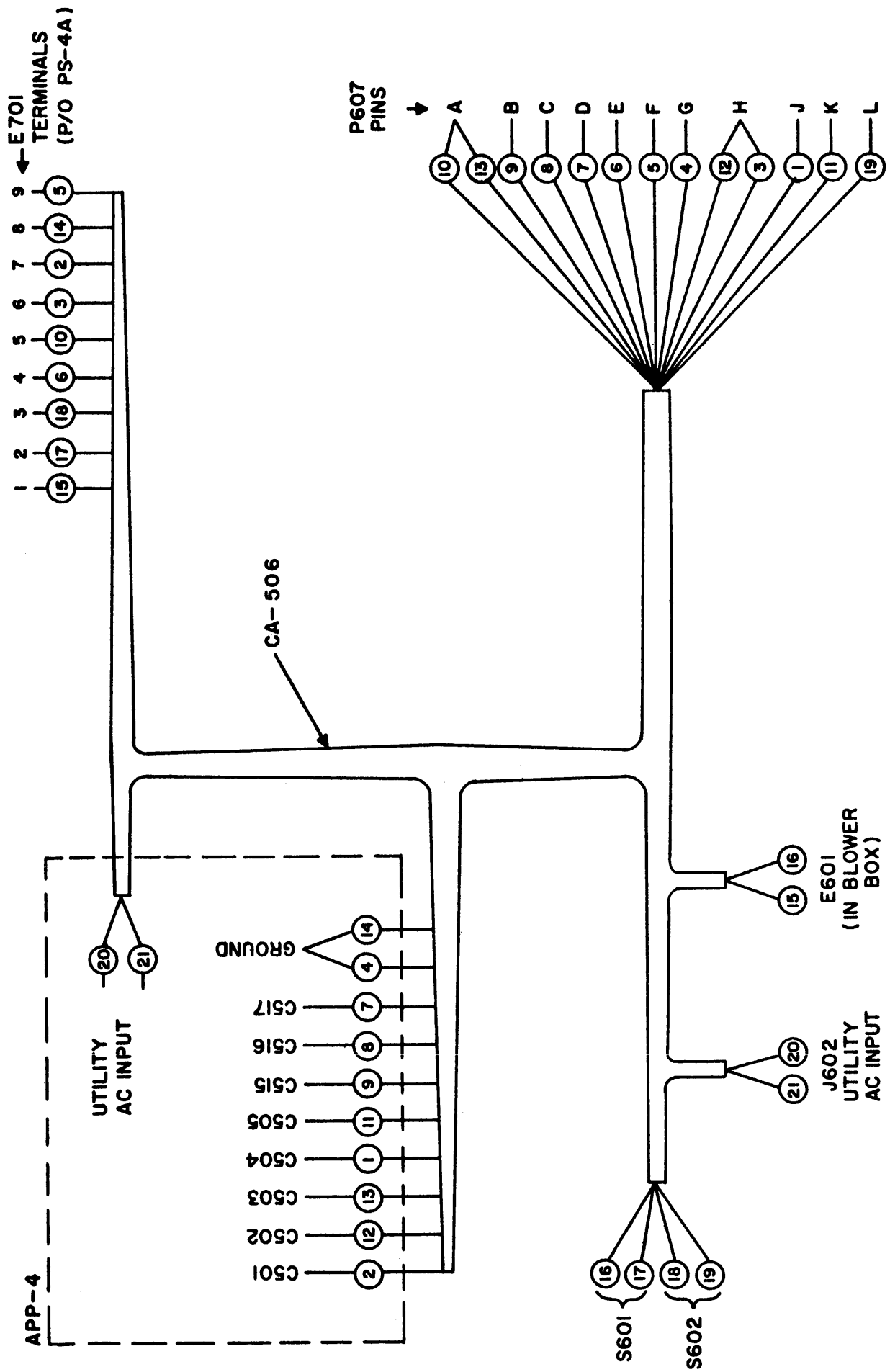


Figure VI-7. (Sheet 1 of 2). Cable Wiring Diagrams

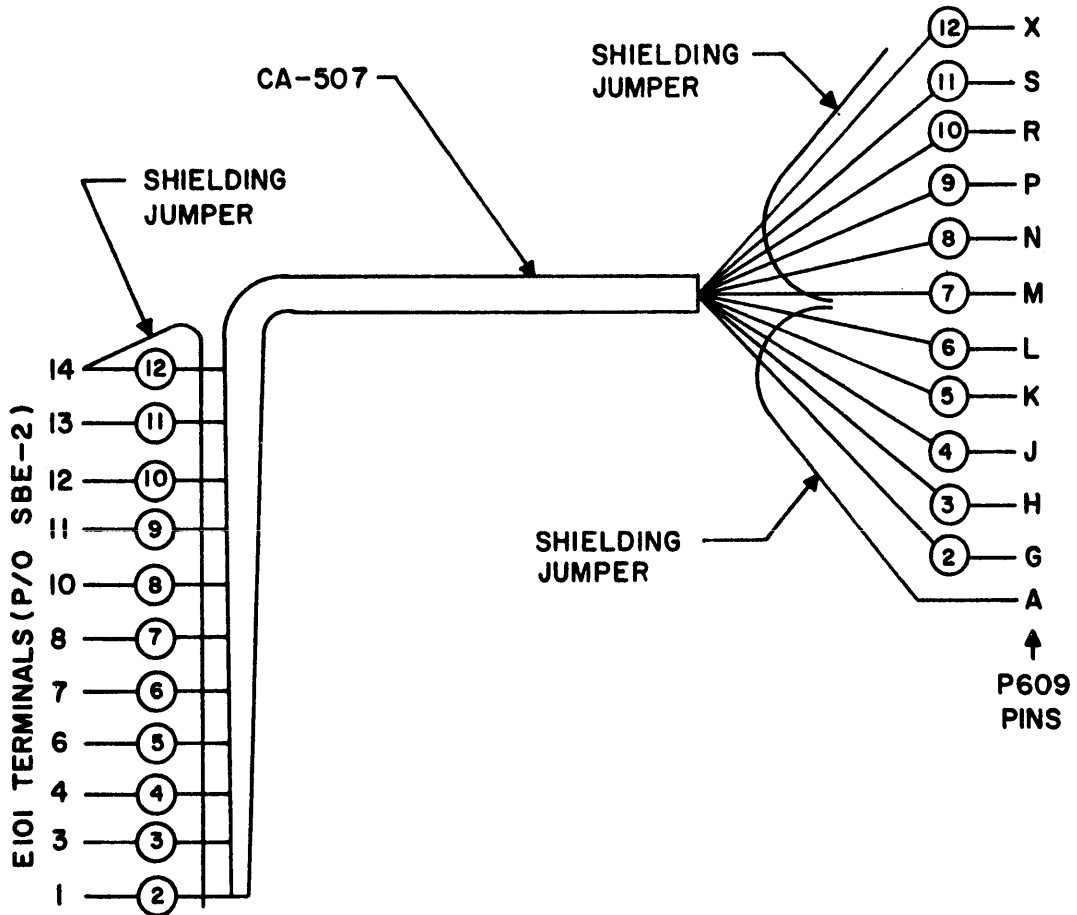
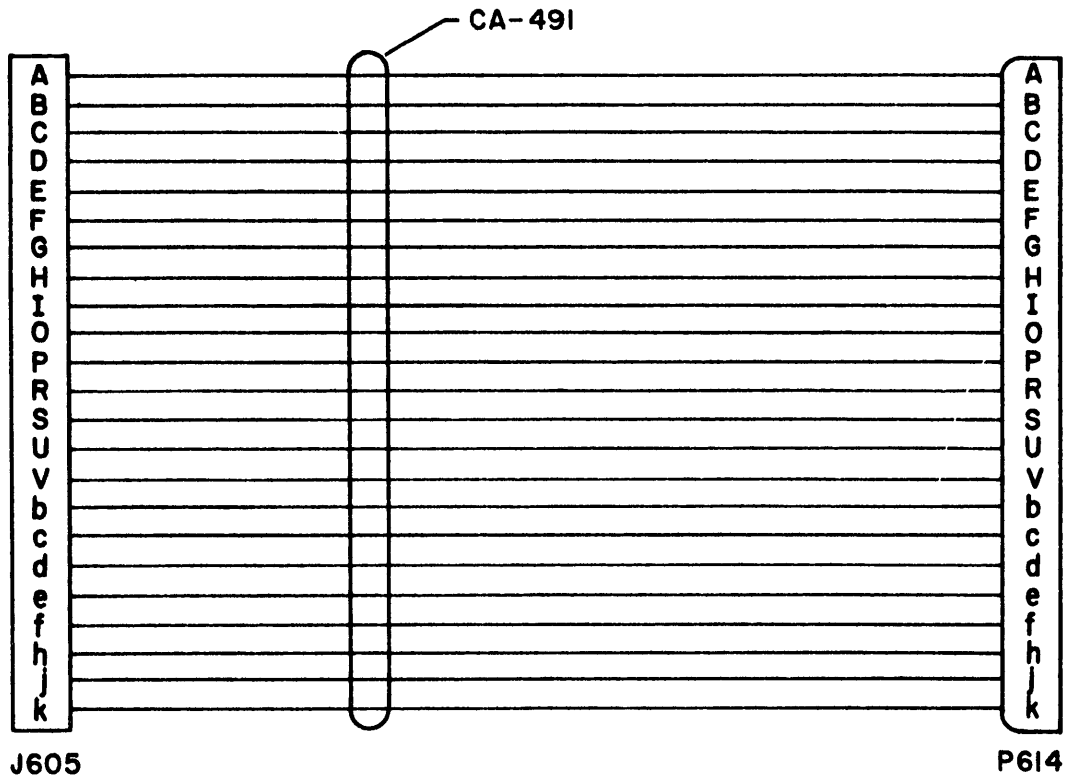


Figure VI-7. (Sheet 2 of 2). Cable Wiring Diagrams