

(UNCLASSIFIED)

ELECTRONICS FIELD CHANGE BULLETIN
NAVAL ELECTRONIC SYSTEMS COMMAND
WASHINGTON, D. C.

AN/FRT-39
AN/FRT-40
AN/FRT-62

TYPE (I) CLASS (A) OPERATIONAL CHANGE (X)
ESTIMATED MANHOURS () NON-OPERATIONAL CHANGE ()

Prepared by
(Technical Materiel Corporation)
(Contract N600 (63133-11-126)63002)

AUTHORIZATION NOTICE: Forces afloat or ashore shall accomplish this field change when authorized by Management office in Washington D. C.

EQUIPMENT AFFECTED: AN/FRT-39 B, C, D, E, F, G, H; AN/FRT-40 A, B, C, D, E, F; AN/FRT-62 A, B, C.

NOTE

AN/FRT-39 H (GPT 10KAT7) and AN/FRT-40F (GPT-40KEF) and all future models after serial number 19415 contain wiring to accept either Model C-7384/URT (KMCU) or TH-39A/UGT (TIS).

PURPOSE: This modification provides remote on/off control of the transmitter carrier. In addition, the unit provides an indication of transmitter status by means of signals to a display board located at the transmitter monitor control console or elsewhere at the transmitter site. In order to accomplish this modification, Tone Intelligence Unit Model TIS-3 is physically replaced by Transmitter Keyer Monitor Control Unit. Tone Intelligence Unit TIS-3 will be relocated to the CCL facilities at the transmitter site or to some other remote location.

PREVIOUS FIELD CHANGES: No previous field changes need be accomplished prior to the installation of this field change.

EFFECT ON NOMENCLATURE: None

IDENTIFICATION OF ACCOMPLISHMENT: The components of this modification are listed in the list of materials required. Figure 1 indicates the physical placement of the KMCU. Figure 2 illustrates the major assembly, the KMCU, in this modification.

LIST OF MATERIAL REQUIRED: Table 1 lists material supplied with the field change kit.

Table 1. Material supplied with the field change kit.

<u>ITEM</u>	<u>QTY.</u>	<u>PART NUMBER</u>	<u>DESCRIPTION</u>
1	1		DRILL BIT 9/64"
2	1		DRILL BIT 5/16"
3	1		DRILL BIT 3/8"
4	1		DRILL BIT NO. 36
5	1		TAP, 0632 UNC
6	1		PUNCH, CHASSIS, 11/16"
7	1		PUNCH, CHASSIS, 1-5/16"
8	1	TP131	STAMP, J1010
9	1	TP131	STAMP, J2708
10	1	TP131	STAMP, P3054
11	1	TP131	STAMP, E3001
12	1	TP131	STAMP, COM
13	1	TP131	STAMP, FAIL
14	1	TP131	STAMP, ON-AIR
15	1	TP131	STAMP, READY
16	1	CA1028	WIRING HARNESS, BRANCHED
17	1	CA1029	" " "
18	1	CA1030	" " "
19	1	CA1031	" " "
20	42"	RG174/U	CABLE RF, COAXIAL
21	60"	RG188/U	" "
22	9"	WL100-4	WIRE BUSS, SIZE 16
23	6"	WL100-7	" " " 22
24	18"	PX830-12-1	INSULATION, SLEEVING, SHRINK
25	1	TM100-8	TERMINAL STRIP
26	1	PX337-8	INSULATION
27	2	MS154-1	SADDLE PLATE
28	1	PL169	CONNECTOR, PLUG, COAXIAL
29	1	UG-492/U	ADAPTER, COAXIAL, FEED THRU
30	1	UG-274/U	" " "I"
31	1	LD1745/MS4267	COVER, TERMINAL STRIP
32	2	TE104-1	TERMINAL, LOCKING
33	7	CM20F102G	CAPACITOR, MICA
34	3	SCBP0440 BN5	SCREW, MACHINE
35	4	SCBP0440 BN6	" "
36	4	SCBP0440BN10	" "
37	2	SCBP0632 BN6	" "
38	9	LWEO4MRN	LOCKWASHER, EXTERNAL
39	2	LWEO6MRN	" "
40	11	NTH0440 BN6	NUT, HEX HEAD

(UNCLASSIFIED)

AN/FRT-39

AN/FRT-40

AN/FRT-62

Table 1. Material supplied with the field change kit (cont).

<u>ITEM</u>	<u>QTY</u>	<u>PART NUMBER</u>	<u>DESCRIPTION</u>
*41	1	C-7384/URT (KMCU-2)	KEYER, MONITOR CONTROL UNIT
42	1	CA581-1	CABLE, POWER
43	2	NP362-25	NAMEPLATE, MODIFICATION KIT 224
44	1	NP360-5	" " RFC-1A
45	1	NP360-6	" " CHG-2B
46	1	CU161	CLAMP, HOLD DOWN
47	1	CM15C200J	CAPACITOR, MICA, 20 uuf.
48	1	RC32GF471K	RESISTOR, COMP., 470 ohm, 1w.
49	1	RC20GF121K	RESISTOR, COMP., 120 ohm.
50	1	TP131	STAMP, 1/2
51	1	TP131	STAMP, 3/4
52	1	TP131	STAMP, 5/6
53	1	TP131	STAMP, 7/8
54	1	TP131	STAMP, C3019
55	1	TP131	STAMP, C3020
56	1	TP131	STAMP, C3021
57	1	TP131	STAMP, C3022
58	1	TP131	STAMP, C3023
59	1	TP131	STAMP, C3024
60	1	TP131	STAMP, C3026
61	1	TP131	STAMP, GND
*62	1	TP131	STAMP, ALARM
*63	1	TP131	STAMP, LTS
64	1	TP131	STAMP, 1
65	1	TP131	STAMP, 2
66	1	TP131	STAMP, 3
67	1	TP131	STAMP, 4
68	1	TP131	STAMP, 5
69	1	TP131	STAMP, 6
70	1	TP131	STAMP, 7
71	1	TP131	STAMP, 8
*72	25'		LACING CORD
*73	1	CA- 1223	WIRING HARNESS

NOTE

Of the above items, only those marked (*) are supplied with modification kits for the AN/FRT-39H transmitters. For other than AN/FRT-39H transmitters, all items less item 73 are supplied.

(UNCLASSIFIED)

AN/FRT-39
AN/FRT-40
AN/FRT-62

TOOLS AND TEST EQUIPMENT: Table 2 lists the tools required by the installing activity to perform this modification; not test equipment is required. Since these tools are non-specialized, they are not provided.

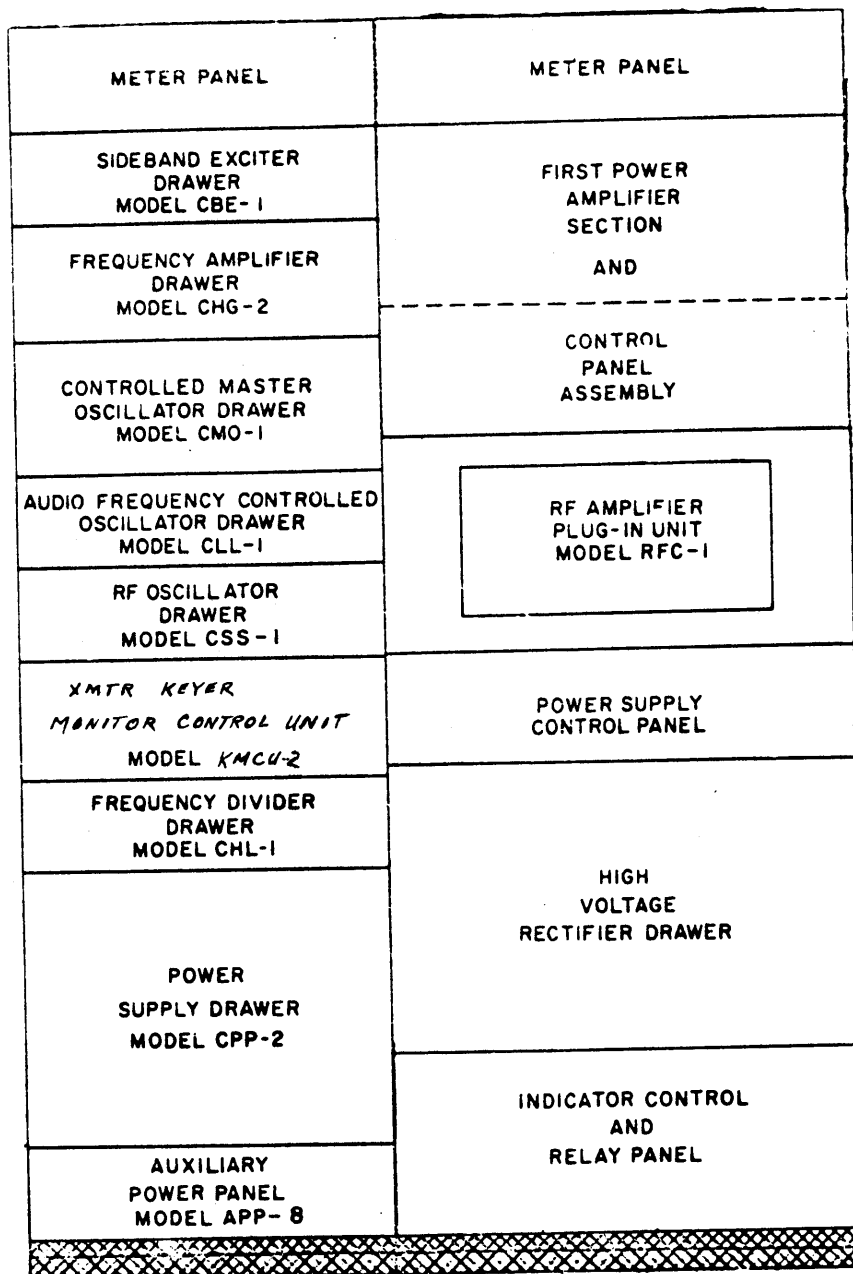
1. Screwdrivers, flat blade, assorted sizes.
2. Screwdrivers, Phillips, assorted sizes.
3. Soldering iron, (100 watt type), 2 feet solder, (rosin core).
4. ELECTRIC DRILL, 3/8" chuck capacity.
5. 6" Pliers, longnose.
6. 6" Pliers, diagonal.
7. Heat gun (for shrink tubing).
8. SCALE (ruler).
9. Wire stripper.
10. Crescent wrench.
11. Black paint.
12. Center punch & hammer.

PROCEDURE: The following procedure is for modifying the transmitter. Only steps 13 through 20 of this procedure should be followed to modify AN/FRT-39H transmitters. Steps 1 through 12 should be followed to modify all other applicable transmitters. Materials required for this procedure are listed in Table 1. Tools and test equipment required are listed in Table 2. Should further data or illustrative reference be required, refer to the appropriate equipment manual.

NOTE: Remove a-c power from the transmitter.

1. MODIFICATION OF 10-KW PA.

- (a) Remove rear shield of 10-kw PA.
- (b) Remove rear shield from V900 chassis.
- (c) Remove cover from r-f monitor board (located on right side wall of V900 chassis).
- (d) Remove resistors R902 and R903 from r-f monitor board.
- (e) Remove capacitor C910.
- (f) Solder item 48 (470 ohm, 1 watt resistor) in circuit to replace old R902.



-FIRST FRAME-

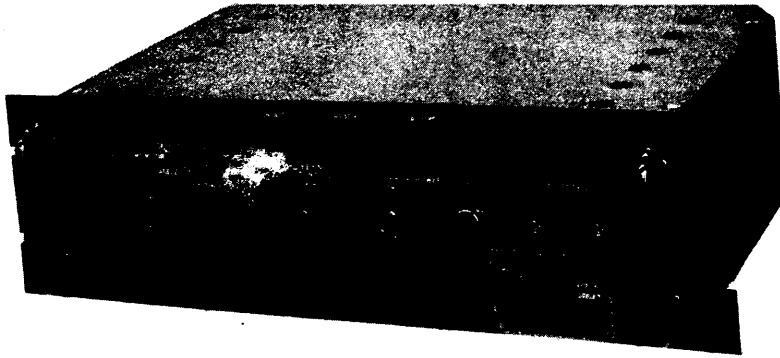
-SECOND FRAME-

-FRONT-

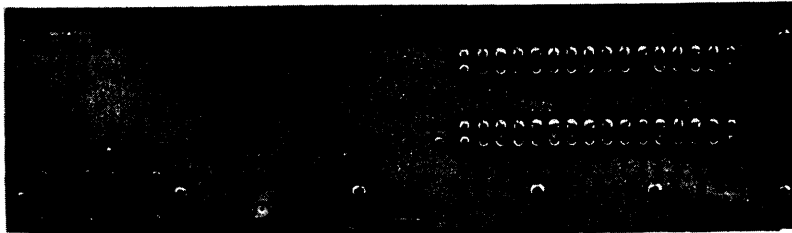
Figure 1

(UNCLASSIFIED)

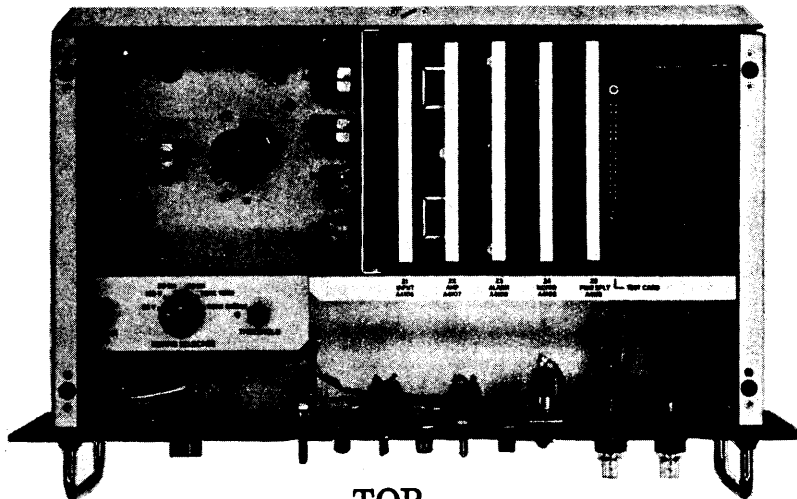
AN/FRT-39
AN/FRT-40
AN/FRT-62



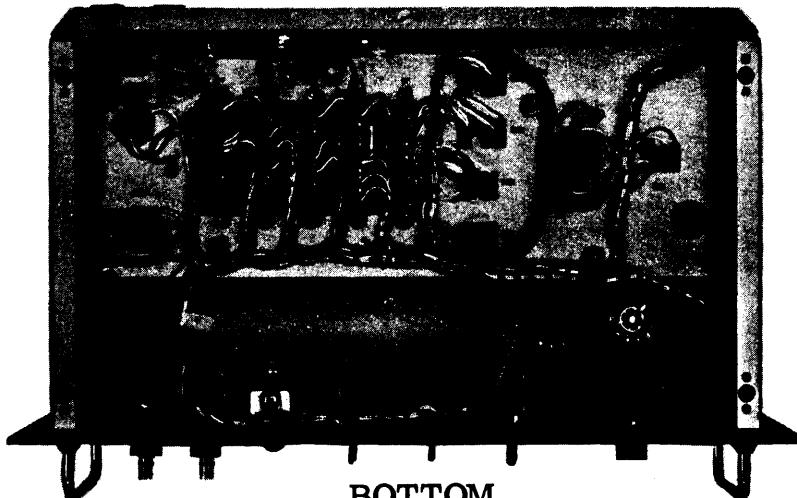
FRONT



REAR



TOP



BOTTOM

Figure 2

- (g) Solder item 49 (120 ohm resistor) in circuit to replace R903. New symbol designation is R917.
- (h) Solder item 47 (20 uuf mica capacitor) in parallel with capacitor C908. New symbol designation is C954.
- (i) Replace cover of r-f monitor board and both rear shields.

2. MODIFICATION OF THE RFC-1.

THIS MODIFICATION CHANGES THE MODEL NUMBER TO RFC-1A

- (a) Remove the RFC-1, IPA, and the AX-104 (IPA Power Supply) from the main frame. Remove the RFC-1 from the AX-104. Remove the dust covers from the RFC-1.
- (b) On the underside of the RFC-1, remove the screws securing the component board, A-1607. This is the board on which R202 is mounted. On the underside of the board, remove the ground lead on R202 and the jumper between R202 and C220. Solder new ground lead to C220. Using the RG-188/U, strip the cover 3". Cut a 1" piece of No. 12 shrink tubing and slip the tubing over RG-188. Remove the center conductor from the shield at the cover cut. Center the shrink tubing over the break and shrink. Solder the center conductor to R202 and ground the shield. Dress the RG-188/U to match the breakouts of the main cable. Lace the RG-188 to the main harness connected to P201. Secure the component board.
- (c) Open P201. Cut the RG-188/U to the same length as the other wires. Cut the cover back 1". Cut a 1" piece of No. 12 shrink tubing and slip on to the RG-188. Remove the center conductor from the shield. Cut two 1/2" pieces of No. 12 shrink tubing. Slip these on the center conductor and the shield. Solder the center conductor to pin H and the shield to pin J. Slip the shrink tubing over the pins and shrink. Position the shrink tubing to cover the break and shrink. Reassemble the plug.
- (d) Replace the covers.

This completes the modification of the RFC-1.

3. MODIFICATION OF THE AX-104 POWER SUPPLY.

- (a) Remove the dust covers from the AX-104.
- (b) Cut two 1" pieces and four 1/2" pieces of No. 12 shrink tubing. Slip a 1" piece of shrink tubing over the RG-188. Cut the cover back 1" and remove the center conductor from the shield. On the underside of the unit, use two 1/2" pieces of shrink tubing and slip over the center conductor and shield of the trimmed end of the RG-188/U. On J2001, solder the center conductor to pin H and the shield to pin J. Slip the tubing over the pins and shrink. Center the 1" piece of shrink tubing over the break and shrink. Lace the RG-188 along the harness to J2002. Trim the RG-188 to size and follow the above procedure to solder the center conductor to pin H and the shield to pin J.
- (c) Replace the dust covers and install the RFC-1A.

This completes the modification of the AX-104.

4. MODIFICATION OF CA-431, JUMPER CABLE BETWEEN THE AX-104 AND THE MAIN FRAME.

- (a) Remove CA-431 from the main frame.
- (b) Cut two 1" pieces and four 1/2" pieces of No. 12 shrink tubing. Open P1010 and P1011 of CA-431. Use the procedures above and trim the end of the RG-174/U. Solder the center conductor to pin H of one of the plugs. Lace the RG-174 along the cable and trim to length. Again, using the above procedures, trim and connect the RG-174/U to the same pin numbers.
- (c) Reassemble the plugs.

This completes the modification of CA-431.

Do not replace the units in the main frame.

5. MODIFICATION OF MS-3679, INTERFRAME SHIELD.

- (a) Mark MS-3679, using figure 3 for dimensions.
- (b) Using the 9/64" drill bit, 3/8" drill bit and the 1-5/16" chassis punch, modify MS-3679 as shown in figure 3.

(UNCLASSIFIED)

AN/FRT-39
AN/FRT-40
AN/FRT-62

- (c) Using the stamps provided, stamp J1010 on both sides of the shield and P3054 on the auxiliary frame side. Refer to step 24 for stamping instructions.

This completes the modification of MS-3679.

6. INSTALLATION OF CA-1029, MAIN FRAME.

- (a) Starting from the rear of the main frame, near the J1010 mounting hole in MS-3679, reroute the loose end of CA-1029 along the main cable, through all grommets and clamps, to the breakout for J1001. Align the RG-174/U breakout of CA-1029 with the breakout for J1001 on the main harness.

Using two 1/2" pieces of No. 12 shrink tubing over the leads, solder the center conductor to pin H and the shield to pin J. Slide the tubing over the pins and shrink. Lace the RG-174 to the main breakout. Route the second breakout of CA-1029 along the main cable to the Tune-Operate switch on the control panel. Lace the two together. Solder the violet wire to the violet wire on the switch. Solder the white/violet wire to the white/violet wire on the switch. Lace the two cables together from J1001 to J1010. Leave enough slack near J1010 to allow free positioning into the mounting hole. Using 4-3/8" 4-40 screws, lockwashers and nuts provided, mount J1010 to MS-3679.

This completes the modification of the main frame.

Reconnect CA-431, and insert and reconnect the RFC-1A and AX-104 drawer.

7. MODIFICATION OF MS-2469, CENTER SHIELD.

- (a) Remove all the units from the front of the auxiliary frame.
- (b) Remove jumper wires between terminals 9 and 13 and between terminals 8 and 12; change lead from terminal 13 to 9, and terminal 12 to 8 on the fanning strip going to E3000, on CA-826 or CA-571, whichever is applicable.

NOTE

To accomplish this step, unlace part of the cable covering. After finishing this step, cut off excess cable cover and relace.

- (c) Mark MS-2469, using figure 4 for dimensions. Using the 9/64", 5/16" and the No. 36 drill bits and the 0632 UNC tap, modify MS-2469 as shown in figure 4. Using the terminal strip, insulation paper, 2 saddle plates, 4-5/8" 4-40 screws, 4 nuts, 2 lock washers and 2 ground lugs (item 32), mount the terminal strip identically as E3000 and E3002 position on the center shield. Remove J3002 from the center shield assembly. Replace with the new jack supplied (UG-492/U, item 29). Mount the UG-274/U "T" to the feed thru on the equipment side. Cut the removed J3002 (JJ-172) from the cable. Connect the PL-169 to this cable. Connect this PL-169 to the "T" on the equipment side of the center shield; solder the No. 16 buss wire to the ground lugs as is done on the other strips. Using the stamps provided, stamp the center shield as shown in figure 5. Refer to step 21 for stamping instructions. To seven lugs of the strip, running consecutively right to left from No. 14 of E3000, connect the 1000 mmfd capacitors. Connect the other end of the capacitors to the ground buss as is done on the other strips. To the eighth lug, connect a length of No. 22 buss wire to the ground buss. Position the connections on the terminal strip lugs to leave enough clearance to connect the cable in a following step.

This completes the modification of the center shield.

8. INSTALLATION OF CA-1030, AUXILIARY FRAME, REAR.

- (a) Connect P3054 of CA-1030 to J1010 on the side shield. Route and lace CA-1030 along the main harness to the fanning strip for E3000. Connect the fanning strip of CA-1030 to E3001. Using two 3/8" 6-32 screws and lockwashers, secure the fanning strip cover, MS-4258, to the center shield. Remove the jumper across the CMO key line, if present.

This completes the modification of the auxiliary frame.

9. INSTALLATION OF CA-1031, AUXILIARY FRAME, FRONT.

- (a) Align the center shield breakout of CA-1031 with the center shield breakout of the main cable. Lace the two center shield breakouts together. Connect and solder the leads as shown in figure 6. Along the main cable, lace the KMCU breakout to the cable as far as the TIS breakout. Do not lace the KMCU and TIS breakouts. Lace the CHG breakout along the main cable and the CHG original breakout. Leave enough slack at the plug to allow free movement during connection.

This completes the modification of the auxiliary frame, front.

10. MODIFICATION OF THE CHG-2A.

THIS MODIFICATION CHANGES THE MODEL NUMBER TO CHG-2B.

- (a) Remove dust covers from the CHG.
- (b) Mark the main chassis as shown in figure 7. Using the 9/64", 3/8" drill bits and the 11/16" punch, modify the chassis as shown in figure 7. Use extreme care during this portion as the internal wiring is in close proximity to the holes. Using the stamp provided, stamp J2708 on both sides of the chassis. Refer to step 24 for stamping instructions.
- (c) Using three 5/16" 4-40 screws, nuts and lockwashers, mount the JJ-119-2 of CA-1028 internally and CU161 externally. Route the cable along the main harness and lace. Connect the orange wire to the orange wire on C2773. Route and lace the white/orange wire under the tube and along the main harness to the B+ switch. Connect the white/orange wire to the junction of the switch and the coil L2101.
- (d) Replace the dust covers.

This completes the modification of all the units.

11. Replace all units in the auxiliary frame with the exception that the KMCU-2 replaces the TIS-3A. The fanning strip of the original cable now goes to TB-101 of the KMCU-2.

No modification is necessary on this breakout.

12. Apply Kit Modification Nameplate to the AX-104 and the Relay Panel cover. Apply the RFC-1A and CHG-2B Modification Nameplates to the appropriate equipments.

Each of the nameplates must be immersed in water for approximately 1 minute in order to soften the adhesive. A protective paper backing is provided over the adhesive that must be removed.

NOTE

Steps 13 through 20 of this procedure apply only to modification of AN/FRT-39H transmitters. For all other transmitters, proceed to step 21.

13. Remove Tone Intelligence Unit TIS, Divider Chain CHL, and Power Supply CPP-2 from auxiliary frame.

(UNCLASSIFIED)

AN/FRT-39

AN/FRT-40

AN/FRT-62

14. Using item 72, lace item 19 along cable W3001, starting at fanning strip TB-102. Make sure that blue wire of item 19 is long enough to connect to terminal 14 of the fanning strip. Lacing should end below terminals 12, 13 and 14 of terminal board E3000 on center shield.
15. Unsolder wire from terminal 9 of fanning strip TB-102; solder this wire to terminal 7. Unsolder wire from terminal 11 of the fanning strip and solder it to terminal 9. Unsolder wire from terminal 12 of the fanning strip and solder it to terminal 10. Unsolder the braid shields from terminal 14 of the fanning strip and solder them to terminal 8.
16. Solder brown wire of item 19 to terminal 12 of fanning strip TB-102. Solder yellow wire of item 19 to terminal 13 of fanning strip. Solder blue wire of item 19 to terminal 14 of fanning strip.
17. Remove jumper wires connected between terminals 12 and 8, 13 and 9, and 14 and 10 of terminal board E3000 on center shield.
18. Solder brown wire of item 19 to terminal 12 of E3000; solder yellow wire of item 19 to terminal 13 of E3000; solder blue wire of item 19 to terminal 14 of E3000.
19. Remove markings on rear of center shield above terminals 12, 13 and 14 of E3000. Using items 12, 61 and 62, mark rear of center shield above terminals 12, 13 and 14 of E3000 as shown in figure 5.
20. Replace Power Supply CPP-2 and Divider Chain CHL in auxiliary frame. Install Keyer-Monitor-Control unit KMCU (item 41) in auxiliary frame at position previously occupied by Tone Intelligence Unit TIS. The fanning strip previously connected to the TIS is connected to TB-101 of the KMCU-2.
21. One side of the 24 vdc (or other voltage source used to operate the external indicators via the contacts of the KMCU-2 relays) can be connected to terminal 1 of E3001 to remotely display the transmitter's operational status.
22. Connect a-c power source to transmitter. Start and tune transmitter as described in the appropriate operator's manual as modified by temporary change (T4) of this field change bulletin.

23. Checkout Procedure.

- (a) Upon application of high voltage and before excitation is applied, READY lamp of KMCU should light.
- (b) Disconnect exciter at J1005, and drive transmitter with r-f signal generator; red FAILURE lamp of KMCU should flash on. Disconnect r-f signal generator, and replace exciter connection.
- (c) When keying is applied and transmitter is operating normally, ON AIR lamp should light.

24. Method of Stamping Equipment.

- (a) Using a paint brush or roller, put a thin coat of black paint on a piece of cardboard, glass or sheet metal. Transfer paint from this smooth surface onto the rubber stamps provided in this modification kit. Stamp metal parts of transmitter as previously described.

(UNCLASSIFIED)

AN/FRT-39
AN/FRT-40
AN/FRT-62

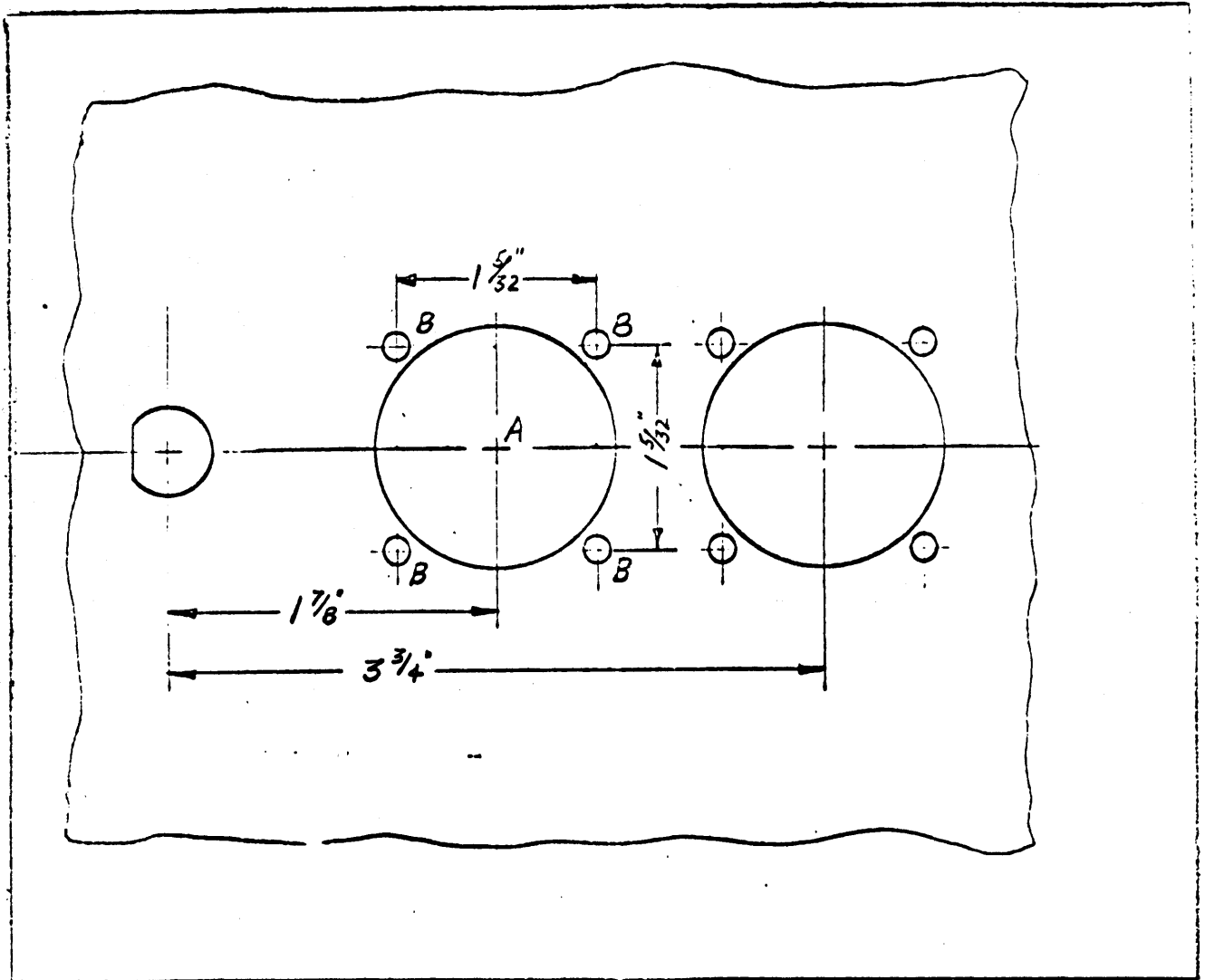
ROUTINE INSTRUCTIONS.

1. Corrections to publications and charts. The applicable technical manual shall be corrected in accordance with the following instructions:
 - (a) Maintenance Support Activities shall make the corrections immediately but shall keep the superseded data in the book for support of equipments that have not been modified. Holders of equipment shall not make these corrections or replacements until after the field change has been accomplished.
 - (b) Correct Operator's Manual (IN-317) for GPT-10K Transmitter, Operator's Manual (IN-319) for GPT-40K Transmitter, Maintenance Manual (IN-316) for GPT-10K Transmitter, Maintenance Manual (IN-320) for GPT-40K Transmitter, Technical Manual (IN-220) for Sideband Generator, Model SBG-1/2, and Technical Manual (IN-244) for Frequency Amplifier, Model CHG-2A in accordance with temporary correction T-4.
 - (c) This field change does not affect any other publications, plans or charts.
2. Record of Accomplishment. Personnel making this field change shall record the completion date of the change on the Electronic Equipment History Card, NAVSHIPS 536, and on the Record of Field Changes Card, NAVSHIPS 537.
3. Disposition of Replaced Material. Parts removed for the accomplishment of field change shall be retained as pre-expended material for maintenance support of other transmitters not modified.
4. Disposition of Field Change Bulletin. Maintenance Support Activities shall maintain a library copy of this field change bulletin. Holders of equipment shall not destroy this field change bulletin until the field change has been accomplished, the equipment tested, and the applicable manuals, drawings, charts, and identification plates have been corrected or replaced.
5. Upon completion of field change, report by marking up field change bulletin and identifying all errors, omissions or corrections and forward under covering letter directly to Code 042 with copy of letter only to Code 05111A, Naval Electronic Systems Command, Bailey's Crossroads. Virginia 22041.

(UNCLASSIFIED)

AN/FRT-39
AN/FRT-40
AN/FRT-62

FIGURE 3



A - $1\frac{5}{16}$ " DIA. 1 REQ.
B - $\frac{9}{16}$ " DIA. 4 REQ.

MODIFICATION OF MS3679

(UNCLASSIFIED)

AN/FRT-39
AN/FRT-40
AN/FRT-62

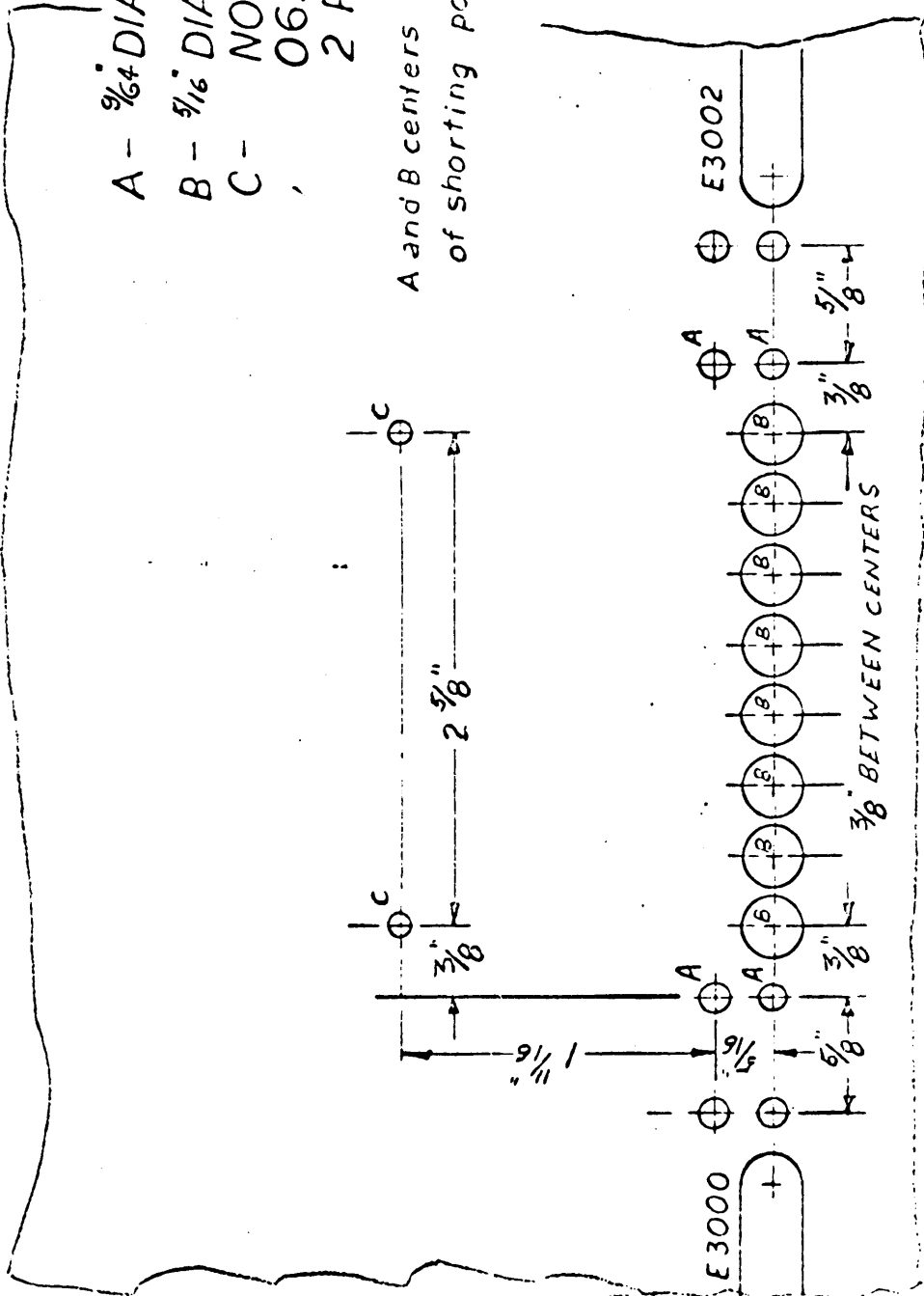
FIGURE 4

A - $\frac{3}{64}$ " DIA. 4 REQ.

B - $\frac{5}{16}$ " DIA. 8 REQ.

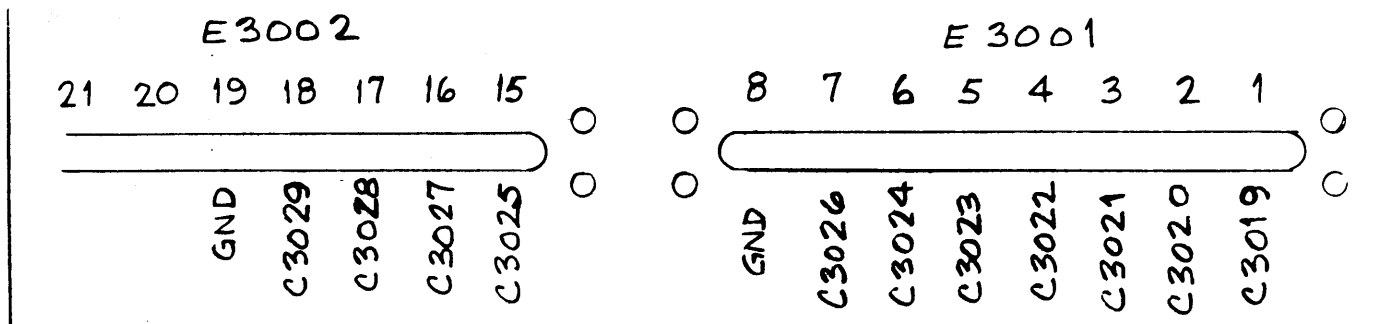
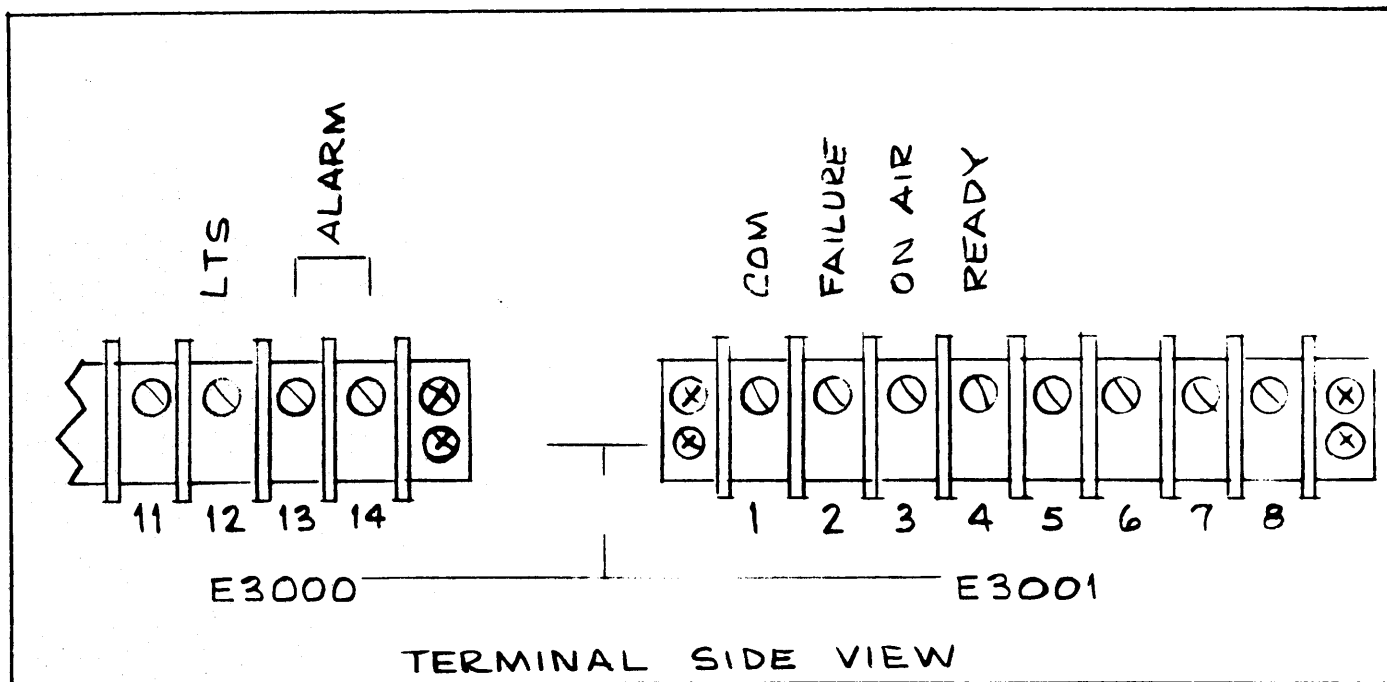
C - NO. 36 BIT
0632 UNC TAP
2 REQ.

A and B centers critical because
of shorting possibility.



MODIFICATION OF MS 2469

FIGURE 5



EQUIPMENT SIDE VIEW

LETTERING MS 2469

FIGURE 6

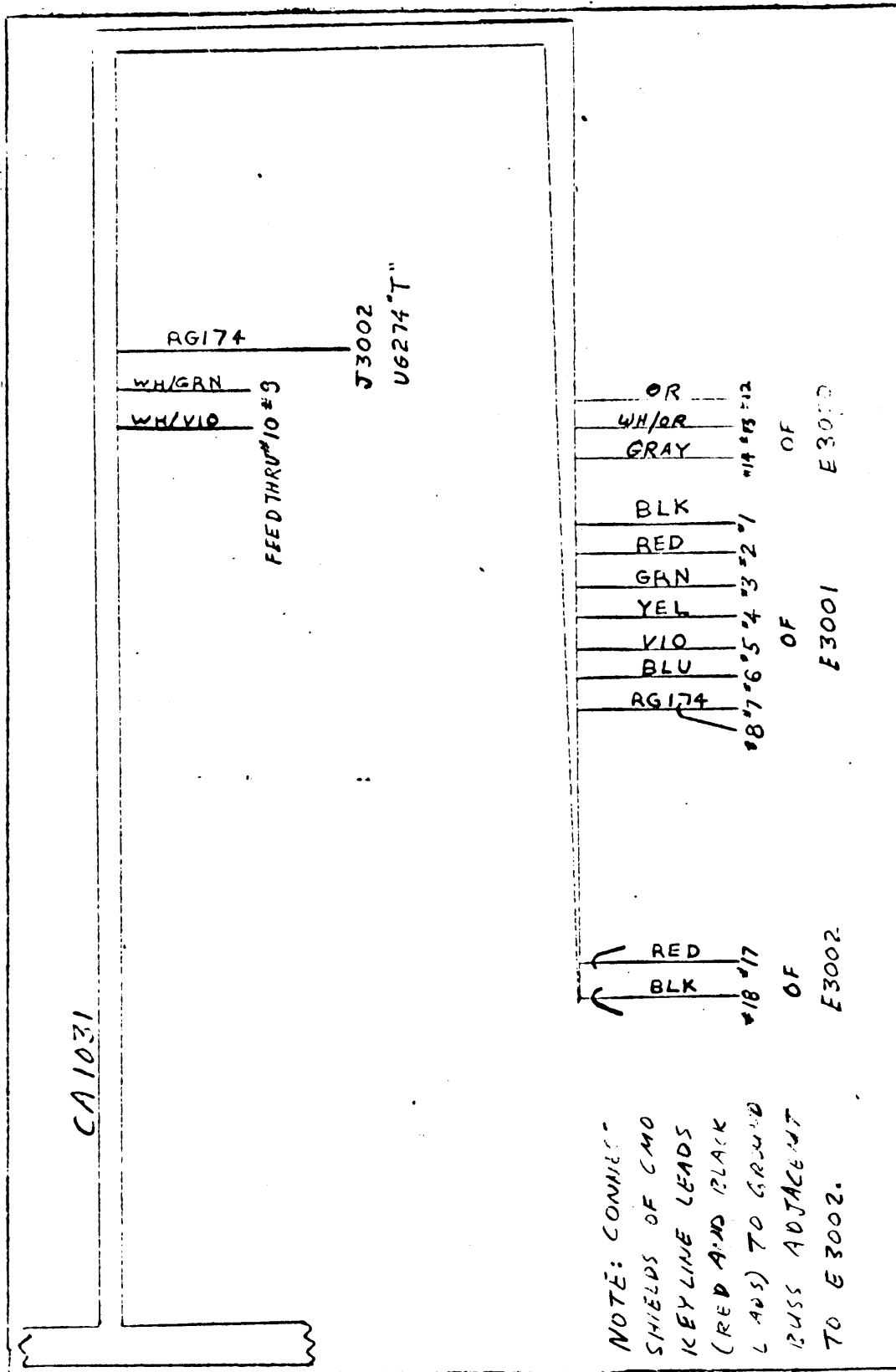
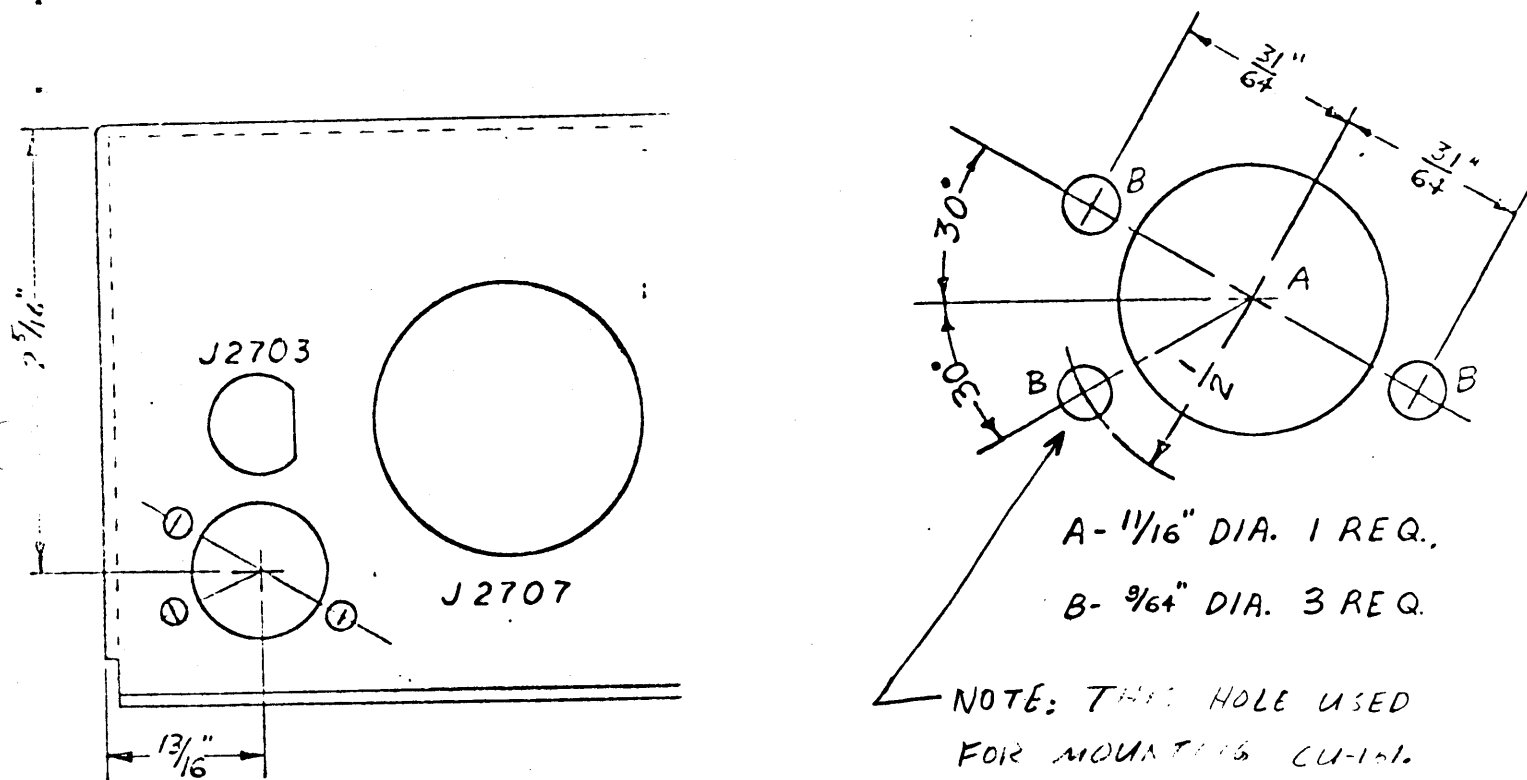
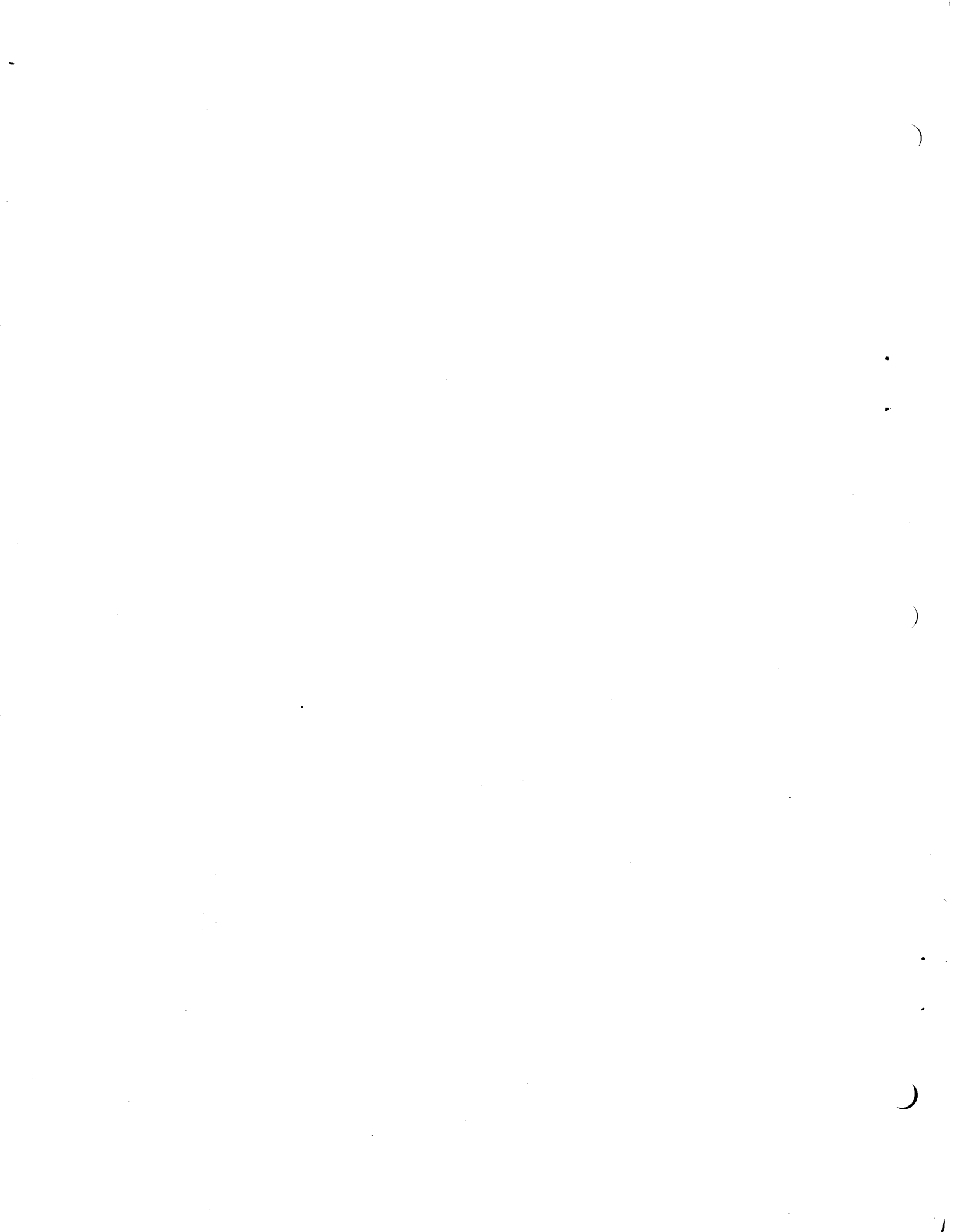


FIGURE 7



MODIFICATION OF CHG-2A



T-4 AN/FRT-39
AN/FRT-40
AN/FRT-62

(UNCLASSIFIED)

JUNE 1965
Revised FEB. 1966

TEMPORARY CORRECTION TO TECHNICAL MANUAL FOR
RADIO TRANSMITTING SETS
AN/FRT-39, AN/FRT-40, and AN/FRT-62

This temporary correction revised the AN/FRT-39, -40, and -62 manuals to reflect equipment modification as a result of the KMCU-2 field change. The purpose of this field change is to provide remote on/off control of the transmitter carrier. In addition, this field change provides an indication of transmitter status by means of signals to a display board located at the CCL facilities or elsewhere at the transmitter site.

When this change is included in the manual, the manual shall cover the equipment as though the KMCU-2 field change had been accomplished on the equipment. This correction does not supersede any other corrections or changes.

Maintenance Support Activities shall make this correction in the technical manual immediately but shall keep the superseded data intact for support of equipments that have not been modified.

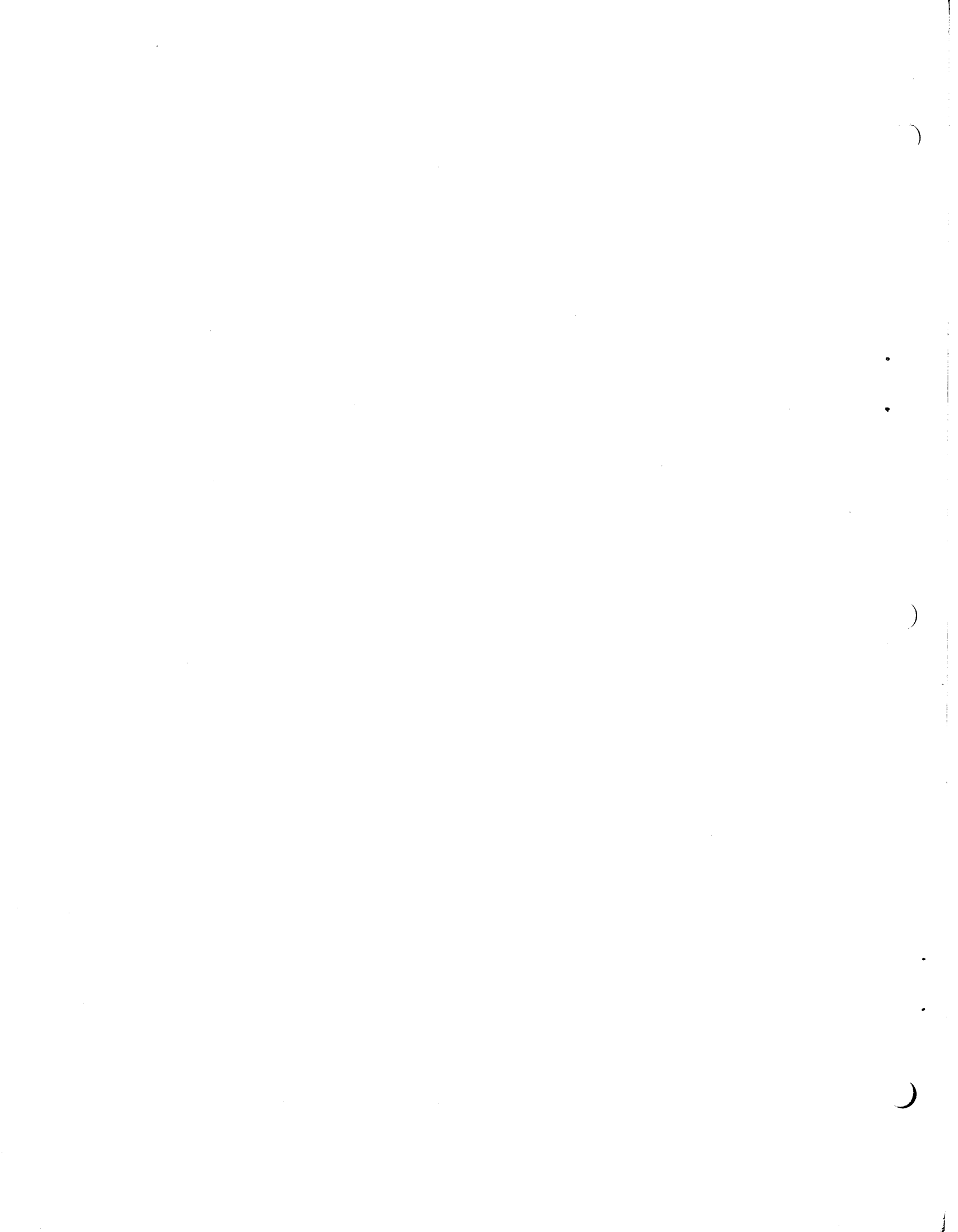
Holders of equipment accompanied by technical manuals shall not make this correction in the manual until accomplishment of the field change.

Make the following corrections. Insert these temporary corrections in the technical manual immediately after the front cover and preceding T-3.

Modification of the AN/FRT-39, AN/FRT-40, or AN/FRT-62 transmitters to include Transmitter Keyer-Monitor-Control Unit, Model KMCU-2 necessitates changes and/or additions to the appropriate instruction manuals as indicated in paragraphs 1, 2 and 3 below. In addition to the changes given below, the instruction manual for Tone Intelligence Unit, Model TIS-3 should be removed from Volume 1S (Sideband Generator, Model SBG) and should be replaced by the KMCU-2 instruction manual.

NOTE

The KMCU-2 instruction manual is a preliminary document. The final printed manual will be provided (when it is available) with the KMCU-2 modification kit.



T-4 AN/FRT-39
AN/FRT-40
AN/FRT-62

(UNCLASSIFIED)

JUNE 1965
Revised FEB. 1963

1. OPERATOR'S MANUAL. Section 3 of the operator's manual should be amended in accordance with the following information:

(a) Start the transmitter as described in the applicable manual.

(b) Before tuning the exciter on carrier as outlined in paragraph 3-4, set KMCU-1 controls as indicated below:

<u>CONTROL</u>	<u>POSITION</u>
POWER switch	ON
KEYING SELECTOR	To correspond with keying source.
CARRIER	ON (switch is self-locking in this position).

NOTE

In order for the KMCU-2 to perform its intended keying functions, the B+ switch located on Frequency Amplifier CHG must be left in the OFF position when tuning the exciter and transmitter power amplifiers as indicated in step c below.

(c) Complete the exciter and transmitter power amplifier tune-up procedures as outlined in section 3 of the manual.

(d) Upon completion of step c above, momentarily depress CARRIER switch on KMCU. The switch will automatically assume its off (center) position. It will be noted that the PA screen grid voltage decreases to 600v. Apply keying signals to the transmitter through associated traffic control matrix on patch panel. Adjust THRESHOLD control on KMCU for proper keying of transmitter. The PA screen voltage will rise during "key-down" periods. Rotate the HOLD IN ADJ control on the KMCU to maintain 1200v PA screen voltage during momentary breaks in keying, as will occur between characters and words. Do not rotate THRESHOLD control cw beyond the position where reasonably bias-free keying is obtained.

(e) The Tone Intelligence Unit, Model TIS-3, removed from the transmitter, may be relocated at a remote transmitter control facility or may be incorporated in the CCL facilities at the transmitter site. For operation of this unit, refer to the appropriate instruction manual.

2. MAINTENANCE MANUAL. The maintenance manual should be changed as indicated in paragraphs a and b below.

(a) PRINCIPLES OF OPERATION. - Refer to section 6 (Schematic Diagrams) of the applicable transmitter instruction manual and the KMCU instruction manual. The principles of operation given in section 2 of the maintenance manual should be amended to include the following.

Contacts 4 and 5 of relay K1 in the KMCU are connected to the Controlled Master Oscillator CMO key line. Contacts 1 and 2 are connected between the bias voltage divider network for RF amplifiers V201 and V202 and ground. When K1 is energized (key-up condition), the cathode of V305 (r-f power amplifier in the CMO) is opened, and high bias (-150v) is applied to V201 and V202 in the IPA drawer. When the normal keying signal is applied to the transmitter, K1 releases, completing the cathode circuit of the i-f power amplifier in the CMO, and normalizing the bias voltages for V201 and V202.

Contacts 5 and 6 of relay K2 in the KMCU are paralleled with B+ switch S201 in Frequency Amplifier CHG. Contacts 9 and 10 of K2 in the KMCU are connected in parallel with TUNE/OPERATE switch S1004, on the main frame control panel.

Closing contacts 4 and 5 (K2 energized) energizes TUNE/OPERATE relay K705, and, therefore, lowers PA screen voltage to 600v. Relay K2 is deenergized during key-down periods and is held in this condition for a short period after the keying signal is removed. This "hold-in" period is determined by the setting of HILD IN ADJ control R21 in the KMCU.

The following signals are applied to the KMCU to provide for remote monitoring of transmitter operation.

- (1) 230 vac from terminals 9 and 10 on auxiliary center shield (warning HV ON light I-300 circuit).
- (2) PA r-f output sample (from S1 on APP-8).
- (3) CH1 and CH2 audio signals.

The KMCU provides for connection to relay contacts for the following indications:

- (1) READY: Plate voltage is on, but transmitter is not radiating.
- (2) ON THE AIR: Transmitter is radiating.

(3) FAILURE:

- a. Keying or audio signals are being applied, but the transmitter is not radiating.
- b. Transmitter is radiating but no audio signals or keying applied.

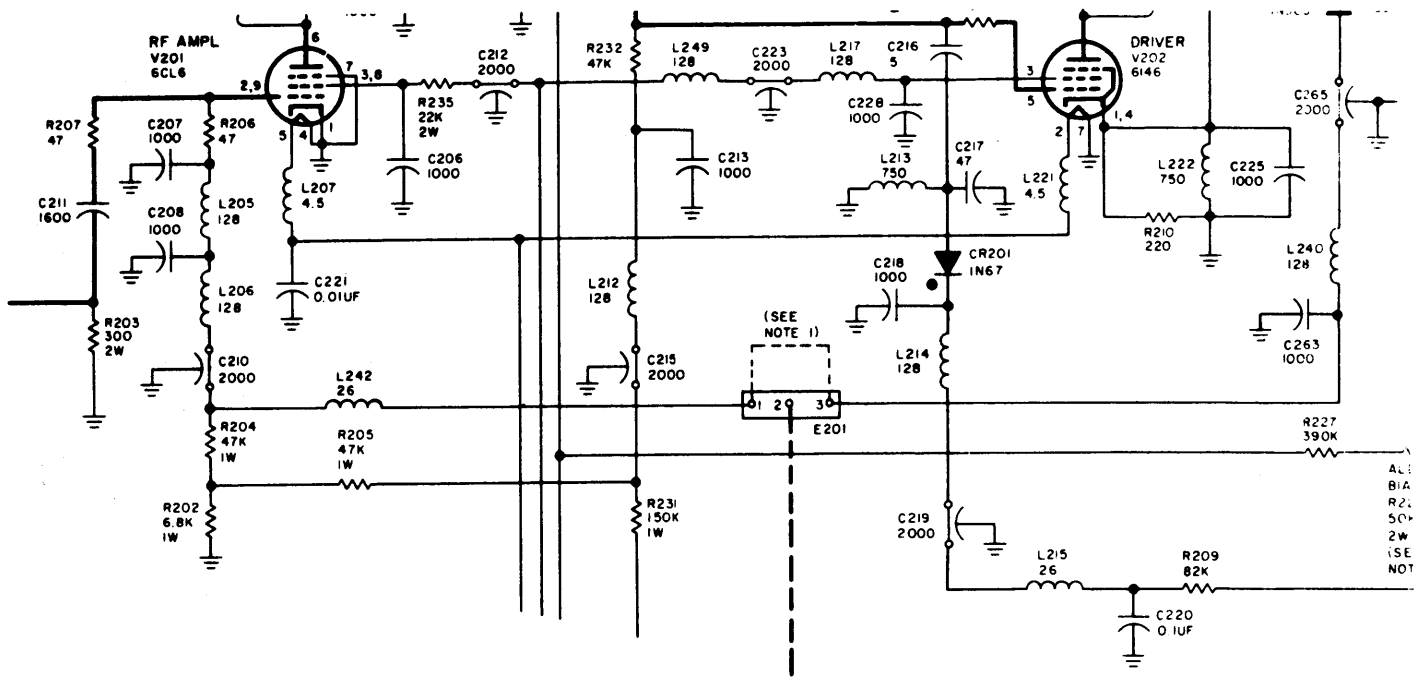
(b) SCHEMATIC DIAGRAMS (Section 6). - Schematic diagrams given in section 6 of the maintenance manual should be amended as shown in figures 1, 2, and 3.

3. VOLUME 1S (Sideband Generator, Model SBG-1/2). Wiring inter-connection diagrams given in section 2 should be changed in accordance with information contained in figure 5.

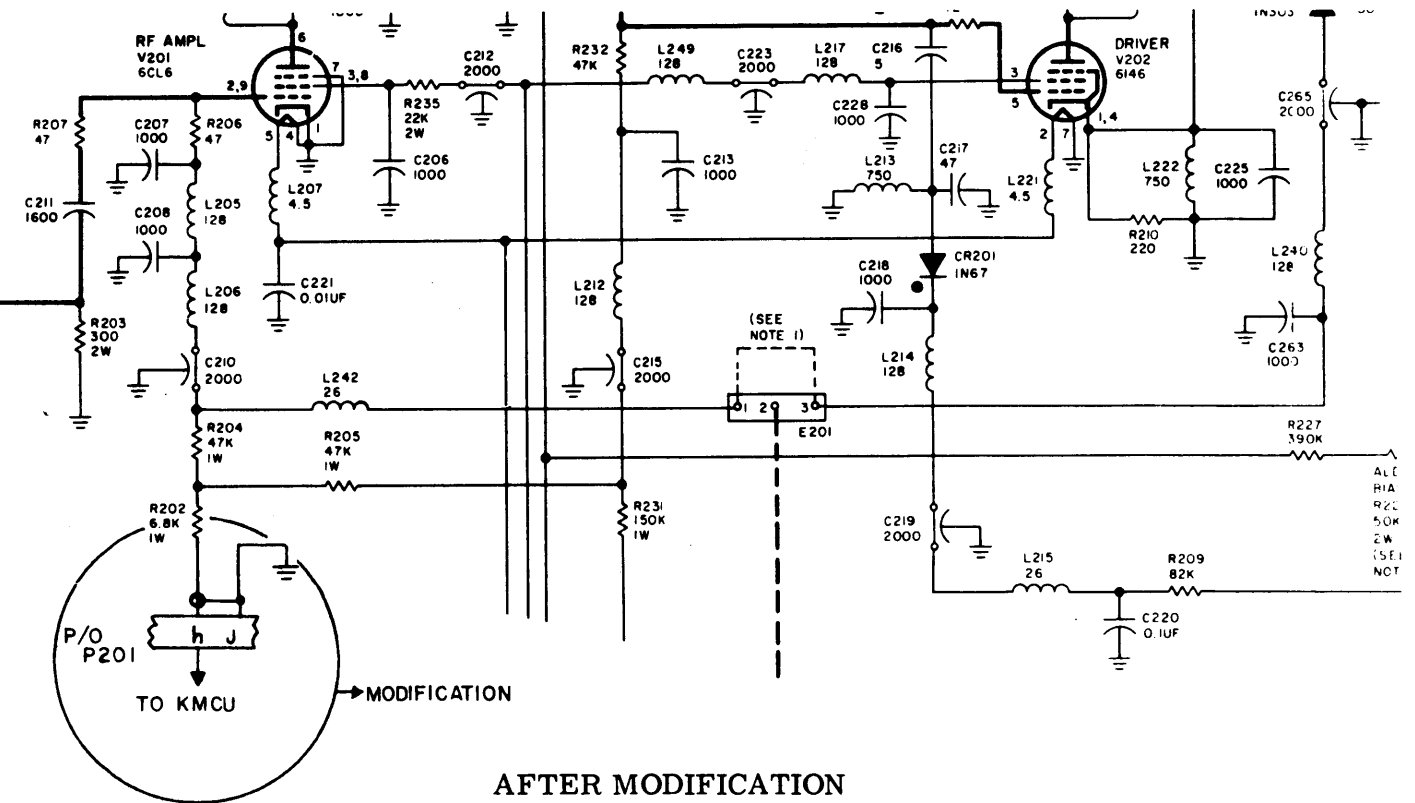
4. Frequency Amplifier, Model CHG-2A.

(a) Figures III(A)-4-5b, III(A)-4-6b, and III(A)-8-1b should be changed in accordance with the information provided in figure 4.

(b) Operating instructions for the CHG-2 must be changed to indicate that the B+ switch should be set at OFF if remote B+ switching is to be accomplished



BEFORE MODIFICATION



AFTER MODIFICATION

FIGURE 1

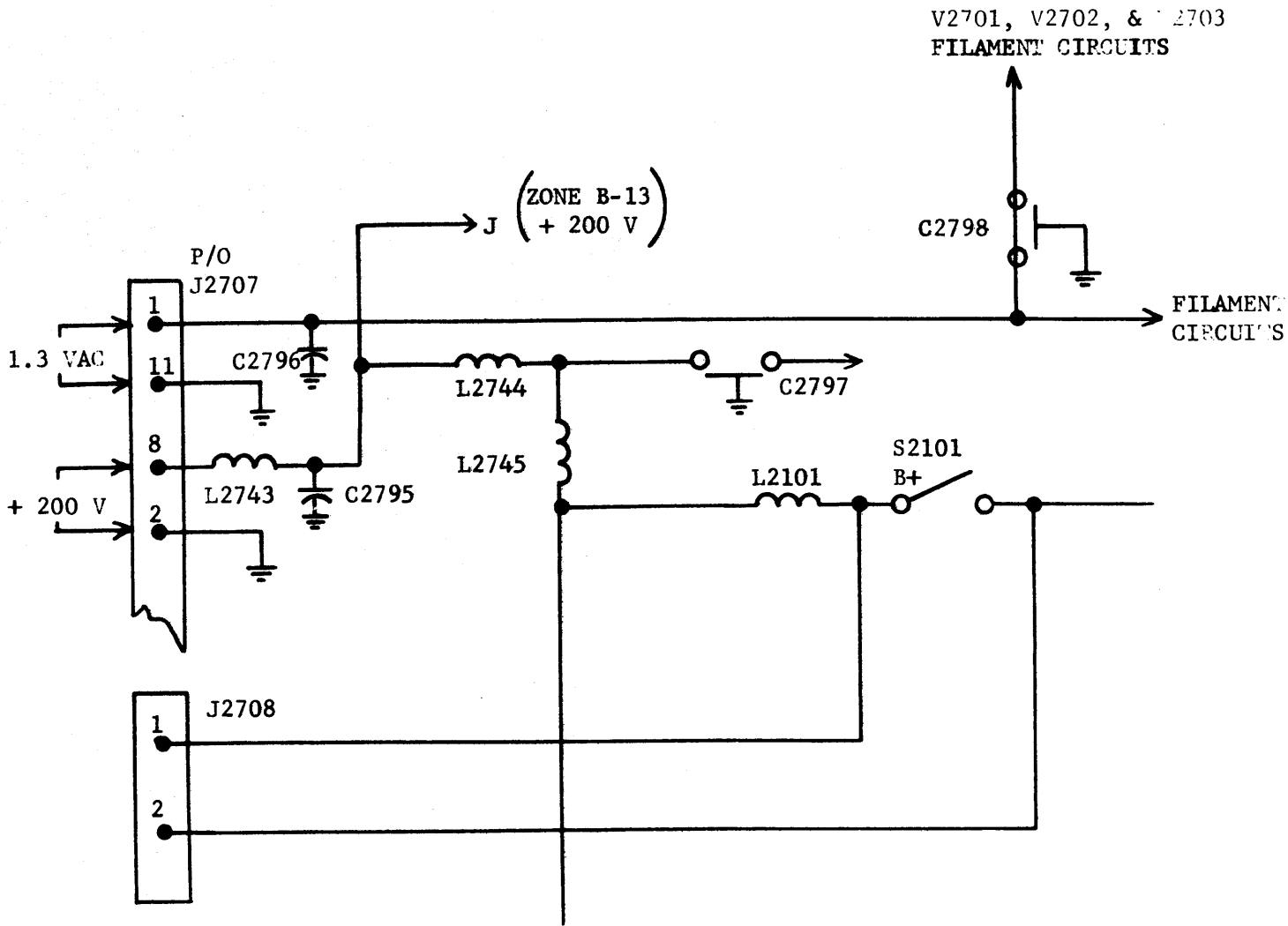


Figure 4.

NOTE
 Cable 67 to terminal 12
 TB102 (KMCU-2) CON-
 NECTED but not used.

