

## SECTION V MAINTENANCE

### 5-1. ALIGNMENT AND ADJUSTMENT PROCEDURE

a. TEST EQUIPMENT AND SPECIAL TOOLS - Test equipment that is needed for each Test/Alignment will be listed as needed.

b. SPECIAL JIGS - There are no special Test Jigs used in the Testing/Alignment of this receiver.

#### c. ALIGNMENT AND ADJUSTMENT PROCEDURE

(1) Alignment and Adjustment RF Tuner TN-525/FRR

##### A. Prealignment Instructions

This procedure is designed to align and adjust the circuits of RF Tuner TN 525/FRR. The procedure may be followed sequentially, or individual circuit boards may be adjusted. In the case of individual non-sequential alignments, information is provided as to the other circuit boards which must be aligned and in place. A non inductive alignment tool must be used for all variable indicator alignments. Care should be taken with variable inductor: the slugs are brittle and should not be forced with metal tools. If the unit is bench aligned and not interconnected in a system, the following jacks on the rear apron should be terminated with resistive 50 ohm dummy loads:

J6: 1 mc OUTPUT

J7: 250 KC output

J8: I. F. output

J10: I. F. MONITOR

Stability of internally generated frequencies will depend on the time that power has been applied.

#### 1. List of Applicable Figures:

Schematic Wiring	Figure 5-2 (3 sheets)
Frequency Readout Schematic	Figure 5-3 (2 sheets)

<u>Section or Card</u>	<u>ASSEMBLY NUMBER</u>	<u>ASSY. FIG. SCHEMATIC FIG.</u>
Power Supply (1A2)		5-18
Counter Input-Standard Module 1A1A1		5-10
Phase Detector Driver 1A1A2		5-12
Gate Generator and Counting Register 1A1A4		5-16
Local Oscillator Offset and Band Divider 1A1A3		5-14
Sub-Synthesizer 1A6		5-24
Local Oscillator Divider 1A8		5-28
First Mixer-Amp and First I. F. 1A9		5-30
Second Mixer and I. F. 1A7		5-26
Automatic Freq. Control 1A3		5-20
Phase Detector 1A5		5-22
AC Filter 1A13		5-36

#### B. Test Equipment Required:

VOM: AN/PSM-4C, or equivalent

Signal Generator: HP-606B, or equivalent (2 required)

Oscilloscope: AN/USM-281A, or equivalent

Frequency Counter: AN/USM-207, or equivalent

RF VTVM: ME-303/U, or equivalent

AC VTVM: AN/USM-106A or equivalent

C. Initial Control Settings:

1. TN-525/FRR

- (a) POWER: ON
- (b) FUNCTION: LOCAL
- (c) RF GAIN: FULLY CCW (AGC)
- (d) COUNTER MODE: REC
- (e) SILENCER: OFF
- (f) BAND SWITCH: (2-4)
- (g) METER FUNCTION: RF HIGH
- (h) INPUT ATTENUATOR: DOWN (OUT)
- (i) TUNE FINE TUNE: NOT SIGNIFICANT AT THIS TIME

2. OTHER LIMITS: All Control Optional

D. Alignment Procedures.

1. Power Supply (1A2) (A4663) (Figure 5-18)
  - (1.1) Other Boards Required: NONE  
Note: Under normal circumstances it is expected that ordinary fixed items such as attenuator 1A11 and RF tuner/oscillator assembly 1A10 will be fixed in place and connected.
  - (1.2) Equipment required:  
VOM: AN/PSM-4C, or equivalent
  - (1.3) Turn power OFF. Place 1A2 power supply card with extender into proper chassis slot.
  - (1.4) Turn R4, R13 and R22 maximum CCW.
  - (1.5) Turn power ON.
  - (1.6) Connect VOM on +50 volt DC range between TP-3 and TP-2. Adjust R-8 for +24 volts DC.
  - (1.7) Connect VOM on +10 volt DC range from TP-6 to TP-5.
  - (1.8) Adjust R-17 for +5 volts DC. If +5 volts cannot be obtained, leave R-17 at about mid-range.

- (1.9) Connect VOM on -50 volt DC range from TP-9 to TP-8.
  - (1.10) Adjust R26 for -24 volts DC.
  - (1.11) Turn power OFF.
  - (1.12) Connect VOM on 10 AMP range to TP-3 (+) and TP-2 (-). (Meter switch in +DC position)
  - (1.13) Turn power ON.
  - (1.14) Adjust R-4 for 750 milliamperes.
  - (1.15) Turn power OFF.
  - (1.16) Connect VOM on 10 AMP scale to TP-6 (+) and TP-5 (-). (VOM switch in +DC position)
  - (1.17) Turn power ON. Adjust R-13 for 1.5 amperes.
  - (1.18) Turn power OFF.
  - (1.19) Connect VOM on 100 milliampere DC range, meter switch in (-) position, between TP-9 (+) and TP-8 (-). Turn power ON.
  - (1.20) Adjust R-22 for 65 milliamperes.
  - (1.21) Turn power OFF. Remove VOM. Return VOM to +DC position.
  - (1.22) Turn power ON. Repeat steps 1.5 through 1.21. All required voltages and currents should now be obtained.
  - (1.23) Turn power OFF. Remove VOM.
  - (1.24) Place 1A2 power supply card directly into proper chassis slot.
2. RF Tuner Oscillator 1A10A1:  
No attempt should be made to align this section. This unit is a non-reparable item and must be returned to the factory for work.
  3. RF Tuner section:  
  
This section is a non-reparable item, which operates in conjunction with oscillator 1A10A1. A functional system test of the RF section is also described in Section 4.
  4. Counter input standard module (1A1A1) (A4658) (Figure 5-10)
    - (4.1) Other boards required: 1A2.



- (4. 2) Equipment required:
- VOM: AN/PSM-4C, or equivalent.
- Signal Generator: HP 606B or equivalent.
- Oscilloscope: AN/USM-281A or equivalent.
- Frequency Counter: AN/USM-207 or equivalent.
- 50 ohm resistor dummy load (BNC)
- (4. 3) Turn power OFF. Insert the 1A1A1 card into the A4A3 extender card and insert in the proper chassis slot.
- (4. 4) Set counter mode switch to REC, FUNCTION switch to LOCAL, and Bandswitch to 2-4 mcs.
- (4. 5) Turn power ON.
- (4. 6) Use VOM to check the following DC voltages:
- TP-6: +5 VOLTS DC
- PIN 2: +5 VOLTS DC
- PIN 26: +24 VOLTS DC
- (4. 7) Connect scope and counter to TP-4. A 1 mc sine wave at 4 to 6 volts P-P should be displayed.
- (4. 8) Connect scope and counter to pin 17, 1A1A1. Turn power OFF. (Unless otherwise indicated, counter means external counter in this procedure.)
- (4. 9) Remove 1A8 card. Place A4A1 empty extender card in 1A8 socket. Connect a T connector to the RF output jack of the signal generator. Terminate one arm with a 50 ohm resistive load. With coax cable, connect the other arm of the T to pin 2 of the 1A4A1 extender, with ground load to pin 1. Set the signal generator to 21 mcs, 500 millivolts. Turn power ON.
- (4. 10) Adjust the signal generator until the external counter indicates 21.0000 mcs at pin 17, 1A1A1.
- (4. 11) Connect scope and counter to TP-2. A 21.0000 mc signal, of from 2.8 to 4.2 volts P-P, should be observed.
- (4. 12) Connect scope and counter to TP-3. A 1.0500 mc signal, from 3 to 4 volts P-P, should be observed.
- (4. 13) Disconnect the scope, counter and signal generator. Disconnect the 50 ohm termination at the signal generator.
- (4. 14) Connect the signal generator to the receiver counter input jack on front panel of TN-525/FRR. Set signal generator for 100 KC, 250 millivolts.
- (4. 15) Place COUNTER MODE switch in HIGH position.
- (4. 16) Connect scope and counter to TP-1. Tune signal generator until the signal at TP-1 is exactly 100 KC. The amplitude will be about 5 volts P-P.
- (4. 17) Connect scope and counter to TP-2. A 100 KC signal from 2.8 to 4.2 volts P-P, should be displayed.
- (4. 18) Connect scope and counter to TP-3. A 5 KC signal at about 3 to 4 volts P-P, should be displayed.
- (4. 19) Connect scope and counter to TP-1 and tune the signal generator to 35.0000 mcs. The signal generator output should be 100 millivolts. The scope amplitude will be about 5 volts P-P.
- (4. 20) Connect scope and counter to TP-2, a 35.0000 mc signal from 2.8 to 4.2 volts PP, should be observed.
- (4. 21) Connect scope and counter to TP-3. A 1.7500 mc signal at 3 to 4 volts P-P, should be displayed at TP-3.
- (4. 22) Place COUNTER MODE switch in LOW position. A 17.50000 mc signal at 3 to 4 volts P-P should be displayed at TP-3.
- (4. 23) Turn power OFF. Place 1A1A1 card directly into its proper chassis slot.
5. Phase Detector Driver (1A1A2) (A4659) (Figure 5-12)
- (5. 1) Other boards required: (1A2)

- (5. 2) Equipment required:
- VOM: AN/PSM-4C, or equivalent
- Signal Generator: HP-606B or equivalent (TWO)
- Oscilloscope: AN/USM-281A, or equivalent
- Frequency Counter: AN/USM-207 or equivalent
- 50 ohm resistive dummy load.
- (5. 3) Turn power OFF. Insert 1A1A2 card into 1A4A3 extender and insert into proper chassis slot.
- (5. 4) Turn power ON. Place FUNCTION switch to LOCAL. Place bandswitch to 2-4 mc position.
- (5. 5) With VOM, measure DC voltage at following points:
- TP-1: +5 VOLTS DC
- TP-7: +24 VOLTS DC
- (5. 6) Connect scope and counter to TP-6. (Unless otherwise indicated, "counter" referred to is an external counter.) A 1 mc signal from 6 to 8 volts P-P should be observed.
- (5. 7) Place FUNCTION switch to AFC. The signal indicated in step (5. 6) should be observed.
- (5. 8) Place FUNCTION switch to SYN. There should be no signal at TP-6.
- (5. 9) Place FUNCTION switch to SYN. Connect one signal generator to 1J6 (EXT 1MC IN) on rear apron. Set signal generator to 1 mc, at 0. 5 volts (RMS).
- (5. 10) With scope and counter at TP-6, a 1 mc signal from 6 to 8 volts P-P should be observed.
- (5. 11) Connect scope and counter to pin F. A 1 mc signal from 5 to 6 volts P-P should be displayed.
- (5. 12) Repeat step (5. 11) for pin 10.
- (5. 13) Repeat step (5. 11) for pin R.
- (5. 14) Disconnect signal generator, scope and counter. Turn power OFF. Insert EMPTY 1A4A1 extender card into 1A8 socket. Turn power ON.

- (5. 15) Connect a T connector to the signal generator output. One arm of the T, terminate with a 50 ohm load. From the other arm, connect a cable to pin 2 of the A4A1 extender card, with ground lead to pin 1.
- (5. 16) Set signal generator to 29 mc at 0. 5 volts RMS.
- (5. 17) Connect scope and counter to TP-2. Adjust signal generator carefully for a 362. 5 KC square wave at TP-2. The amplitude should be between 3 and 4 volts P-P.
- (5. 18) Connect scope and counter to TP-3. Negative spikes at 362. 5 KC, about 5 volts P-P should be observed.
- (5. 19) Connect scope and counter to pin W. A 362. 5 KC signal, between 0. 6 and 0. 8 volts P-P, should be seen.
- (5. 20) Connect a second signal generator to 1J2, (SYN IN) on rear apron of tuner. Set generator for 2. 4 mc, 1. 0 volts RMS.
- (5. 21) Connect scope and counter to TP-8 and adjust the signal generator for precisely 2. 40000 mcs at TP-8. The amplitude should be about 4. 0 volts P-P.
- (5. 22) Connect scope and counter to TP-9. Rotate the bandswitch as indicated, for the resultant frequencies at TP-9:
- | <u>BAND SWITCH</u> | <u>FREQUENCY</u> |
|--------------------|------------------|
| 2-4 mc             | 2. 40000 mc      |
| 4-8 mc             | 1. 20000 mc      |
| 8-16 mc            | . 60000 mc       |
| 16-32 mc           | . 30000 mc       |
- (5. 23) With the bandswitch at 16-32 mc, and both signal generators operating as previously directed, connect scope and counter to TP-11. A 300 KC signal, between 150 and 250 millivolts P-P, should be seen.
- (5. 24) Slowly tune signal generator #1 (connected at pin 2 of extender card) lower in frequency until the signal at TP-11 drops sharply in amplitude. Then measure the

the signal generator frequency at that time. It should be approximately 24 mcs.

- (5.25) Turn power OFF. Remove signal generators, scope and counter. Place 1A1A2 card directly into its proper chassis slot.

6. Gate Generator and Counting Register (1A1A4) (A4661) (Figure 5-16)

- (6.1) Other boards required: 1A2, 1A1A1, 1A1A2.

- (6.2) Equipment required:

VOM: AN/PSM-4C, or equivalent

Signal Generator: HP 606B or equivalent

Oscilloscope: AN/USM-281A, or equivalent

Frequency Counter: AN/USM-207 or equivalent

50 ohm resistive load (BNC connector)

- (6.3) Turn power OFF. Insert 1A1A4 into the 1A4A2 and 1A4A3 extender cards and plug into 1A1A4 chassis slot.

- (6.4) Set COUNTER MODE switch to REC. Set FUNCTION switch to LOCAL. Place bandswitch to 2-4 mc position.

- (6.5) Turn power ON.

- (6.6) With VOM, measure DC voltage at TP-6. It should be +5 volts DC.

- (6.7) Connect scope and counter to TP-1. (Unless otherwise indicated, counter will mean external counter.) A 1 mc signal at 1.5 to 2 volts P-P should be displayed.

- (6.8) Connect signal generator to TP-5, with ground lead to TP-2.

- (6.9) Set signal generator to 300 KC at 0.5 volts RMS.

- (6.10) Connect scope and counter to TP-5. Tune the signal generator for precisely 300,000 cycles, as indicated on the counter

- (6.11) Connect scope and counter to TP-3. Negative spikes, with a 225 millisecond period, at an amplitude of from 3 to 4 volts P-P should be displayed.

- (6.12) Connect scope and counter to TP-4. Positive spikes with a 225 millisecond period, from 3 to 4 volts P-P should be displayed.

- (6.13) The counter readout on front panel of TN-525/FRR should indicate 06.3600.

- (6.14) Connect scope and counter to TP-5. Tune signal generator for 94.335 KC, as displayed on the external counter. The counter readout on the front panel of the TN-525/FRR should read 02.0000.

- (6.15) Slowly and carefully adjust the signal generator frequency while monitoring the readout on the front panel of TN-525/FRR. Begin by watching the 100 cycles digit to insure that it reads out digits 0 to 9 as the signal generator frequency is changed. Check, sequentially, the 1 KC readout, 10 KC readout, 100 KC readout, and the 1 mc readout. Check the 10 mc readout for digits 0 to 3.

- (6.16) Tune the signal generator to display 32.0000 on the front panel readout. The external counter should read 1,509,400 cycles at this time.

- (6.17) Turn power OFF. Place 1A1A4 card directly into its proper chassis slot.

7. Local Oscillator Offset and Band Divider: (1A1A3) (A4660) (Figure 5-14)

- (7.1) Other boards required: 1A2, 1A1A1, 1A1A2, 1A1A4.

- (7.2) Equipment required:

VOM: AN/PSM-4C, or equivalent

Signal Generators: HP 606B or equivalent (TWO)

Oscilloscope: AN/USM-281A, or equivalent

50 ohm resistive load (BNC connector)

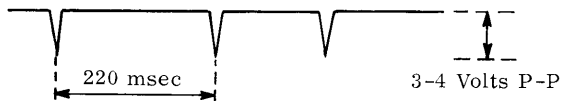
FREQUENCY COUNTER:  
AN/USM-207 or equivalent

- (7.3) Turn power OFF. Insert 1A1A3 card into the 1A4A2 extender and insert into 1A1A3 chassis slot.
- (7.4) Set COUNTER MODE switch to REC. Set FUNCTION switch to LOCAL. Place bandswitch in 2-4 mc position. Turn power ON.
- (7.5) With VOM, measure the voltage at TP-5. It should be +5 volts DC.
- (7.6) Connect a T connector to the signal generator output. On one T arm, connect the 50 ohm dummy load. Connect the other arm to coax cable with test leads.
- (7.7) Place empty 1A4A1 extender card into the 1A8 socket of tuner TN-511/URR. Connect signal generator to pin 2 with ground lead to pin 1, of extender.
- (7.8) Set signal generator to 21 mcs at at 500 millivolts RMS.
- (7.9) Connect scope and counter to TP-2, 1A1A3. (Unless otherwise indicated, "counter" means external counter.) Observe at TP-2 a square wave at a level of 3 to 4 volts P-P.

- (7.10) Connect scope and counter to TP-1. The following waveform should be observed.



- (7.11) Connect scope and counter to pin M: The following waveform should be observed:



- (7.12) Connect scope and counter to TP-4. In each position of the bandswitch, a signal at about 3 volts P-P should be observed. Leave bandswitch in 2-4 mc position.
- (7.13) Connect scope and counter to TP-2. Carefully adjust the signal generator for 1,050,000 cycles. The front panel readout should indicate 02.0000.

- (7.14) Place bandswitch in 4-8 mc position. The front panel readout should indicate 04.0000.
- (7.15) Place bandswitch in 8-16 position. The front panel readout should indicate 08.0000.
- (7.16) Place bandswitch in 16-32 position. The front panel readout should indicate 16.0000.
- (7.17) Connect the second signal generator to the counter input jack (BNC) on front panel of TN-525/FRR. Set generator for 100 KC, at .25 volt RMS.
- (7.18) Place COUNTER MODE switch to HIGH. The front panel readout should indicate 00.1000.
- (7.19) Turn power OFF. Remove test equipment. Place 1A1A3 card directly into its proper chassis slot.

8. Sub-synthesizer (1A6) (A4669) (Figure 5-24)

- (8.1) Other boards required:

A2, (A7 for loading)

- (8.2) Equipment required:

VOM: AN/PSM-4C, or equivalent

Oscilloscope: AN/USM-281A, or equivalent

Frequency Counter: AN/USM-207, or equivalent

Low capacity alignment tool.

- (8.3) Turn power OFF. Place 1A6 card into A4A1 extender and place in proper chassis slot. Turn power ON.
- (8.4) Connect VOM to TP-8. The measurement should be +24 volts DC.
- (8.5) Connect scope and counter to TP-1. A 1 mc signal at about 8 volts P-P, should be observed.
- (8.6) Connect VOM to TP-3 on +50 volts DC scale. With the bandswitch in 2-4 position, the reading should be about +22 volts DC. Change the bandswitch to (4-8) (8-16) and (16-32). The

voltage should drop to zero.  
Leave the bandswitch at (4-8).

- (8.7) Connect the VOM to TP-4. With the bandswitch in (4-8) position the reading should be about +22 volts DC. In all other positions the reading should be zero volts. Leave the bandswitch in (8-16) position.

- (8.8) Connect the VOM to TP-5. With the bandswitch in (8-16) position the reading should be about +22 volts. In all other positions the reading should be zero volts. Leave the bandswitch in (16-32) position.

- (8.9) Connect the VOM to TP-6. With the bandswitch in (16-32) position the reading should be about +22 volts. In all other positions the reading should be zero volts.

Note: In steps (8.6) through (8.9), under certain circumstances, +22 volts max appear at the appropriate test point in AUTO position of the bandswitch.

- (8.10) Place the bandswitch to (2-4) position. Connect the scope and counter to TP-7. A square wave at 500 KC, at about 2.5 volts P-P, should be observed.
- (8.11) Connect scope and counter to TP-13. Adjust C-91 for maximum 7 mc signal (4-5 volts P-P).
- (8.12) Place bandswitch in (4-8) position. Connect scope and counter to TP-12. A 3 mc signal at 4-5 volts P-P, should be observed.
- (8.13) Place bandswitch in (8-16) position. Connect scope and counter to TP-11. Adjust C32 for maximum 5.5 mc signal (4 to 5 volts P-P).
- (8.14) Place bandswitch in (16-32) position. Connect scope and counter to TP-10. Adjust C-9 for maximum 10.5 mc signals (4-5 volts P-P).
- (8.15) Connect scope and counter to TP-19. Adjust the indicated controls for the desired voltage on the appropriate bandswitch, as indicated below:

<u>BANDSWITCH</u>	<u>CONTROL</u>	<u>FREQUENCY</u>	<u>AMPLITUDE</u>
2-4	R-110	875 KC	2 Volts P-P
4-8	R-79	1.5 MC	2 Volts P-P
8-16	R-45	2.75 MC	2 Volts P-P
16-32	R-20	5.25 MC	1.5 Volts P-P

- (8.16) Turn power OFF. Disconnect test equipment. Place 1A6 card directly into its proper chassis slot.

9. Local Oscillator Divider: (1A8) (A4671) (Figure 5-28)

- (9.1) Other boards required: A2, (A9 for loading) counter cards 1A1A1, 1A1A2, 1A1A3, 1A1A4.

- (9.2) Equipment required:

VOM: AN/PSM-4C, or equivalent

Oscilloscope: AN/USM-281A, or equivalent

RF VTVM: ME-303/U or equivalent

- (9.3) Turn power OFF. Insert 1A8 card into riser and plug into proper chassis slot. Turn power ON.

- (9.4) With VOM, measure the DC voltage at the following points:

TP3: +24 Volts DC

TP17: +5 Volts DC

- (9.5) The front panel readout should be reading the frequency to which the receiver is tuned. Connect RF VTVM to TP-1, ground lead to TP-9. The voltage should be between 0.5 and 1.5 volts RMS.

- (9.6) Connect scope and counter to TP-7, ground leads to TP-6. Place bandswitch to (2-4) position. Adjust receiver TUNE control for a reading of 02.0000 on the front panel readout. At TP-7, a signal at 2.625 MC, 1.5 volts P-P, should be displayed.

- (9. 7) Place bandswitch to (4-8) position. Connect scope and counter to TP-10, with ground lead to TP-6. Adjust receiver TUNE control for a reading of 04. 0000 on front panel readout. At TP-10 a frequency of 5. 25 MC, 1. 5 volts P-P, should be observed.
- (9. 8) Place bandswitch to (8-16) position. Connect scope and counter to TP-16, with ground lead to TP-6. Adjust receiver TUNE control for a reading of 08. 0000 on the front panel readout. At TP-16 a frequency of 10. 5 MC, 1. 5 volts P-P, should be observed.
- (9. 9) Place bandswitch to (16-32) position. Adjust receiver TUNE control for a reading of 16. 0000 on front panel readout. Connect scope and counter to TP-20, with ground lead to TP-9. A signal at 21. 0000 MC, 1. 5 volts P-P, should be observed.
- (9. 10) Turn power OFF. Remove 1A1A1 counter card, and insert into 1A4A3 extender card. Plug assembly into the 1A1A1 chassis slot. Turn power ON.
- (9. 11) Connect external frequency counter to TP-1 of 1A1A1. Place bandswitch to (2-4). Adjust receiver TUNE control for a reading of 02. 0000 on front panel readout. The external counter should read 21. 0000 MC.
- (9. 12) Move the receiver TUNE control clockwise so that the front panel readout increases from 02. 0000 to 04. 0000. The external counter should change from 21. 0000 MC to 37. 0000 MC.
- Note: At any time, the external counter should read: (FRONT PANEL READOUT X8) +5 MCS.
- (9. 13) Without disturbing the final readings at 04. 0000 and 37. 0000 MC, remove the external counter and connect the RF VTVM to TP-2, 1A1A1. Adjust the receiver TUNE control counter-clockwise, decreasing the front panel readout from 04. 0000 to 02. 0000. The RF voltage at TP-2 should remain at approximately 1. 5 volts RMS.
- (9. 14) Turn power OFF. Remove test equipment. Insert 1A1A1 and 1A8 cards directly into their proper chassis slots.
10. First Mixer-Amplifier and First IF Amplifier  
(1A9) (A4672) (Figure 5-30)
- (10. 1) Other boards required:  
A2, A7, A8, 1A1A1, 1A1A2, 1A1A3, 1A1A4. (A7 not necessarily aligned)
- (10. 2) Equipment required:  
VOM: AN/PSM-4C, or equivalent  
Oscilloscope: AN/USM-281A, or equivalent  
Counter: AN/USM-207 or equivalent  
Signal Generator H. P. 606B, or equivalent  
VTVM: AN/USM-106A, or equivalent.
- (10. 3) Turn power OFF. Place 1A9 card into extender and insert in proper chassis slot. Turn power ON.
- (10. 4) With VOM, check DC voltage at TP-1 (TP-7 GND). It should be +24 volts.
- (10. 5) Place bandswitch to (2-4) position. Connect scope and counter to TP-2. Adjust TUNE control for 03. 0000 on front panel readout. Adjust R-9 for maximum 3. 625 MC signal (about 1. 5 volts P-P).
- (10. 6) Place bandswitch to (4-8) position. Connect scope and counter to TP-4. Adjust TUNE control for 06. 0000 on front panel readout. Adjust R-33 for maximum 7. 25 MC signal (about 1. 5 volts P-P).
- (10. 7) Place bandswitch to (8-16) position. Connect scope and counter to TP-10. Adjust receiver TUNE control for 12. 0000 on front panel readout. Adjust R-82 for maximum

- 14.5 MC signal (about 1.5 volts P-P).
- (10.8) Place bandswitch to (16-32) position. Connect scope and counter to TP-8. Adjust TUNE control for 24.0000 on front panel readout. Adjust R-58 for maximum 29 MC signal (about 1.0 volt P-P).
- (10.9) Place bandswitch to (2-4) position. Adjust TUNE control for 03.0000 on front panel readout.
- (10.10) Connect signal generator at 3,000,000 cycles, 300 uv, to receiver antenna jack. Connect AN/USM-106A and counter to TP-6.
- (10.11) Adjust L2, L3 for maximum signal. When signal is sufficient to activate external counter, adjust generator for 625 KC at TP-6.
- (10.12) Adjust L2, L3 for maximum 625 KC signal. The signal generator must be carefully adjusted to obtain 625 KC. Use R-24 to adjust the signal amplitude as necessary. Keep the signal amplitude at 40 millivolts (RMS).
- (10.13) Carefully vary the signal generator so that the signal at TP-6 varies from 615 KC to 635 KC (20 KC swing). The signal at TP-6 should remain constant in amplitude. If it does not, repeat steps (10.12) and (10.13) making slight alterations in the settings of L2 and L3 until the required specification is met.
- (10.14) Adjust R-24 for 30 millivolts RMS at TP-6.
- (10.15) Set bandswitch to (4-8). Adjust TUNE control for 06.0000 on front panel readout. Set the signal generator to 6.000 MCS, 300 uv. Adjust L4 and L5 for maximum signal at TP-6. When signal is sufficient to activate counter, adjust the signal generator for 1,250,000 cycles at TP-6.
- (10.16) Adjust L4 and L5 for maximum 1.25 MC signal at TP-6. Use R47 as necessary to keep the signal amplitude at about 40 millivolts RMS.
- (10.17) Carefully vary the signal generator so that the signal at TP-6 varies from 1.24 MC to 1.26 MC. The signal at TP-6 should remain constant in amplitude. If it does not, repeat steps (10.16) and (10.17) making slight alterations in the settings of L4 and L5 until the required specification is met.
- (10.18) Adjust R-47 for 30 mv RMS at TP-6.
- (10.19) Set bandswitch to (8-16). Adjust receiver TUNE control for 12 MCS on the front panel readout. Set the signal generator to 12 MCS, 300 uv. Adjust L8 and L9 for maximum signal at TP-6. When the signal is sufficient to activate the counter, adjust the signal generator for 2,500,000 cycles at TP-6. Use R-96 to keep amplitude from exceeding 40 millivolts.
- (10.20) Adjust L8, L9 for maximum signal. Carefully vary the signal generator so that the signal at TP-6 varies from 2.49 MC to 2.5 MC. The signal at TP-6 should remain constant in amplitude. If it does not, repeat steps (10.19) and (10.20), making slight alterations in the settings of L8 and L9 until the required specification is met.
- (10.21) Adjust R96 for 30 millivolts RMS at TP-6.
- (10.22) Set the bandswitch to (16-32). Adjust the TUNE control for 24.0000 on the front panel readout.
- (10.23) Set the signal generator for 24 MC at 300 uv. Adjust L6 and L7 for maximum signal at TP-6. Use R-72 to control the signal amplitude. When sufficient signal level has been reached to activate the counter, adjust the signal generator for 5,000,000 cycles at TP-6.
- (10.24) Adjust L6 and L7 for maximum 5 MC signal at TP-6. Carefully vary the signal generator so that the signal at TP-6 varies from 4.99 MC to 5.01 MC. The signal at TP-6 should remain constant. If it does not, repeat steps (10.23) and (10.24), making slight alterations in the settings

- of L6 and L7 until the required specification is met.
- (10. 25) Adjust R-72 for 30 millivolts RMS at TP-6.
- (10. 26) Turn power OFF. Insert 1A9 card directly into its proper chassis slot.
11. Second Mixer and I. F.: (1A7) (A4670) (Figure 5-26)
- (11. 1) Other boards required:
- A2, A6, A8, A9, 1A1A1, 1A1A2, 1A1A3, 1A1A4. (A3 will be utilized later in the procedure)
- (11. 2) Equipment required:
- VOM: AN/PSM-4C, or equivalent
- Oscilloscope: AN/USM-281A, or equivalent
- Counter: AN/USM-207, or equivalent
- Alignment screwdriver
- Signal Generator: HP-606B or equivalent
- Note: Very slowly changing AGC and signal voltages are present. When the procedure indicates an unhurried adjustment, WAIT UNTIL AGC AND/OR SIGNAL HAS STABILIZED.
- (11. 3) Turn power OFF. Place SILENCER switch to OFF. Insure that RF GAIN control is full CCW (AGC). Place 1A7 card into extender and plug into proper chassis slot. Turn power ON.
- (11. 4) With VOM, measure the DC voltages at these points:
- TP-5: +24 VOLTS
- TP-22: -24 VOLTS
- (11. 5) Place bandswitch to 2-4 position. Adjust TUNE control for 03. 0000 on front panel readout.
- (11. 6) Connect scope and counter at TP-2. Adjust R-4 for maximum 875 KC signal (2 volts P-P).
- (11. 7) Connect a signal generator to the antenna input at 3. 000 MCS, 500 uv.
- (11. 8) Connect the VOM on (-) 10 VOLT DC Range to TP-20. Adjust R-106 VERY SLOWLY until the voltage falls to zero on (-) 2. 5 VOLT scale. Remove VOM.
- (11. 9) Connect scope and counter to TP-1. Adjust the signal generator for a 250 KC signal at TP-1. The amplitude should be about 100 mv, P-P.
- (11. 10) Reduce the signal generator output to 300 uv; this should result in about 84 mv P-P at TP-1. Record the amplitude at TP-1.
- (11. 11) Connect scope and counter to TP-3. Readjust R-4 for maximum 250 KC signal (about 50 mv P-P).
- (11. 12) Connect scope and counter to TP-4. The signal should be 250 KC, about 35 mv P-P.
- (11. 13) Connect scope and counter to TP-6. Adjust R-40, R-33, for maximum 250 KC signal. If the resultant signal exceeds that noted in step (11. 10), adjust R-33 for the voltage recorded in step (11. 10) (about 84 mv P-P).
- (11. 14) Throw front panel attenuator switch up and down. In the UP position, the signal at TP-6 should drop 20 db. Leave the attenuator switch down (OUT).
- (11. 15) Adjust the signal generator for 250 KC, 100 mv (P-P) at TP-6. The 100 mv P-P at TP-6 should be obtained with 500 uv or less from the signal generator.
- (11. 16) SLOWLY, adjust R-106, watching for the AGC action to "GRAB" the 250 KC signal at TP-6. Make this adjustment in small steps. The purpose of this adjustment is to cause the 250 KC signal at TP-6 to finally stabilize at the amplitude obtained in step (11. 10): (about 84 mv P-P).



Note: The 250 KC signal at TP-6 should remain within 4 db of 30 mv RMS (84 mv P-P) when the signal generator output is changed from 500 uv to 30 mv. First, be assured that the signal at TP-6 is 250 KC, 84 mv P-P with 500 uv from the signal generator. Wait for conditions to stabilize, then record the amplitude at TP-6.

EXAMPLE

SIG GEN	TP-6
500 uv	30 mv RMS, 84 mv P-P
30 mv	32 mv RMS, 90 mv P-P

The DB change in this case is +0.9. The maximum allowable signal at TP-6 with 30 mv from the signal generator is 133 mv P-P or 47 mv RMS or +4 DB.

- (11. 17) Return the signal generator to 500 uv. Turn power OFF. Insert 1A3 board if not already in place. Turn power ON.
- (11. 18) With scope and counter at TP-6 of 1A7, wait for signal to stabilize at 250 KC, 84 mv P-P. Then turn RF GAIN control maximum clockwise. The signal at TP-6 should be at least ten times 84 mv P-P, or 840 mv P-P. Return the RF GAIN control to maximum CCW position.
- (11. 19) Connect scope and counter to TP-15 of A7. The signal should be 84 mv, P-P, 250 KC.
- (11. 20) Connect scope and counter to TP-16 of A7. The signal should be 250 KC, about 200 mv P-P.
- (11. 21) Turn power OFF. Remove 1A3 card. Turn power ON.
- (11. 22) With the signal generator at 3 mc, 300 mv, connect scope and counter to TP-6. Adjust the generator for 250 KC at TP-6.
- (11. 23) Under the conditions of step (11. 22) check, with the VOM, the DC voltage at TP-23. It should be -24 volts.

- (11. 24) SLOWLY adjust R-130 until the voltage at TP-23 falls to zero. (CRITICAL ADJUSTMENT)
- (11. 25) Decrease the signal generator output to zero. Then slowly increase the signal generator output in very small increments, watching the signal at TP-6 for AGC to "catch up." When the signal level from the generator reaches about 30 mv, the DC voltage at TP-23 should drop to zero.
- (11. 26) Remove VOM. Set meter function switch to HIGH. Set the signal generator for 3 MC, 300 mv. Then adjust R-131 for full scale reading at "HI" on RF/AFC LEVEL meter.
- (11. 27) Turn power OFF. Remove test equipment. Insert A7 card directly into its chassis slot.
- 12. Automatic Frequency Control:
  - (1A3) (A4664) (Figure 5-20)
  - (12. 1) Other boards required:
    - A2, A6, A7, A8, A9, 1A1A1, 1A1A2, 1A1A3, 1A1A4
  - (12. 2) Equipment required:
    - VOM: AN/PSM-4C, or equivalent
    - Oscilloscope: AN/USM-281A, or equivalent
    - Counter: AN/USM-207, or equivalent
    - Alignment screwdriver
    - Signal Generator: HP-606B, or equivalent
  - (12. 3) Turn power OFF. Insert 1A3 card in extender and plug into proper chassis slot. Turn power ON.
  - (12. 4) Set FUNCTION switch to AFC. Set meter function switch to AFC CARRIER.
  - (12. 5) Locate TWO 47K Ohm resistors just below the two right hand relays (R66, R67). Ground the

left side of the upper resistor.  
In lieu of this arrangement, pin 7 on the card or riser may be grounded. Listen for relay click when grounding.

- (12. 6) With VOM, check DC voltages as follows:
- a) TP-1: +24V DC
  - b) TP-19: +10V DC
  - c) TP-20: -10V DC
- (12. 7) Connect scope and counter to TP-6. Adjust R-34 for 250, 000 cycles. Amplitude about . 5V P-P.
- (12. 8) Connect scope and counter to TP-7. Signal should be 250 KC, at about . 5V P-P.
- (12. 9) Connect scope and counter to TP-8. Adjust T-44, T-1, for maximum 250 KC signal. Then connect scope and counter to TP-3 and adjust R-44 for zero signal. Re-check the signal at TP-8: From 2 to 3 V P-P.
- (12. 10) Connect scope and counter to TP-10. Adjust R-57, T-2, for maximum 250 KC signal. Then connect scope and counter to TP-4 and adjust R-57 for zero signal. Re-check signal at TP-10: From 2 to 3 V P-P.
- (12. 11) Turn power OFF. Connect ohmmeter on RX1 scale between TP-16 and ground. Adjust R-3 for maximum resistance. Remove ohmmeter. Turn power ON.
- (12. 12) Connect a signal generator between TP-16 and ground. Set generator to 250 KC  $\pm$ 10 CYCLES, 100 uv. Connect scope and counter to TP-2. Adjust L2, L3, L4, L5 for maximum signal. Change amplitude of the generator to avoid exceeding . 5V P-P at TP-2.
- Note: Connect scope and counter to TP-10 and check frequency of 250, 000 cycles per second; adjust oscillator if necessary.
- (12. 13) Remove signal generator from TP-16 and connect to antenna jack at 3. 000 mcs, 10 uv. Adjust receiver TUNE control for

03. 0000 mc on receiver counter. Carefully adjust Receiver Fine Tune Control for a Peak as displayed on scope and for a frequency of 250 KC  $\pm$ 10 CPS at 1V P-P at TP-2.

- (12. 14) Reduce the signal generator output to 1 uv. Disregard any apparent noise on the scope at TP-2. Adjust R-78 until RF/AFC carrier level meter reads between RED and GREEN.
- (12. 15) Increase signal generator output to 10 uv. Adjust carefully for 250 KC  $\pm$ 10 CPS at TP-2.
- (12. 16) With junction of R-66, R-67 grounded, carefully adjust receiver FINE TUNE control left and right. The phase difference meter should follow in the same direction, dropping back to zero at each extreme of the scale. If this condition is not met, adjust R44 in small increments, repeating the FINE TUNE adjustments after each change in R-44 until the condition is achieved.
- (12. 17) Adjust R-57 so that, under the conditions of step (12. 16), the SYNC indicator is ON when the phase difference meter is "ON SCALE" and OUT when the phase differences meter drops back to zero after each extreme excursion to either side.
- (12. 18) Disconnect all test equipment. Turn power OFF. Place A3 card directly into its proper chassis slot. Turn power ON. Remove ground from R-66, R-67.
- (12. 19) Move receiver FINE TUNE control fully CW. Depress AFC tune switch and adjust receiver TUNE control carefully until RF/AFC meter indicates in the green and the phase difference meter is at center scale. Record receiver counter indication. Release AFC tune switch.
- (12. 20) Carefully and slowly, in small increments, move the receiver FINE TUNE control CCW, allowing the phase difference meter to stabilize after each movement, until SYNC lamp goes out. Depress AFC tune switch and record receiver

- counter reading. The second reading must be at least 1 KC below the first reading.
- (12. 21) Repeat steps 12. 19 and 12. 20 except that the receiver FINE TUNE control should be moved clockwise during the measurements. The second counter reading should be at least 1 KC higher than the first reading.
- (12. 22) Turn power OFF. Insert 1A3 card directly into its proper chassis slot.
13. Phase Detector (1A5) (A4668) (Figure 5-22) and AC Filter (1A13) (A4794) (Figures 5-36)
- (13. 1) Other boards required: ALL
- (13. 2) Equipment required:
- VOM: AN/PSM-4C or equivalent
- Oscilloscope: AN/USM-281A, or equivalent
- Counter: AN/USM-207, or equivalent
- Alignment screwdriver
- Signal generator: (TWO) HP-606B or equivalent
- (13. 3) Turn power OFF. Place 1A5 card into extender and plug into proper chassis slot. Turn power ON.
- (13. 4) Assure that all other cards are in place.
- (13. 5) Place A5 card on A4A1 extender and place in A5 chassis slot.
- (13. 6) Function SW to SYN.
- (13. 7) Turn power ON.
- (13. 8) With VOM measure DC voltage at TP-1: +24V DC. Turn Function SW to AFC and LOCAL and VOLTAGE at TP-1 in 0. 0V. Return switch to SYN position.
- (13. 9) With VOM, measure DC voltage at TP 2: 24V DC.
- (13. 10) Connect one signal generator at 1 mc, 1V RMS, to 1J3 at rear of TN-525/FRR. (If an O-1510/URR synthesizer is available, its 1 mc output may be used.) Connect scope and counter to TP-16. A 1 mc signal at 5-6V P-P should be observed.
- (13. 11) Connect second signal generator at 1J2 (rear of TN-525/FRR at 1V RMS, 300 KC. (If an O-1510/URR synthesizer is available, its output may be used; if used, the O-1510/URR frequency selectors should be set to 03. 0000 MC. )
- (13. 12) Place bandswitch to 2-4 position. Adjust receiver TUNE control for a reading of 03. 0000 mcs on the receiver counter.
- (13. 13) Connect scope and counter to TP-4. A 362. 5 KC signal, from . 7 to 1. 0V P-P should be observed.
- (13. 14) Connect scope and counter to TP-5. A distorted signal of about 100 mv P-P, at a frequency of about 300 KC, should be observed.
- (13. 15) Connect scope and counter to TP-12. A signal at 62. 5 KC, 2. 5V P-P, should be observed.
- (13. 16) Adjust receiver TUNE control for a reading of 02. 5000 mcs on receiver counter.
- (13. 17) Connect scope and counter to TP-7. Adjust T-3 for maximum 62. 5 KC signal (8V P-P).
- (13. 18) Connect scope, DC FUNCTION at 1V per cm, adjust vertical control so that 0. 0V is center, to TP-10, adjust R-20 and a +2. 0V DC and a -2. 0V DC must be observed. The phase difference meter should go full scale to right and left. Adjust R-20 for 0. 0V DC and the phase difference meter should indicate center scale.
- (13. 19) Connect scope and counter to TP-11, adjust T-4 and R-61 for maximum amplitude. A frequency of 62. 500 KC at an amplitude of 6-8V P-P.
- (13. 20) Tune the receiver for a frequency of 03. 0000 MC on the TN-525/FRR counter.
- (13. 21) Remove the cable connected to 1J2.

- (13. 22) Connect the scope and counter to TP-6 and adjust R-7 for a dip in the 362. 5 KC signal.
- (13. 23) Reconnect signal generator at 300 KC 1V to 1J2 (or O-1510/URR).
- (13. 24) With scope and counter at TP-6, adjust R80 for 4V P-P at 62. 5 KC.
- (13. 25) Connect scope and counter TP-8 62. 5 KC 4-5V P-P.
- (13. 26) Connect scope and counter TP-13 (R61) 62. 5 KC 4-5V P-P.
- (13. 27) With receiver at 03. 0000 and 2 signal generators connected, move receiver tune slowly CW then CCW; phase difference meter should follow in some direction, then fall back toward center scale after each extreme. If this condition can be met, carefully adjust receiver tune control for center scale on phase difference meter.
- (13. 28) Adjust R64 until sync lamp just lights.
- (13. 29) Then perform step 13. 27, adjusting R61 until sync lamp remains ON when phase difference meter drops back toward center after a full excursion to the left or right.
- (13. 30) Connect scope (DC function) 1V CM with 0V at center of scope, with receiver on sync, observe 0V at pin 8 of extender card, tune receiver out of sync, observe +1V at pin 8 of extender card.
- (13. 31) Connect scope to (scope to 20V/cm) pin 3 or 7 of extender card and observe +24V in sync, 0V out of sync.
- (13. 32) Continuity between 1 and 2 on riser card ohmmeter (RX 1) in sync infinity out of sync, ohms.
- (13. 33) 1A13 AC FILTER and DC VOLTAGE into 1A10A1C1.
- Connect scope DC FUNCTION, at 1V/cm to 1A10A1C1.
  - Observe DC voltage at 1A10A1C1 when HFRR is in SYNC and phase difference meter is center scale.
- Slowly detune TN-525/FRR CW until phase difference meter indicates in the red on the left. Listen for relay on 1A13 AC filter to energize and de-energize. Record the DC VOLTAGE at 1A10A1C1. It must be greater than +1. 5V DC.
  - Slowly detune TN-525/FRR CCW until phase difference meter indicates in the red on the left. Listen for relay on 1A13 AC filter to energize and de-energize. Record the DC voltage at 1A10A1C1. It must be greater than -1. 5V DC.
- (13. 34) Disconnect all test equipment, turn power OFF. Insert 1A5 into chassis.
- (2) DEMULTIPLEXER, TD-969/FRR
- A. Prealignment Instructions - Refer to the following schematic diagrams and assembly drawings:
- Figure 5-38, TD-969/FRR
- Figure 5-43, Power Supply 2A1
- Figure 5-47, Sub Carrier Generator 2A3
- Figure 5-55, I. S. B. IF Cards 2A7, 2A9, 2A11, 2A13
- Figure 5-51, Symmetrical I. F. 2A5
- Figure 5-53, I. S. B. Audio Cards 2A6, 2A8, 2A10, 2A12
- Figure 5-49, Symmetrical Demodular 2A4
- Figure 5-45, Monitor, Diversity 2A2
- The purpose of this procedure is the complete alignment of the demultiplexer unit or the individual alignment of a particular card or section in that unit. If a complete alignment is required, the procedure should be followed in sequence. The removal of all circuit boards from the chassis should precede complete unit alignment. The boards will be returned to the chassis as they are aligned and/or as required by the procedure. For individual alignment of a particular card, all cards should be removed from the chassis except those specified in "Other boards required" for that particular card. "Other boards required" for the individual alignment of a particular circuit board, must be in place for that alignment and must be themselves, previously aligned.

All variable inductor and transformer alignments must be carried out with a non-inductive alignment tool.

The following steps should precede alignment of the demultiplexer:

1. Remove four screws holding the unit in the cabinet, and pull the unit out of the cabinet until the slide locks click.

2. Remove the top cover to gain access to the circuit boards.

3. Insure that the "Power" switch is in the off position.

4. Remove all circuit boards if a complete alignment is to be done. Remove all boards except those listed in "Other boards required" for individual alignment of a particular boards.

5. Remove all cables on the rear of Unit 2 except: 2J7 (1 Mcs IN), 2J11 (RF METER), 2J2 (POWER) and J19.

#### B. Test Equipment Required

1. AC Voltmeter, AN/USM-106A
2. Squarewave Generator, SG-299C
3. Oscilloscope, AN/USM-281A
4. Signal Generator, HP-606B
5. Frequency Counter, AN/PSM-207
6. Multimeter (VOM), AN/PSM-4C
7. Resistive Loads

(7.1) 50 ohms

(7.2) 600 ohms

(7.3) 4 ohms

#### C. Control Positions

1. On the TN-525/FRR
  - (1.1) "Power" switch to on position.
  - (1.2) "Function" switch to SYN position.
2. On the TD-969/FRR
  - (2.1) "Power" switch to off position.
3. On the O-1510/URR
  - (3.1) "Power" switch to on position.

4. On the KY-661/URR
 

- (4.1) "Power" switch to off position.

5. On the CV-2521(V)/URC
 

- (5.1) "Power" switch to off position.

#### D. Alignment Procedure

1. POWER SUPPLY (2A1) (A4627) Figure 5-43
  - (1.1) Other boards required: none
  - (1.2) Equipment required: AN/PSM-4A, or equivalent
  - (1.3) Insert 2A1 card into extender and insert in proper chassis slot.
  - (1.4) Set R8, R17, R26 and R35 mid range.
  - (1.5) Set R4, R13, R22 and R31 fully CCW.
  - (1.6) Turn "Power" switch to on position.
  - (1.7) Connect AN/PSM-4A (using 50vdc range) between ground and the following test points, carefully observing polarity on the meter. At each test point adjust the proper control for the indicated voltage as read on the meter.

<u>TEST POINT</u>	<u>VOLTAGE CONTROL</u>	<u>VOLTAGE</u>
TP-3	R8	+24 vdc
TP-6	R17	+15 vdc
TP-9	R26	+5 vdc
TP-12	R35	+24 vdc

(1.8) If the voltage cannot be set to its proper value, it may be necessary to turn the associated current limiting control (R4 - +24, R13 - +15, R22 - +5, R31 - -24) slightly CW and then attempt to set the voltage control.

(1.9) On the AN/PSM-4A select the proper current scales ("500 MA" or "10 AMPS") and the proper "DC" function (- or +, as required).

- (1. 10) Turn "Power" switch to off position and connect meter between ground and the indicated test points.
- (1. 11) Turn "Power" switch to on position and adjust the proper control for the indicated current as read on the AN/PSM-4A.
- (1. 12) Repeat steps (1. 10) and (1. 11) for each test point.

- (2. 7) Connect the scope probe between ground and TP-2. A 20 usec pulse occurring at a 10 Kc rate should be displayed. The amplitude of the signal should be approximately 6VP-P.

<u>TEST POINT</u>	<u>CURRENT CONTROL</u>	<u>CURRENT</u>
TP-3	R4	600 MA
TP-6	R13	230 MA
TP-9	R22	180 MA
TP-12	R31	50 MA

- (1. 13) Turn "Power" switch to the off position. Remove meter.
- (1. 14) Remove 2A1 board and extender card from chassis socket. Return 2A1 to its proper chassis socket.
- 2. SUB-CARRIER GENERATOR (2A3) (A4629) Figure 5-47
  - (2. 1) Other boards required: 2A1
  - (2. 2) Equipment required:
    - Oscilloscope, AN/USM-281A, or equivalent
    - Frequency Counter, AN/USM-207, or equivalent
    - Signal Generator, HP606-B, or equivalent
  - (2. 3) Insure that the "Power" switch is in the off position, and insert the 2A3 card into extender and plug into proper chassis slot.
  - (2. 4) Connect "Vertical Sig. Out" of scope to "AC Signal Input" of counter.
  - (2. 5) Turn "Power" switch to on position.
  - (2. 6) Connect the scope probe between ground and TP-1. A 1 mcs sine wave at approximately 2.8 VP-P should be displayed.

- (2. 8) Connect a low capacity scope probe between the junction of L5 and R21 and ground. Peak C11 for maximum level. The 6.29 mcs signal displayed should be at approximately 10V P-P.
- (2. 9) Once again connect scope probe between TP-2 and ground to verify that the pulse rate is still 10 Kc. It may be necessary to readjust C11 slightly to insure the proper waveform at TP-2. Connect scope probe between TP-4 and ground. A 6.29 Kc signal should be displayed at approximately 1 VP-P.
- (2. 10) Connect scope probe between pin 8 and ground. A 250 Kc signal should be displayed at approximately 1 VP-P. Connect scope probe between pin L and ground. A 250 Kc signal should be displayed at approximately 1 VP-P.
- (2. 12) With scope probe still connected to pin L, connect jumper between pin A and ground. The 250 Kc signal display should disappear. Set the HP606B signal generator for a frequency of 250 Kc.
- (2. 13) Using a T- connect on the "RF output" of the signal generator, connect a 50 ohm load and an output cable.

- (2. 14) Connect the signal generator output cable to the 250 Kc input, J-8 on Unit 2.
  - (2. 15) A 250 Kc signal at approximately 1 VP-P should once again be displayed at pin L. Remove jumper from pin A.
  - (2. 16) Connect scope probe between TP6 and ground. A 243. 710 Kc signal should be displayed at a minimum level of . 5 VP-P.
  - (2. 17) Connect scope probe between TP7 and ground. A 256. 290 Kc signal should be displayed at a minimum of . 5 VP-P. Remove scope probe and signal generator.
  - (2. 18) Turn "Power" switch to off position.
  - (2. 19) Remove 2A3 board and extender card from chassis socket. Return 2A3 board to its proper chassis socket.
3. ISB IF CARDS (2A7, 2A9, 2A11 and 2A13) (A4633) Figure 5-55
- (3. 1) Other boards required: A-1
  - (3. 2) Equipment required:
    - Signal Generator, HP606A, or equivalent.
    - AC Voltmeter, AN/USM-106A, or equivalent.
    - Oscilloscope, AN/USM-281A, or equivalent.
    - VOM, AN/PSM-4C, or equivalent.
    - Square Wave Generator, SG-299C, or equivalent.
  - (3. 3) On the front panel of the TD-969/FRR set the "AGC Source" switches to closed loop (i. e. A1 Source in A1 position, A2 Source in A2 position, etc. ).
  - (3. 4) Place "Mode" switch to "ISB" position. Place all "AGC Time Constant" switches in the "Medium" position.
  - (3. 5) On the A-7 card adjust R55 fully CW.
- (3. 6) On the A-7 card adjust the following controls to mid-range.
    - (a) R45
    - (b) R80
    - (c) R81
    - (d) R82
    - (e) R83
    - (f) R84
    - (g) R85
  - (3. 7) Insuring that the "Power" switch is in the off position, insert 2A7 board with extender card into proper chassis socket.
  - (3. 8) On the Signal Generator connect a T-connector to the "RF Output" and connect a 50 ohm load and an output cable to the T-connector.
  - (3. 9) Connect Signal Generator output cable to "IF Input", J9 on the TD-969/FRR.
  - (3. 10) Turn the "Power" switch to on position. Connect AN/PSM-4A VOM (50 vdc scale) between ground and TP14 of A7. Meter should indicate +24 vdc  $\pm 10\%$ .
  - (3. 11) With VOM still connected place "Mode" switch in the following positions:
    - AM 2. 5Kc
    - AM 6Kc
    - CW 2. 5Kc
    - CW 6Kc
 There should be no voltage indicated in these positions.
  - (3. 12) Place the "Mode" switch to the "ISB" position and disconnect Simpson meter.
  - (3. 13) Connect Oscilloscope probe between TP5 and ground on A7.
  - (3. 14) Set the signal generator output level for 30 mv RMS and at a frequency of approximately 250 Kc.
  - (3. 15) Tune the signal generator to the approximate center of the filter passband under test, as indicated by a sine

wave display on the oscilloscope (level approximately .03 v P-P).

- (3.16) Remove scope probe from TP5.
- (3.17) Connect AN/USM-106A VTVM probe between TP9 and ground (TP10).
- (3.18) Readjust signal generator output level to 60 Micro Volts, and adjust R45 for a level of 90 mV RMS as indicated on the VTVM at TP9.
- (3.19) Set the AGC level by adjusting R55 to the point where the output level at TP9 decreases to 80 mV RMS, as indicated on the VTVM.
- (3.20) Decrease the signal generator output level to 30 uv RMS. Gradually increase the signal generator output level. As the level is increased, the level at TP9 should also gradually increase. When

the input level reaches 60 uv RMS, the level at TP-9 should be holding at 80 mv RMS. The level a TP-9 should remain within 2 db of 80 mv RMS, as the signal generator level is further increased to 100 mv RMS.

- (3.21) Repeat step #8 with "AGC Time Constant" switch in the "fast" position and also in the "slow" position.
- (3.22) Place 50 ohm load on J3, "B2 IF Output". Connect AN/USM-106A VTVM across 50 ohm load and ground.
- (3.23) Output level should be a minimum of 1 mv RMS as indicated on the meter. Disconnect Meter.
- (3.24) AGC Time Constant Alignment. The test set up for this alignment is shown with Table 5-1. The test should be carried out in accordance with Table 5-1.

Test of AGC Time Constant Circuits:

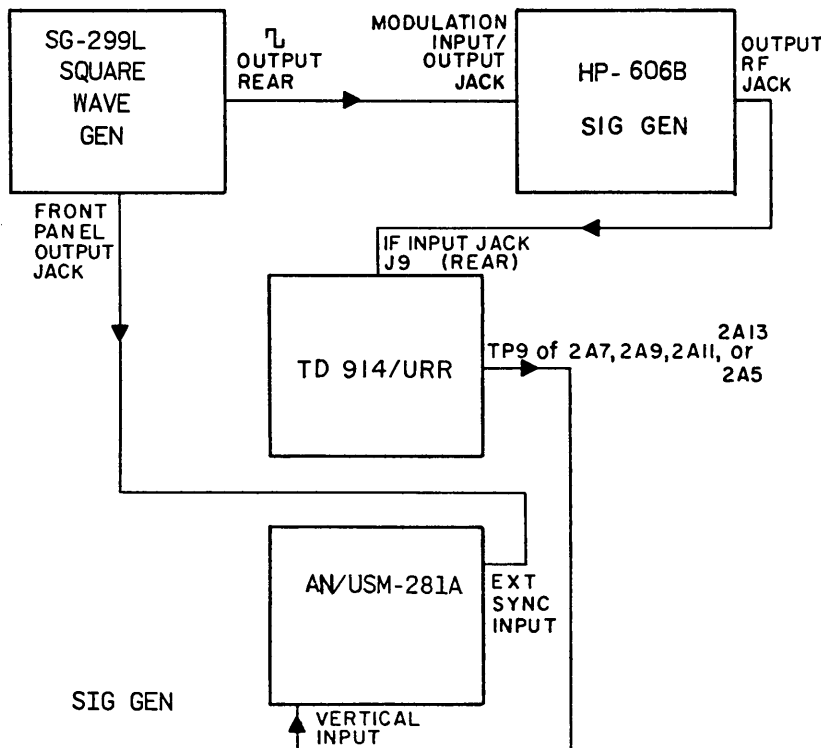




TABLE 5-1. TEST OF AGC TIME CONSTANT CIRCUITS

A. Test Equipment Required:

1. Function Generator Model SG-299L
2. Signal Generator: H. P. 606B, or equivalent.
3. Oscilloscope: AN/USM-281A

B. Preliminary:

1. Function Generator:

- a) With POWER/DIAL MULTIPLIER switch select X1 position.
- b) With MODE switch select the CONT position.
- c) With FUNCTION SELECTOR select the square wave output.
- d) Place OUTPUT ATTENUATOR control full CW.
- e) Place FREQ AZ selector in X1 position.
- f) Place VERNIER in CAL position.
- g) Adjust FREQUENCY DIAL to 1.

2. Hewlett Pachard Model 606 B.

- a) Put range switch in 165-560kc position.
- b) Adjust frequency to approximately 250 kc.
- c) Place MODULATION SELECTOR to EXT DC.
- d) Place ATTENUATOR in .03V position.
- e) Adjust MODULATION AMPLITUDE control and RF OUTPUT vernier until RF output meter swings between .3 and 3. Do not heed the % modulation meter.

3. TD-914/URR:

- a) Place all AGC TIME CONSTANT switches to FAST.
- b) Place A1 AGC switch to A1, B1 AGC switch to B1, etc.
- c) Place MODE switch to the ISB position.

C. Test Procedures:

1. Remove external modulating signal from the RF signal generator jack.
2. Tune the signal generator until output frequency of card under test, measured with scope and counter at TP09 15:

- (2.1) 252 KC for A1
- (2.2) 255 KC for A2
- (2.3) 248 KC for B1
- (2.4) 245 KC for B2
- (2.5) 250 KC for SYMMETRICAL

Adjust LINE LEVEL control for channel under test for 0 DBM on line level meter. An audible indication from a monitor speaker may be used.

3. Reconnect modulation to HP-606B signal generator.
4. With scope time base, scope sync (+) and scope vertical attenuator controls properly set, the following waveform should be observed

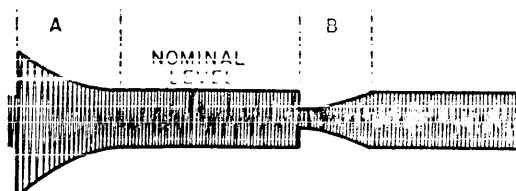
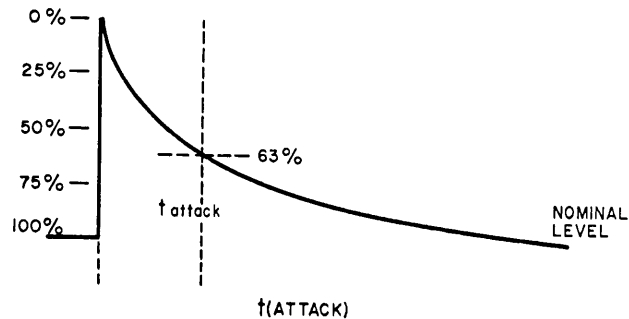
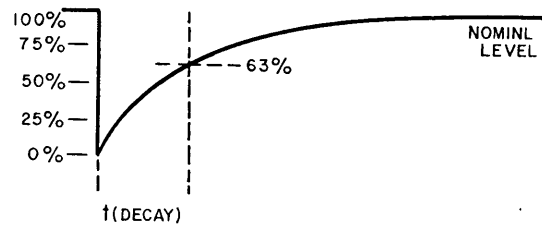


TABLE 5-1. TEST OF AGC TIME CONSTANT CIRCUITS (cont)

5. With scope sync at +, use SYNC, vertical attenuator and vernier, and time base control to expand waveform so that signal during time period A appears as follows:



6. Record the time,  $t$  (attack) in milliseconds, for signal to fall from initial peak to about 63%. The time, with Time count out switches on FAST position, should be 20 milliseconds.
7. With scope sync at (-) use sync, vertical attenuator and vernier, and time base control to expand waveform so that signal during time period B appears as follows:



8. Record the time, ( $t$  DECAY), in milliseconds, for signal to rise from initial value to about 63%. The time, with time constant switches on FAST position, should be 20 milliseconds.
9. Repeat the tests for medium and SLOW time constant switch positions.
- (1) MEDIUM  $t$  attack: 20 ms.  $t$  decay: 100 ms.
- (2) SLOW  $t$  attack: 40 ms.  $t$  decay: 2 seconds.

NOTE:

The function generator frequency may be varied between 1 and 5 cycles, as necessary or convenient.

10. Repeat the tests for the other channels, changing the HP-606B signal generator frequency as required.

(3.25) \*Note: If "Attach" time can not be met as in C-6 of table 5-1, the following controls should be adjusted for the following positions of the "AGC Time Constant" switches;

<u>Switch Position</u>	<u>Attach Time Constant Control</u>
"Fast"	R80
"Med."	R83
"Slow"	R85

(3.26) \*Note: If "Decay" time can not be met as in step C-8 of table 5-1, the following controls should be adjusted for the following positions of the "AGC Time Constant" switches;

<u>Switch Position</u>	<u>Decay Time Constant Control</u>
"Fast"	R81
"Med."	R82
"Slow"	R84

\*Note: A single switch position should be checked at a time (i. e. - "fast", "med", "slow"). The check and adjustment should be made so that both "attack" and "decay" time conditions are met simultaneously in that particular position. Then the test should be performed for the next position.

(3.27) Turn "Power" switch to off position and remove test equipment.

(3.28) Remove 2A7 board and extender card from socket. Return 2A7 card to proper chassis socket.

(3.29) \*Complete alignment for 2A9 card is performed by repeating steps 3.1-3.28 for that card.

(3.30) \*Complete alignment for 2A11 card is performed by repeating steps 3.1-3.28 for that card.

(3.31) \*Complete alignment for 2A13 card is performed by repeating steps 3.1-3.28 for that card.

\*Note: The following substitution should be made in step 3.22:

<u>Channel</u>	<u>Card</u>	<u>Jack</u>
B1	2A9	J4
A1	2A11	J5
A2	2A13	J6

4. Symmetrical IF Card (2A5 (A4631) Figure 5-51)

(4.1) Other boards required: A-1

(4.2) Equipment required:

Signal Generator, HP606B, or equivalent.

AC Voltmeter, AN/USM-106A, or equivalent.

Oscilloscope, AN/USM-218A, or equivalent.

VOM, AN/PSM-4A, or equivalent.

(4.3) On the front panel of the TD-969/FRR set the "SYM-B2" "AGC Source" switch in the B2 position.

(4.4) Place "Mode" switch to "AM 2.5KC" position.

(4.5) Place "SYM-B2" "AGC Time Constant" switch in the "Med" position.

(4.6) On the A5 card adjust R68 fully CCW.

(4.7) On the A5 card, adjust the following controls mid-range:

(a) R58

(b) R93

(c) R94

(d) R95

(e) R96

(f) R97

(g) R98

(4.8) Insuring that the "Power" switch is in the off position, insert 2A5 board and extender card in proper chassis socket.

(4.9) On the Signal Generator connect a T-connector to the "RF Output" and an output cable and a 50 ohm load to the T' connector.

(4.10) Connect Signal Generator output to "IF Input", J9 on the TD-969/FRR.

(4.11) "Mode" Switch Operation.

(4.11.1) Connect AN/PSM-4A between ground and pin 13. (+DC, RX1).

(4.11.2) Turn the "Mode" switch through all of its positions.

(4.11.3) The following indications should be read on the meter.

Switch Position	Meter Reading
AM 2.5KC	infinity
AM 6KC	0 ohms
CW 2.5KC	infinity
CW 6KC	0 ohms
ISB	infinity

(4.11.4) Connect AN/PSM-4A meter between ground and TP3 (+DC, RX1).

(4.11.5) Turn the "Mode" switch through all of its positions.

(4.11.6) The following indications should be read on the meter.

Switch Position	Meter Reading
AM 2.5KC	0 ohms
AM 6KC	infinity
CW 2.5KC	0 ohms
CW 6KC	infinity
ISB	infinity

(4.11.7) Connect AN/PSM-4A Meter between ground and TP13 (+DC, 50V scale).

(4.11.8) Turn "Power" switch to "On" position.

(4.11.9) Turn the "Mode" switch through all of its positions.

(4.11.10) The following indications should be read of the Simpson Meter:

Switch Position	Meter Reading
AM 2.5KC	+24 VDC $\pm$ 10%
AM 6KC	+24 VDC $\pm$ 10%
CW 2.5KC	+24 VDC $\pm$ 10%
CW 6KC	+24 VDC $\pm$ 10%
ISB	0VDC

(4.11.11) Disconnect Simpson meter.

(4.11.12) Place "Mode" switch in "AM 2.5KC" position.

(4.12) Connect oscilloscope probe between TP4 and ground on 5.

(4.13) Set the signal generator output level for 30 mv RMS and at a frequency of 250 Kc.

(4.14) A sine wave at approximately .13V P-P should be displayed.

(4.15) Remove scope probe from TP4. Connect AN/USM-106A VTVM probe between TP8 and ground (TP9).

(4.16) Readjust signal generator output level to 60 micro volts RMS and adjust R-58 for a level of 90 mV RMS as indicated on the VTVM meter at TP8.

(4.17) Set the AGC level by adjusting R68 to the point where the output level at TP9 decreases to 80 mV RMS as indicated on the VTVM.

(4.18) Decrease the Signal Generator output level to 30 uV RMS. Gradually increase the Signal Generator output level. As the level is increased, the level at TP-8 should also gradually increase. When the input level reaches 60 uV RMS, the level at TP-8 should be holding at 80 mV RMS. The level at TP-8 should remain within 2 db of 80 mV RMS, as the Signal Generator level is further increased to 100 mV RMS.

(4.19) Repeat step #8 with "SYM/B2", "AGC Time Constant" switch in both the "Fast" and "Slow" positions.

(4.20) Repeat step #8 with the "Mode" switch in the "CW 6 KC" position.

(4.21) Connect AS/USM-106A VTVM across 50 ohm load and ground. Output level should be a minimum of 1 mV RMS as indicated on the meter.

(4.22) AGC Time Constant Alignment. Follow procedure in steps (3.24), (3.25) and (3.26) of the procedure.

(4.23) Turn "Power" switch to off position, and remove test equipment.

- (4.24) Remove 2A5 board and extender card from chassis socket. Return 2A5 board to proper chassis socket.
5. ISB Audio Cards (2A6, 2A8, 2A10 and 2A12) (A4632) Figure 5-53
- (5.1) Other boards required:
- |                   |                                       |
|-------------------|---------------------------------------|
| <u>for</u><br>2A6 | <u>required</u><br>2A1, 2A7, 2A4, 2A3 |
| 2A8               | 2A1, 2A9, 2A4, 2A3                    |
| 2A10              | 2A1, 2A11, 2A4, 2A3                   |
| 2A12              | 2A1, 2A13, 2A4, 2A3                   |
- (5.2) Equipment required:
- Signal Generator, HP606B, or equivalent
- AC Voltmeter, AN/USM-106A, or equivalent
- Oscilloscope, AN/USM-281A, or equivalent
- VOM, AN/PSM-4A, or equivalent
- (5.3) On the set the "Mode" switch to "ISB".
- (5.4) Set the "AGC Source" switches to closed loop (i. e., A1 Source in A1 position, A2 Source in A2 position).
- (5.5) Place all "AGC Time Constant" switches in "Fast" position.
- (5.6) Connect a T-connector to the RF output jack of the Signal Generator, and connect an output cable and a 50 ohm load to the T-connector.
- (5.7) Connect Signal Generator output to J9, "I. F. In", on the TD-969/FRR.
- (5.8) Connect a 600 ohm load across pins E and C of the "Audio Out" jack for the channel card under test and connect pin D to chassis ground.
- | <u>Channel</u> | <u>Card</u> | <u>Jack Number</u> |
|----------------|-------------|--------------------|
| B2/SYM         | A6          | J15                |
| B1             | A8          | J16                |
| A1             | A10         | J17                |
| A2             | A12         | J18                |
- (5.9) Insert extender card in the proper socket of the TD-969/FRR chassis for the channel card under test, and insert the card under test in the extender card socket.
- (5.10) Insert the 2A4, Symmetrical Demodulator Card in the 2A4 socket of the TD-969/FRR.
- (5.11) Set "Meter Sensitivity" switch to "0" position.
- (5.12) Set all "Line Level Adjust" controls fully CCW.
- (5.13) Place "Monitor Selector" switch in proper position for channel card under test (A6 - B2 position, A8 - B1 position, A10 - A1 position, and A12 - A2 position).
- (5.14) Turn "Power" switch to the "On" position.
- (5.15) Connect AN/PSM-4A VOM (+DC, 50V scale) between ground and TP13. Meter should read +24 VDC  $\pm 10\%$ . Disconnect VOM. Set Signal Generator frequency to approximately 250 KC.
- (5.16) Set Signal Generator output level for 1 mV RMS. Connect Oscilloscope probe between ground and TP3. Level should be at a minimum of .5V P-P as displayed on the scope.
- (5.17) Connect Oscilloscope probe between ground and TP-1. Tune Signal Generator to the approximate center of the filter passband being applied to the audio card under test. Level should be approximately .2V P-P as displayed on the scope.
- (5.18) Connect scope probe between ground and TP8, and tune the Signal Generator for a sine wave display of approximately 1 KC on the scope.
- (5.19) Adjust R26 so that the level at TP8 is 1V P-P as displayed on the scope. Disconnect probe.
- (5.20) Connect AN/USM-106A VTVM probe across ground and one end of the 600 ohm load on the proper "Audio Out" jack.
- (5.21) Adjust the proper "Line Level Adjust" control for channel under

- test until a level of .39 V RMS is indicated on the VTVM. Adjust R48 so that the "Line DBM" meter on Unit 2 reads 0 dbm.
- (5.22) Place "Meter Sensitivity" switch in the +10" position.
- (5.23) Adjust the "Line Level Adjust" (for the channel under test) until a level of 1.2V RMS is indicated on the AN/USM-106A. "Line DBM" meter on the TD-969/FRR should read 0.
- (5.24) Connect scope probe across TP14 and ground. A clean sine wave should be displayed on the scope. Adjust "Line Level Adjust" (for channel under test) until a level of .12V RMS is indicated on the AN/USM-106A meter.
- (5.25) Place "Meter Sensitivity" switch in the "-10" position. Meter should read 0.
- (5.26) Remove AN/USM-106A probe.
- (5.27) Remove scope probe.
- (5.28) Turn "Power" switch to off position, and remove test equipment.
- (5.29) Remove audio card under test and extender card from chassis socket. Return audio card to proper chassis socket.
- (5.30) Test 5 inclusive may be repeated for testing of any or all audio cards (2A6, 2A8, 2A10 or 2A12).
6. Symmetrical Demodulator Card (2A4) (A4630) Figure 5-49
- (6.1) Other boards required: All cards except 2A2.
- (6.2) Equipment required:
- Signal Generator, HP606B, or equivalent
- Oscilloscope, AN/USM-281A, or equivalent
- Counter, AS/USM-207, or equivalent
- VOM, AN/PSM-4A
- (6.3) Remove the 2A4 card from the TD-969/FRR chassis.
- (6.4) Insert extender card in the 2A4 socket of the TD-969/FRR, and insert 2A4 card in the extender card socket.
- (6.5) Set the following controls to mid-range:
- (a) R23  
(b) R24  
(c) R52  
(d) R10
- (6.6) Connect a T-connector to the RF output of the Signal Generator and a 50 ohm load and output cable to the T-connector.
- (6.7) Connect Signal Generator output cable to J9, "I. F. In" on the TD-969/FRR.
- (6.8) For "SYM/B2" channel set the "AGC SOURCE" switch to "B2" position, the "AGC TIME CONSTANT" to "MED", and "LINE LEVEL ADJUST" control fully CCW. Set "MODE" switch to "AM 2.5KC" position.
- (6.9) Select "SYM" with "Monitor Selector" switch.
- (6.10) Connect "Vertical Signal Out" of scope to "AC Signal Input" of Counter.
- (6.11) Turn "Power" switch to on position.
- (6.12) Connect AN/PSM-4A meter (+DC, 50V scale) between TP-18 on A4 and ground. Meter should read +24 VDC  $\pm 10\%$ .
- Connect AN/PSM-4A meter (+DC, 50V scale) between TP15 and ground. Rotate the "MODE" switch through all positions. The meter should indicate as follows:
- | "MODE" Switch Position | Simpson Meter Indication |
|------------------------|--------------------------|
| AM 2.5 KC              | +24 VDC $\pm 10\%$       |
| AM 6 KC                | +24 VDC $\pm 10\%$       |
| CW 2.5 KC              | +24 VDC $\pm 10\%$       |
| CW 6 KC                | +24 VDC $\pm 10\%$       |
| ISB                    | close to 0 VDC           |
- (6.13) Connect AN/PSM-4A meter between ground and the cathode of DR9. Meter should indicate approximately +12 VDC.

- (6.14) Turn "Power" switch to off position.
- (6.15) Connect AN/PSM-4A meter (+DC, RX1 scale) between ground and pin N. Rotate the "MODE" switch through all positions. The meter should indicate as follows:

<u>"MODE"</u> <u>Switch Position</u>	<u>Simpson</u> <u>Meter Indication</u>
AM 2.5 KC	0 ohms
AM 6 KC	0 ohms
CW 2.5 KC	infinity
CW 6 KC	infinity
ISB	infinity

- (6.16) Connect AN/PSM-4 meter (+DC, RX1 scale) between ground and pin L. Rotate the "MODE" switch through all positions. The meter should indicate as follows:

<u>"MODE"</u> <u>Switch Position</u>	<u>Simpson</u> <u>Meter Indication</u>
AM 2.5 KC	infinity
AM 6 KC	infinity
CW 2.5 KC	0 ohms
CW 6 KC	0 ohms
ISB	infinity

- (6.17) Disconnect AN/PSM-4A meter.
- (6.18) Turn "Power" switch to on position.
- (6.19) BFO Adjustment.

- (6.19.1) Connect scope probe to TP8 (Counter should be connected to "Vertical Signal Out" of scope).
- (6.19.2) Place "Mode" switch to "CW 2.5 KC" position.
- (6.19.3) Rotate "Sync BFO" control fully clockwise ("+ 3 KC") and adjust R23 for a Counter reading of 253.5 KC.
- (6.19.4) Rotate "Sync BFO" control fully counter clockwise ("-3 KC") and adjust R24 for Counter reading of 246.5 KC.
- (6.19.5) Repeat steps (6.19.3) and (6.19.4) alternately until both frequencies are on within a tolerance of ±500 cps.

- (6.19.6) The amplitude of the signal at TP8 should be approximately 8.0 V P-P.

- (6.19.7) Remove scope probe.

- (6.20) Set the Signal Generator for a frequency of 250 KC and at an amplitude of 30 mv RMS.
- (6.21) Connect scope probe between TP1 and ground. A 250 KC sine wave should be displayed at an amplitude of approximately .2 V P-P.
- (6.22) Connect scope probe between TP10 and ground. Adjust "Sync BFO" control for a signal of approximately 1 KC.
- (6.23) Disconnect scope probe.
- (6.24) Connect AN/USM-106A Meter between TP10 and ground and adjust R52 for a level of 420 mv RMS. Remove meter.
- (6.25) Set "Meter Sensitivity" switch to "+10".
- (6.26) Adjust "Sync B2", "Line Level Adjust" CW until the "Line DBM" meter reads full scale (+2 dbm).
- (6.27) Connect AN/USM-106A meter between TP13 and ground.
- (6.28) The signal level should be 70 mv RMS ±10%. Remove meter.
- (6.29) Place "Mode" switch in "AM 6 KC" position.
- (6.30) Modulate the Signal Generator internally with the 1 KC tone at 75%.
- (6.31) Connect AN/USM-106A meter between TP10 and ground. Adjust R10 for a level of 410 mv RMS.
- (6.32) "Line DBM" meter should be indicating close to full scale.
- (6.33) Turn "Sync B2", "Line Adjust" fully CCW. Disconnect AN/USM-106A meter.
- (6.34) Turn "Power" switch to off position, and remove test equipment.
- (6.35) Remove 2A4 board and extender card from chassis socket, and return 2A4 card to proper chassis socket.

7. Monitor, Diversity (2A2) (A4628) Figure 5-45
  - (7.1) Other boards required: All cards.
  - (7.2) Equipment required:
    - Signal Generator, HP-606B, or equivalent.
    - Oscilloscope, AN/USM-281A, or equivalent.
    - VOM, AN/PSM-4A, or equivalent.
  - (7.3) Meter function switch on the TN-525/FRR should be in "RF Low" position.
  - (7.4) Preset the following controls on 2A2 to mid-range.
    - (a) R16
    - (b) R43
    - (c) R65
    - (d) R75
    - (e) R30
    - (f) R56
    - (g) R70
  - (7.5) Preset the following controls on 2A2 to maximum CW.
    - (a) R20
    - (b) R46
    - (c) R33
    - (d) R59
  - (7.6) Insert extender card in the 2A2 socket of the TD-969/FRR and insert the 2A2 card in the extender card socket.
  - (7.7) Connect a T-connector to the RF output of the Signal Generator, and a 50 ohm load and an output cable to the T-connector.
  - (7.8) Connect Signal Generator output cable to J9, "I. F. In" on the TD-969/FRR.
  - (7.9) Connect 4 ohm load across pins B and E of J14 "Speaker".
  - (7.10) On the TD-969/FRR set all "AGC Source" switches to closed loop (i.e. A1 Source in A1 position, A2 Source in A2 position, etc.).
  - (7.11) Place all "AGC Time Constant" switches in "Med" position.
  - (7.12) Set "Local Gain" fully CCW.
  - (7.13) Place "Mode" switch to "AM 2.5 KC" position.
  - (7.14) Place "Monitor Selector" switch to "Sym".
  - (7.15) Set "Meter Sensitivity" switch to "+10" position.
  - (7.16) Turn "Sym BFO" control maximum CW.
  - (7.17) All "Line Level Adjust" controls should be set to mid-range.
  - (7.18) Turn "Power" switch on the TD-969/FRR to on position.
  - (7.19) Connect AN/PSM-4A meter (+DC, 50 V scale) between TP21 and ground. Meter should read +24 VDC  $\pm 10\%$ .
  - (7.20) Connect AN/PSM-4A meter (+DC, 50V scale) between TP19 and ground. Meter should read +12 VDC  $\pm 10\%$ .
  - (7.21) Connect AN/PSM-4A meter (+DC, 50V scale) between TP3 and ground. Meter should read +15 VDC  $\pm 10\%$ .
  - (7.22) Connect AN/PSM-4A meter (+DC, 50V scale) between TP17 and ground. Meter should read +12 VDC  $\pm 10\%$ .
  - (7.23) Connect AN/PSM-4A meter (-DC, 50V scale) between TP22 and ground. Meter should read -24 VDC  $\pm 10\%$ .
  - (7.24) Connect AN/PSM-4A meter (-DC, 50V scale) between TP20 and ground. Meter should read -12 VDC  $\pm 10\%$ .
  - (7.25) Disconnect AN/PSM-4A meter.
  - (7.26) Set Signal Generator to a frequency of 250 KC and internally modulate the Signal Generator with 1000 cps tone at 75%.
  - (7.27) Set Signal Generator output for an amplitude of 30 mV RMS.
  - (7.28) Connect scope probe to TP1 on A2 card and adjust "Local Gain" control for a signal at 500 mv P-P.
  - (7.29) Connect scope probe between TP2 and ground. A sine wave should be displayed at approximately 4.4 V P-P.



- (7.30) Connect scope probe between TP4 and ground. A sine wave should be displayed at approximately 4.4 V P-P. repeated until the "RF Level Meter" does indicate an approximate increase of 10 db.
- (7.31) Connect scope probe across 4 ohm load (ground lead of probe on pin B of J14, "Speaker"). Adjust "Local Gain" control for an output of 5.6 V P-P (2 V RMS) on the scope. A sine wave should be displayed.
- (7.32) Remove internal modulation from the Signal Generator by placing it in the CW mode.
- (7.33) On Unit 2 place the "MODE" switch in the "CW 6 KC" position.
- (7.34) Adjust "Local Gain" for an output of 5.6 V P-P as displayed on the Scope. A sine wave should be displayed.
- (7.35) Place "Mode" switch in "ISB" position and "Monitor Selector" in "B2" position.
- (7.36) Tune signal generator for an output signal as indicated on the scope (still connected across load on the speaker jack).
- (7.37) Adjust "Local Gain" for an output of 5.6 V P-P. A sine wave should be displayed on the scope.
- (7.38) Repeat steps 7.35, 7.36, and 7.37 for channels B1, A1, and A2. Remove scope probe.
- (7.39) Set the Signal Generator level to 1 mV RMS and to an approximate frequency of 250 KC.
- (7.40) With the "Mode" switch still set in "ISB" and the "Monitor Selector" in the "A-2" position, tune the Signal Generator for an output in the A-2 Channel by monitoring the "Line DBM" meter, on the TD-969/FRR. ("Line Level Adjust" and "Meter Sensitivity" switch should be used as required).
- (7.41) Adjust R75 on the A2 card so that "RF/AFC Level Meter" on the TN-525/FRR reads slightly higher than mid-scale.
- (7.42) Increase the Signal Generator output 10 db. The "RF/AFC Level Meter" should be slightly adjusted and steps 22 through 25
- (7.43) With the Signal Generator level set to 1 mV, adjust R75 so that the "RF/AFC Level Meter" reads 20 db above 1 uV.
- (7.44) Select "CW 2.5 KC" with the "Mode" switch, select "Sym" with the "Monitor Selector" switch, and place "Sym BFO" mid-range.
- (7.45) Tune the Signal Generator for an output in the approximate center of the symmetrical channel, by monitoring the "Line DBM" meter on the TD-969/FRR ("Line Level Adjust" and "Meter Sensitivity" switch should be used as required).
- (7.46) Adjust R65 for 20 db above 1 uV as indicated on the "RF/AFC Level Meter".
- (7.47) Turn "Power" switch to off position, and remove all test equipment.
- (7.48) Remove 2A2 board and extender card from chassis socket and return 2A2 card to proper chassis socket.
- (7.49) Reconnect the TD-969/FRR into the system.

### (3) REFERENCE GENERATOR 0-1510/URR

A. Pre-alignment Instructions - Refer to the following diagrams:

Figure 5-59, 0-1510/URR

Figure 5-64, Power Supply 3A2

Figure 5-66, 1MC Distribution 3A3

Figure 5-68, 1 MC Selector 3A4

Figure 5-70, 100 KC Selector 3A5

Figure 5-72, Matrix Distributor 3A6, 3A7

Figure 5-74, Matrix Distributor 3A8

Figure 5-75, Mixer Amplifier 3A9, 3A10, 3A11

Figure 5-78, Mixer Amplifier 3A12

Figure 5-80, Final Mixer/Output 3A13

Component locations, controls, adjustments and other important data will be found on assembly drawings.

The purpose of the alignment section is the adjustment, tuning and peaking of the entire reference generator or any particular section. It is anticipated that the technician will have isolated trouble by means of the Functional Test Data and Servicing Block Diagrams in Section 4 of this manual. In any case, this procedure may be used to completely align a reference generator or to align a reference generator or to align and/or check individual cards. If a complete alignment is desired, follow the procedure in sequence. If an individual board is to be aligned, simply follow the directions for that particular section. Each particular section names the circuit boards for that generator which must be in place and aligned. If all boards are in place and aligned, this cautionary mention may be disregarded.

Observe polarity with the extender card. As the technician faces the front panel, numbers on the extender card are on the right, letters on the left. Only the 3A2 card components face right. On all other cards in the 0-1510/URR the components face left.

All variable inductor and transformer alignments must be carried out with a non-inductive alignment tool. Extreme care should be taken with variable inductor slugs, which are brittle.

Absolute stability and accuracy of internally generated frequencies will depend on time allowed for warmup of the internal 1 mc standard. For absolute measurements of phase comparison of the 1 mc standard, a 24 hour warmup period is required. For general alignment, a 1/2 hour warmup period will suffice.

Insert 50 ohm dummy load terminators in J3, J4, J6 and J7 whenever the 3A13 board is inserted and the 0-1510/URR drawer is "bench" aligned away from the receiver and not interconnected with it.

#### B. Test Equipment and Tools Required -

This paragraph lists all test equipments required for a complete alignment. Each section of the alignment procedure lists the particular equipment and tools required for alignment of that section.

- (1) VOM: AN/PSM-4C, or equivalent.
- (2) Oscilloscope: AN/USM-281A, or equivalent.
- (3) Frequency Counter: AN/USM-207, or equivalent.
- (4) Signal Generator: HP-606B, or equivalent.
- (5) Non-inductive alignment tool.

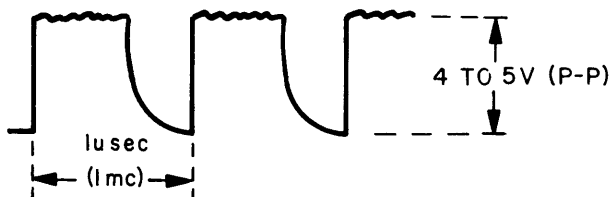
C. Initial Control Settings - Covered in alignment procedures.

#### D. Alignment Procedure

1. Power Supply (3A2) (A4687)  
Figure 5-64
  - (1.1) Other boards required: None
  - (1.2) Equipment required:  
AN/PSM-4A, or equivalent.
  - (1.3) Turn power switch to OFF.  
Insert 3A2 card into extender  
and insert in proper chassis  
slot.
  - (1.4) Set R4, R13, R22 fully CCW.
  - (1.5) Set R7, R16, R25 to approxi-  
mately mid position.
  - (1.6) Connect VOM to TP-2 on +50  
volt DC range.
  - (1.7) Turn power on.
  - (1.8) Adjust R7 for +25 volts DC.
  - (1.9) Connect the VOM to TP-5.
  - (1.10) Adjust R-16 for +16 volts DC.
  - (1.11) Connect the VOM to TP-8 on  
+10 volts DC range.
  - (1.12) Adjust R25 for +5.4 volts DC if  
no other cards are inserted. If  
all other cards are inserted,  
adjust R25 for +5 volts DC.
  - (1.13) Turn power OFF.
  - (1.14) Connect the (+) leads of the  
VOM to TP-2, the (-) lead to  
TP-3. Set the meter for  
10 AMP function.
  - (1.15) Turn power ON.
  - (1.16) Adjust R4 for 800 ma.
  - (1.17) Turn power OFF.
  - (1.18) Connect (+) lead of VOM to TP-8  
and (-) lead to TP-9, with meter  
set for 10 AMP function.
  - (1.19) Turn power ON.
  - (1.20) Adjust R22 for 1.3 amperes.
  - (1.21) Turn power OFF.
  - (1.22) Insert A2 board into the chassis,  
removing the extender card  
and VOM.

2. One MC Distribution Card (3A3) (A4688) Figure 5-66
  - (2.1) Other boards required: A2
  - (2.2) Equipment required:
    - Oscilloscope, AN/USM-281A, or equivalent.
    - Frequency Counter, AN/USM-207, or equivalent.
    - Signal Generator, HP-606B, or equivalent.
    - Non-inductive alignment tool.
  - (2.3) Turn power OFF.
  - (2.4) Insert 3A3 card into extender and plug into proper chassis slot.
  - (2.5) Turn power ON.
  - (2.6) Connect scope and counter to TP-2. A 1 MC sine wave from 2.8 to 4.0 volts P-P, should be observed.
  - (2.7) Remove scope and counter. Turn power OFF.
  - (2.8) Remove 3A3 temporarily from the extender. Carefully insulate pin 2 with thin electrical tape. Re-insert 3A3 into extender. Turn power ON.
  - (2.9) Connect signal generator to the left side of the 47 ohm resistor at pin 2 of 3A3. Set the generator to 1 MC  $\pm 10$  cycles. Connect the scope and counter to TP-2. The signal generator level should be 700 mv (RMS). This corresponds to 2 volts (P-P) on the oscilloscope.
  - (2.10) Adjust R76 until the INTERNAL standard lamp just lights.
  - (2.11) Slowly increase the signal generator output. The INTERNAL alarm light should extinguish at approximately 725 mv from the generator.
  - (2.12) Turn power OFF. Remove tape from pin 2. Disconnect signal generator, scope and counter. Remove 3A3 card into extender. Turn power ON. INTERNAL alarm lamp should be out.
  - (2.13) Connect signal generator to J5 signal generator to J5 (1 MC EXTERNAL INPUT). Connect scope and counter to TP-1. Adjust generator for 1 MC and 10 cps, 700 mv (RMS).
  - (2.14) Adjust R61 until EXTERNAL alarm lamp just goes out. (about 650 mv from generator).
  - (2.15) With signal generator at 1 mc  $\pm 10$  cps, set PHASE COMPARATOR/FREQUENCY DIFFERENCE switch to FREQUENCY DIFFERENCE.
  - (2.16) Adjust R30 so that front panel meter oscillates about center scale.
  - (2.17) With signal generator at 1 mc  $\pm 5$  cps, adjust R37 so that meter excursions just reach the RED. Readjust R30 as necessary to keep the swing symmetrical about center scale.
  - (2.18) Move the signal generator about 50 cps from 1 mc. The meter needle should rest near center scale.
  - (2.19) Connect VOM on +10 volt DC range to TP-8. Adjust R48 for +4.5v.
  - (2.20) Disconnect the signal generator from J5.
  - (2.21) Connect VOM on +10v DC range to TP-21. Adjust R56 for +4.5v DC. Remove VOM.
  - (2.22) Connect scope and counter to TP-14. A 1 mc rectangular waveform at about 2.5v P-P, should be observed.
  - (2.23) Connect the scope and counter to TP-23. Adjust L-11 for maximum 1 mc sine wave. (about 1.5v P-P).
  - (2.24) Connect the scope and counter to TP-15. Adjust R89 for 2.8v (P-P) 1 mc signal.
  - (2.25) Verify with the scope and counter that a 1 mc sine wave is present at TP-16 and TP-17 (about 1.5v P-P).
  - (2.26) Remove test equipment. Turn power OFF. Remove the 3A3 card from the extender and place it directly into its proper chassis slot.

3. 1 MC Harmonic Generator (3A4) (A4689) Figure 5-68
- (3.1) Other boards required: A2, A3.
- (3.2) Equipment required:
- Oscilloscope, AN/USM-281A, or equivalent.
- VOM, AN/PSM-4C, or equivalent.
- Frequency Counter, AN/USM-207, or equivalent.
- Non Inductive alignment tool.
- (3.3) Turn power OFF.
- (3.4) Insert 3A4 card with extender into proper chassis slot.
- (3.5) Turn power ON.
- (3.6) Make the following DC voltage measurements:
- |      |          |
|------|----------|
| TP-1 | +15 v DC |
| TP-3 | + 5 v DC |
- (3.7) Connect the scope and counter to TP-5. The following waveform should be observed:



- (3.8) Connect scope and counter to TP-6. Adjust L3, L4 for maximum 11 mc signal. (0.7-1.0v P-P).
- (3.9) Connect scope and counter to TP-12. Adjust L19, L20 for maximum 17 mc signal. (1.0-1.5 v P-P).
- (3.10) Connect scope and counter to TP-11. Adjust L16, L17 for maximum 16 mc signal. (1.0-1.5v P-P).
- (3.11) Connect scope and counter to TP-9. Adjust L9, L10 for maximum 10mc signal. (1.0-1.5v P-P).

- (3.12) Connect scope and counter to TP-10. Adjust L13, L14 for maximum 12 mc signal. (1.0-1.5 v P-P).

- (3.13) Connect scope and counter to TP-8. A sine wave of amplitude 0.6-1.5v (P-P), should be observed, as follows:

<u>10 mc Selector</u>	<u>Frequency</u>
0	3 mc
1	4 mc
2	5 mc
3	6 mc

- (3.14) Connect scope and counter to TP-13. Adjust L5, L6 for maximum 14 mc signal. (1.5-2.0v P-P).

- (3.15) Connect scope and counter to TP-7. A clean sine wave, amplitude 0.5-1.0v P-P should be observed, at 1.4 mc.

- (3.16) Remove test equipment. Turn power OFF. Insert 3A4 card directly into proper chassis slot.

4. 100 KC Spectrum Generator (3A5) (A4690) Figure 5-70

- (4.1) Other boards required: A2, A3

- (4.2) Equipment required:

VOM, Model AN/PSM-4C, or equivalent.

Oscilloscope, AN/USM-281A, or equivalent.

Frequency Counter, AN/USM-207, or equivalent.

Non inductive alignment tool.

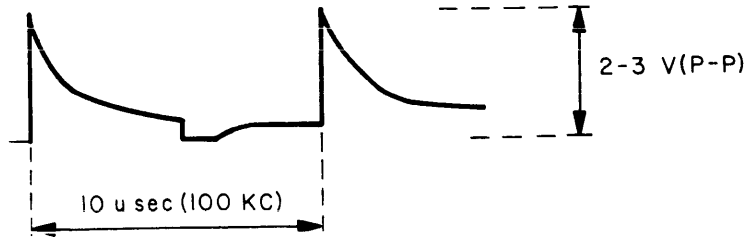
- (4.3) Turn power OFF.

- (4.4) Insert 3A5 board with extender in proper chassis slot.

- (4.5) Turn power ON.

- (4.6) With VOM, measure the voltage at TP-2. It should be +15v DC.

- (4.7) Connect scope and counter to TP-5. The following waveform should be observed:



- (4.8) Connect the scope and counter to the test points indicated below, tuning the designated inductors for maximum signal. The amplitude should be between approximately 0.8 and 1.8 volts P-P.

Test Point	Adjust	Frequency
6	L3, L4	16.2 mc
7	L5, L6	16.6 mc
8	L7, L8	16.9 mc
9	L9, L10	16.4 mc
10	L11, L12	16.1 mc
11	L13, L14	16.5 mc
12	L15, L16	16.8 mc
13	L17, L18	16.3 mc
14	L19, L20	16.7 mc

- (4.9) Disconnect test equipment. Turn power OFF. Insert 3A5 card directly into its proper chassis slot.

5. .1KC and 1KC Frequency Selection Matrix (3A6) (A4691)  
Figure 5-72

- (5.1) Other boards required: A2, A3, A4, A5

- (5.2) Equipment required:  
VOM, AN/PSM-4C, or equivalent.

Oscilloscope, AN/USM-281A, or equivalent.

Frequency Counter, AN/USM-207, or equivalent.

- (5.3) Turn power OFF.  
 (5.4) Insert 3A6 board with extender into proper chassis slot.  
 (5.5) Turn power ON.  
 (5.6) With VOM, measure the DC voltage at TP-1. It should be 15 volts DC.  
 (5.7) Connect scope and counter to TP-3. Rotate the .1 kc selector switch through its ten positions and observe the frequencies listed below. The minimum allowable amplitude in any position is approximately 1.5v P-P.

<u>.1 KC Switch Position</u>	<u>Frequency</u>
0	16.0 mc
1	16.1 mc
2	16.2 mc
3	16.3 mc
4	16.4 mc
5	16.5 mc
6	16.6 mc
7	16.7 mc
8	16.8 mc
9	16.9 mc

(Leave the .1KC selector in position "0".)

- (5.8) Connect the scope and counter to TP-4. Rotate the 1 KC selector switch through its ten positions, observing the frequencies indicated below. The minimum allowable amplitude is approximately 1.5v P-P.

<u>1 KC Switch Position</u>	<u>Frequency</u>
0	16.0 mc
1	16.1 mc

<u>1 KC Switch Position</u>	<u>Frequency</u>
2	16.2 mc
3	16.3 mc
4	16.4 mc
5	16.5 mc
6	16.6 mc
7	16.7 mc
8	16.8 mc
9	16.9 mc

(Leave the 1 KC selector in position "0".)

(5.9) Turn power OFF. Remove scope and counter. Insert 3A6 card directly into proper chassis slot.

6. 10 KC and 100 KC Frequency Selection Matrix (3A7) (A4691) Figure 5-72

Note: 3A7 and 3A6 are identical and interchangeable.

(6.1) Other boards required: A2, A3, A4, A5

(6.2) Equipment required:

VOM, AN/PSM-4C, or equivalent

Oscilloscope, AN/USM-281A, or equivalent.

Frequency Counter, AN/USM-207, or equivalent.

(6.3) Turn power OFF.

(6.4) Insert 3A7 card into extender and plug into proper chassis slot.

(6.5) Turn power ON.

(6.6) Measure, with VOM, the voltage at TP-1. It should be +5 volts DC.

(6.7) Connect scope and counter to TP-3. Rotate the 100 KC selector switch through its ten positions, and observe the frequencies indicated below. Minimum amplitude is approximately 1.5v P-P.

<u>100 KC Switch Position</u>	<u>Frequency</u>
0	16.0 mc
1	16.1 mc
2	16.2 mc
3	16.3 mc
4	16.4 mc
5	16.5 mc
6	16.6 mc
7	16.7 mc
8	16.8 mc
9	16.9 mc

(Leave the 100 KC switch in position "0".)

(6.8) Connect the scope and counter to TP-4. Rotate the 10 KC selector switch through its ten positions and observe the frequencies indicated below. Minimum amplitude is approximately 1.5v P-P.

<u>10 KC Switch Position</u>	<u>Frequency</u>
0	16.0 mc
1	16.1 mc
2	16.2 mc
3	16.3 mc
4	16.4 mc
5	16.5 mc
6	16.6 mc
7	16.7 mc
8	16.8 mc
9	16.9 mc

(Leave the 10 KC switch in position "0".)

(6.9) Turn power OFF. Disconnect test equipment. Insert 3A7 card directly into proper chassis slot.

7. 1 MC Frequency Selection Matrix (3A8) (A4692) Figure 5-75

(7.1) Other boards required: A2, A3, A4, A5.

- (7.2) Equipment required:  
 VOM, AN/PSM-4C, or equivalent.  
 Oscilloscope, AN/USM-281A, or equivalent.  
 Frequency Counter, AN/USM-207, or equivalent
- (7.3) Turn power OFF.
- (7.4) Insert 3A8 card into extender and insert into proper chassis slot.
- (7.5) Turn power ON.
- (7.6) Measure the DC voltage at TP-3. It should be +5 volts.
- (7.7) Measure the DC voltage at extender card pin "D". It should be +15 volts.
- (7.8) Connect scope and counter to TP-1. Rotate the 1 mc selector switch through its ten positions, observing the frequencies indicated below. The minimum required amplitude in each case is 0.45 volts P-P.

<u>1 MC Switch Position</u>	<u>Frequency</u>
0	17.0 mc
1	16.9 mc
2	16.8 mc
3	16.7 mc
4	16.6 mc
5	16.5 mc
6	16.4 mc
7	16.3 mc
8	16.2 mc
9	16.1 mc

(Leave the 1 mc switch in position "0").

- (7.9) Remove test equipment. Turn power OFF. Insert 3A8 card directly into proper chassis slot.

8. Basic Amplifier-Mixer (3A9) (A4693) Figure 5-76
- (8.1) Other boards required: A2, A3, A4, A5, A6.
- (8.2) Equipment required:  
 VOM, AN/PSM-4C, or equivalent.  
 Oscilloscope, AN/USM-281A, or equivalent.  
 Frequency Counter, AN/USM-207, or equivalent.  
 Signal Generator, HP-606B, or equivalent.  
 Non-inductive tuning tool.
- (8.3) Turn power OFF.
- (8.4) Insert 3A9 card with extender into proper chassis slot.
- (8.5) Turn power ON.
- (8.6) With VOM measure DC voltage as follows:  
 TP-1: +15 volts DC  
 TP-2: +5 volts DC
- (8.7) Connect scope and counter to TP-3. Adjust R1 for maximum signal. It should be 1.4 mc, 0.5 to 1.0 volts P-P.
- (8.8) Connect scope and counter to TP-4. Adjust L1 for maximum 1.4 mc signal. (about 1.0 volts P-P).
- (8.9) Adjust R1 for minimum signal at TP-4.
- (8.10) Connect scope and counter to TP-5. Adjust R13 for maximum 11.0 mc signal. (1.0-1.5 volts P-P).
- (8.11) Connect scope and counter to TP-15. Adjust L5 and R11 for maximum 11 mc signal. (about 1.0-1.5 volts P-P).
- (8.12) Adjust R13 for zero signal at TP-15.
- (8.13) Connect a signal generator at 12.4 mcs from TP-6 to TP-22.

- Set the generator output initially at 50,000 microvolts. In no case exceed 100,000 microvolts.
- (8.14) Connect scope and counter, (highest sensitivity), from TP-8 to TP-21.
  - (8.15) Adjust carefully and slowly the following components, in the order indicated, for maximum 12.4 mc signal at TP-8: R37, R26, L2, C78, L3, L4. Initially, the signal amplitude may be extremely small. As signal increases, reduce the signal generator output to keep the signal amplitude at TP-8 at about 0.5 volts P-P. Readjust L2, C78, L3, L4 at least twice. Disconnect signal generator from TP-6.
  - (8.16) Connect scope and counter to TP-4. Adjust R1 for 0.6 volts P-P, 1.4 mc, at TP-4.
  - (8.17) Connect scope and counter to TP-15. Adjust R13 for .35 volts P-P, 11 mc, at TP-15.
  - (8.18) Connect scope and counter to TP-8. Adjust T1, C11, C78, L2, L3, L4, R37, R11 for maximum 12.4 mc signal at TP-8.
  - (8.19) Repeat adjustment of T1, C11, C78, L2, L3 and L4 twice. Signal amplitude should be about 1.5 volts P-P.
  - (8.20) Adjust R11 for a dip in signal amplitude at TP-8. This is a small dip. If the pot has 360<sup>o</sup> rotation, do not adjust for zero signal. After dip, signal should be in excess of 1.2 volts P-P.
  - (8.21) Adjust R26 for zero signal at TP-8.
  - (8.22) Connect scope and counter to TP-23. Adjust R47 for maximum 1.6 mc signal at TP-23. (At least 1.0 volts P-P). Then adjust R-47 for zero signal at TP-23.
  - (8.23) Connect a signal generator at 14 mc, 100,000 microvolts, between TP-11 and TP-18. Connect scope and counter to TP-14.
  - (8.24) Adjust, in order, R56, R37, L6, C79, L7, L8 for maximum 14 mc signal. Reduce signal generator output as necessary to prevent exceeding 0.5 volts P-P at TP-14.
  - (8.25) Remove signal generator. Connect scope and counter to TP-8. Adjust R26 for 1.2 volts P-P at 12.4 mcs.
  - (8.26) Connect scope and counter to TP-23. Adjust R47 for 0.8 volts P-P, 1.6 mcs.
  - (8.27) Connect scope and counter to TP-14. Adjust R37, T2, C3, C79, L6, L7, L8, twice. The signal at TP-14 should be about 1.0 volts P-P.
  - (8.28) Adjust R37 for a dip in the signal at TP-14. The dip will be small. If the pot has 360<sup>o</sup> rotation, do not adjust for zero signal.
  - (8.29) Adjust R56 for 0.8 volts P-P at TP-14.
  - (8.30) Connect scope and counter to TP-13. Signal should be 0.8 volts P-P, 1.4 mcs.
  - (8.31) Remove test equipment. Turn power OFF. Insert 3A9 card directly into proper chassis slot.
9. Basic Amplifier-Mixer (3A10)  
  
Use the same procedure as for 3A9 except that the following boards are required: A2, A3, A4, A5, A6, A9.  
  
Have 100 KC, 10 KC, 1 KC and .1 KC selector switches in position "0".
  10. Basic Amplifier-Mixer (3A11)  
  
Use the same procedure as for 3A9, 3A10, except that the following boards are required: A2, A3, A4, A5, A6, A7, A9, A10.  
  
Have 100 KC, 10 KC, 1 KC and .1 KC selector switches in position "0".
  11. Basic Mixer-Amplifier (3A12) (A4694) Figure 5-78  
  
Use the same procedure as for 3A9, 3A10, 3A11, except that:



	<u>10 MC SWITCH</u>	<u>FREQUENCY</u>
(1) Output at TP-13 will be 14 mcs.	0	3 mc
(2) Boards required are: A2, A3, A4, A5, A6, A7, A9, A10, A11.	1	4 mc
12. Final Mixer and Output Card (3A13) (A4695) Figure 5-80	2	5 mc
	3	6 mc
(12.1) Other board required: ALL	(12.11) Adjust R1 for 0.4 volts P-P on the lowest signal amplitude obtained at the 10 mc switch is related through its four numbered positions.	
(12.2) Equipment required:  Four 50 ohm dummy loads, (DNC) connected at J3, J4, J6, J7.  VOM, AN/PSM-4C, or equivalent.  Oscilloscope, AN/USM-281A, or equivalent.  Frequency Counter, AN/USM-207, or equivalent.  Non-inductive tuning tool.	(12.12) Connect scope and counter to TP-7. Adjust R66 for maximum 14 mc signal. (About 1.0 volts P-P). Turn .1 KC, 10 KC and 100 KC selector to "9". Signal at TP-7 should increase to 14.09999 mc. Leave all frequency selectors at "0".	
(12.3) Turn power OFF. Insert 3A13 into proper chassis slot with extender card. Turn power ON.	(12.13) Connect scope and counter to TP-8. Adjust R12 and L2 for maximum 14 mc signal. (More than 1.5 volts P-P).	
(12.4) Turn all frequency selectors to "0".	(12.14) Adjust R66 for 1.5 volts P-P, 14 mc, at TP-8.	
(12.5) With VOM, measure the DC voltage at the following test points:  TP-1: +15 volts DC TP-3: +25 volts DC TP-4: +5 volts DC	(12.15) Turn 10 mc selector to "3" (6 mc). Connect scope and counter to TP-9, highest sensitivity. Adjust T1, L3, R12, for maximum 20 mc signal.	
(12.6) Connect VOM to TP-17 on +30 volts DC range. Turn 10 mc switch to 3. Adjust R80 for +18 volts DC. Leave VOM at TP-17.	(12.16) Connect scope and counter to TP-10. Adjust R20, L4, L5 for maximum 20 mc signal.	
(12.7) Turn 10 mc switch to 0. Adjust R86 for +4 volts DC.	(12.17) Repeat adjustments of T1, L3, L4, L5.	
(12.8) Repeat steps 6 and 7 until the prescribed voltage are obtained as the 10 mc switch is moved from 0 to 3.	(12.18) Turn 10 mc selector to "0" (3 mc).	
(12.9) Connect scope and counter to TP-5. Adjust R1 for maximum signal. (.5-10 volts P-P).	(12.19) Connect VOM ON +10 volt DC range to TP-17. Leave scope and counter at TP-10.	
(12.10) Connect scope and counter to TP-6. Signal should be about 1.0 volts P-P, with frequency as follows:	(12.20) Adjust R86 slightly for maximum signal at TP-10. The VOM should read about +3.75 volts. Remove the VOM.	
	(12.21) Adjust C15, C16, C30, C31 for maximum 17 mc signal at TP-10.	
	(12.22) With 10 mc selector at "3", peak T1, L3, L4, L5. With	

10 mc selector at "0", peak C15, C16, C31. Repeat until optimum amplitude has been reached in both positions.

(12.23) Connect VOM to TP-17, on +10 volt DC range. Turn 10 mc selector to "1". If 18 mc signal at TP-10 is not equal to amplitudes obtained in switch positions 0 and 3, adjust R85 for maximum signal. The voltage at TP-17 should be about +6.3 volts DC.

(12.24) Turn 10 mc selector to "2". If 19 mc signal at TP-10 is not equal to signal amplitudes obtained in positions 0, 1, 3, adjust R87 for maximum 19 mc signal. The voltage at TP-17 should be about +11.0 volts DC.

Note: The signal amplitude at TP-10 in 10 mc selector positions 0, 1, 2, 3, should be about 1.0 volt P-P.

(12.25) Adjust R12 for a dip (not zero) in the output signal. The dip is very small, and will appear near the point of maximum amplitude.

(12.26) Set front panel selectors to 00.0000. Connect scope and counter to TP-11 (16 mc). Adjust R88 for maximum signal.

(12.27) Move the 1 mc selector through its ten positions; the amplitude should be at least 0.6 volts P-P and the frequency should be as follows:

<u>1 MC SWITCH</u>	<u>FREQUENCY</u>
0	17.0 mc
1	16.9 mc
2	16.8 mc
3	16.7 mc
4	16.6 mc
5	16.5 mc
6	16.4 mc
7	16.3 mc
8	16.2 mc
9	16.1 mc

(12.28) Connect scope and counter to TP-12. Adjust R88 for a signal level of 150 mv P-P. The signal is not expected to be "clean" at this point.

(12.29) Connect scope and counter to TP-14. A clean sine wave in the range 200 KC to 3.2 mc should be observed, at an amplitude of about 1 volt P-P. The frequency at this point is 1/10 of the frequency indicated by the front panel selectors. For example:

<u>FRONT PANEL</u>	<u>FREQUENCY: TP-14:</u>
02.0000	200 KC
05.200	520 KC
10.9999	1.09999 MC
32.0000	3.2000 MC

Note: The range of the unit exceeds in actuality the range of 200 KC-3.2 MC. This procedure is concerned only with the range indicated.

(12.30) Connect scope and counter to TP-15. Adjust R63 for a clean sine wave, in the range .2 to 3.2 mc, at 2.8 volts P-P.

(12.31) Connect scope and counter to TP-16. A clean sine wave, in the range .2-3.2 mc, should be observed. (2.8 volts P-P).

(12.32) Set front panel selectors to 02.0000. Output frequency should be 200,000 cycles.

(12.33) Set front panel selectors to 10.0000. Output frequency should be 1,000,000 cycles.

(12.34) Move the .1 KC, 1 KC, 10 KC, 100 KC selectors in order, to position 9. The output should change in steps to 1,999,990 cycles.

(12.35) Set the front panel selectors to 31,0000. Output frequency should be 3,100,000 cycles. Move the .1 KC, 1 KC, 10 KC selectors, to 31.9999. The output should step to 3,199,990 cycles.

(12.36) Insert 3A13 card directly into proper chassis slot.

(12.37) Turn power OFF.

(4) COMMAND SIGNAL DECODER, KY-661/URR

A. Prealignment Instructions - Refer to the following diagrams:

Figure 5-83, RY-661/URR

Figure 5-108, 4A13 Power Supply

Figure 5-96, 4A5 Stepping Switch Gating Circuit

Figure 5-92, 4A3 Bit Shift Register

Remove the four screws holding the unit in the cabinet and pull it out of the cabinet until the slide locks click.

Remove the top cover to gain access to the Printed Circuit boards.

Before making the only two adjustments in the unit, the Power Supply voltage will be checked first.

There are two adjustments to be made:

1. The readback (clock) timing generator: The timing in milliseconds will depend upon the Baud rate being used in the system. 74.2 Baud is standard causing the pulses out of the timing generator to be 13.5 milliseconds.
2. The fault time delay: The time delay is started as soon as the system drops out of syn which puts a ground connection to the time delay circuit. Refer to figure 4-6.

B. Test Equipment Required

Frequency Counter, AN/USM 207

Multimeter, AN/PSM-4C

C. Control Positions

Power switch to ON.

D. Alignment Procedure

1. 4A13 Power Supply Check, Figure 5-108

With the AN/PSM-4C check the voltages listed below on the noted subassembly test

points. Be careful to observe polarity on the meter. All voltages will be  $\pm 10\%$ .

A12 -30 volts DC

A13 -12 volts DC  
+12 volts DC

A14 +28 volts DC  
+5.0 volts DC

2. 4A5 Fault Time Delay Adjustment, Figure 5-96

Turn power switch OFF.

Pull A5 out of its socket and place on a extender card and replace into its socket.

Connect one of a jumper wire to ground.

Turn power switch ON.

Connect the other end of jumper to Printed Circuit board pin "Y" and observe the time it takes for the fault to light. This time should be approximately 20 seconds from the time the ground is applied. If this is to be observed again leave the jumper connected and push the fault lamp to reset the circuit and observe the time from the pushing of the lamp. If necessary adjust 4A5R5 to set time delay to 20 seconds.

Turn power switch OFF.

Remove jumper and extender card. Replace A5.

3. 4A3 Time Generator (clock) Adjustment, Figure 5-92

Connect frequency counter to 4A3TP-2 and observe the time of clock. Adjust 4A3R1 so that counter indicates 27.0 milliseconds  $\pm 0.2$  milliseconds.

Remove counter.

Replace top cover on unit.

Depress slide fastening buttons and push unit into the cabinet being careful that cable retraction is taking place properly.

Replace 4 screws to hold unit in cabinet.

(5) SIGNAL DATA CONVERTER STORER,  
CV-2520(V)/URC

A. Pre-alignment Instructions - Refer to the following schematic and assembly drawings:

Figure 5-113, CV-2520(V)/URC

Figure 5-118, 5A1, Isolation Keyer

Figure 5-120, 5A2, Clock Timing Ckt.

Figure 5-130, 5A10, Power Supply

Remove the four screws holding the unit in the cabinet, and pull out unit from cabinet until the slide locks click.

Remove top cover to gain access to the Printed Circuit boards.

When using the extender card, it should be placed in the chassis sockets so that the test points on the extender card face toward the front panel of the unit. Only then will the test point identification coincide with the pin numbers and letters of the printed circuit boards.

The timing in milliseconds for this unit will depend upon the Baud rate being used in the system. The 74.2 Baud is standard, causing the pulses out of the timing generator of this unit to be 13.5 milliseconds. This standard will be used in the alignment and adjustment procedure. The Teletypewriter used should be compatible to this standard and should be connected as shown in figures 4-10 and 4-10A.

B. Test Equipment Required

Oscilloscope, AN/USM-281A

Frequency Counter, AN/USM-207

Multimeter (VOM), AN/PSM-4C

Teletypewriter, TT-176/UG

DC Loop Supply

C. Control Positions

Set "Power" switch in the on position.

D. Alignment Procedure

(All steps in this procedure should be followed in a sequential order).

1. Power Supply Check (5A10)  
(A4549) Figure 5-130

(1.1) Using the AN/PSM-4C check the following power supply voltages at the corresponding test points, so marked on the

5A10 circuit board. Be careful to observe polarity on the meter. Voltages should be  $\pm 10\%$ .

+12 V

-12 V

-27 V

(1.2) Set "Power" switch to off position. With AN/USM-281A in DC function, connect scope probe to "DC RESET" test point. Set "Power" switch to on position observing oscilloscope screen. Observed DC reset level should rise to approximately +3DC and then fall and remain at approximately -5 V DC.

(1.3) Disconnect test equipment and set "Power" switch to off position.

2. Isolation Keyer (5A1) (A4494)  
Figure 5-118

(2.1) Remove A-2 from socket, place on extender card and return to socket.

(2.2) Set 5A1R4 fully counterclockwise.

(2.3) Externally trigger Oscilloscope, AN/USM-281A, with signal on pin 12 of 5A1.

(2.4) Allow a free run trace on the scope by adjusting the "stability" and "triggering level".

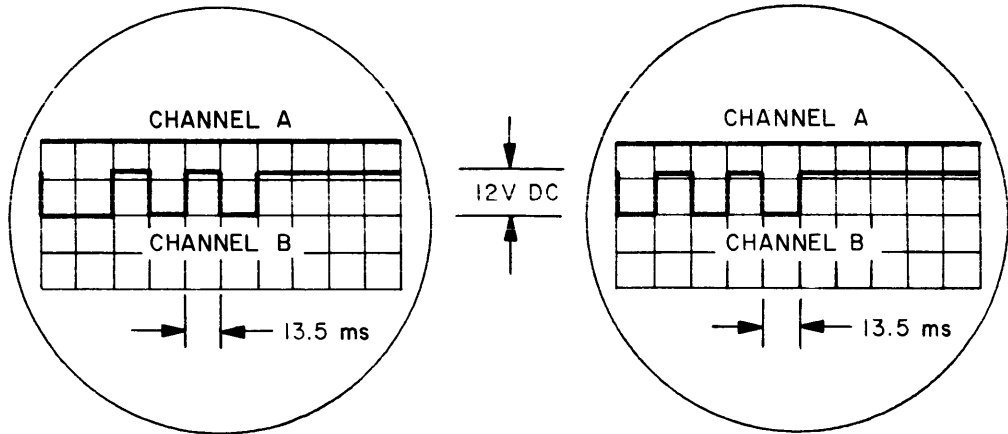
(2.5) Set up both Channels on oscilloscope for DC inputs, and set "Volts/cm" on Channels A and B for "10 volts/cm" position with variable in calibrated position. Using "vertical position" controls, set zero references for A and B sweeps. Set Channel A sweep at the top of the screen for zero volts. Set Channel B sweep at center for zero volts.

(2.6) Connect ground lead of scope probe for Channel B to pin 15 of 5A1 and the scope probe to pin 12 of 5A1. The Channel B trace should go to +12 VDC. Reduce the "stability" on scope until trace just disappears.

(2.7) Alternately send R's and Y's on the Teletypewriter keyboard

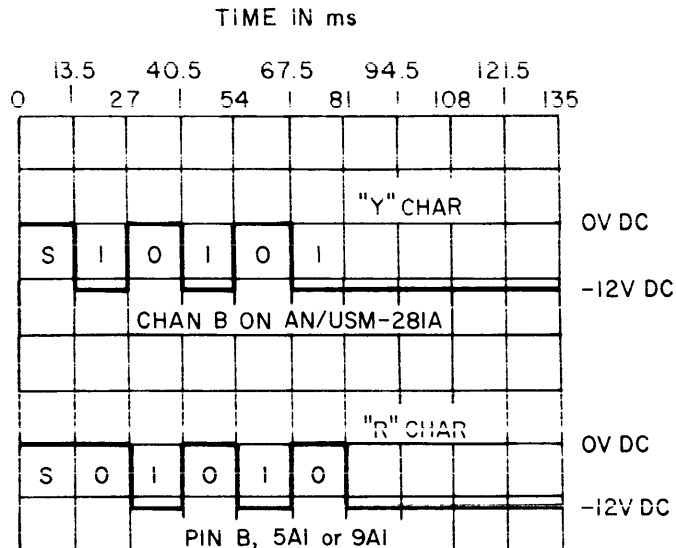
to display their corresponding waveforms on the scope. (It may be necessary to adjust "triggering level" on scope to obtain waveform display.) Adjust the "variable time/cm. of the horizontal sweep on the

scope until the pulse duration of a mark or space in the R and Y codes occupies 1cm. The horizontal sweep of the scope is 13.5 millisecc./cm. or 135.0 millisecc. for the entire horizontal sweep. The following waveforms should be observed.

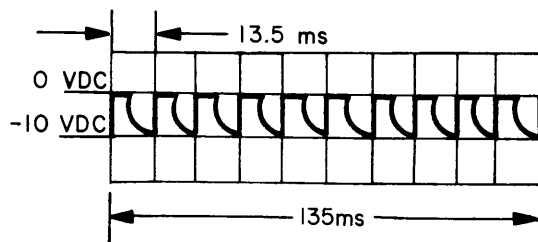


- (2.8) Turn "Power" switch to ON position.
- (2.9) Place scope probe for Channel B on pin B of 5A1 (use extender card test point) and ground lead for scope probe to chassis ground. Channel B sweep should be at -12 V.

- (2.10) Continue to alternately send R's and Y's on the Teletype-writer keyboard, and adjust R-4 so that the pulse duration for a start, mark, or space pulse occupies 1cm. on the horizontal display of the scope.



- (2.11) Remove scope probe and trigger input line from 5A1. Turn "Power" switch to OFF position. Remove 5A1 and extender card from socket, and return 5A1 to its own socket.
- (2.12) Disconnect Teletypewriter and DC Loop Supply.
- 3. Clock Timing Circuit (5A2) (A4565) Figure 5-120
- (3.1) Remove 5A3 from chassis socket.
- (3.2) Remove 5A2 from socket, place on extender card and return to socket.
- (3.3) Connect jumper between pin 4 of 5A2 and TP4 on 5A2.
- (3.4) Connect Channel A scope probe to TP6 and ground lead to pin A of 5A2.
- (3.5) Connect "vertical signal output" of Oscilloscope to "AC Signal Input" of Frequency Counter.
- (3.6) On the counter set the "function" to "1" "period average", "time base" to "10 microsec.", and "Sensitivity Volts RMS" to ".1".
- (3.7) Turn "Power" switch to ON position.
- (3.8) Allow a free run trace on scope by adjustment of "stability". The pulse output of the Timing Generator Z2 will be displayed on the scope. The direction time will be displayed on the counter.
- (3.9) Adjust 5A2R2 so that the pulse duration time, as displayed on the Counter, is 13.5 millisecc and 1 pulse occupies 1 cm, as displayed on the horizontal sweep of the Oscilloscope.



- (3.10) Turn "Power" to OFF position. Disconnect test equipment. Remove jumper. Remove 5A2 and extender card from socket. Return 5A2 and 5A3 to their respective chassis sockets.

#### 4. Completion

Replace top cover on unit. Depress slide fastening buttons and push unit into cabinet being careful that cable retraction is taking place properly. Replace 4 screws to hold unit in cabinet.

#### E. Emergency Maintenance

The following sub-assemblies may be interchanged and will perform the required function without requiring rewiring or replacement of component parts.

TN-525/FRR, RF Tuner

- (1) A1A5DS1 and A1A5DS2

- (2) A1A50S3 thru A1A50S6

TD-969/FRR, Demultiplexer

- (1) A6, A-8, A-10 and A12

- (2) A15 thru A18

0-1510/URR, Reference Signal Generator

- (1) A6 and A7

- (2) A9, A10 and A11

- (3) A14 thru A19

KY661/URR Decoder

- (1) A6 thru A8

CV2520(V)/URC

- (1) A4 and A5

- (2) A7 and A8

Spare Fuses and Holders - Each unit contains a spare fuse in the spare fuse holder. These fuses may be used to replace a blown fuse in that unit. The spare fuse holder may be used for a damaged active fuse holder on any unit.

Air Cooling - If it has been determined that a unit has or is failing due to external (room) high temperature, the unit may be pulled out in its extended locked position and with the top cover removed cooled by a external fan or blower. This may also be done if the fan of a unit has failed.

1mc Standard - When a receiver's 1mc standard has failed, the standard from another 0-1510/URR may be used to replace it OR any external 1 mc standard from any source with a min. amplitude of 0.7 VRMS may be inserted at the external 1mc input jack.

## 5.2 REPAIR

### a. INTRODUCTION

These methods or procedures apply to assemblies or sub-assemblies whose removal, repair, and/or reassembly is not obvious.

There are no special tools required for the repair of this system. Standard type tuning tools are used for the tuning of tuned circuits.

#### **CAUTION**

Care should be taken in tuning coils as the slugs are brittle and may be damaged.

A good low wattage desoldering kit should be used for the removal of Printed Circuit board components. A low melting point solder such as, 60/40% will decrease the possibility of damage to new components due to too much heat being applied.

### b. TEST EQUIPMENT AND SPECIAL TOOLS

For the repair, removal and replacement of units, sub-assemblies and components special test equipment and tools ARE NOT required. Although an adequate set of miniature solid state repair tools should be a part of the standard tool box.

### c. REPAIR OF CHASSIS COMPONENTS AND WIRING

#### (1) Transistors, large power type -

Power transistors are mounted on the chassis and heat sinks. When replacing these transistors use a standard type "Thermal Compound" between the transistor and its mounting where the compound was used before.

#### **CAUTION**

Be careful in removing transistors from the chassis and heat sinks. Between the transistor and its mounting there may be a mica or other type insulator. The mica/insulator must be used and in position when a new transistor is remounted.

#### Removal of 3Q 1, 3Q 2, or 3Q 3

Pull out drawer to full extent.

Remove power plug from 3J1 on rear apron.

Remove top cover.

Tilt unit 90°, so that top faces front, and lock.

Remove four corner screws on the rear apron; the entire rear apron can be tilted back, allowing work on Q1, Q2, or Q3.

#### (2) Wiring

If it is determined that a wire is defective and it cannot be repaired proceed as follows: Determine the origin of both ends of the wire. Disconnect or unsolder one end. With a AN/PSM-4C used as an ohm meter measure the resistance from end to end. It should be "0" ohms. Unsolder or disconnect the other end and measure resistance again between both ends. If this wire is in a harness, remove it if possible. If the wire cannot be removed insulate both ends. Replace the wire along the same path as the original wire and use the same color and type.

#### **CAUTION**

Use the same size wire or a size larger, if necessary. Bind the wire to the harness as before.

### d. REMOVAL, REPAIR AND REPLACEMENT OF PARTS, SUB-ASSEMBLIES AND UNITS

#### (1) Printed Circuit Boards -

##### A. Removal and Replacement

The various boards in this receiver slide into the chassis on tracks, and, when pushed down to the limit engage female plugs and tension spring contacts. It is only necessary to grasp the board on both ends and apply pressure upward to disengage it. When plugging a board in, take care to engage the phenolic card in the guide slots and exert even pressure downward to seat the card firmly. Some boards cannot be removed by finger pressure alone. A tool is supplied to assist in disengaging these cards. In the case of the counter assembly boards in unit #1, a very small screwdriver can be used in the holes at the corners of the cards to pry the ends of the cards up evenly.

##### B. Repair

Printed Circuit board repair requires special techniques in order to prevent damage to the board and its associated components.

#### **CAUTION**

There are transistors mounted on Printed Circuit boards which require heat sinks. If any of these transistors are replaced, reinstall heat sinks.

#### (2) Stepping Switches -

A. TN-525/FRR Removal of Function Switch, 1A12.

Refer to figure 5-35.

lock. Slide out unit to its full extent and

Remove primary power plug at 1J5.

Remove top and bottom covers.

Remove knob by loosening two allen screws.

Remove cards A3, A4, A5, A6 and A7.

Remove three screws opposite A5, A6, A7 toward the front, which hold the switch bracket.

Remove the three screws (and nuts) opposite A5, A6, A7 toward the front, on the bottom of the same compartment.

Grasp the switch assembly firmly toward the rear and exert pressure downward. The fit is tight but the assembly should come out without the use of excessive force.

Loosen the three screws (on 1/4" spacers) holding the switch and PC board to the holding frame. Switch and PC board will now slide out easily.

Reassemble in the reverse order of removal.

B. TD-969/FRR Removal of Mode Switch and Time Constant Switch.

1. Mode Switch and AGC Time Constant Switch Assembly

lock. Slide unit out to its fullest and

Remove primary power plug at J2.

Remove top and bottom covers.

Remove control knobs by loosening two allen set screws on each of the following: Mode, AGC Time Constants B1, B2, A1 and A2. Tilt front of unit up 45 degrees.

Remove front panel by removing four philip head screws in line with handles.

Lift front panel up to clear switch shafts and let it hang on the cable harness.

Remove desired switch assembly by loosening 3 slotted screws holding assembly to the frame, and with the slightest pressure upward remove assembly with the Printed Circuit board.

Reassemble in the reverse order of removal.

C. 0-1510/URR "Megacycles" Stepping Switches.

Remove of Frequency Selector Switch Assemblies, 3A14 thru A19.

Slide out unit to its full extent and lock.

Remove plug from power jack 3J1.

Remove top cover.

Remove two screws at the extreme front end of switch assembly to be removed. Do not disturb the shock mount assembly.

Tilt unit 90° so that bottom faces technician, and lock.

Remove bottom cover.

Remove the two smaller screws at the extreme rear of switch bracket to be removed. Do not touch the two larger screws.

Tilt and lock unit to horizontal position.

Remove all six selector knobs on the front of unit by loosening allen screws.

Remove four screws holding front panels which are located in line with the drawer handles.

Remove four smaller screws holding front panel. These screws are located on a straight line on the lower half of the front panel.

Have an assistant hold the panel away from the chassis, as the required frequency selector assembly is lifted out.

Reassemble in the reverse order.

D. KY661/URR

Removal of Master Stepping Switch, A15.

Refer to Figure 5-112.

lock. Slide out unit to its fullest extend and

Remove primary power plug at J1.

Remove top and bottom covers.

Remove 2 small bolts and nuts from the left of A15 holding it to the chassis. NOTE: Do not remove bolts and nuts holding shock mounts.



Remove 2 bolts holding the right of A15 from the bottom of unit.

Remove unit by exerting a slight amount of pressure upward removing Printed Circuit board, which is attached, from its socket.

Replace new or repaired unit in reverse order of removal.

(3) Other Non-Repairable Sub-Assemblies -

A. Removal of Counter Assembly, 1A1 (Refer to Figure 5-134).

Slide out the TN 525/FRR to its full extent.

Remove primary power plug 1J5.

Tilt and lock the unit so that the bottom faces the technician.

Remove bottom cover.

With a flat blade screwdriver loosen 1P1 from 1A1J1 and P2 from 1A1J2.

With a phillips screwdriver loosen the ground connection at 1A1J1.

Return and lock the unit to a horizontal position.

Remove top cover.

Remove the four screws surrounding the readout window.

Lift the entire assembly straight up. Do not misplace the plastic window plate.



When replacing the counter assembly, be sure to connect 1P1 to 1A1J1 and 1P2 to 1A1J2.

B. Removal of Filter Assembly 1A13. See Figure 5-134 (3).

Turn power switch to OFF.

Remove all rear interconnect cabling.

Remove unit from cabinet and place on service bench.

Remove top and bottom covers.

Remove two screws in line with the right hand front panel handle.

Remove three screws on a line on the rear apron which hold rear apron to the right side.

Remove four LARGE screws, 2 top, 2 bottom, toward the right hand side, which hold the tuner oscillator assembly.

Remove right hand side, which should now be clear.

Carefully mark and unsolder the connections on the 1A13 Filter Board.

2 COAX with connectors

1 red

1 brown

Remove the four screws holding the 1A13 board to the right side.

Reassemble in reverse order.

C. Removal of 1A11 Antenna/Filter Assembly. See Figure 5-134 (4).

First carry out the steps as required for removal of filter board 1A13.

Carefully mark and unsolder 4 coax cables leading from 1A11 filter to the antenna inputs on the Tuner circuit boards.

Remove the two cable clamps on the bottom, rear, of the unit (under the removable PC board compartment). This step will allow cable slack when rear apron is removed. Refer to Figure 5-134 (3).

Remove three screws in a line on rear apron, at the extreme left side of the unit.

Remove two screws on rear apron which hold the rear apron to the wall holding the side of the RF oscillator assembly opposite the right side. (Parts C of Figure 5-134 (2).)

Remove four screws on the rear apron, holding the four corners of antenna/filter box 1A11. (Parts B of Figure 5-134 (2).)

Lift the 1A11 assembly away (as far as possible) from rear apron.

Carefully mark and unsolder the antenna input lead from the terminal in the 1A11 box. Do not unsolder at J-1. Refer to Figure 5-134 (4).)

Carefully mark and unsolder the following connections on 1A11:

C8 (RED)

C7 (BLUE-WHITE)

C6 (BROWN-WHITE)

C5 (GREY)

C4 (VIOLET)

C3 (RED-WHITE)

C2 (BLUE-WHITE)

C1 (BLUE)

Remove 1A11 assembly.

Reassemble in reverse order.

D. Removal of RF Tuner-Oscillator Assembly 1A10. Refer to Figure 5-134.

Turn Power switch to OFF.

Remove all rear interconnect cabling.

Remove unit from cabinet and place on service bench.

Remove top and bottom covers.

Remove TUNE, FUNCTION and LOCK knobs.

Remove PC cards A2 through A9.

Remove counter assembly as described in section 5 paragraph 4-3a.

On band #1 printed circuit card, carefully mark all cables and wires leaving the card for identification when replacing. Unsolder in the following order:

ANTENNA (COAX)

GROUND (BLACK)

AGC (GREEN)

RF OUTPUT AND GROUND (COAX)

GND (BLACK)

+24 VOLTS (RED)

Repeat the same cable marking and unsoldering procedure for bands 2, 3 and 4 printed circuit cards.

Remove two screws and nuts holding bracket for J14 and its associated plug, located on the right hand side, toward the front. Move this assembly out of the way.

On the bottom of the unit, carefully mark and unsolder the following oscillator connections: (Detail A of Figure 5-134 (3))

C5 (RED)

C4 (COAX)

C3 (COAX)

C1 (COAX)

C2 (3 GROUND LEADS)

CABLE ON STANDOFF between C2 and C4

Remove ground clamp holding shielded cable on side of oscillator assembly.

Unsolder shielded coax cable and ground from oscillator output at XA8.

Remove two screws in line with right hand front panel handle, which hold front panel.

Remove three screws in a line on rear apron, which hold rear apron to right side.

Remove eight large screws, 4 top, 4 bottom, which hold tuner-oscillator assembly in place. Refer to Parts A on Figure 5-134 (3).

Lift up the right side, which should now be clear except for wiring to filter unit board 1A13.

On filter board 1A13 on right side, carefully mark and unsolder

1 brown lead

1 coax lead and ground

1 red lead

Remove the entire RF-oscillator assembly, which should now be clear.

Reassemble in the reverse order.

E. Removal of 1mc standard, 3A1.

Disconnect all wiring from rear of unit.

Slide out unit, unlock, and place on service bench.

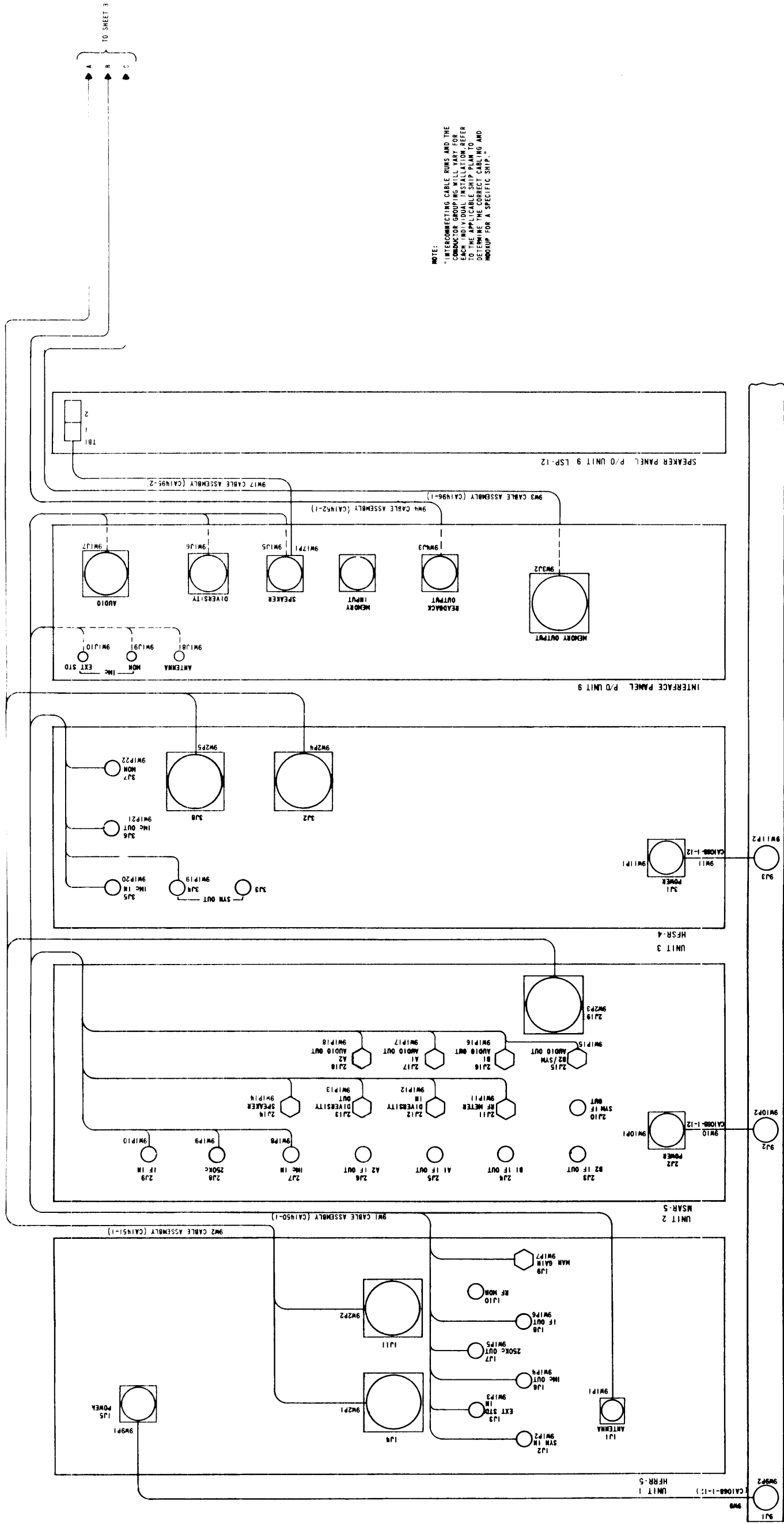
Remove top cover.

Remove 3A2 Power Supply board.

Remove pivot nut and screw from right hand track assembly, and expose two screws holding the 1mc standard bracket. Remove these screws and nuts.

Remove the two screws on the left side of the 1mc standard which hold the 1mc standard bracket.

Slide the 1mc standard out of its octal socket.

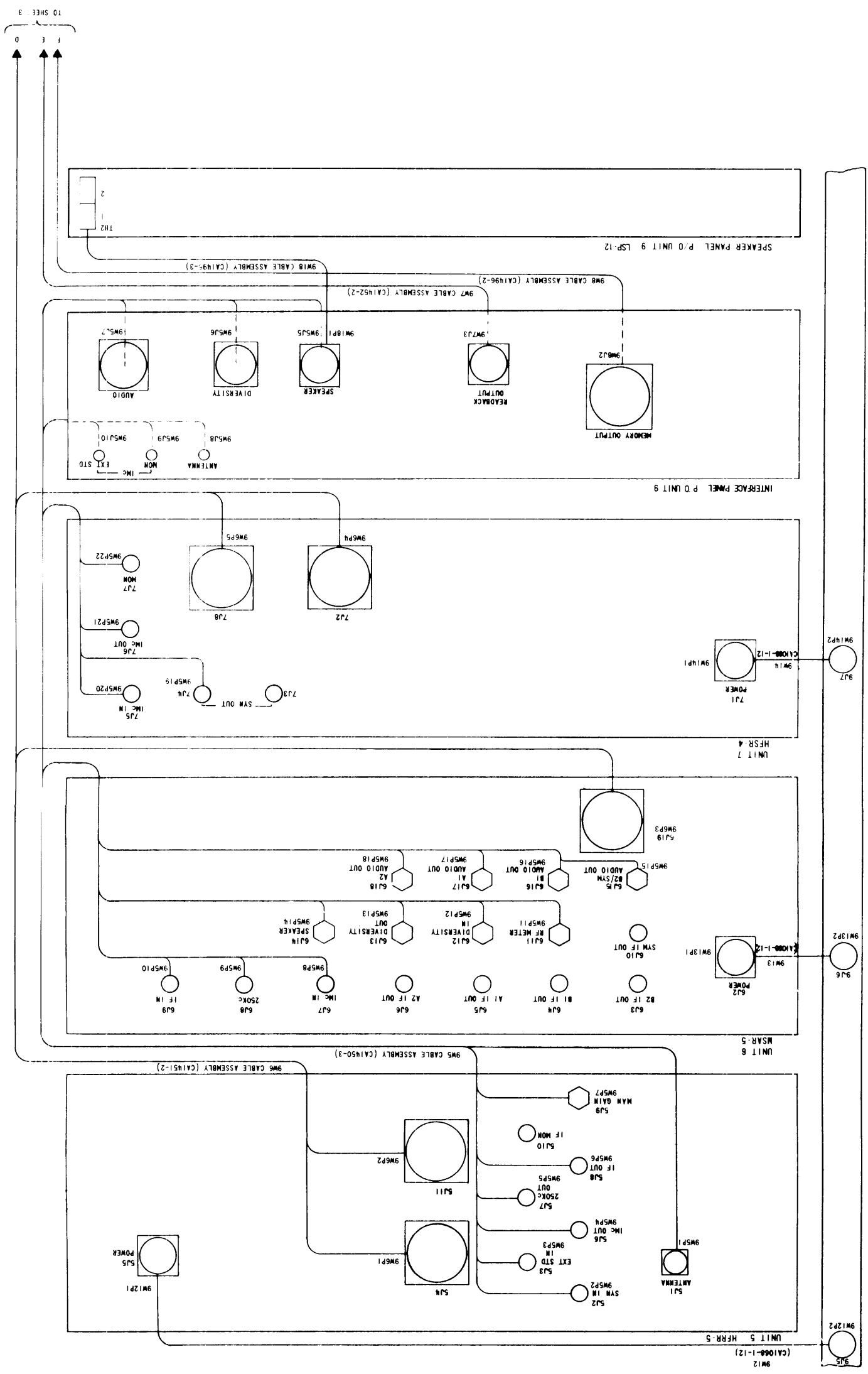


NOTE:  
 -INTERCONNECTING CABLE RUNS AND THE CONDUCTOR GROUPING WILL VARY FOR DIFFERENT MANUFACTURERS. REFER TO THE APPLICABLE SHIP PLAN TO DETERMINE THE CORRECT CABLING AND MOUNTUP FOR A SPECIFIC SHIP."

Figure 5-1. Rack Cabling Diagram, AN/FRR-85(V)1 (Sheet 1 of 3)

011690392

CK 1630



NOTE:  
 \*INTERCONNECTING CABLE RUNS AND THE CONNECTIONS TO THE RACK SHOULD BE MADE AT EACH INDIVIDUAL INSTALLATION. REFER TO THE APPLICABLE SHIP PLAN TO DETERMINE THE CORRECT CABLING AND HANGUP FOR A SPECIFIC SHIP.

Figure 5-1. Rack Cabling Diagram, AN/FRR-85(V)1 (Sheet 2 of 3)

011690392

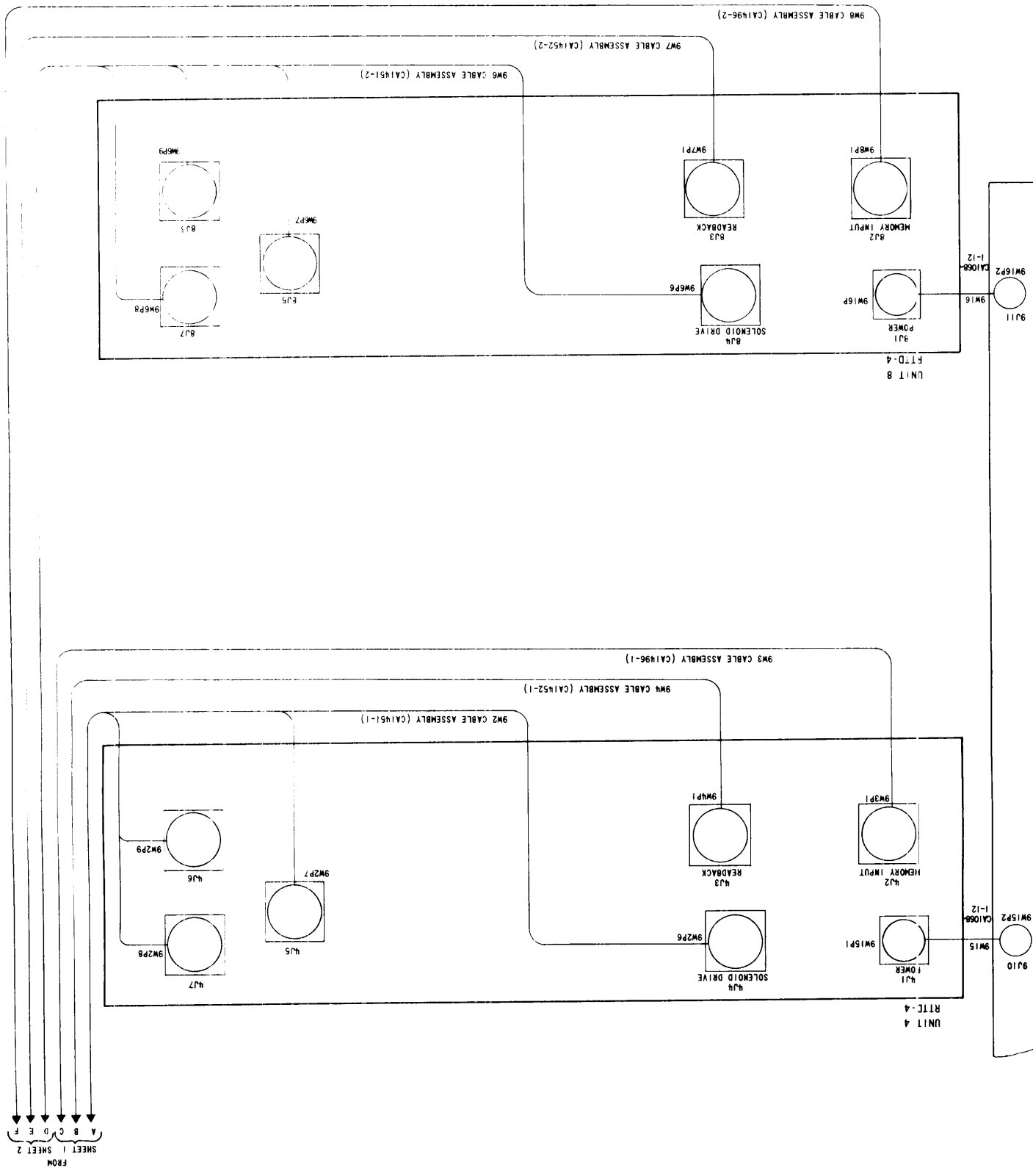


Figure 5-1. Rack Cabling Diagram, AN/FRR-85(V)1 (Sheet 3 of 3)

011690392

5-49/5-50

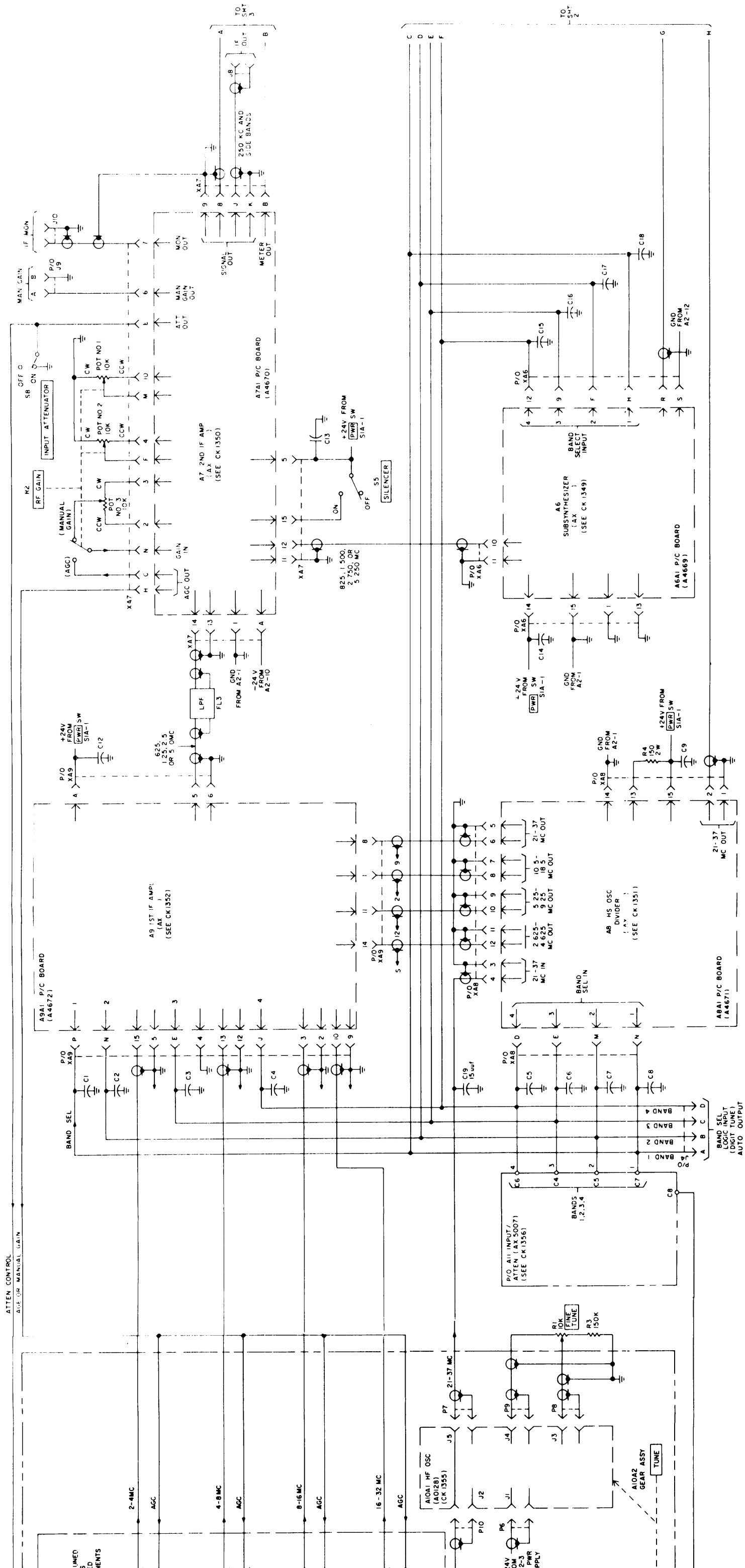
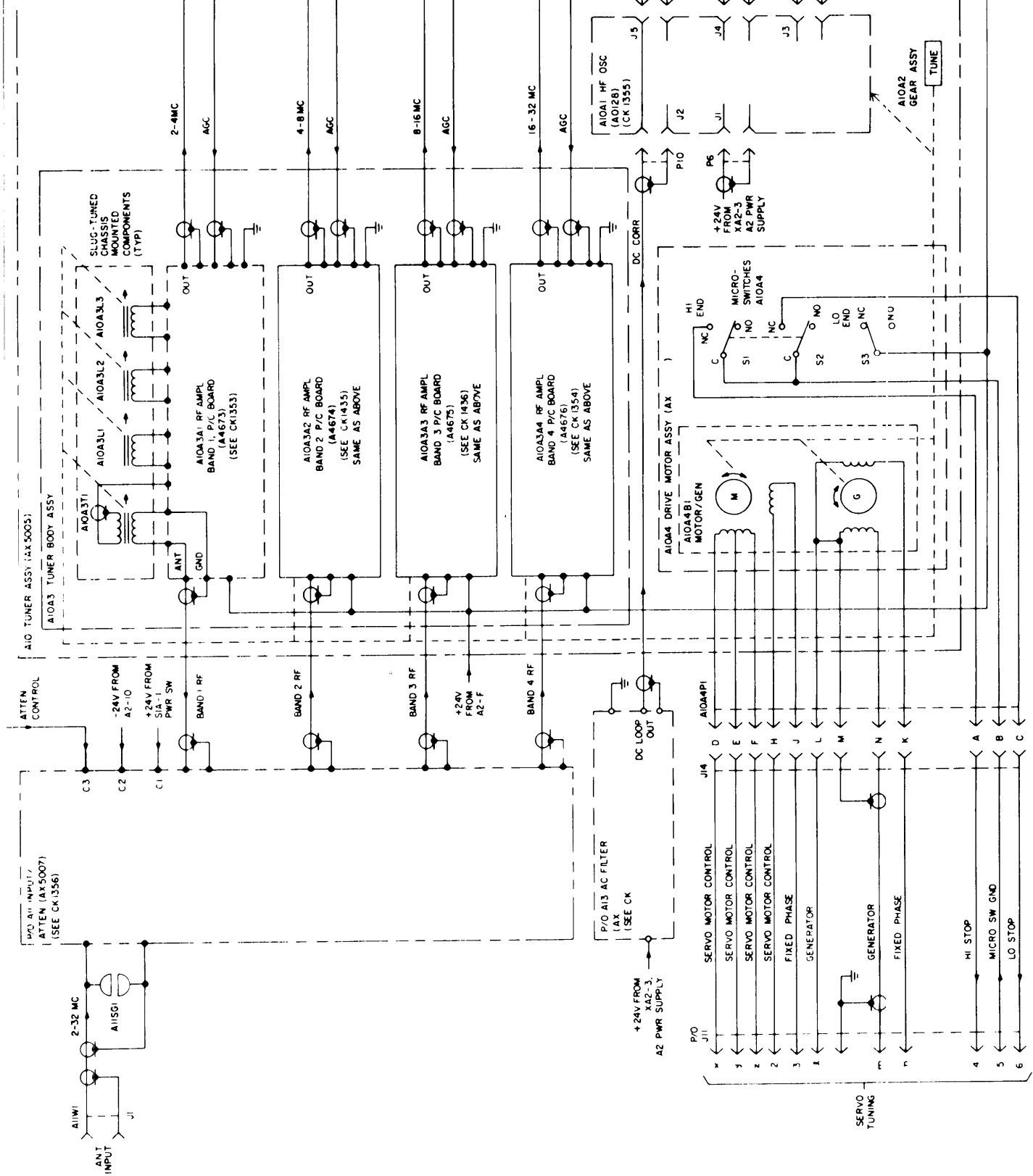


Figure 5-2. Unit 1 (TN-525/FRR), Schematic Diagram (Sheet 1 of 3)

011690392



CK 1340

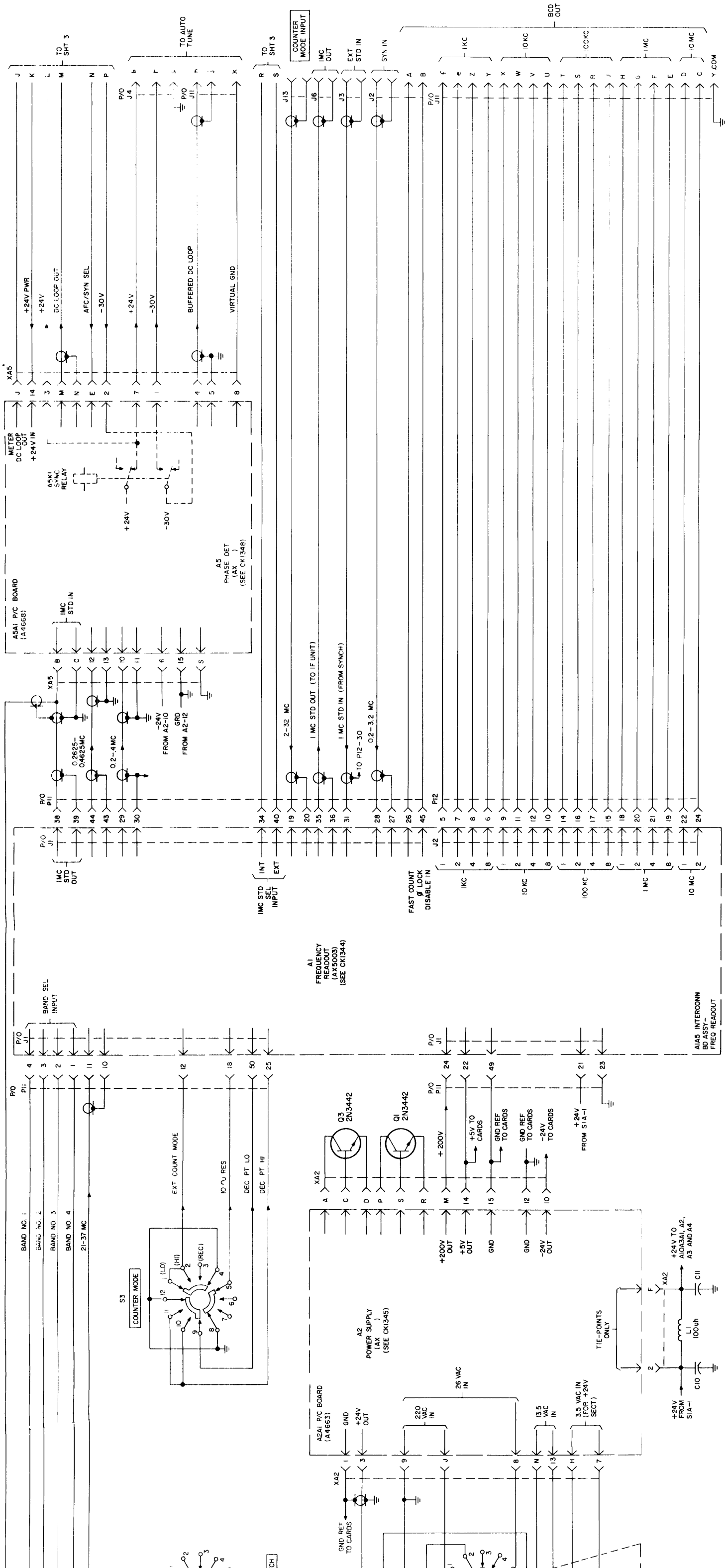
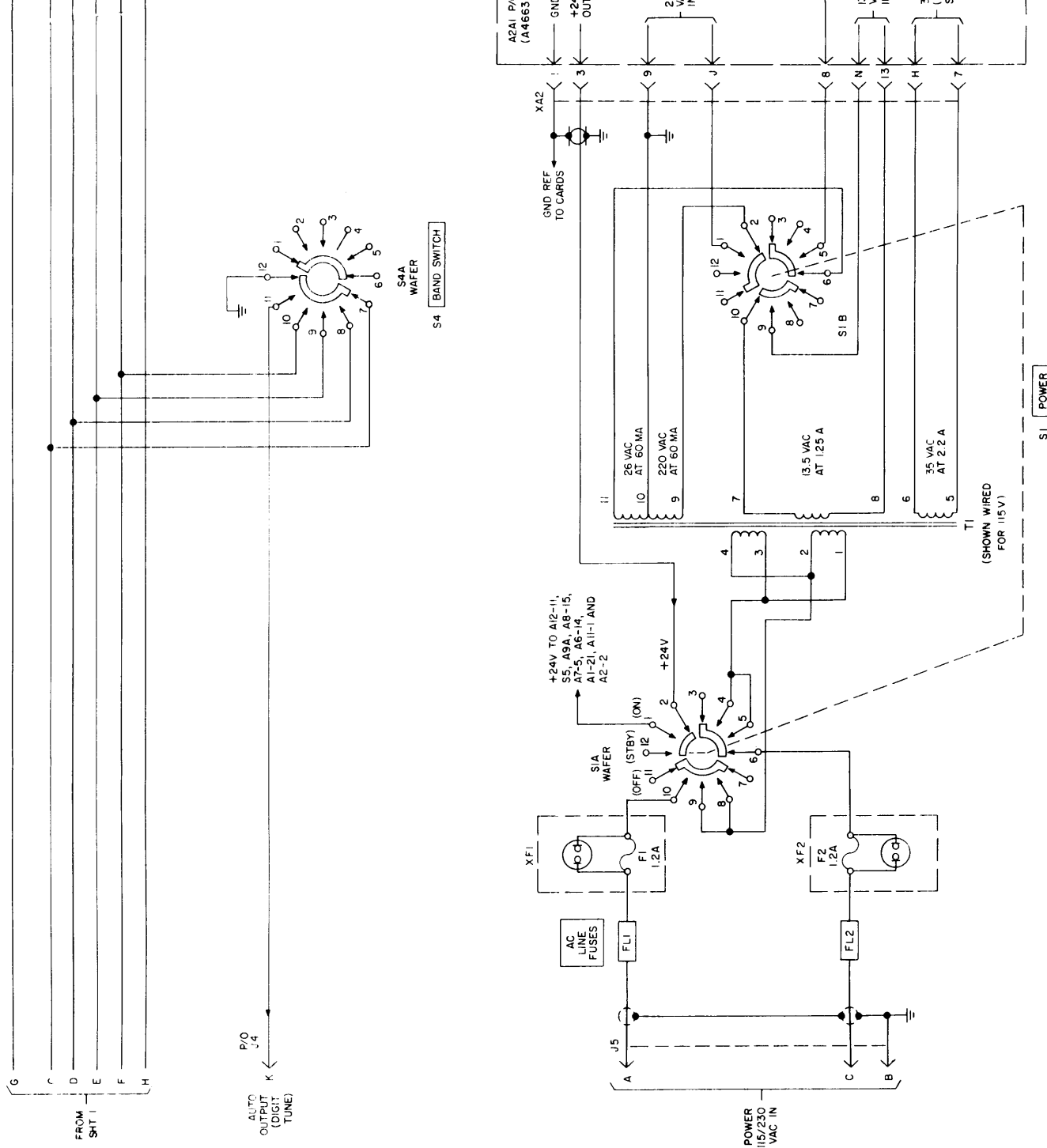


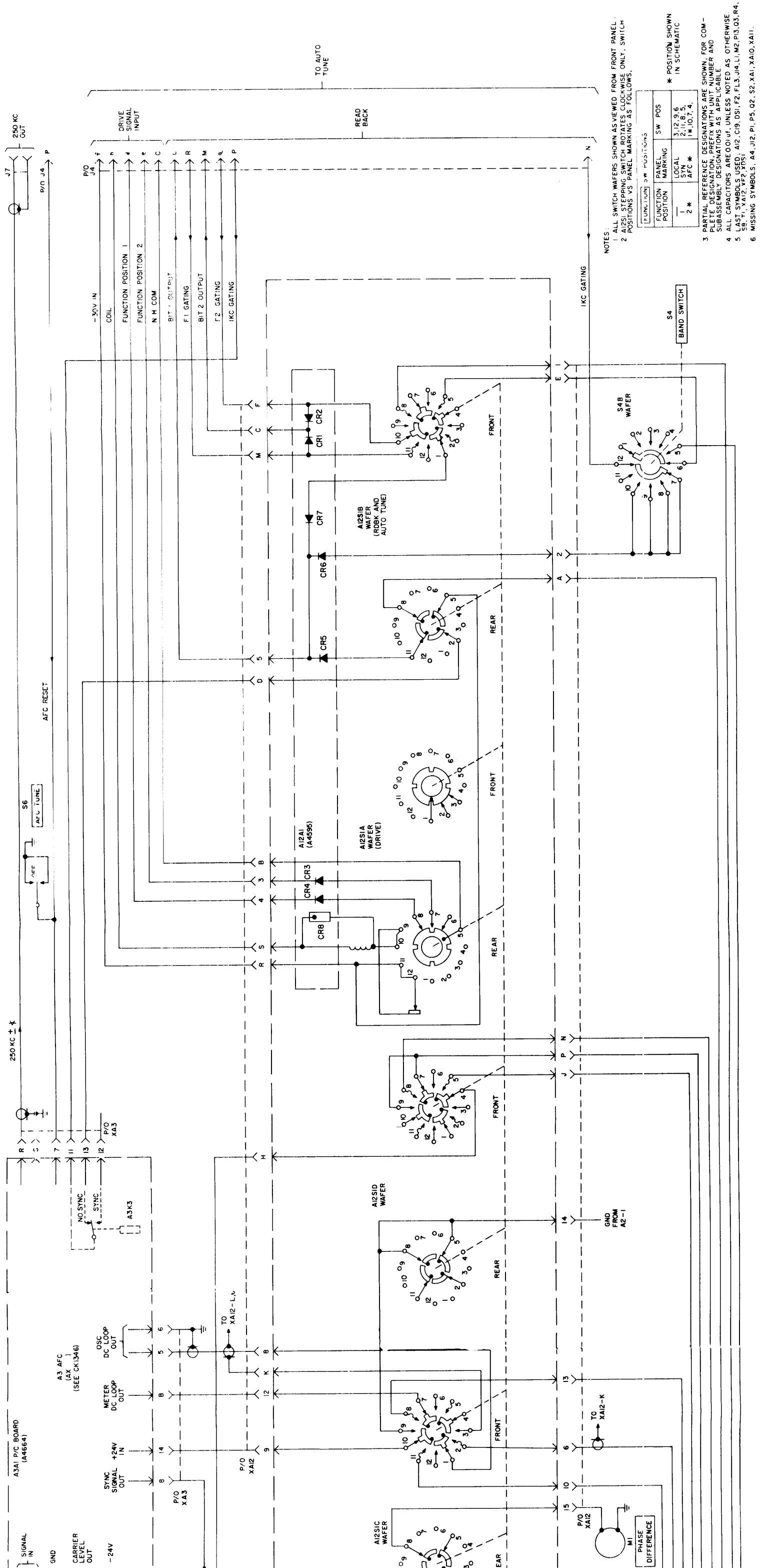
Figure 5-2. Unit 1 (TN-525/FRR), Schematic Diagram (Sheet 2 of 3)

011690392





CK 1340



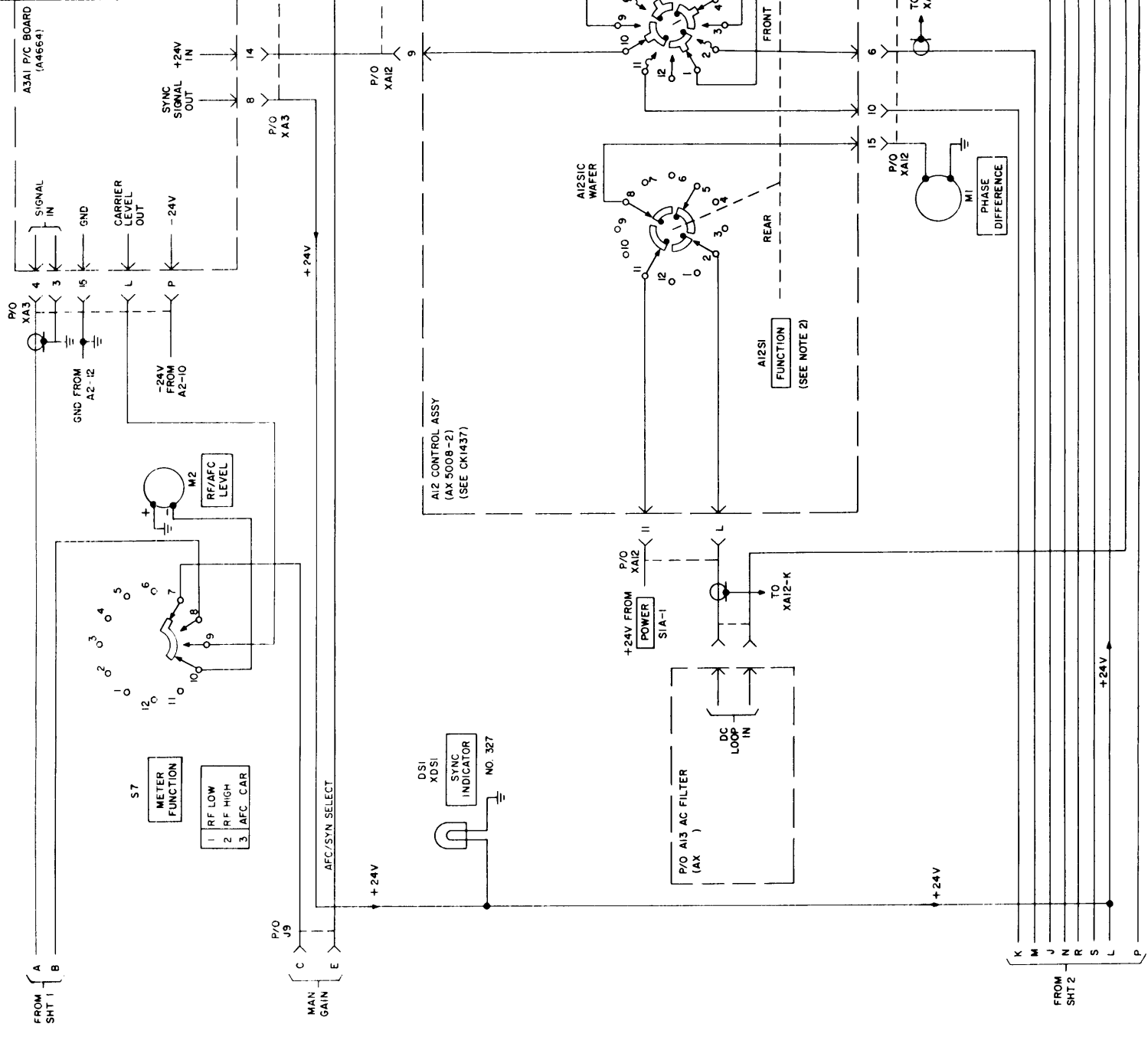
NOTES:

- 1 ALL SWITCH WAFERS SHOWN AS VIEWED FROM FRONT PANEL.
- 2 A12S1 STEPPING SWITCH ROTATES CLOCKWISE ONLY. SWITCH POSITIONS VS PANEL MARKING AS FOLLOWS.
- 3 PARTIAL REFERENCE DESIGNATIONS ARE SHOWN. FOR COMPLETE DESIGNATION, PREFIX WITH UNIT NUMBER AND SUBASSEMBLY DESIGNATIONS AS APPLICABLE.
- 4 ALL CAPACITORS ARE 0.01  $\mu$ F, UNLESS NOTED AS OTHERWISE.
- 5 LAST SYMBOLS USED: A12, C19, D51, F2, FL3, J14, L1, M2, P13, Q3, R4, S8, T1, XA12, YF2, YF51.
- 6 MISSING SYMBOLS: A4, J12, P1, P5, O2, S2, XA1, XA10, XA11.

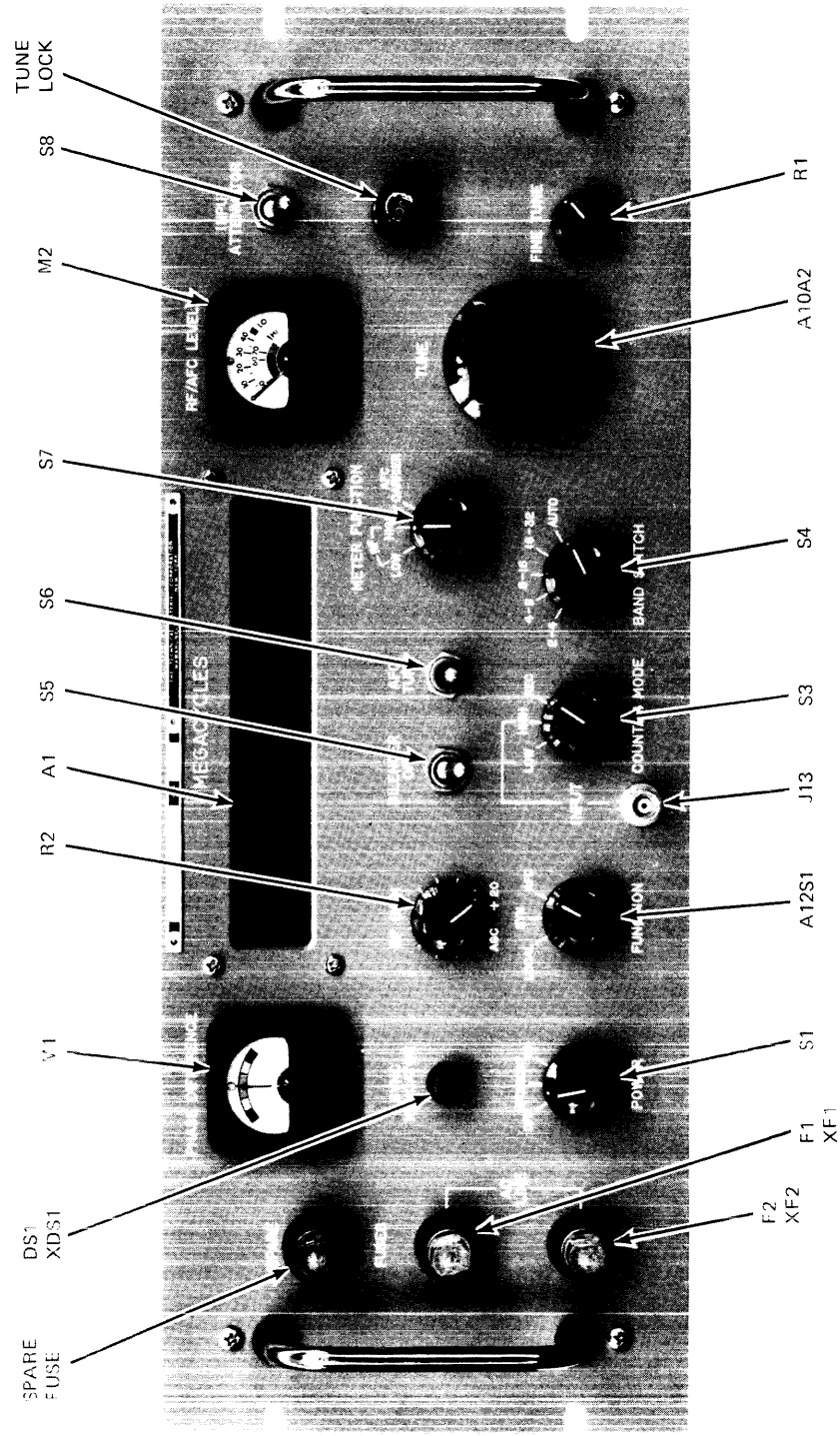
FUNCTION	SW POS	POSITION
1	3, 12, 9, 6	LOCAL
2	2, 11, 8, 5	SYN
2 *	1, 10, 7, 4	AFC *

\* POSITION SHOWN IN SCHEMATIC

Figure 5-2. Unit 1 (TN-525/FRR), Schematic Diagram (Sheet 3 of 3)

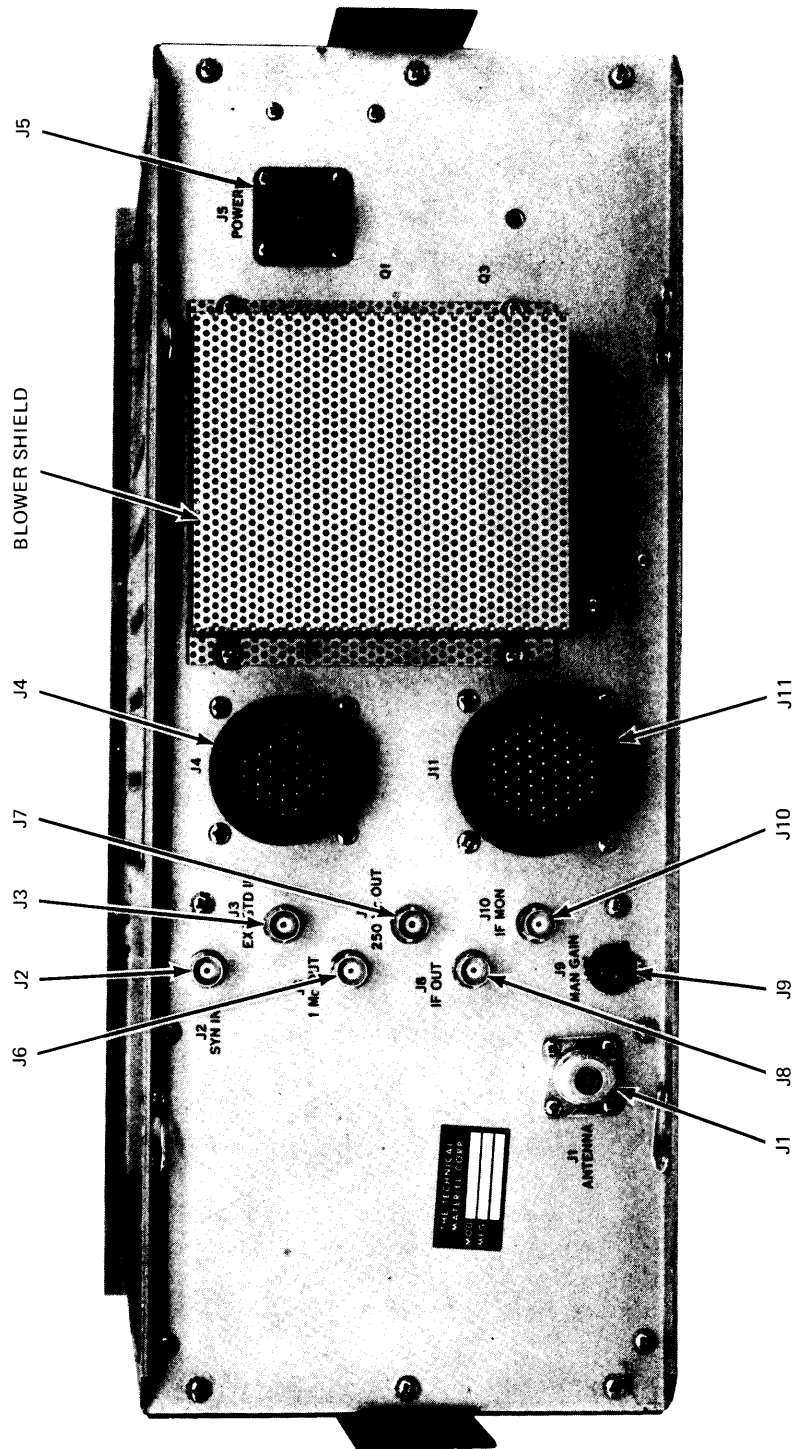


CK 1340



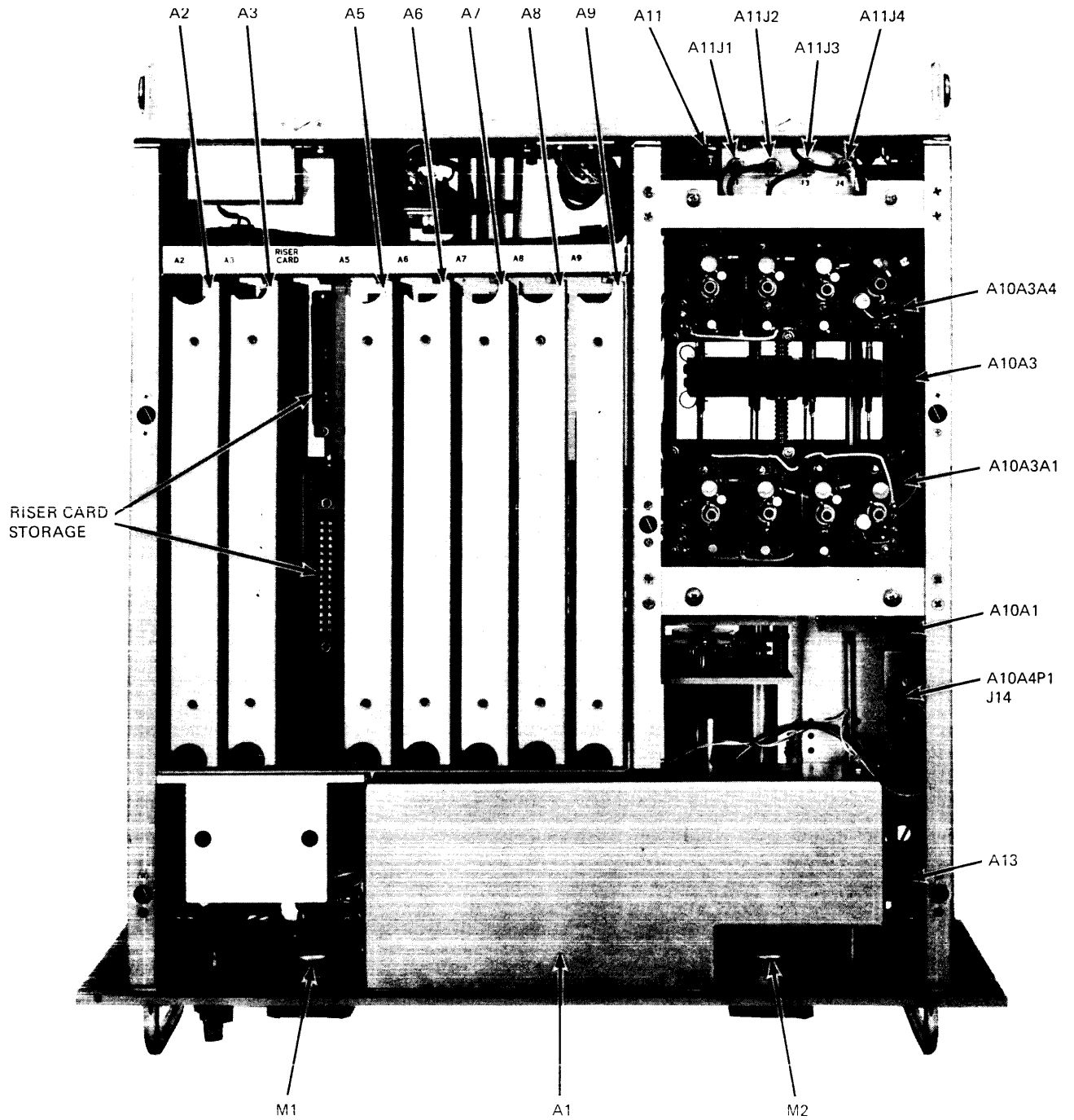
REF: DESIG PREFIX 1  
 REF: DESIG PREFIX 1, 5

Figure 5-3. Unit 1 (TN-525/FRR) Front Panel, Major Component Locations



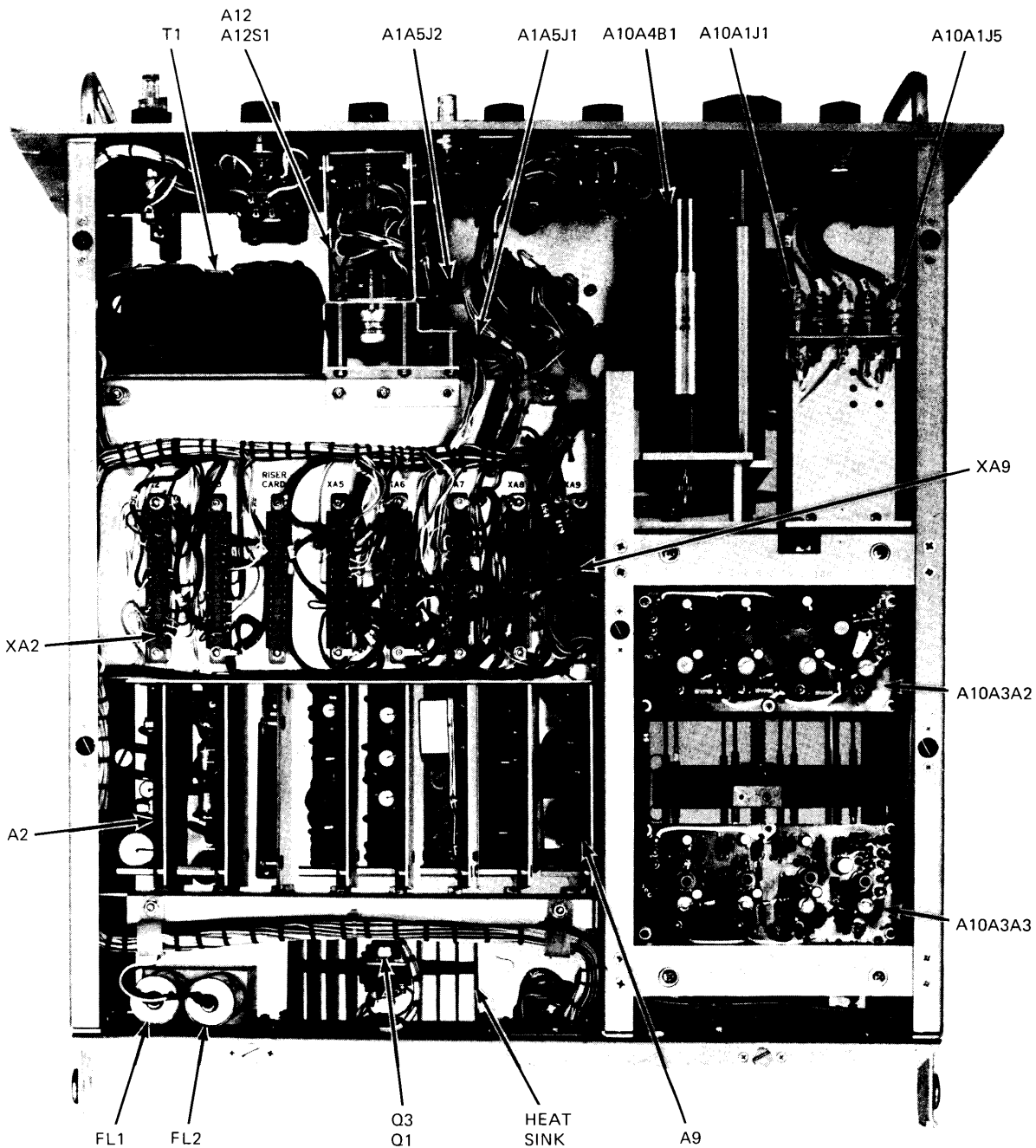
REF DESIG PREFIX 1  
 REF DESIG PREFIX 1, 5

Figure 5-4. Unit 1 (TN-525/FRR), Rear Panel, Major Component Locations Diagram



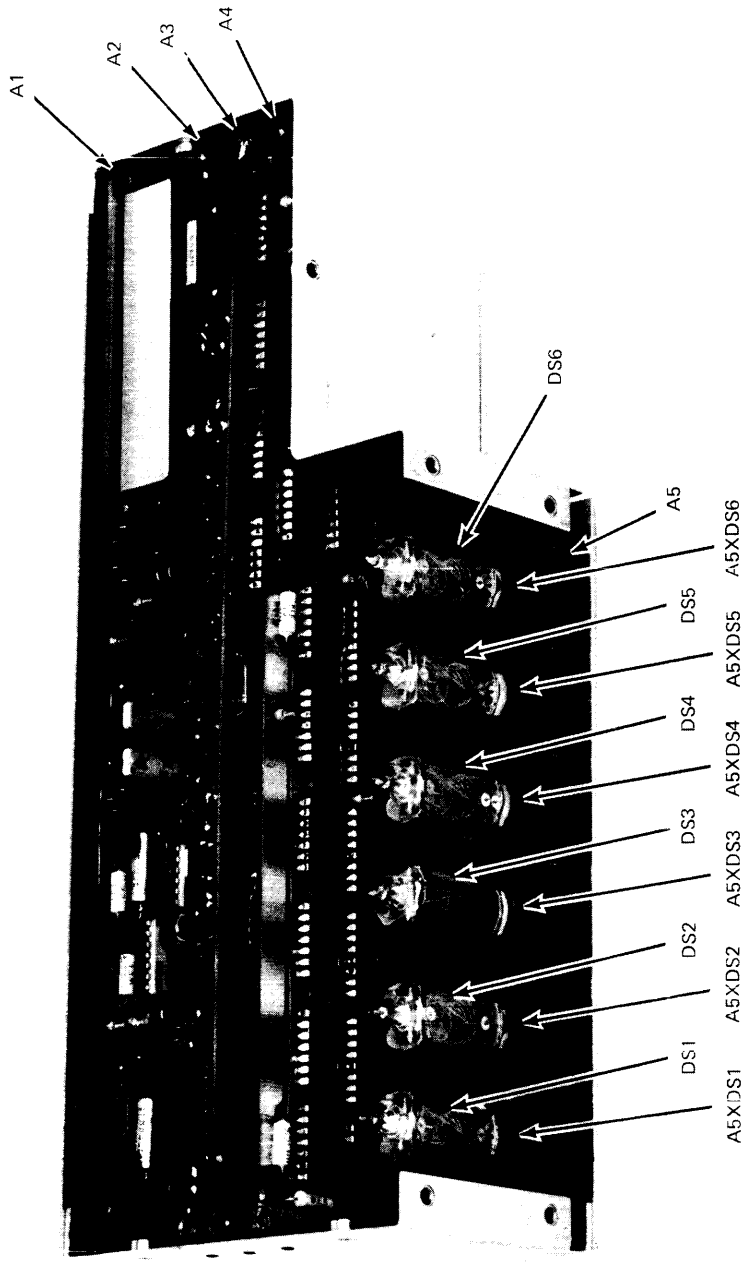
REF DESIG PREFIX 1  
REF DESIG PREFIX 1.5

Figure 5-5. Unit 1 (TN-525/FRR), Top View, Major Component Locations Diagram  
011690392



REF DESIG PREFIX 1  
 REF DESIG PREFIX 1, 5

Figure 5-6. Unit 1 (TN-525/FRR), Bottom View, Major Component Locations Diagram



REF DESIG PREFIX 1A1  
 REF DESIG PREFIX 1A1, 5A1

Figure 5-7. 1A1, Top View, Major Component Locations Diagram





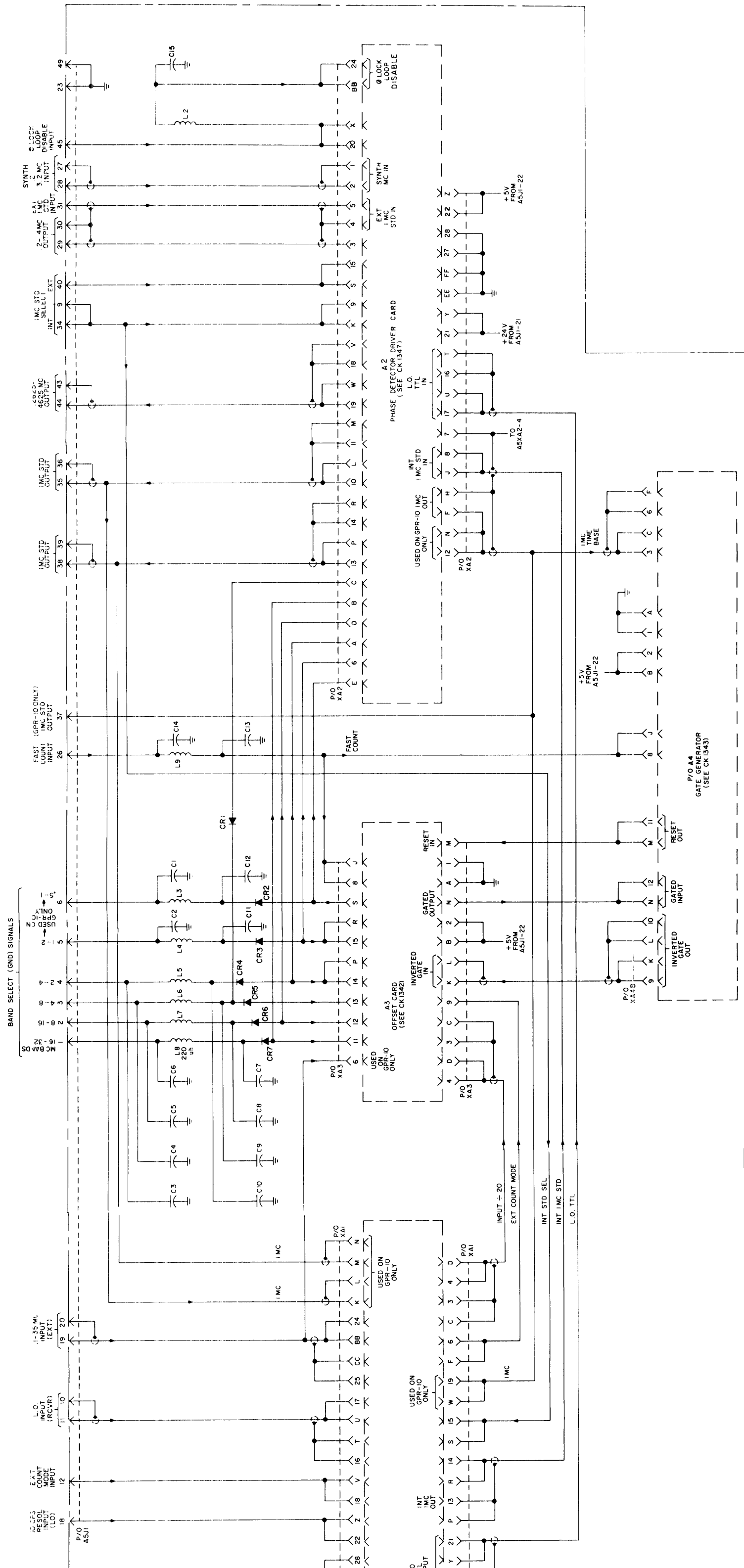
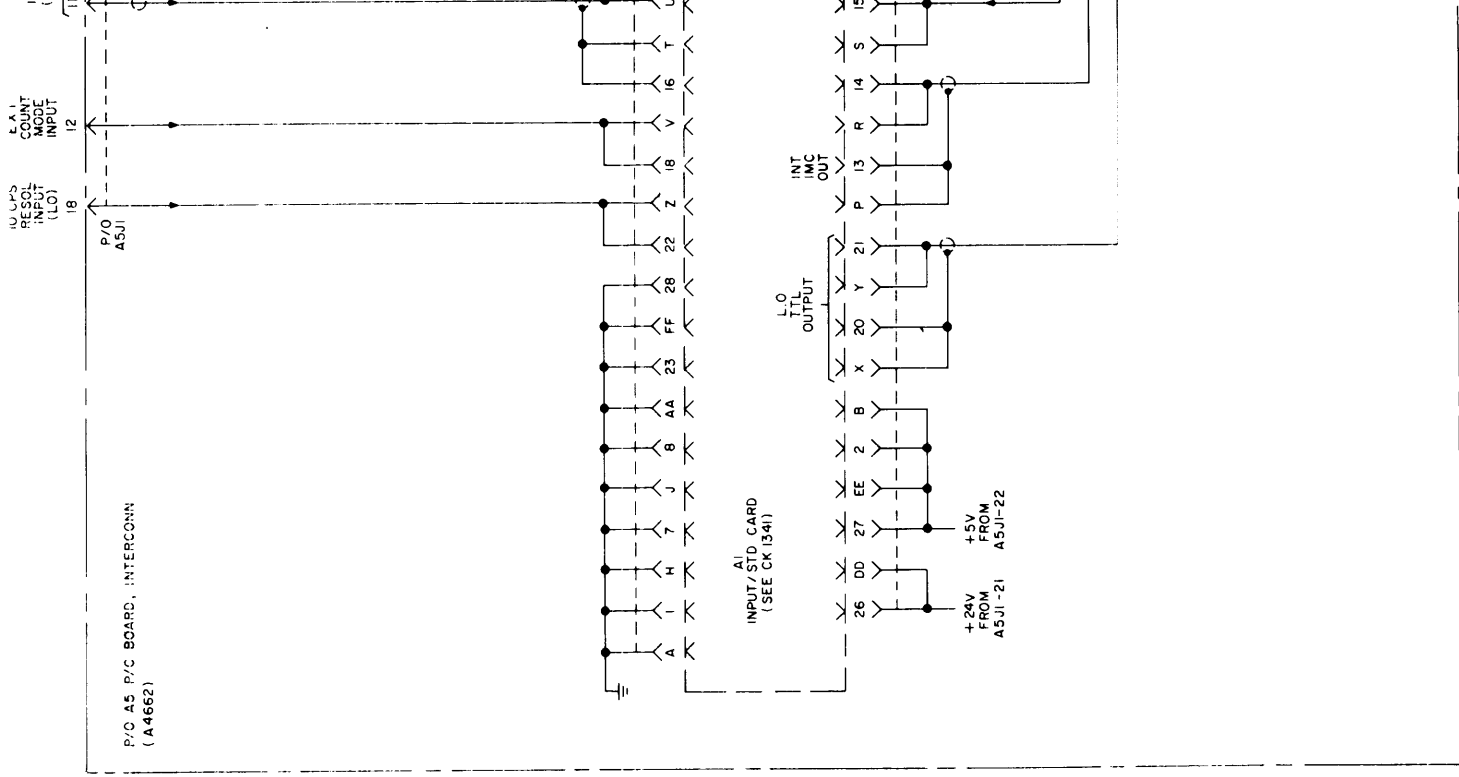
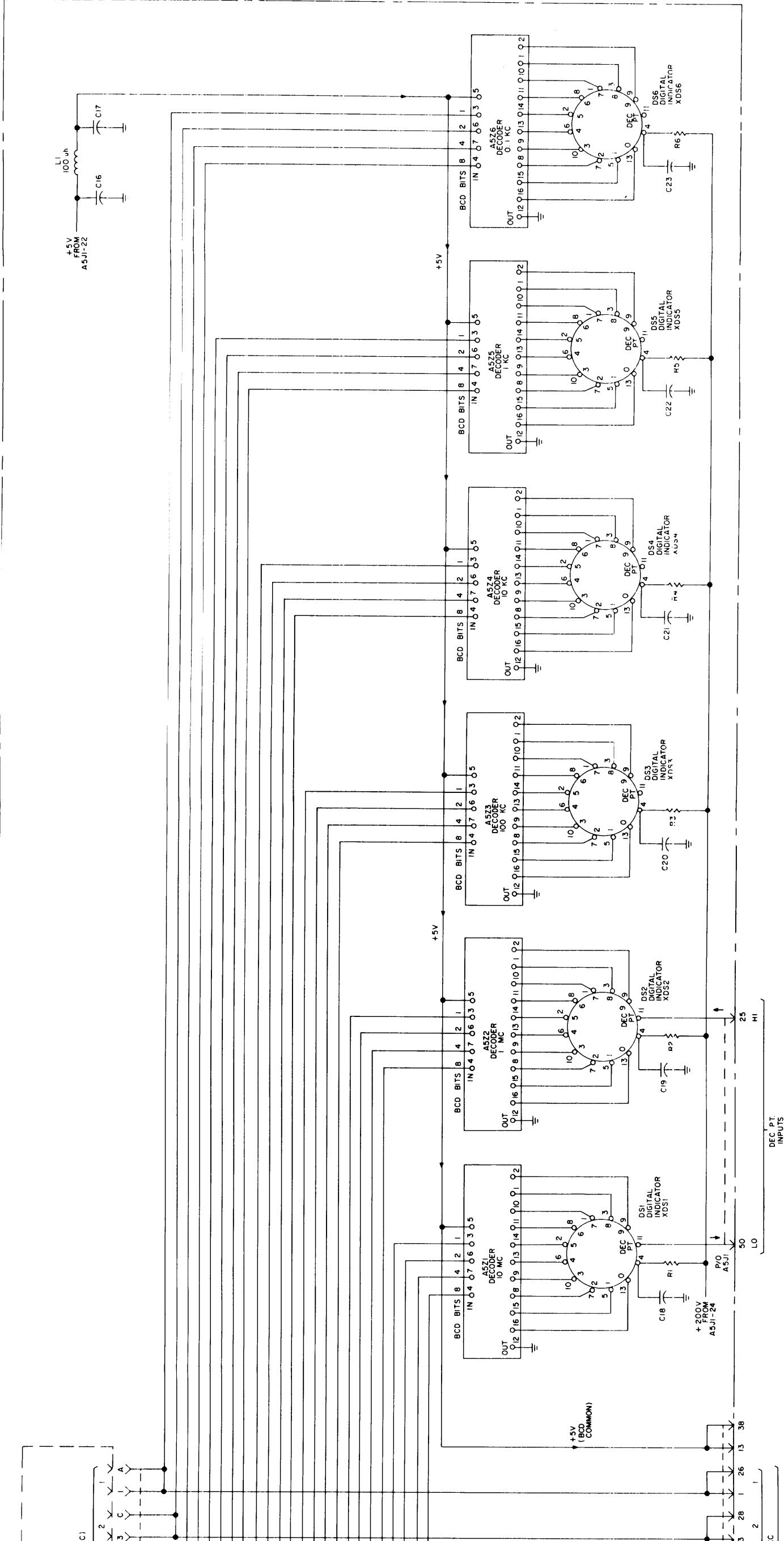


Figure 5-8. Frequency Readout Assembly 1A1, Schematic Diagram (Sheet 1 of 2)

011690392





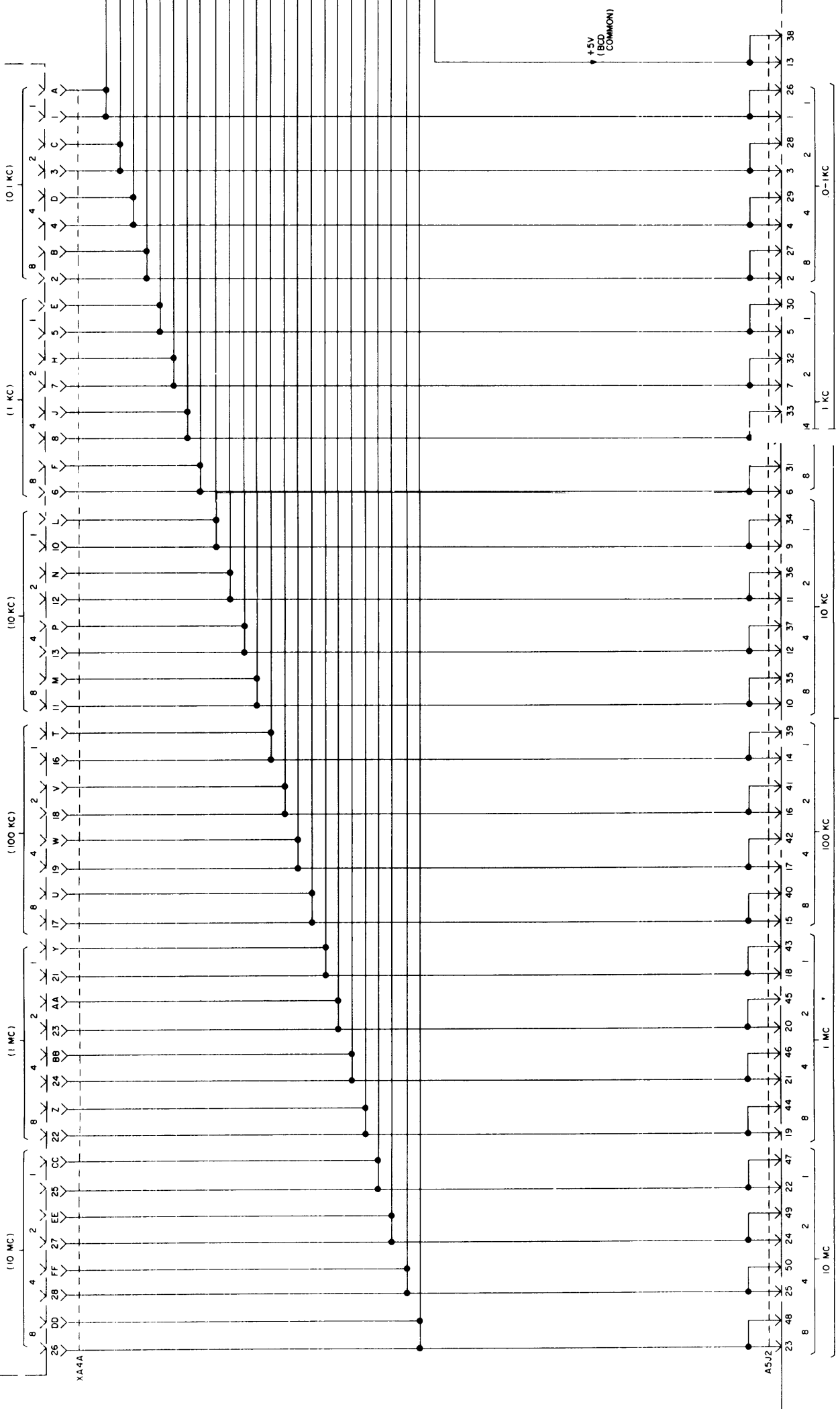
- NOTES:
1. ALL CAPACITORS ARE 50V. ALL COILS ARE 200V. ALL RESISTORS ARE 1/2W UNLESS SPECIFIED AS OTHERWISE.
  2. PARTIAL REFERENCE DESIGNATIONS ARE SHOWN, FOR COMPLETE DESIGNATION, PREFIX WITH UNIT NUMBER AND SUBASSEMBLY DESIGNATIONS AS APPLICABLE.
  3. LAST SYMBOLS USED: A5, A5C23, A5C27, A5L9, A5R6, A5XA48, A5XD56, A5Z6, D56.

Figure 5-8. Frequency Readout Assembly 1A1, Schematic Diagram (Sheet 2 of 2)

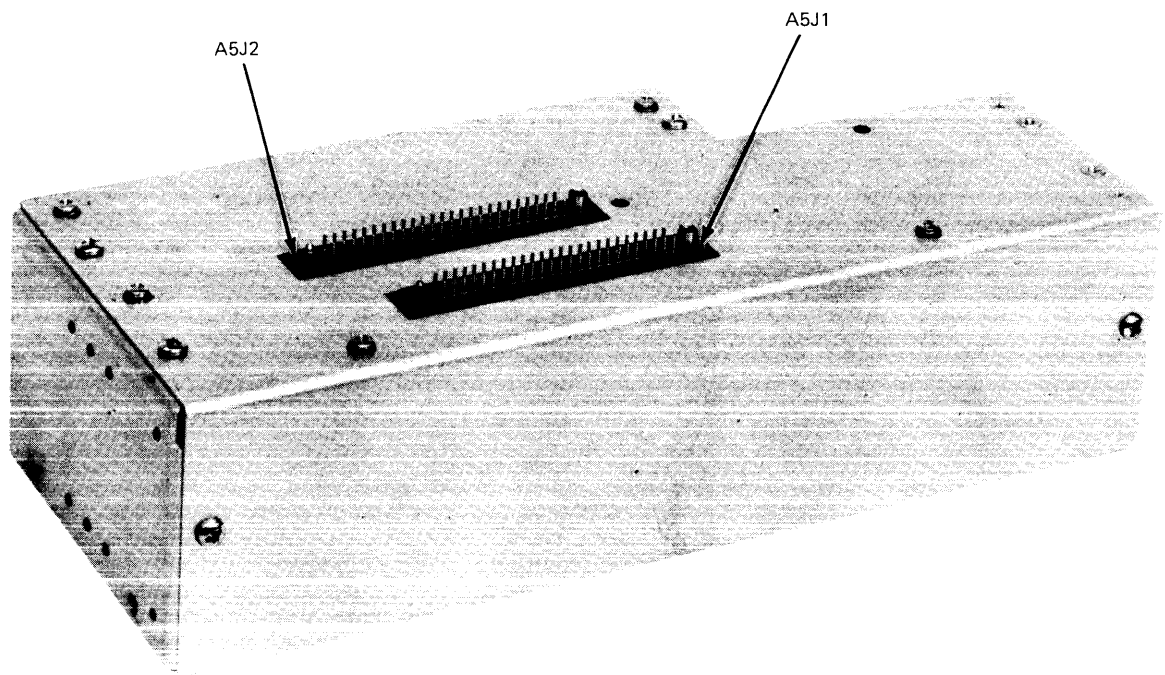
011690392

P/O A5 P/V BOARD, INTERCONN (A4652)

P/O A4 GATE GENERATOR CARD  
(SEE CK 1343)



CK 1344



REF DESIG PREFIX 1A1  
REF DESIG PREFIX 1A1, 5A1

Figure 5-9. 1A1. Bottom View, Major Component Locations Diagram

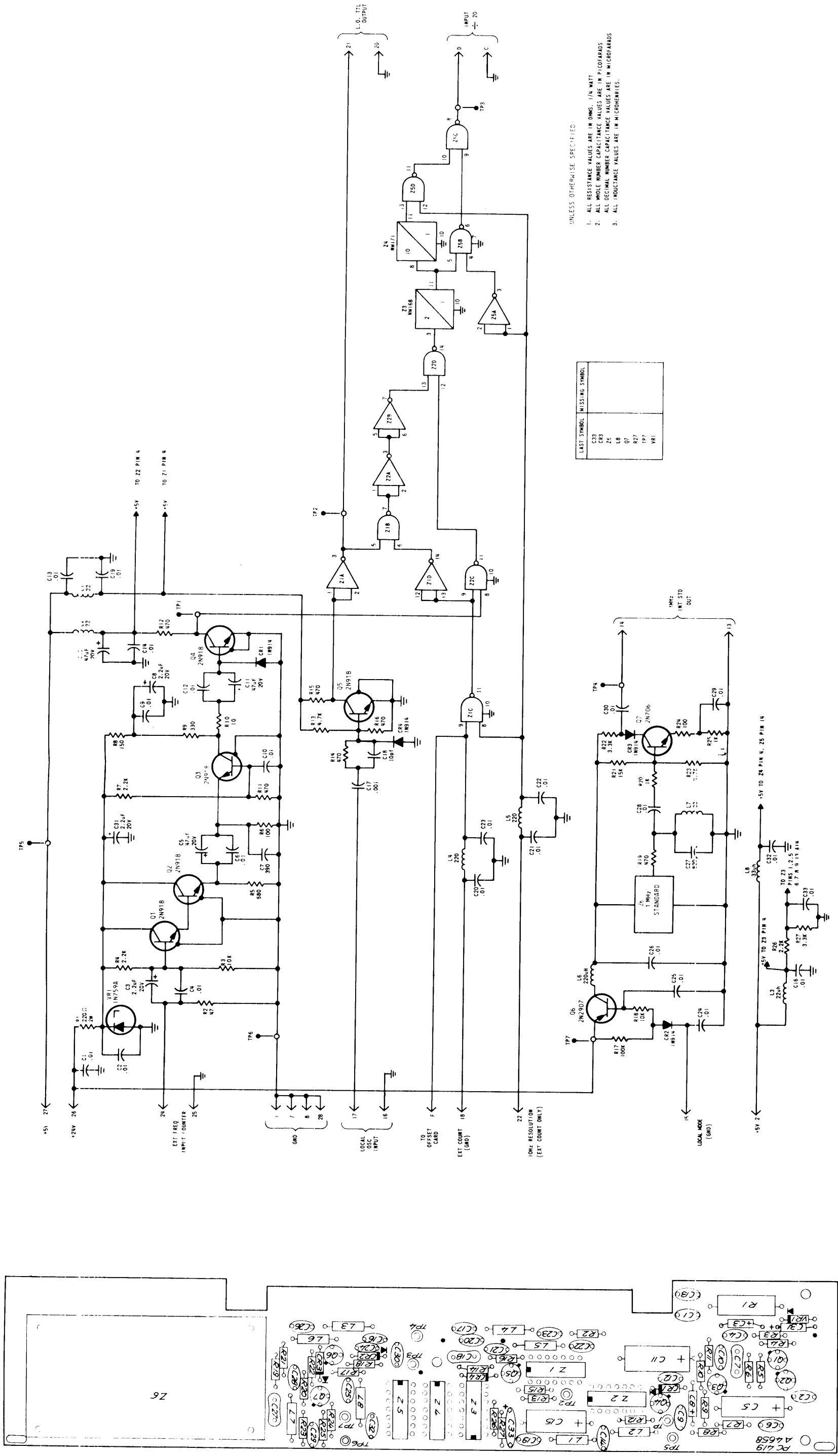
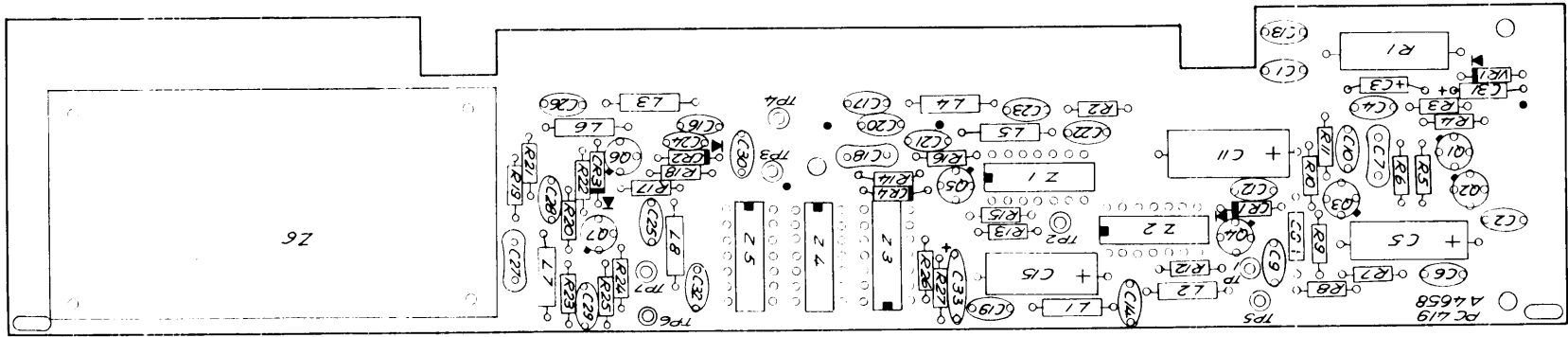


Figure 5-10/5-11. Input/Std 1A1A1, Schematic/Component Locations Diagram  
011690392 5-69/5-70





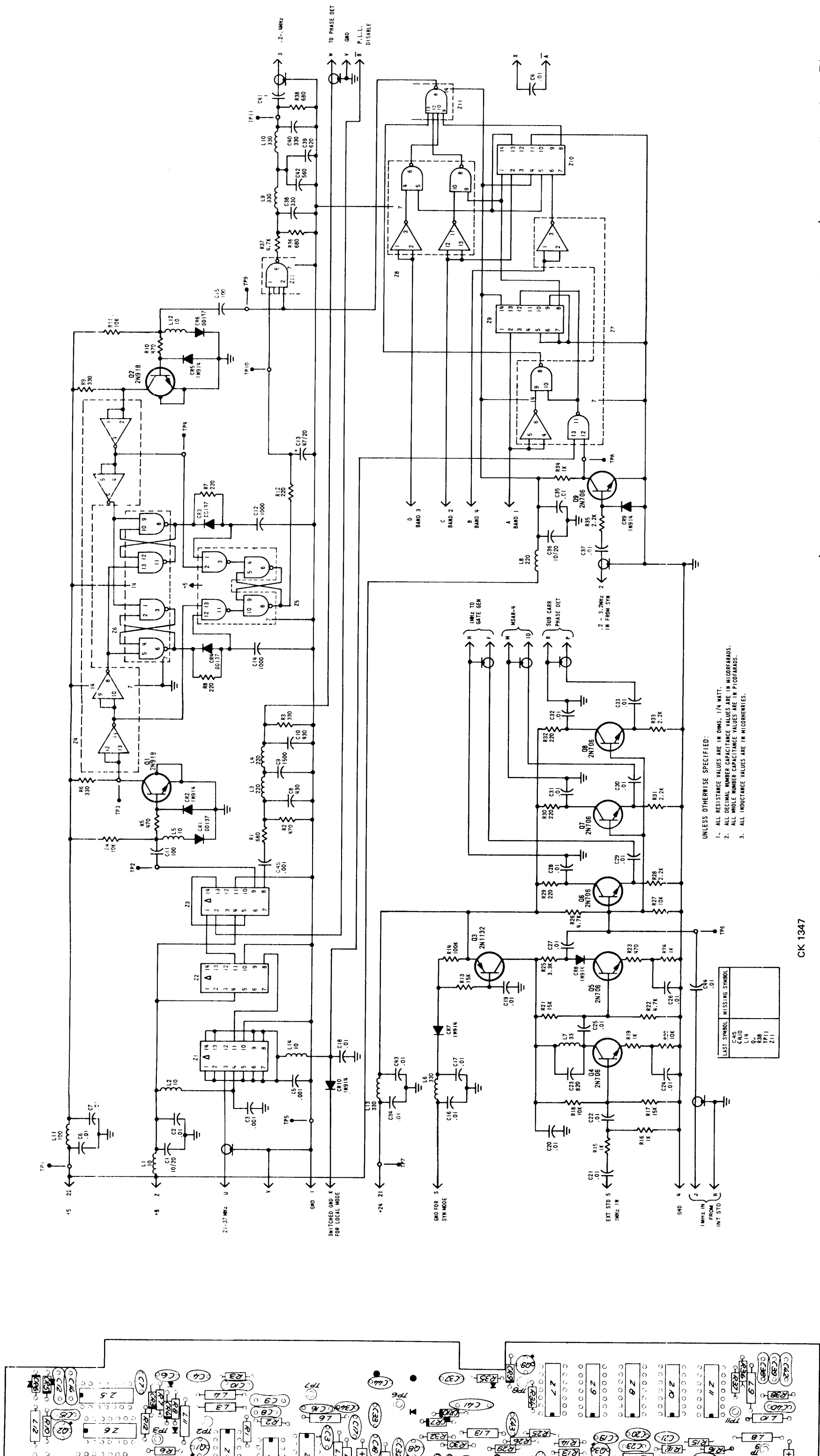
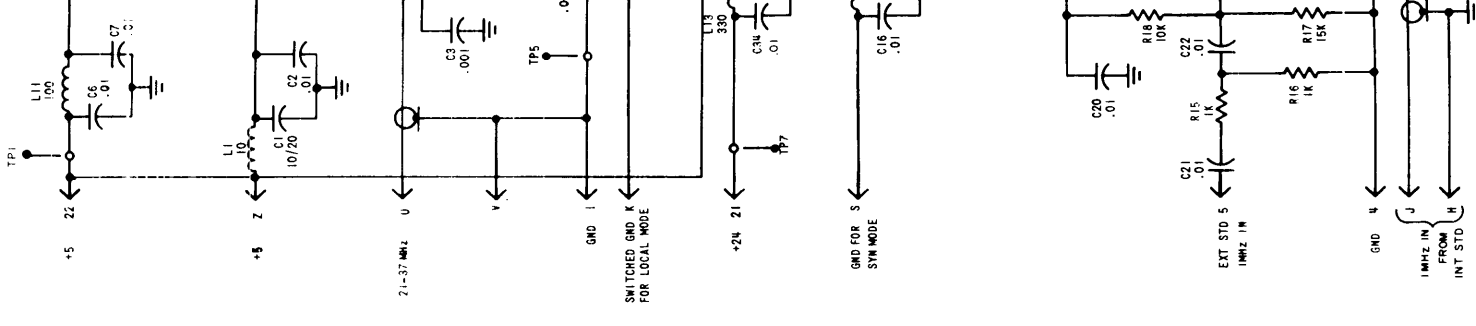
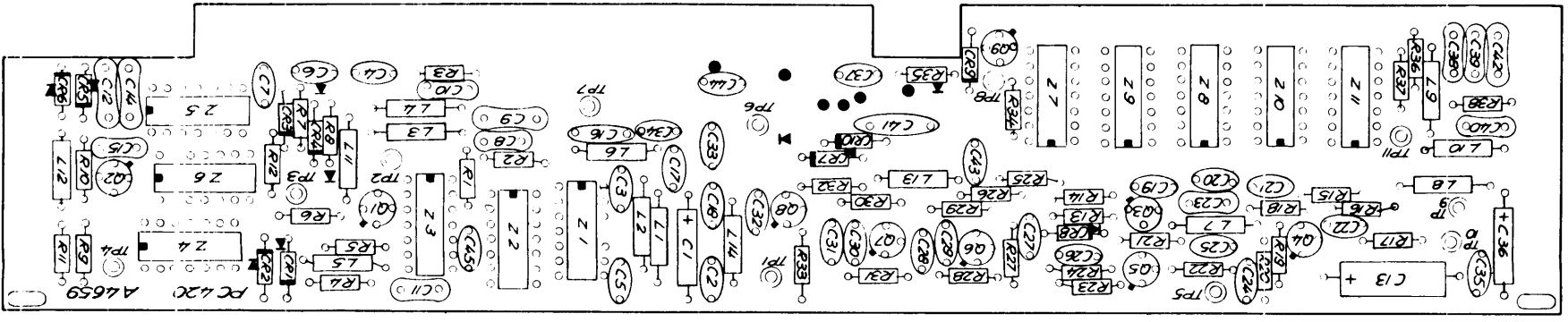
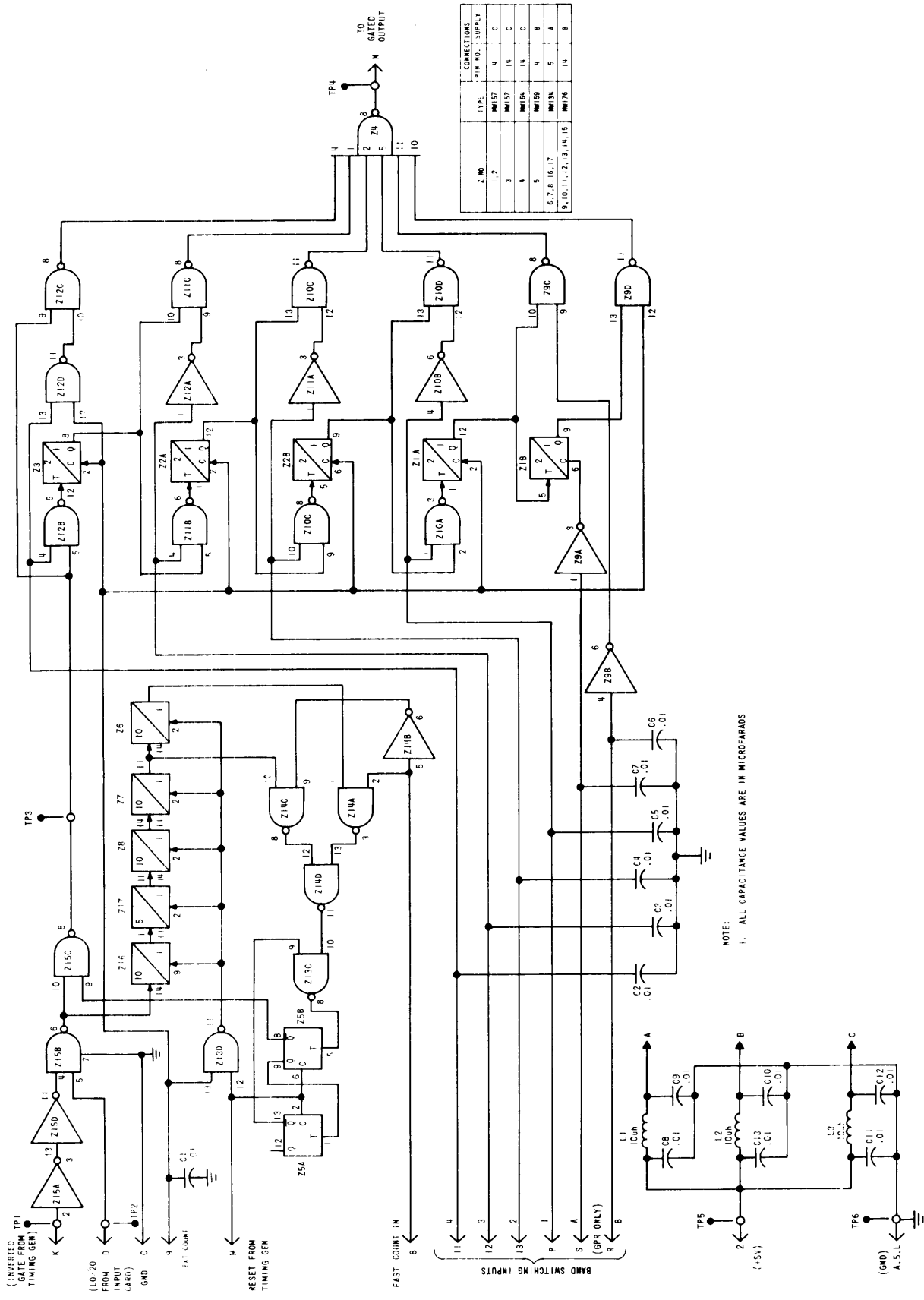
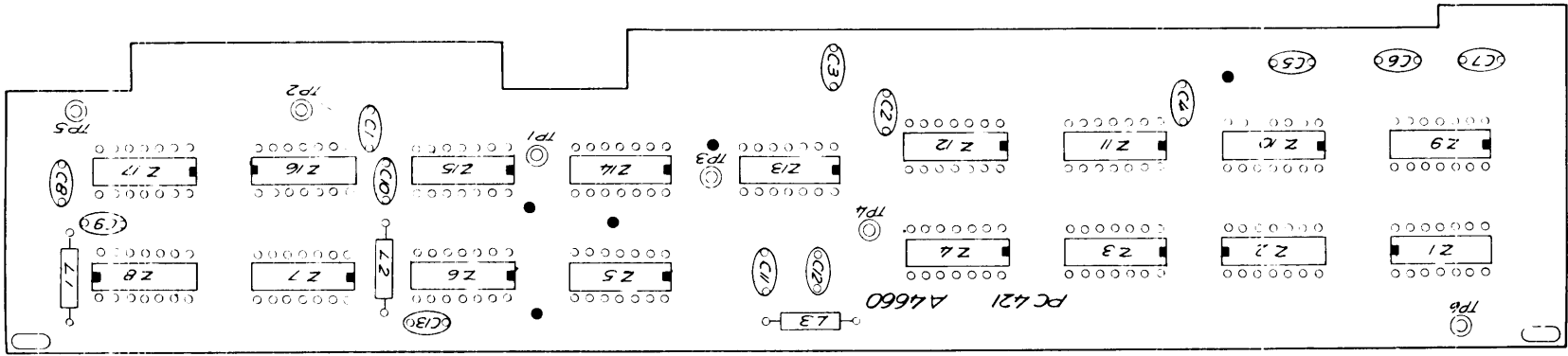


Figure 5-12/5-13. Phase Detector Driver 1A1A2, Schematic/Component Locations Diagram



PC 120  
A4659

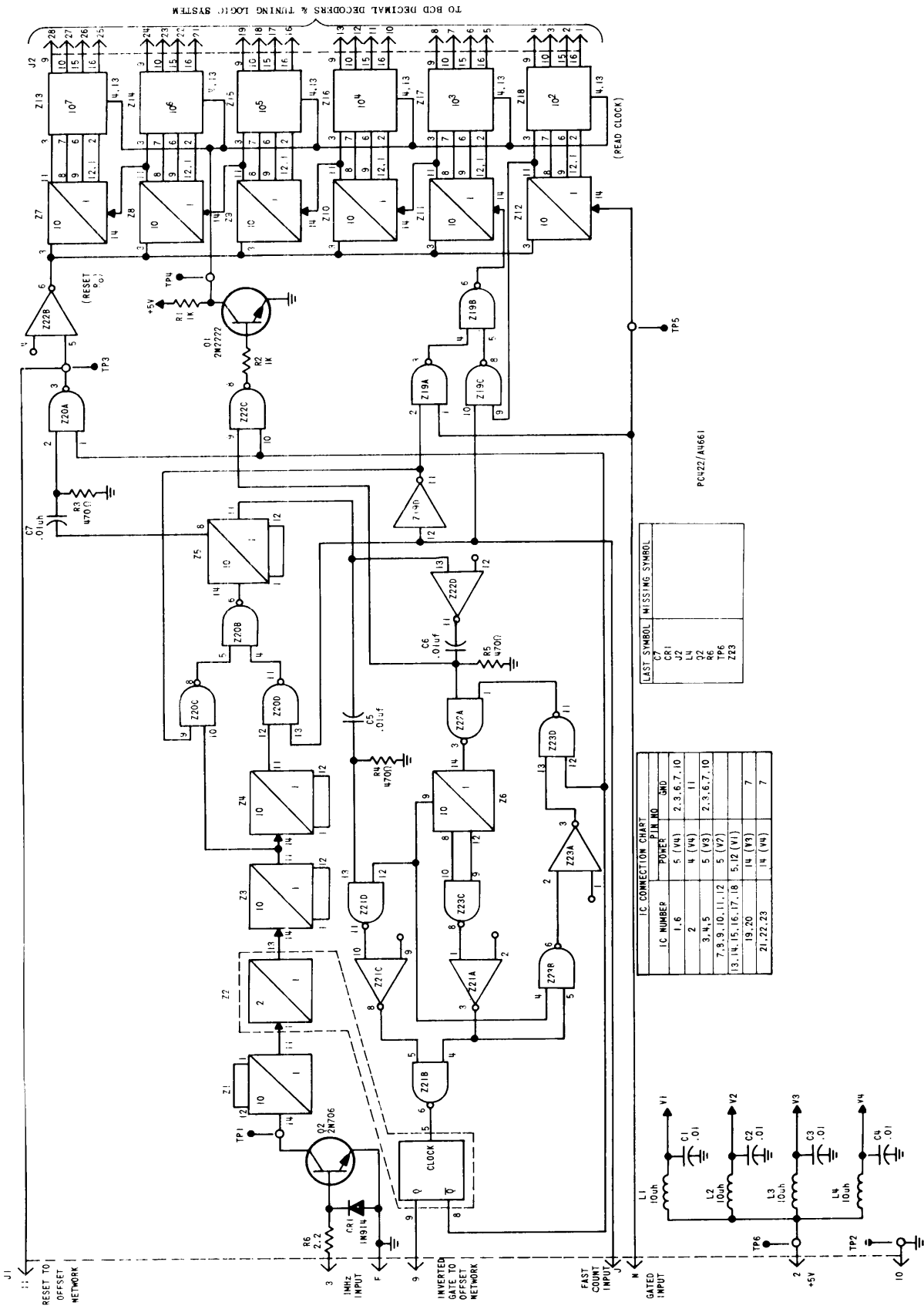
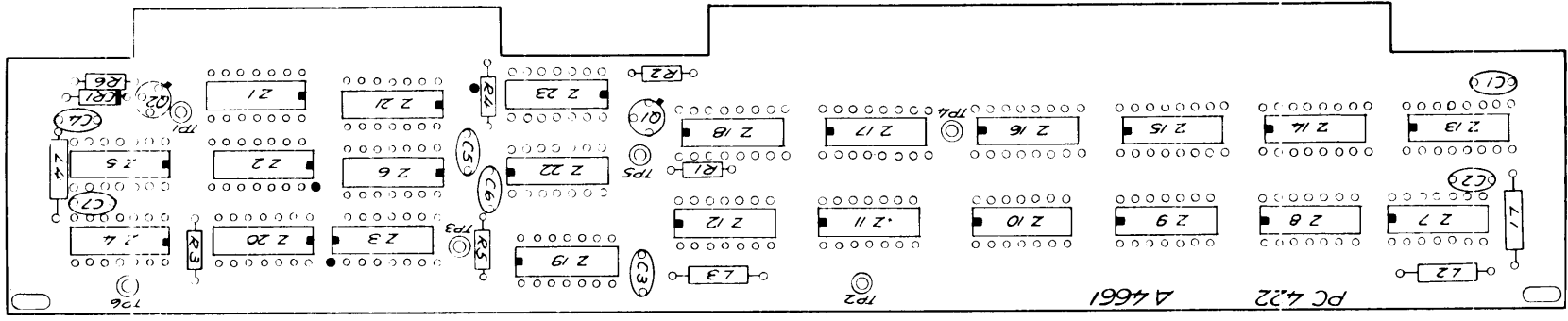


CK 1342

Figure 5-14/5-15. Offset 1A1A3, Schematic/Component Locations Diagram

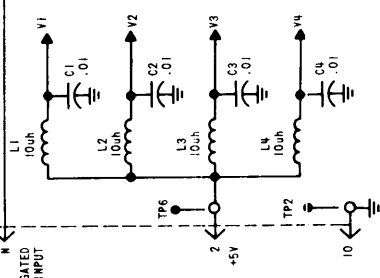
011690392

5-73/5-74



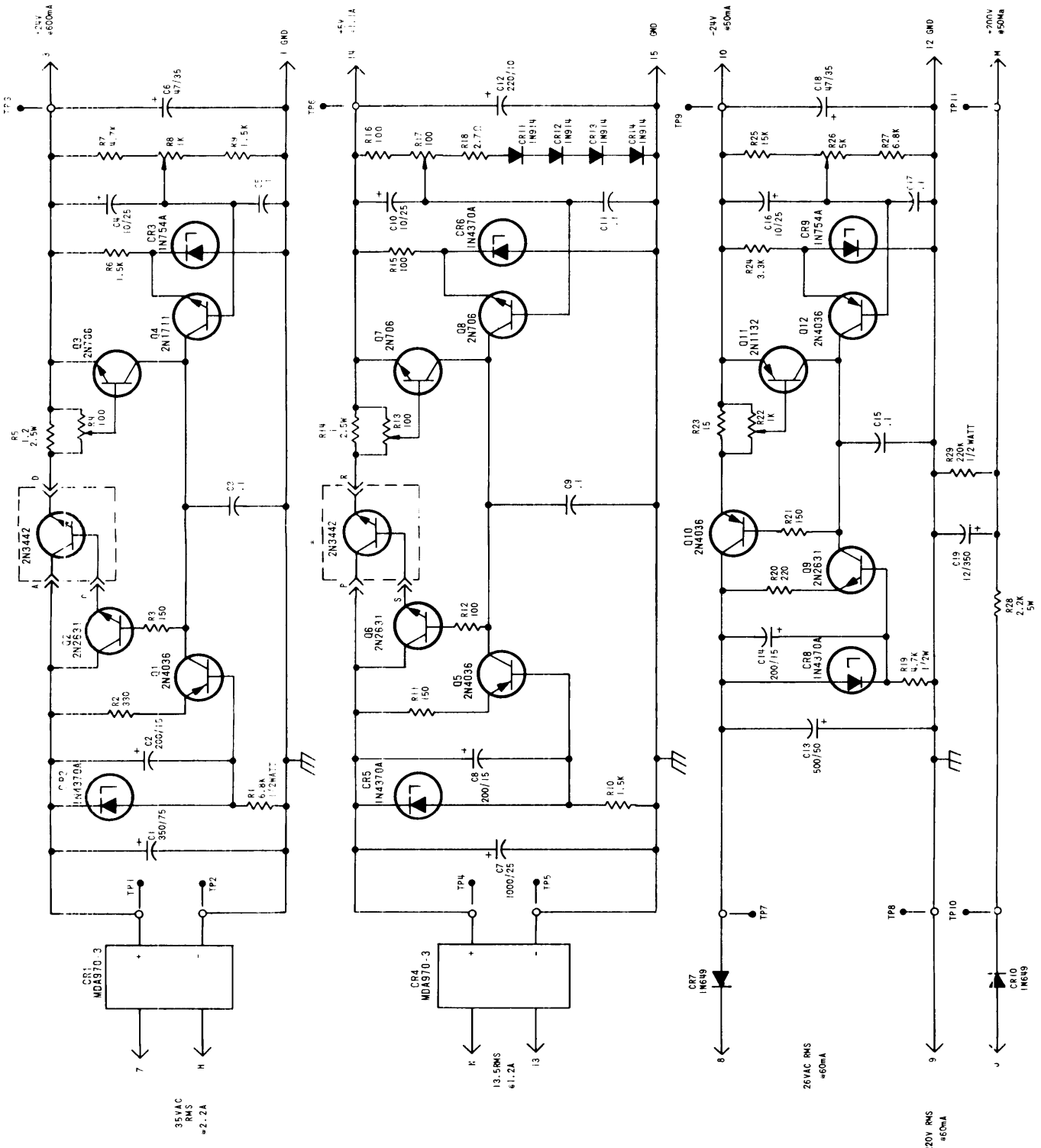
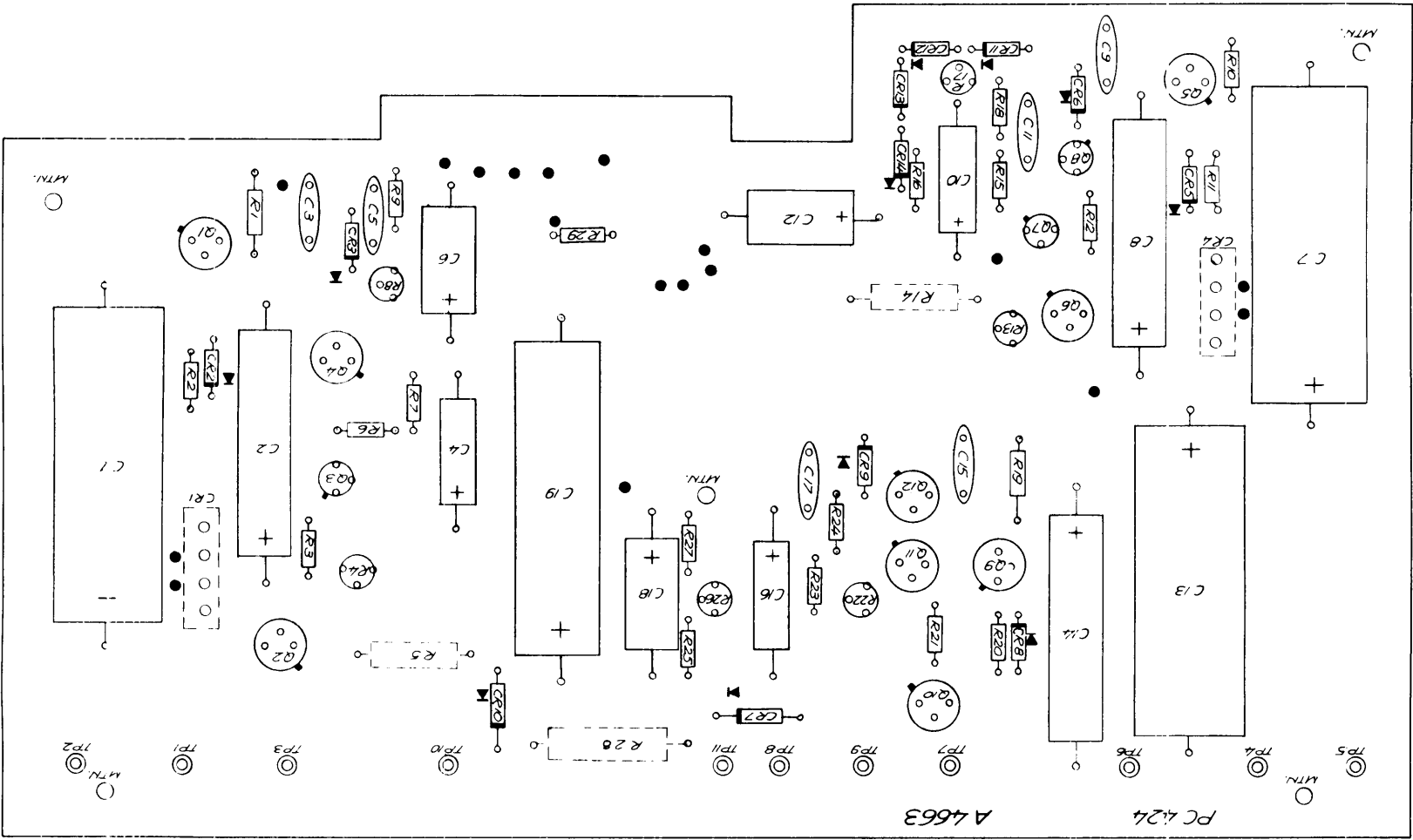
IC NUMBER	POWER PIN	NO.	AND
1, 6	5 (V1)	2, 3, 6, 7, 10	
2	4 (V4)	11	
3, 4, 5	5 (V3)	2, 3, 6, 7, 10	
7, 8, 9, 10, 11, 12	5 (V2)	5, 12 (V1)	
13, 14, 15, 16, 17, 18	14 (V1)	7	
19, 20	14 (V4)		
21, 22, 23	14 (V4)	7	

LAST SYMBOL	MISSING SYMBOL
C1	
J2	
L4	
Q2	
TP6	
Z23	



CK 1343

Figure 5-16/5-17. Gate Generator/Counter 1A1A4, Schematic/Component Locations Diagram  
011690392 5-75/5-76



UNLESS OTHERWISE SPECIFIED:

1. ALL RESISTANCE VALUES ARE IN OHMS,  $\Omega$ ,  $\text{K}$ , OR  $\text{M}$ .
2. ALL DECIMAL CAPACITANCE VALUES ARE IN MICROFARADS.
3. ALL WHOLE NUMBER CAPACITANCE VALUES ARE PICOFARADS.

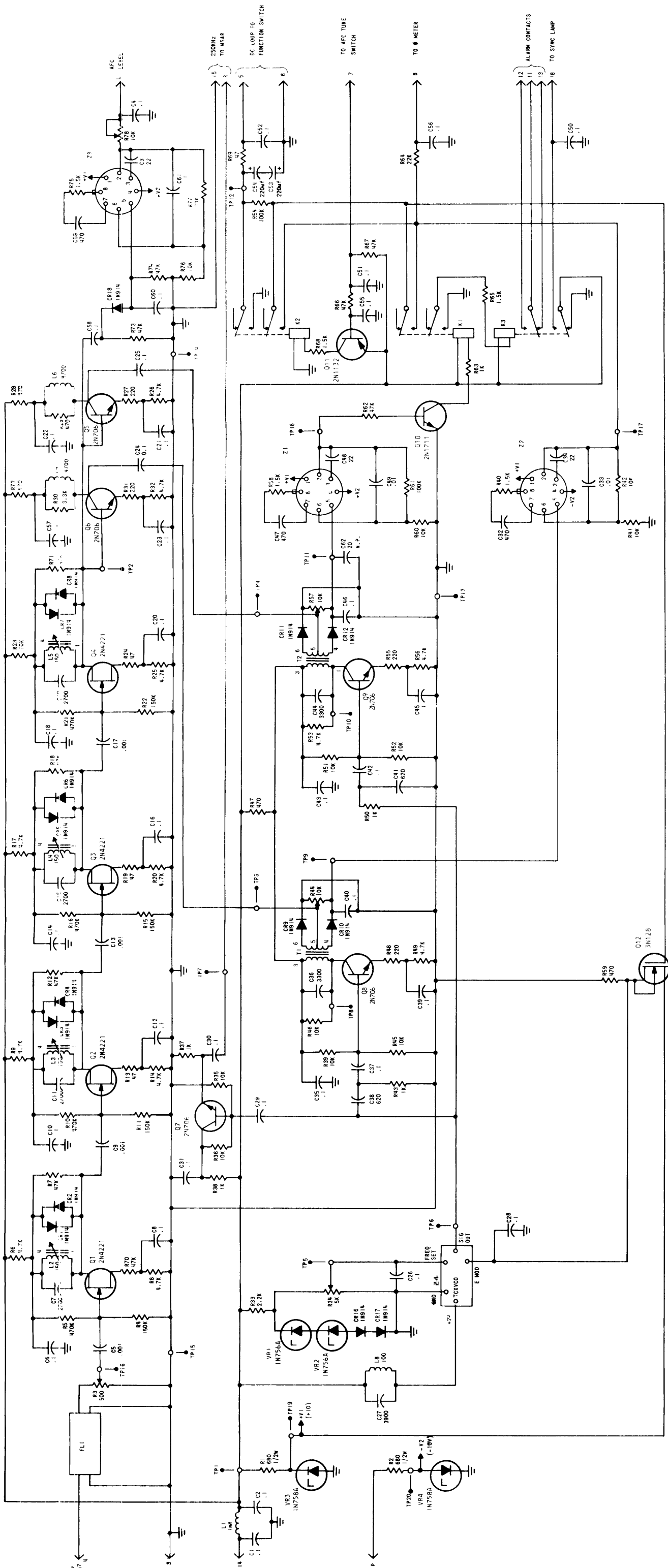
LIST SYMBOL	MISSING SYMBOL
C18	
CR14	
Q12	
R29	
TP11	

CK 1345

Figure 5-18/5-19. Power Supply 1A2, Schematic/Component Locations Diagram

011690392

5-77/5-78



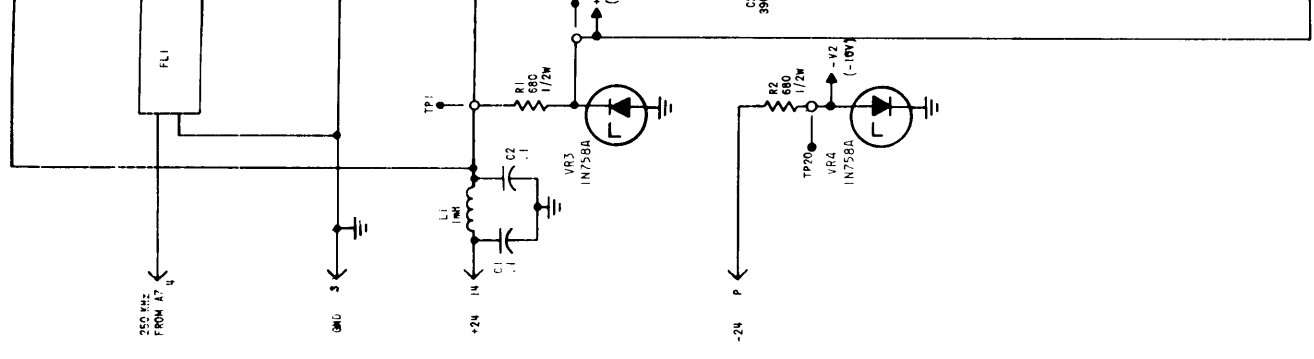
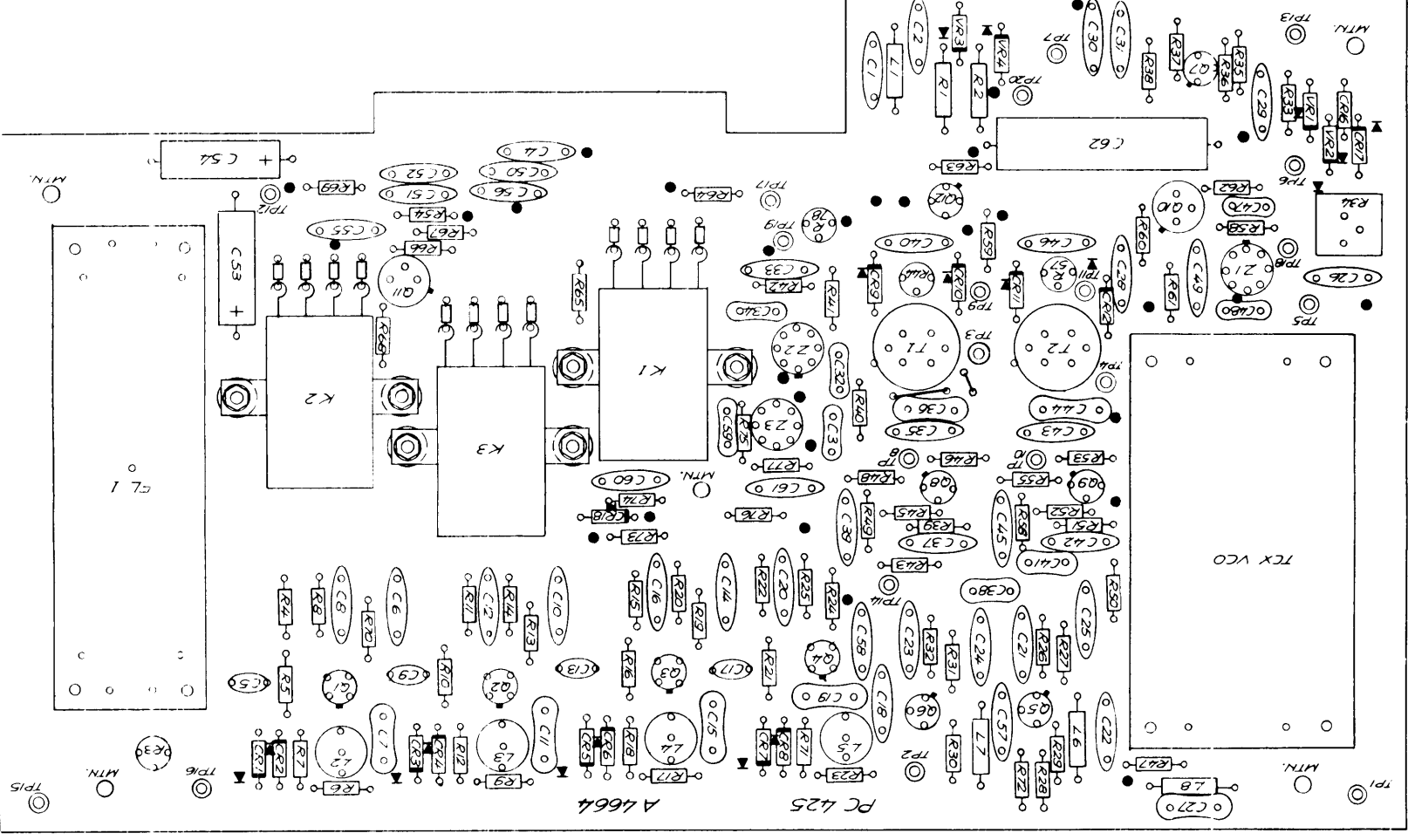
UNLESS OTHERWISE SPECIFIED:  
 1. ALL RESISTANCE VALUES ARE IN OHMS, 1/4 WATT  
 2. ALL WHOLE NUMBER CAPACITANCE VALUES ARE IN PICOFARADS  
 3. ALL DECIMAL NUMBER CAPACITANCE VALUES ARE IN MICROFARADS  
 4. ALL INDUCTANCE VALUES ARE IN MICRORHENRIES

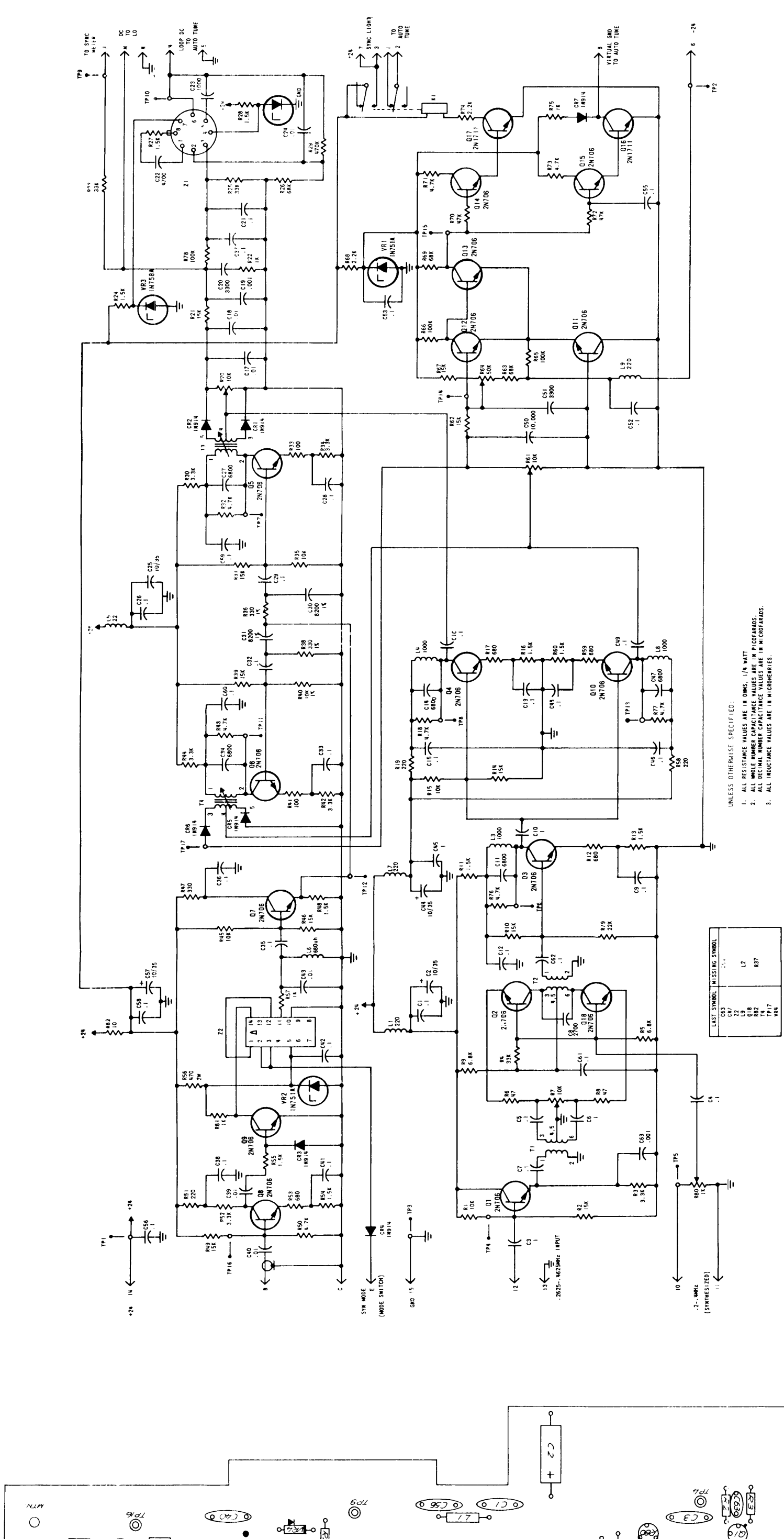
LAST SYMBOL	MISSING SYMBOL
C67	CR13, 14, 15
CR18	K3
L8	L8
L9	L9
L10	L10
L11	L11
L12	L12
L13	L13
L14	L14
L15	L15
L16	L16
L17	L17
L18	L18
L19	L19
L20	L20
L21	L21
L22	L22
L23	L23
L24	L24
L25	L25
L26	L26
L27	L27
L28	L28
L29	L29
L30	L30
L31	L31
L32	L32
L33	L33
L34	L34
L35	L35
L36	L36
L37	L37
L38	L38
L39	L39
L40	L40
L41	L41
L42	L42
L43	L43
L44	L44
L45	L45
L46	L46
L47	L47
L48	L48
L49	L49
L50	L50
L51	L51
L52	L52
L53	L53
L54	L54
L55	L55
L56	L56
L57	L57
L58	L58
L59	L59
L60	L60
L61	L61
L62	L62
L63	L63
L64	L64
L65	L65
L66	L66
L67	L67
L68	L68
L69	L69
L70	L70
L71	L71
L72	L72
L73	L73
L74	L74
L75	L75
L76	L76
L77	L77
L78	L78
L79	L79
L80	L80
L81	L81
L82	L82
L83	L83
L84	L84
L85	L85
L86	L86
L87	L87
L88	L88
L89	L89
L90	L90
L91	L91
L92	L92
L93	L93
L94	L94
L95	L95
L96	L96
L97	L97
L98	L98
L99	L99
L100	L100

Figure 5-20/5-21. AFC IA3, Schematic/Component Locations Diagram  
 011690392

5-79/5-80

CK 1346





- UNLESS OTHERWISE SPECIFIED:
1. ALL RESISTANCE VALUES ARE IN OHMS, 1/4 WATT
  2. ALL WHOLE NUMBER CAPACITANCE VALUES ARE IN MICROFARADS.
  3. ALL DECIMAL NUMBER CAPACITANCE VALUES ARE IN MICROFARADS.

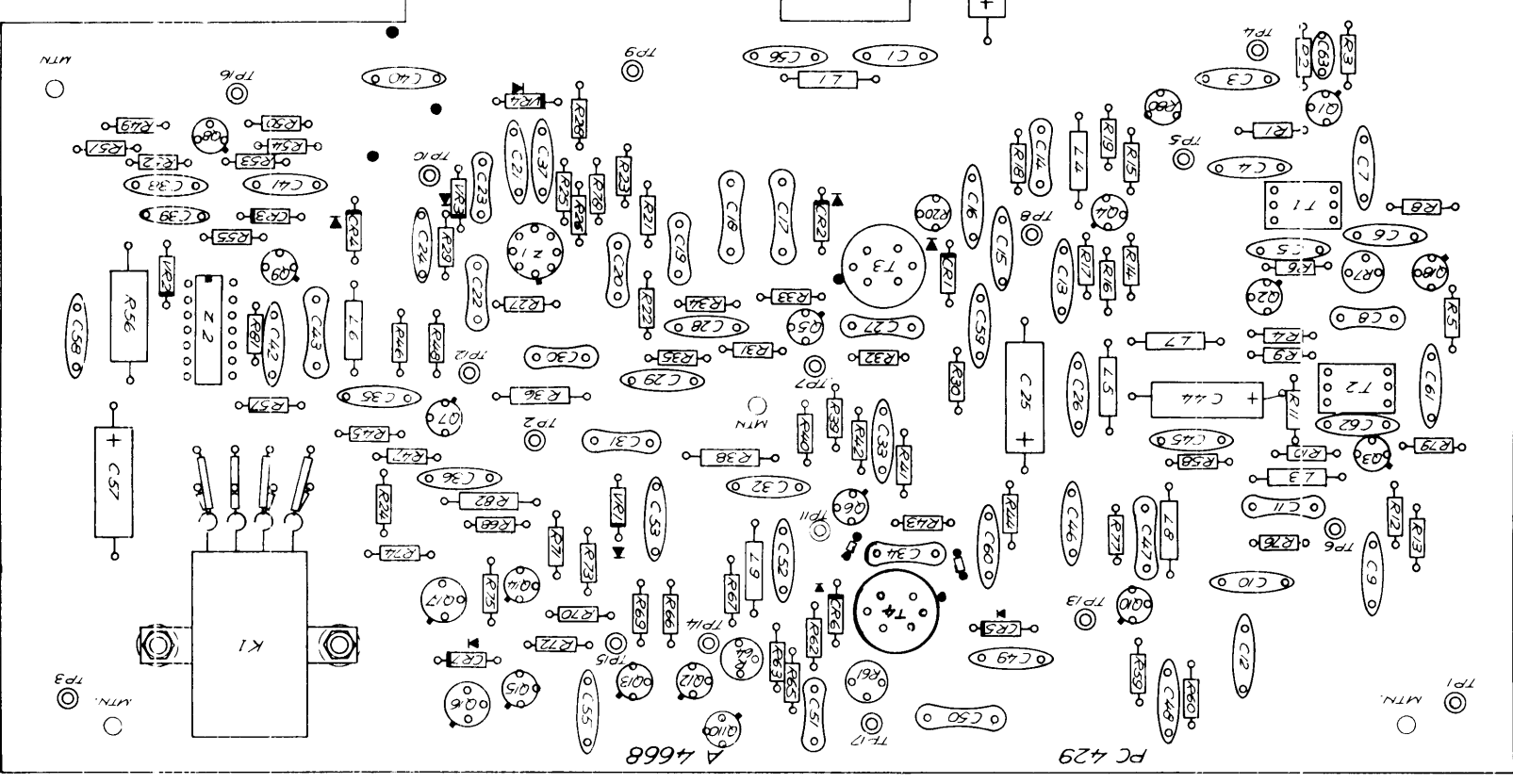
LAST SYMBOL	MISSING SYMBOL
C63	...
C67	...
Z2	L2
L9	R37
Q18	
Q19	
TP16	
TP17	
VR4	

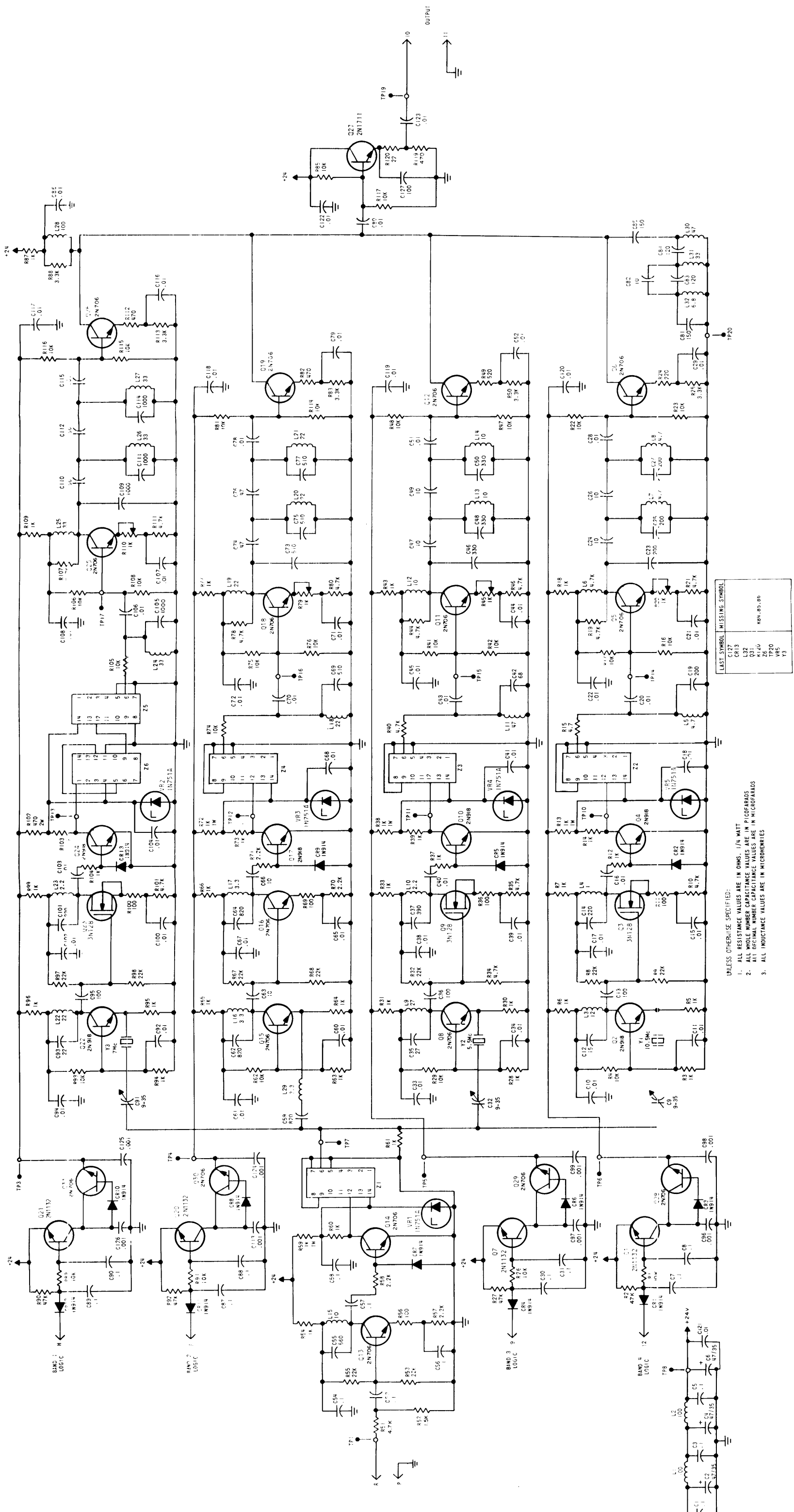
Figure 5-22/5-23. Phase Detector IA5, Schematic/Component Locations Diagram

011690392

5-81/5-82





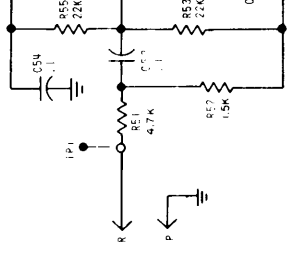
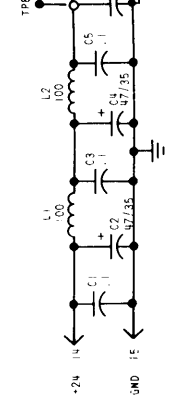
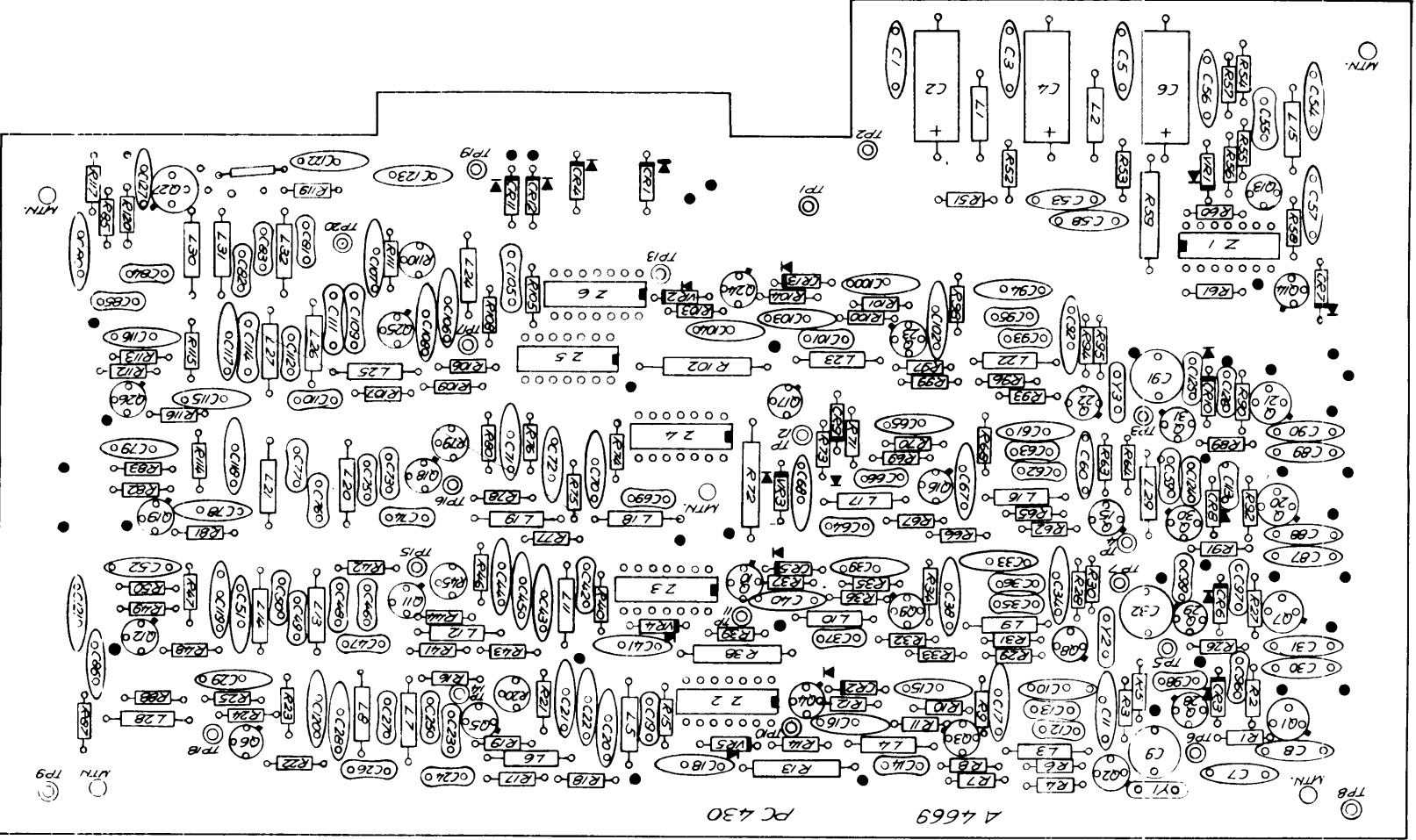


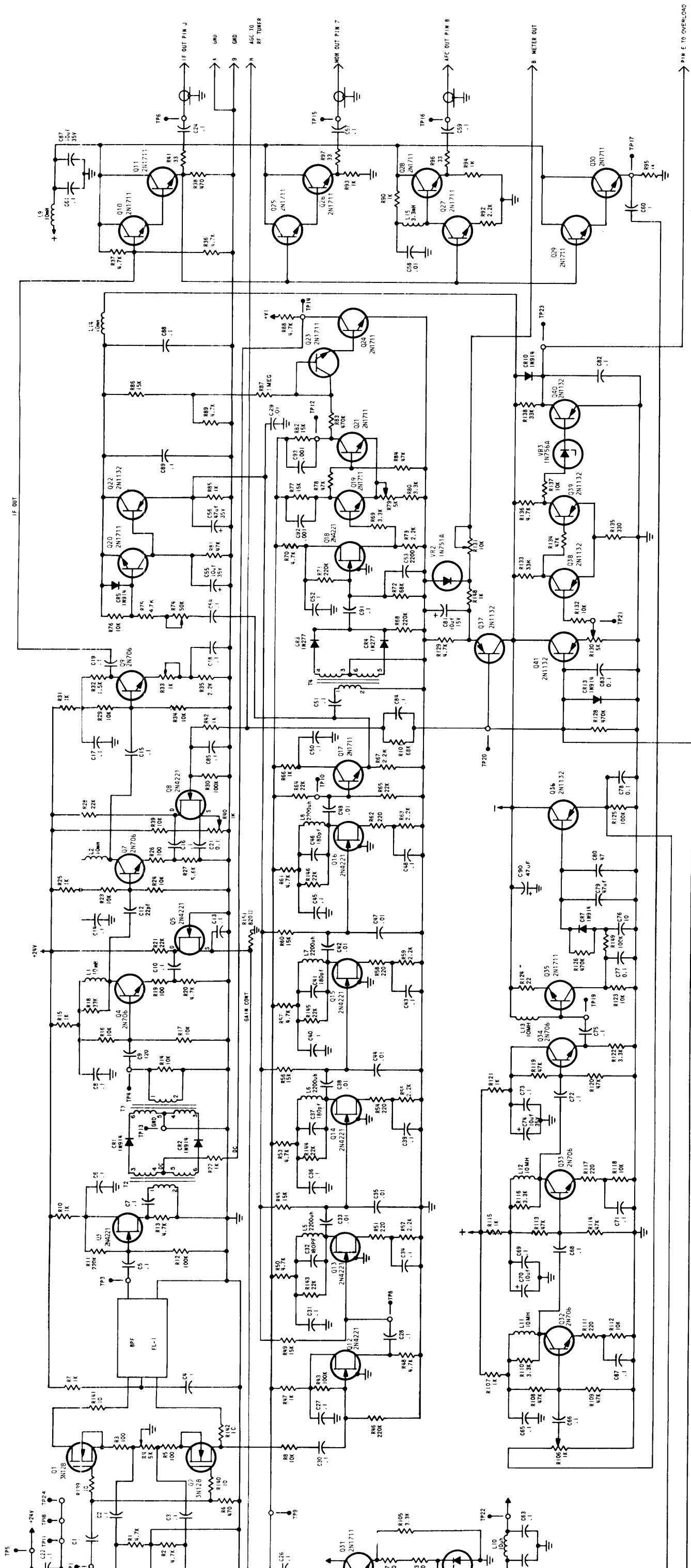
UNLESS OTHERWISE SPECIFIED:  
 1. ALL RESISTANCE VALUES ARE IN OHMS, /1/4 WATT  
 2. ALL WHOLE NUMBER CAPACITANCE VALUES ARE IN PICOFARADS  
 3. ALL DECIMAL NUMBER CAPACITANCE VALUES ARE IN MICROFARADS

LAST SYMBOL MISSING SYMBOL	
C127	C13
C128	C14
C129	C15
C130	C16
C131	C17
C132	C18
C133	C19
C134	C20
C135	C21
C136	C22
C137	C23
C138	C24
C139	C25
C140	C26
C141	C27
C142	C28
C143	C29
C144	C30
C145	C31
C146	C32
C147	C33
C148	C34
C149	C35
C150	C36
C151	C37
C152	C38
C153	C39
C154	C40
C155	C41
C156	C42
C157	C43
C158	C44
C159	C45
C160	C46
C161	C47
C162	C48
C163	C49
C164	C50
C165	C51
C166	C52
C167	C53
C168	C54
C169	C55
C170	C56
C171	C57
C172	C58
C173	C59
C174	C60
C175	C61
C176	C62
C177	C63
C178	C64
C179	C65
C180	C66
C181	C67
C182	C68
C183	C69
C184	C70
C185	C71
C186	C72
C187	C73
C188	C74
C189	C75
C190	C76
C191	C77
C192	C78
C193	C79
C194	C80
C195	C81
C196	C82
C197	C83
C198	C84
C199	C85
C200	C86
C201	C87
C202	C88
C203	C89
C204	C90
C205	C91
C206	C92
C207	C93
C208	C94
C209	C95
C210	C96
C211	C97
C212	C98
C213	C99
C214	C100

CK 1349

Figure 5-24/5-25. Subsynthesizer 1A6, Schematic/Component Locations Diagram





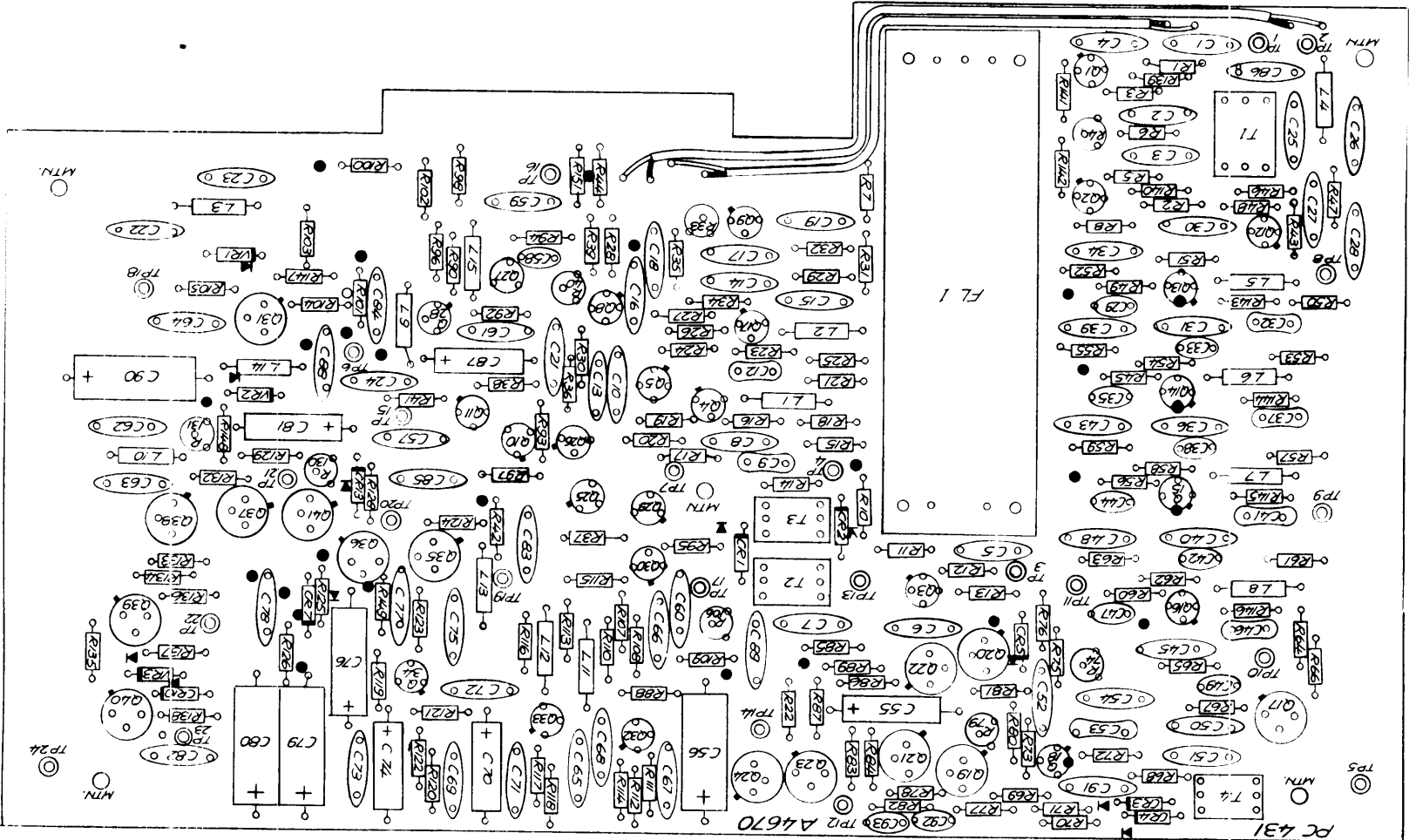
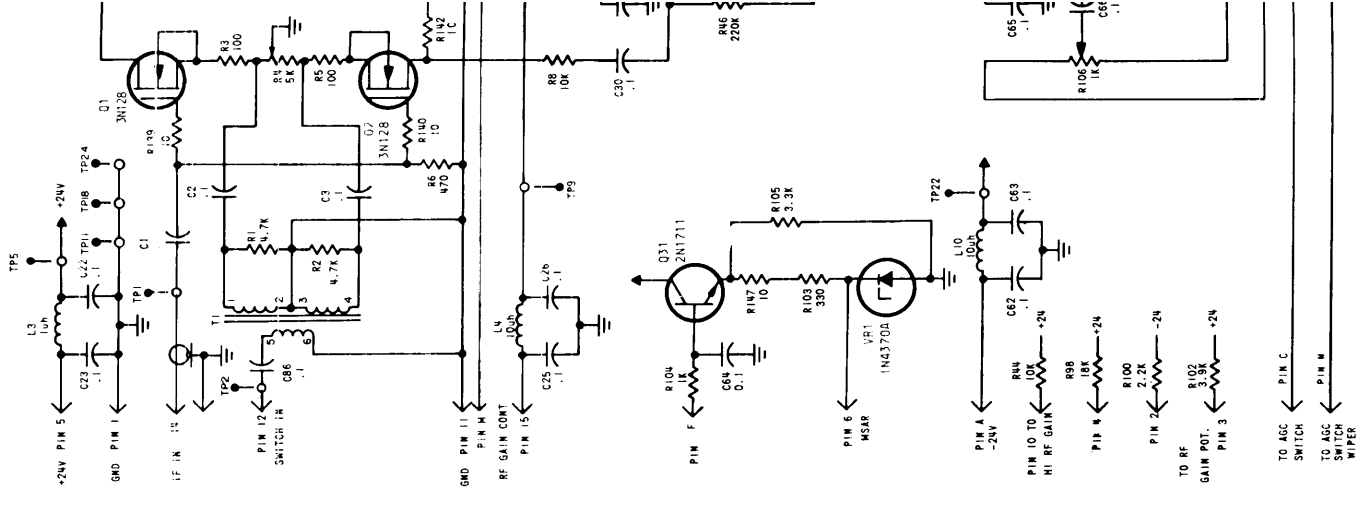
PC331/4670

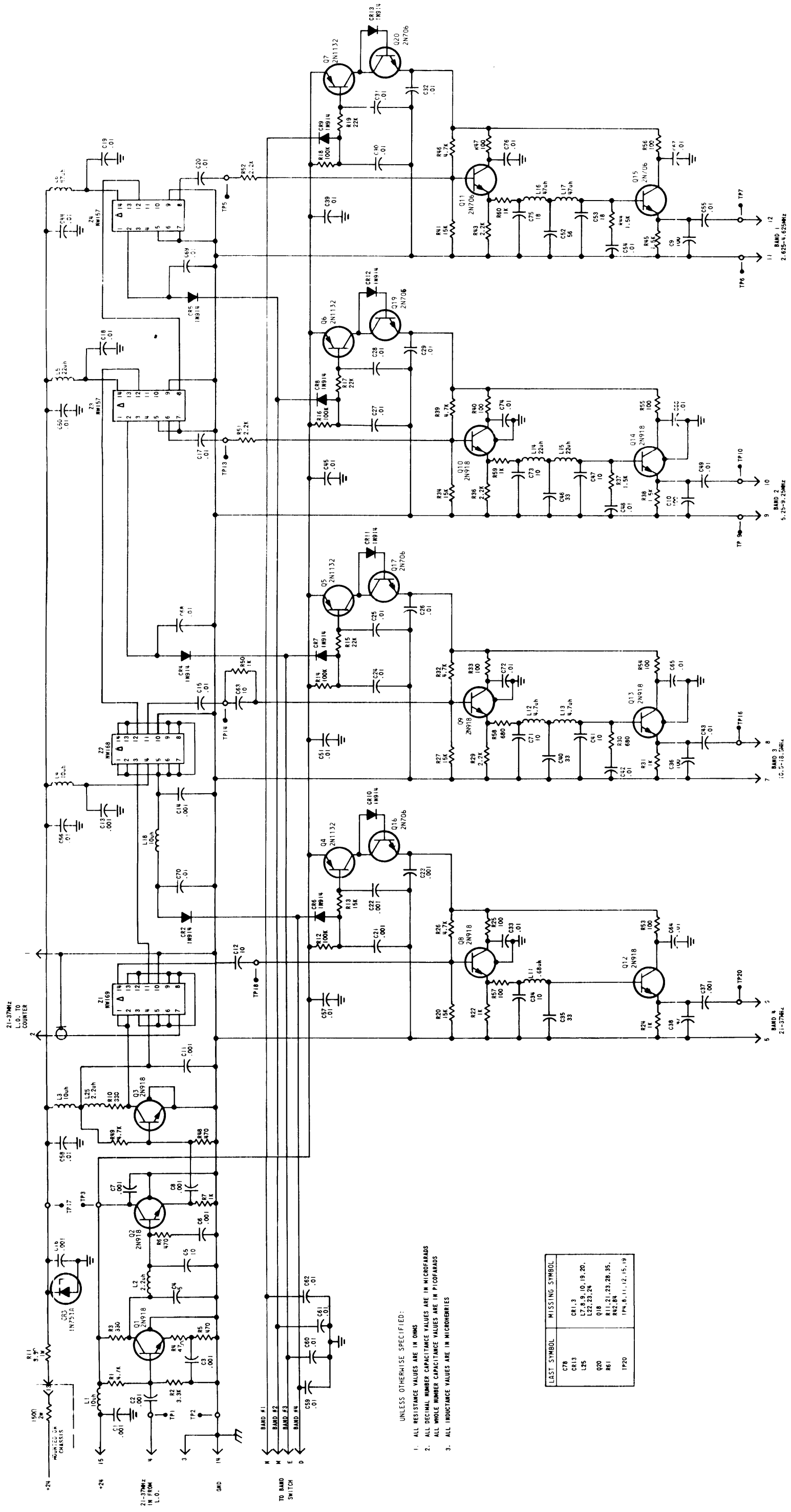
UNLESS OTHERWISE SPECIFIED:  
 1. ALL RESISTANCE VALUES ARE IN OHMS,  $\Omega$ /M.  
 2. ALL DECIMAL NUMBER CAPACITANCE VALUES ARE IN MICROFARADS  
 3. ALL WHOLE NUMBER CAPACITANCE VALUES ARE IN PICOFARADS  
 4. ALL INDUCTANCE VALUES ARE IN MICROHENRIES

LAST SYMBOL	MISSING SYMBOL
C53	C11,20,79
C54	C86,8,9,1,1,12
L15	L15
L16	L16
R15	R6
R16	R1,99,127
R17	R1,20
R18	R43

Figure 5-26/5-27. Second IF Amplifier 1A7, Schematic/Component Locations Diagram

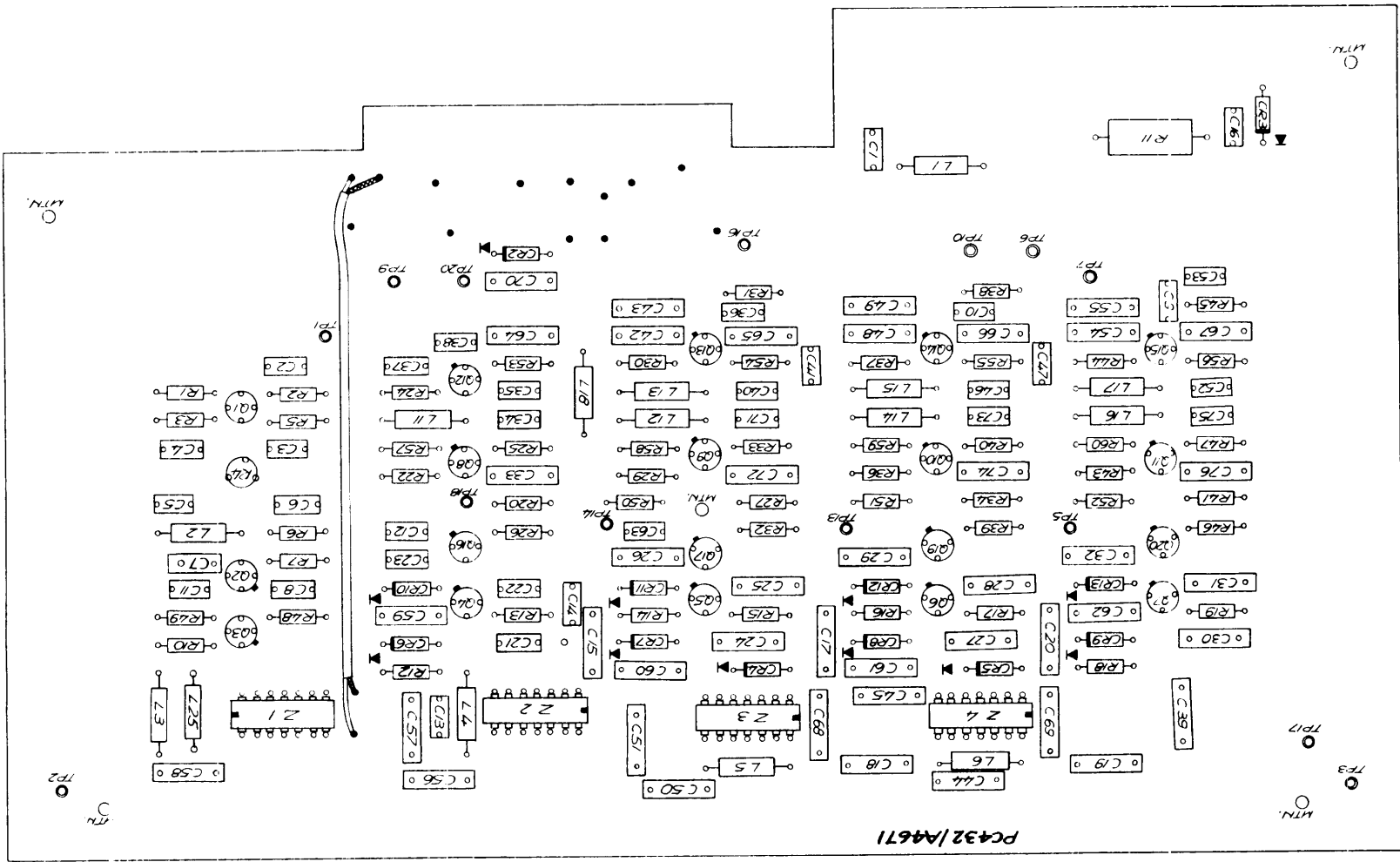
011690392





CK 1351

Figure 5-28/5-29. Local Oscillator Divider 1A8, Schematic/Component Locations Diagram  
 011690392



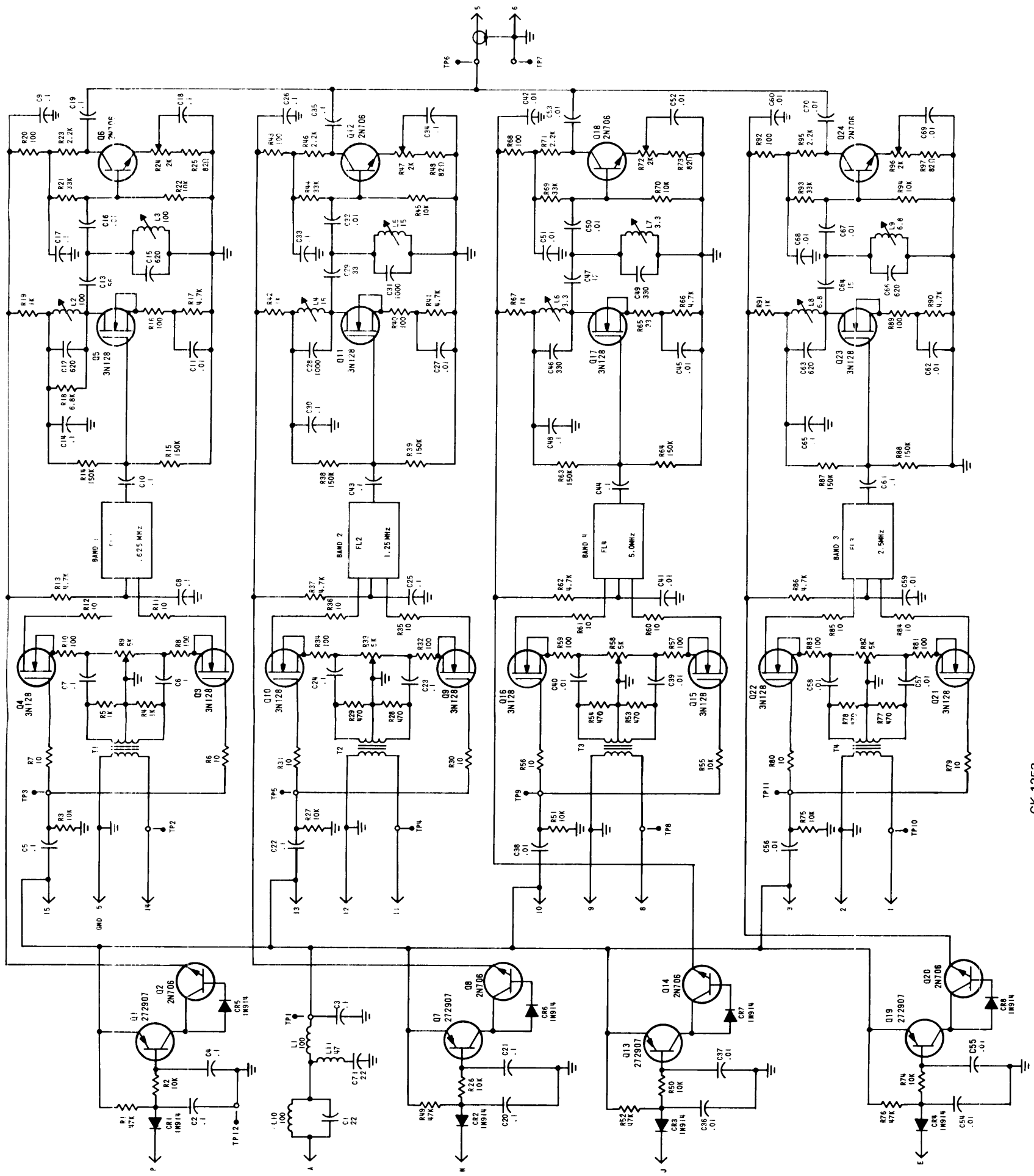
21-37MHz  
IN FROM  
L.O.

TO BAND  
SWITCH

040

15

24



LAST SYMBOL	MISSING SYMBOL
C70	
C88	
L15	
Q24	
R97	
T4	

CK 1352

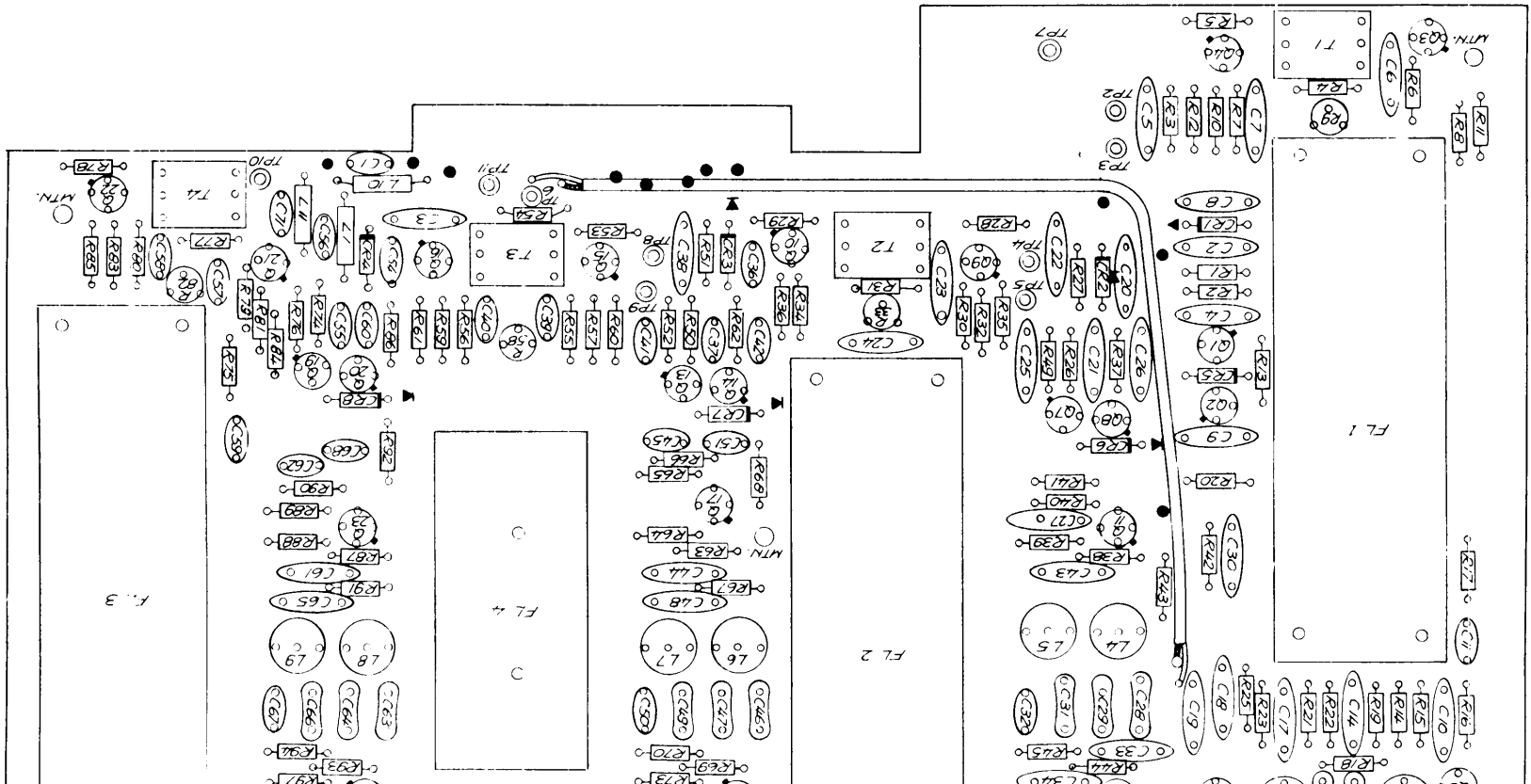
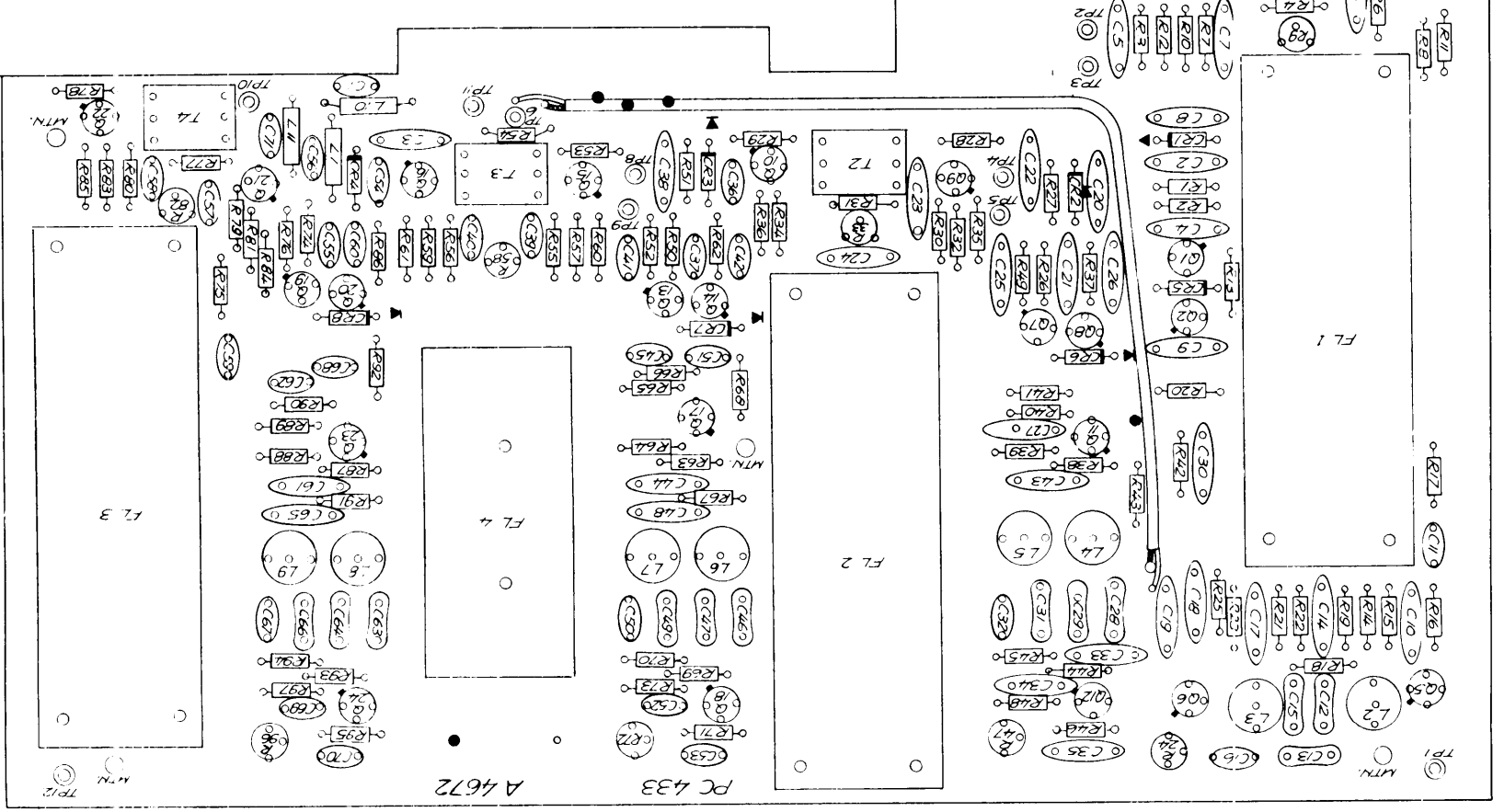
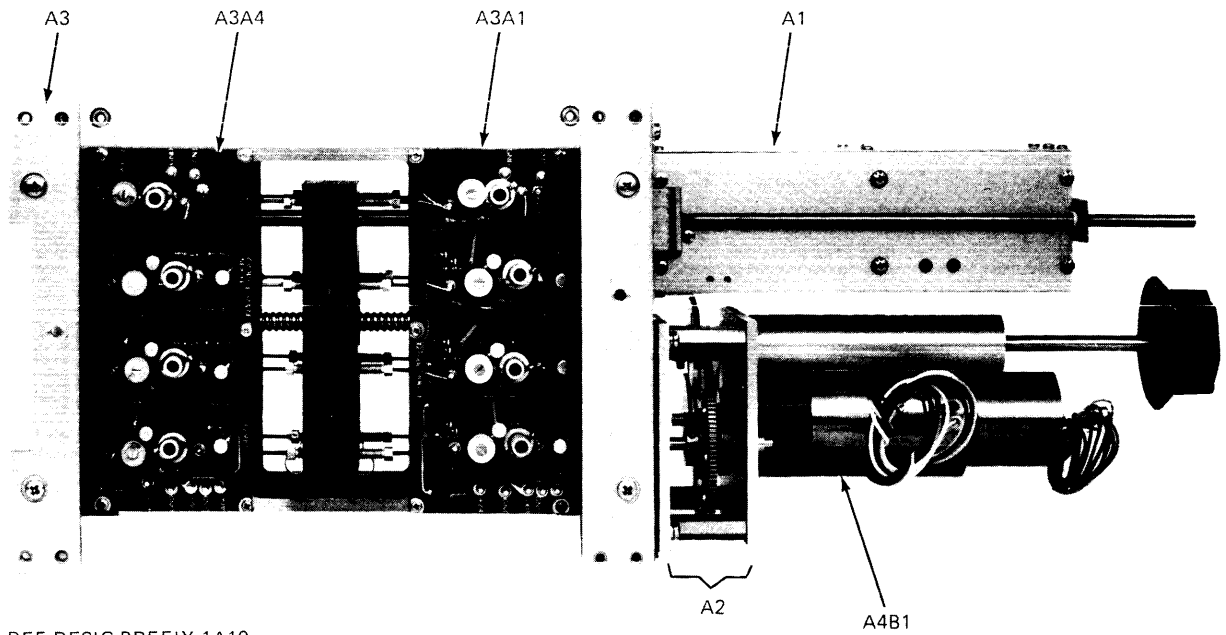


Figure 5-30/5-31. First IF Amplifier 1A9, Schematic/Component Locations Diagram

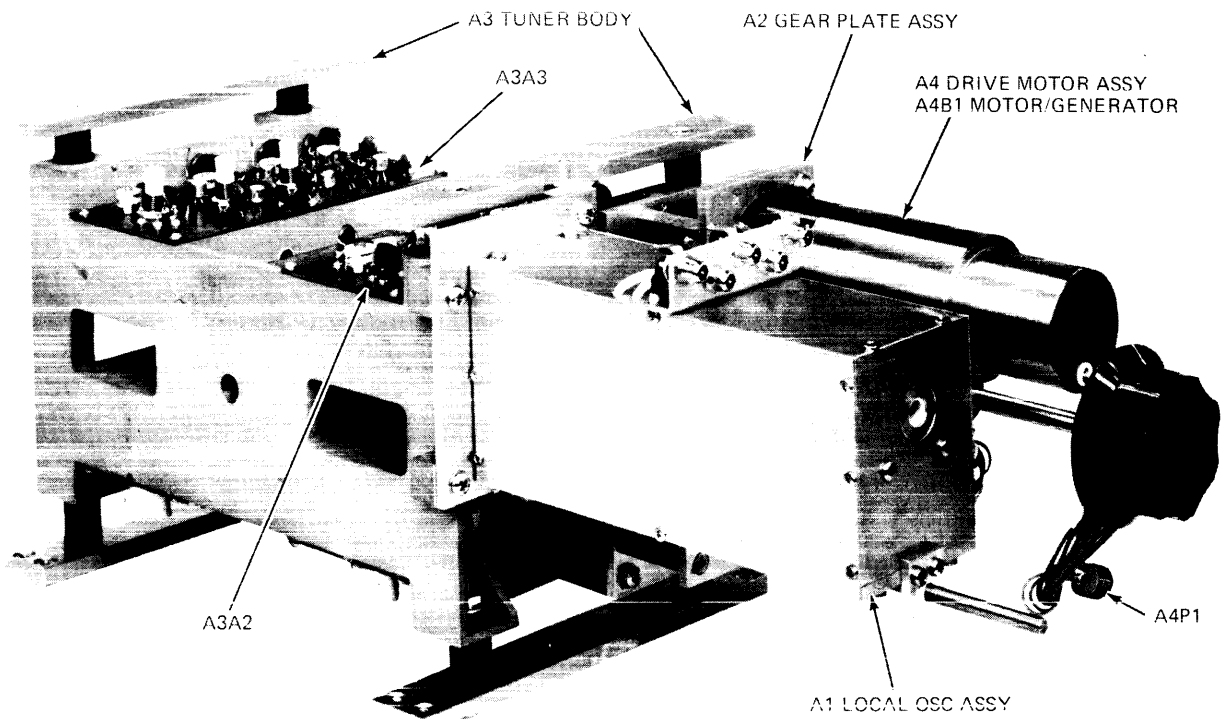
011690392





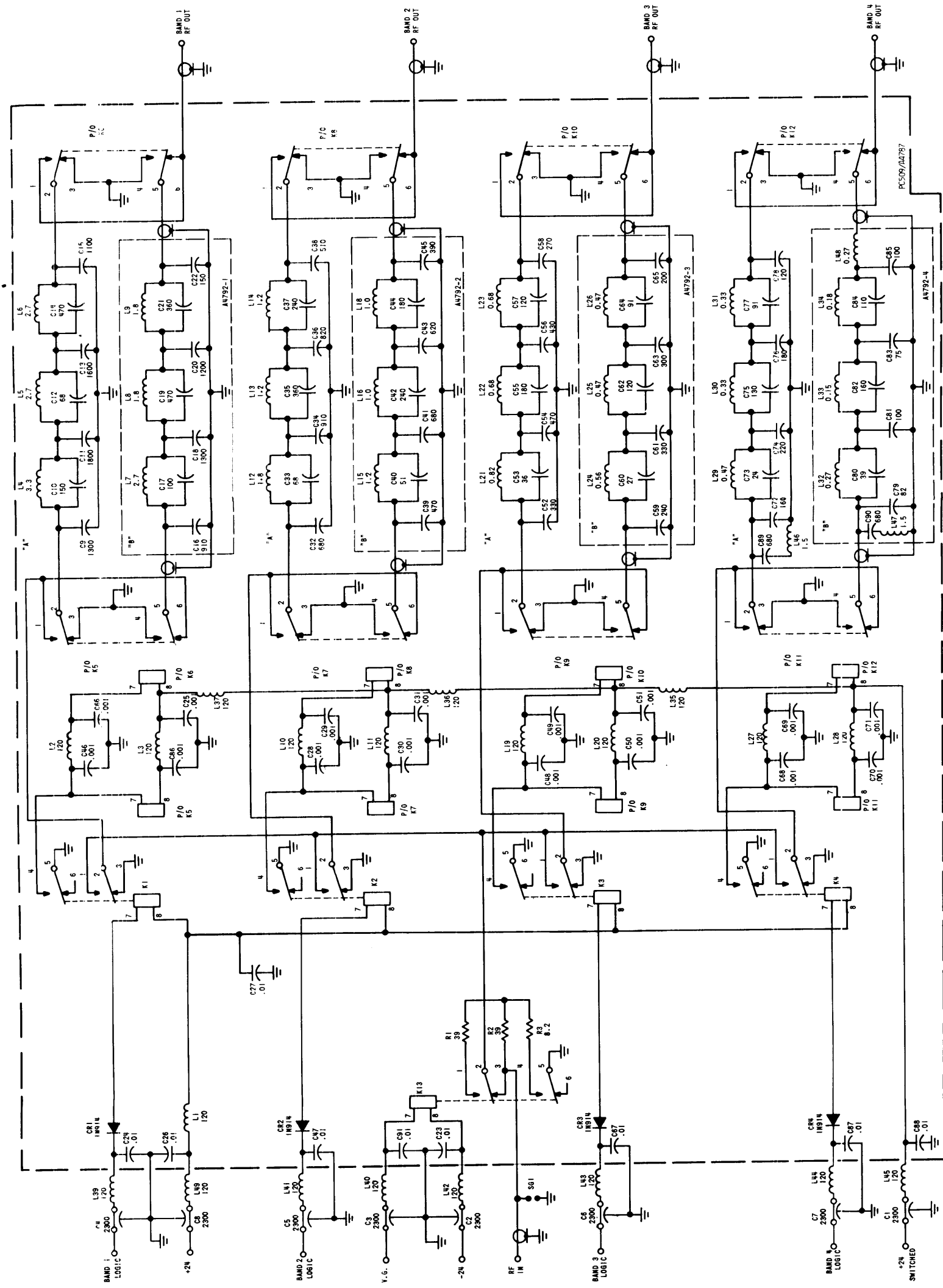


REF DESIG PREFIX 1A10  
 REF DESIG PREFIX 1A10, 5A10



REF DESIG PREFIX 1A10  
 REF DESIG PREFIX 1A10, 5A10

Figure 5-32. Tuner Assembly 1A10, Major Component Locations Diagram



- UNLESS OTHERWISE SPECIFIED:
1. ALL RESISTANCE VALUES ARE IN OHMS-1/4 WATT
  2. ALL DECIMAL NUMBER CAPACITANCE VALUES ARE IN MICROFARADS
  3. ALL WHOLE NUMBER CAPACITANCE VALUES ARE IN PICOFARADS
  4. ALL INDUCTANCE VALUES ARE IN MICRONEMRIES
  - N. FILTER "8" IS MOUNTED IN SUB-ASSEMBLY

LAST SYMBOL	MISSING SYMBOL
C81	L17
C84	
L18	
R3	
S61	

CK 1633

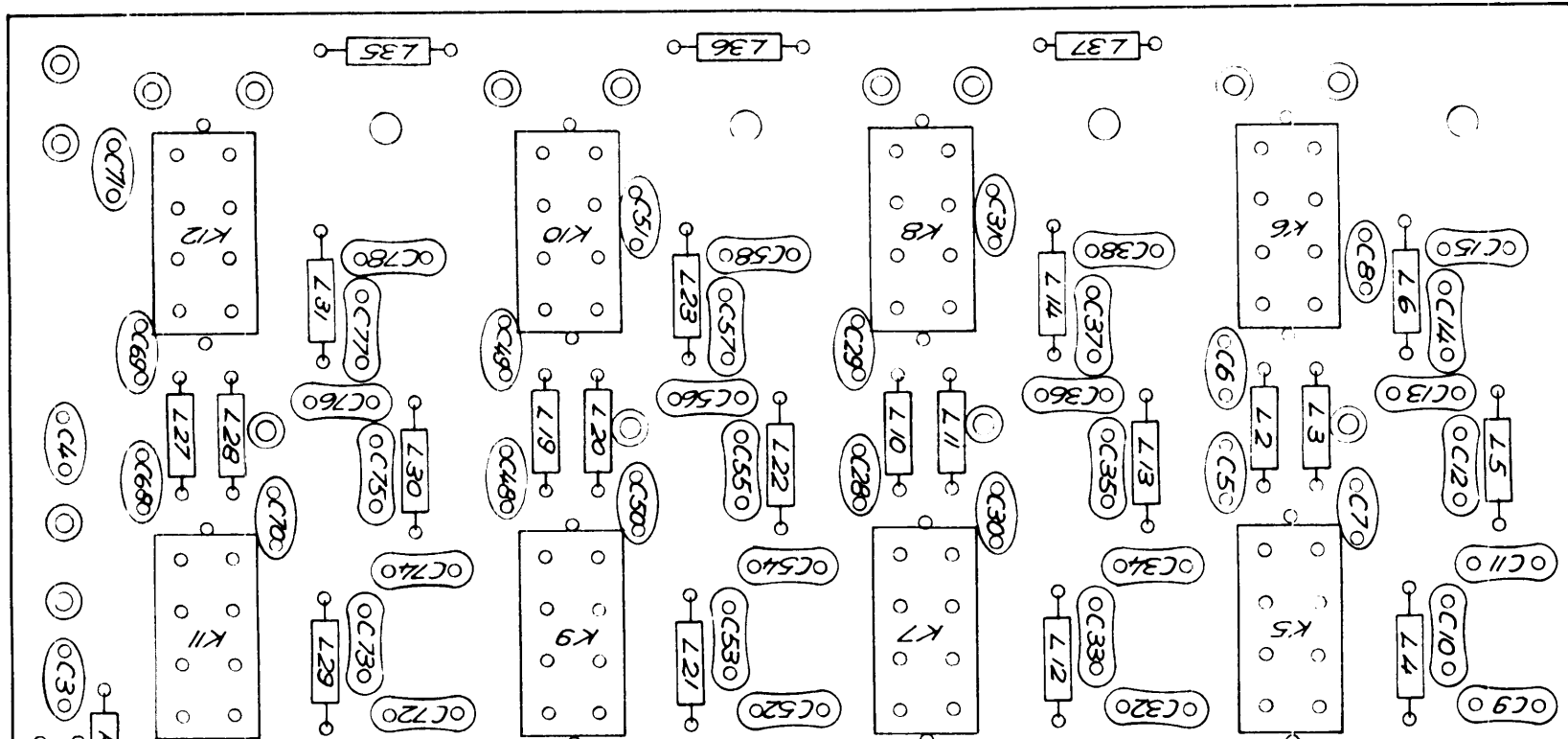
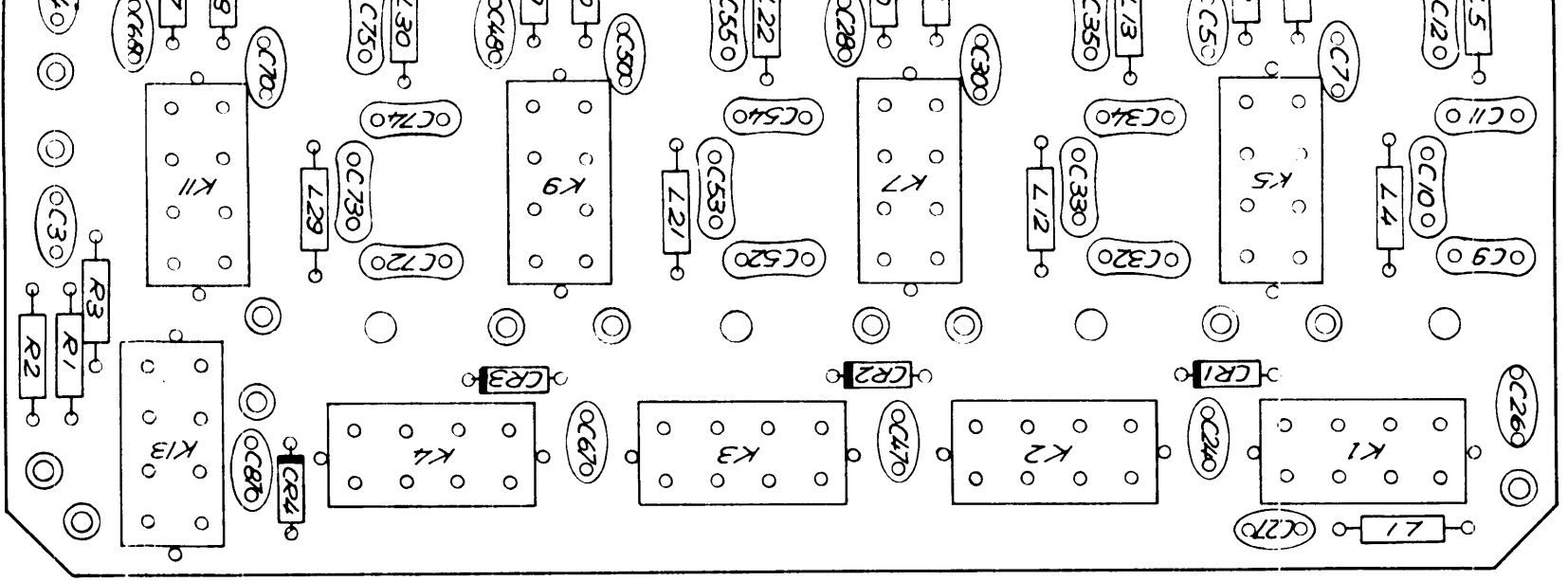


Figure 5-33/5-34. Input/Attenuator 1A11, Schematic/Component Locations Diagram

011690392



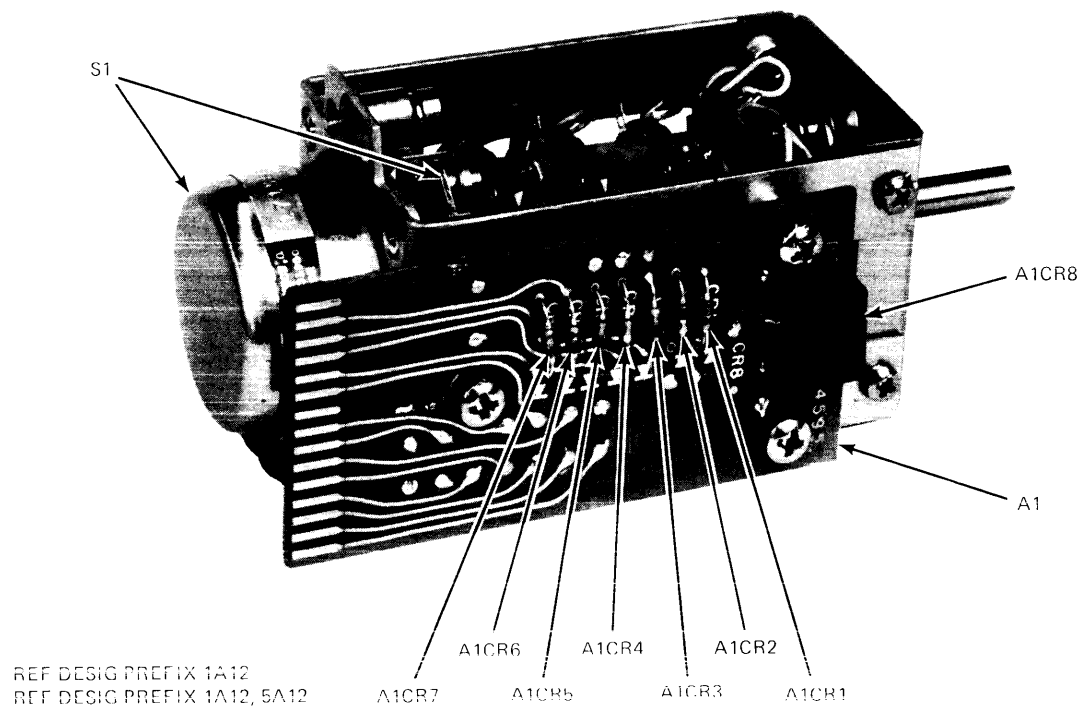
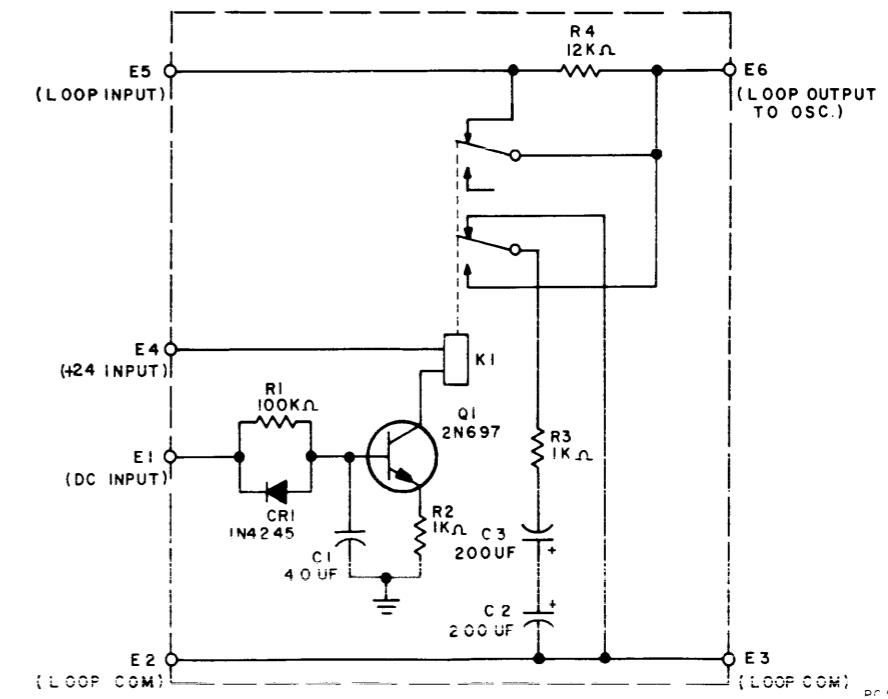
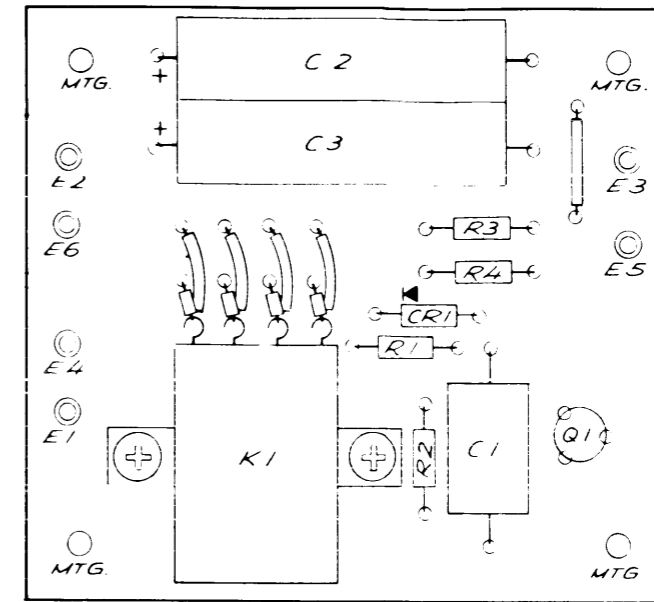


Figure 5-35. FUNCTION Stepping Switch Assembly 1A12, Component Locations Diagram



LAST SYMBOL	MISSING SYMBOL
C 3	
CR 1	
E 6	
K 1	
Q 1	
R 4	

CK 1634

Figure 5-36/5-37. A-C Filter 1A13, Schematic/Component Locations Diagram

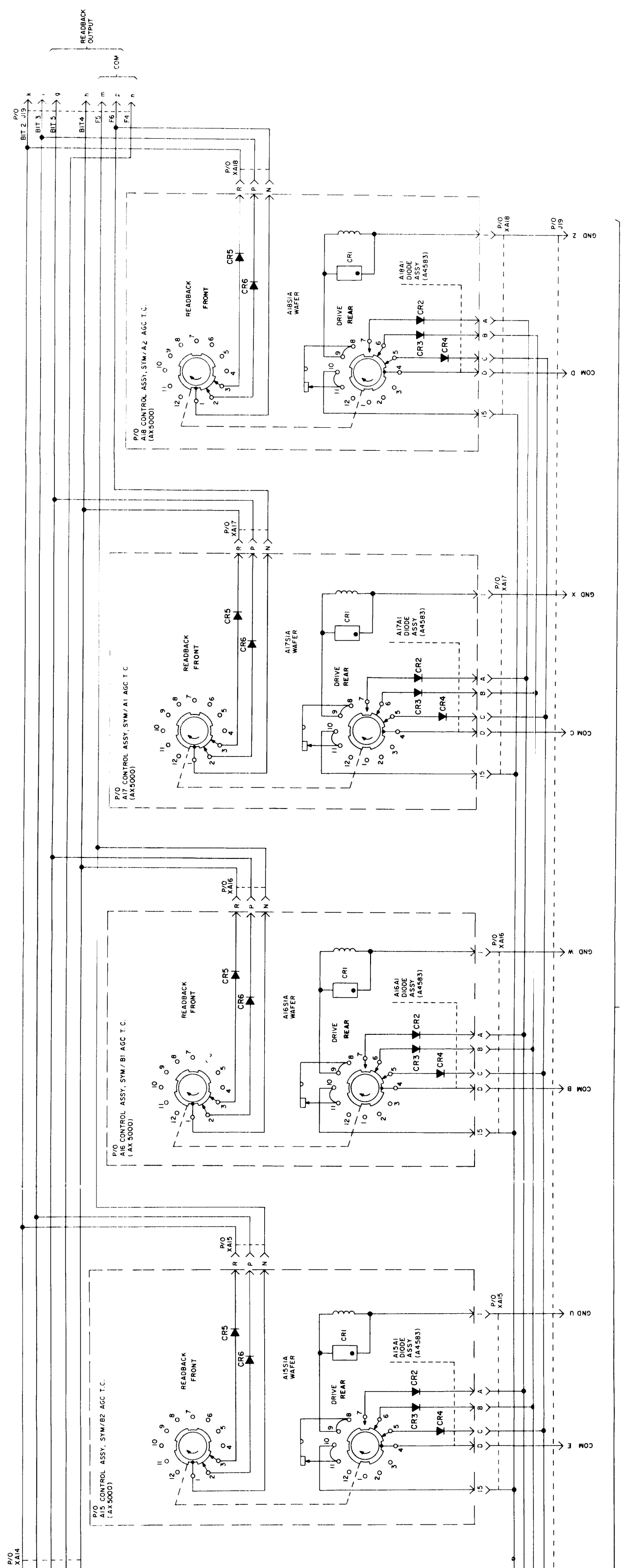
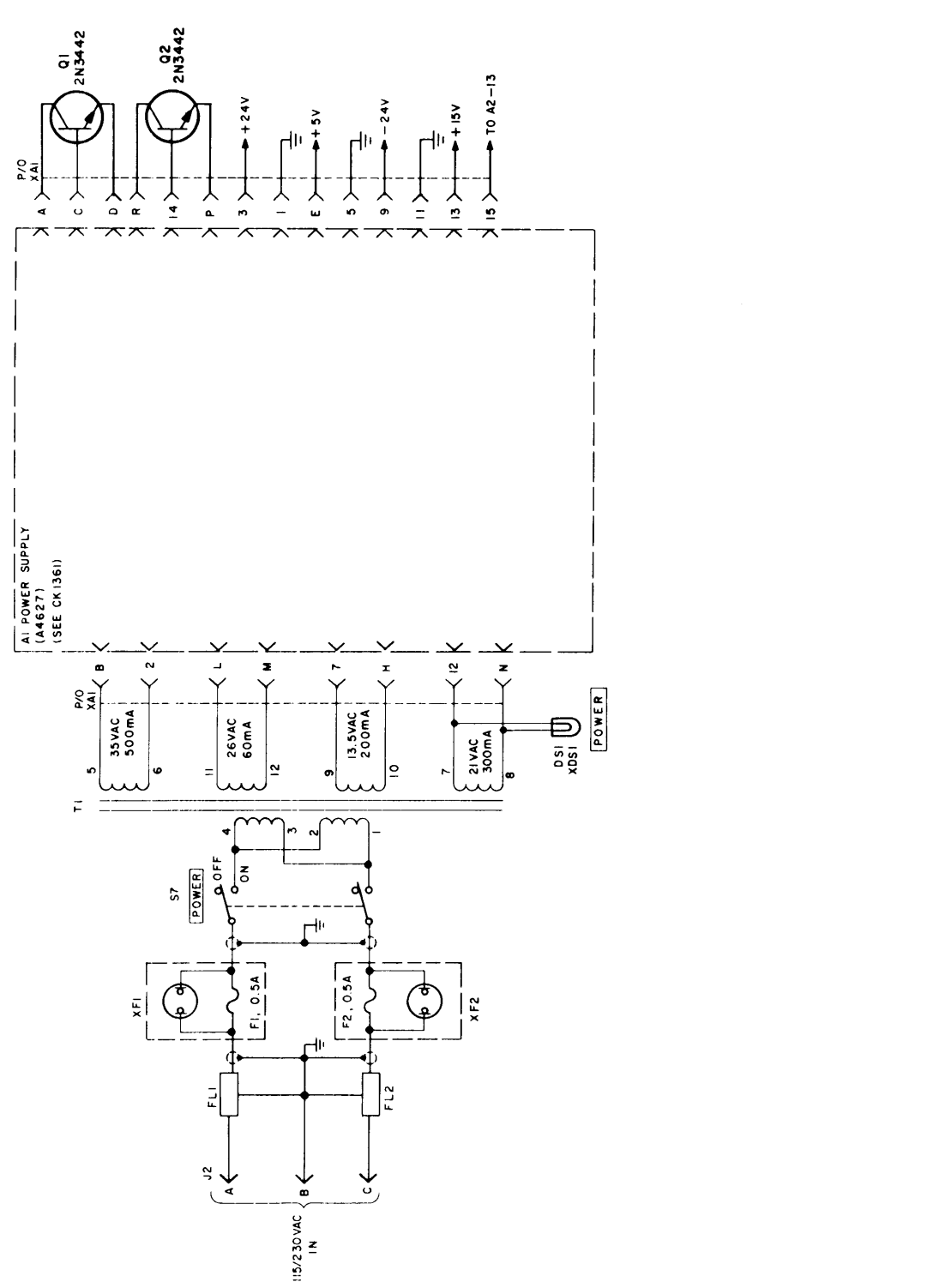
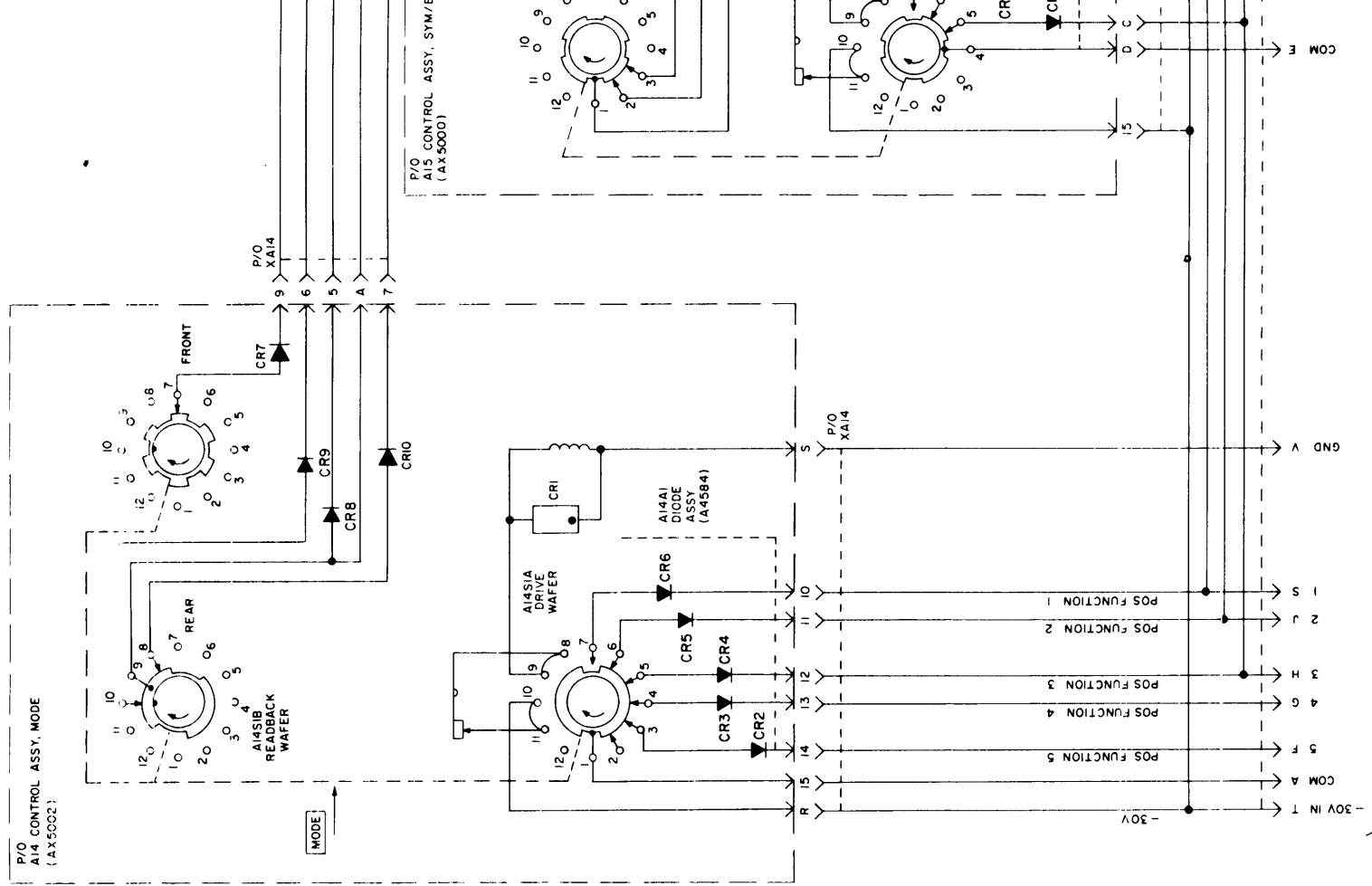


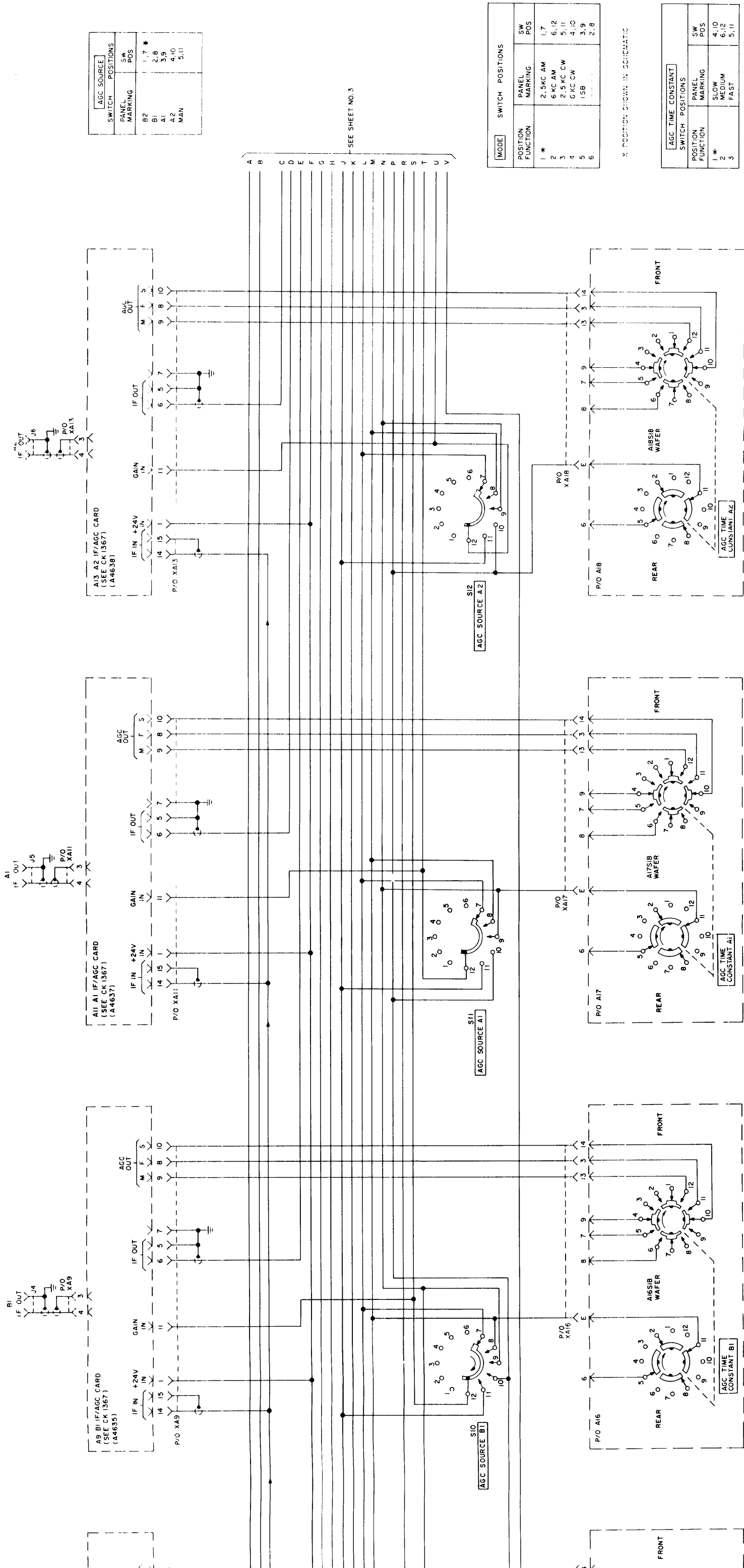
Figure 5-38. Unit 2 (TD-969/FRR), Schematic Diagram (Sheet 1 of 3)

011690392



CK 1360





AGC SOURCE SWITCH POSITIONS	
PANEL MARKING	SW POS
B2	1, 7 *
BI	2, 8
A1	3, 9
A2	4, 10
MAN	5, 11

SEE SHEET NO. 3

SWITCH POSITIONS		
MODE POSITION FUNCTION	PANEL MARKING	SW POS
1 *	2.5KC AM	1, 7
2	6 KC AM	6, 12
3	2.5 KC CW	5, 11
4	G KC CW	4, 10
5	1SB	3, 9
6		2, 8

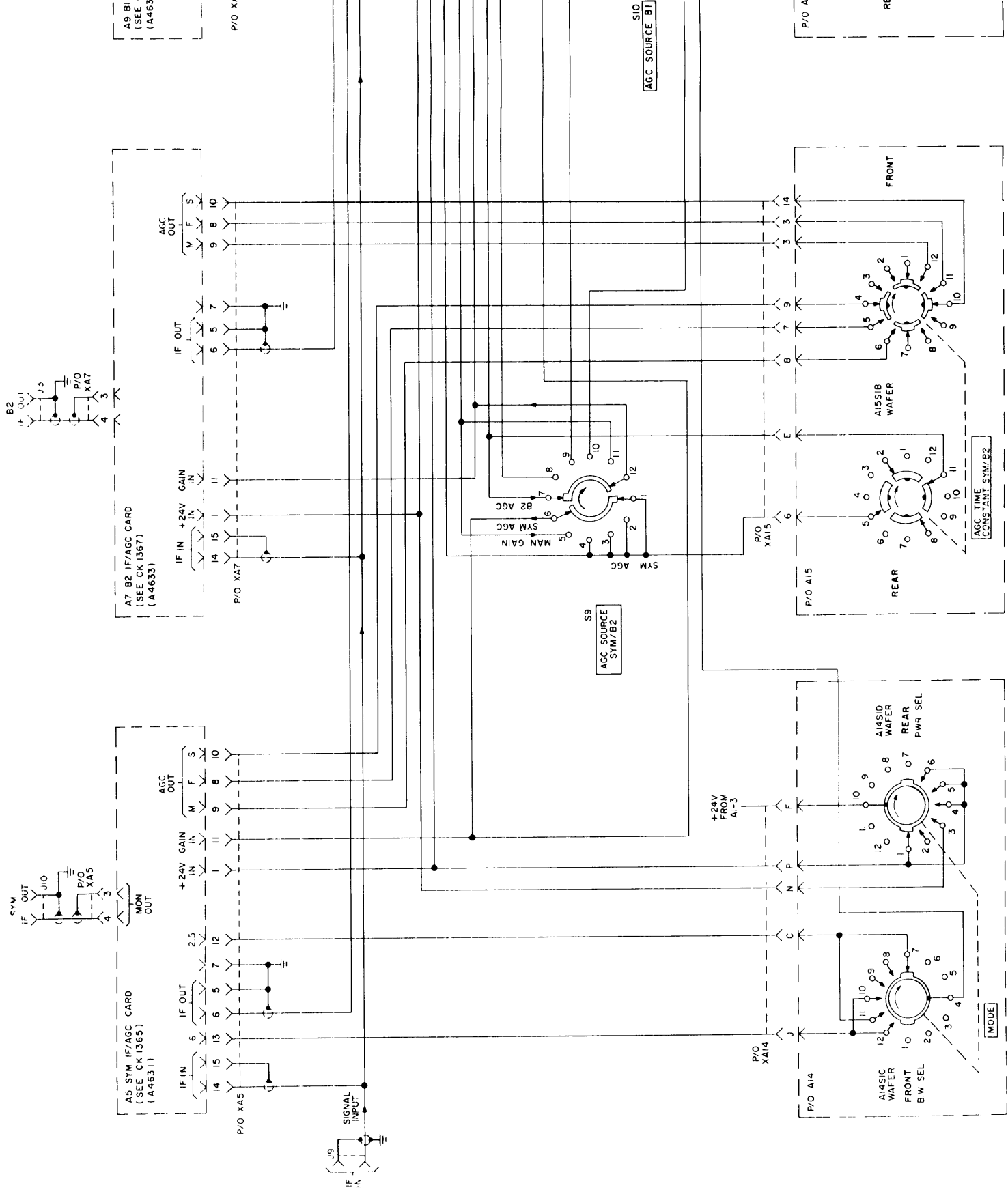
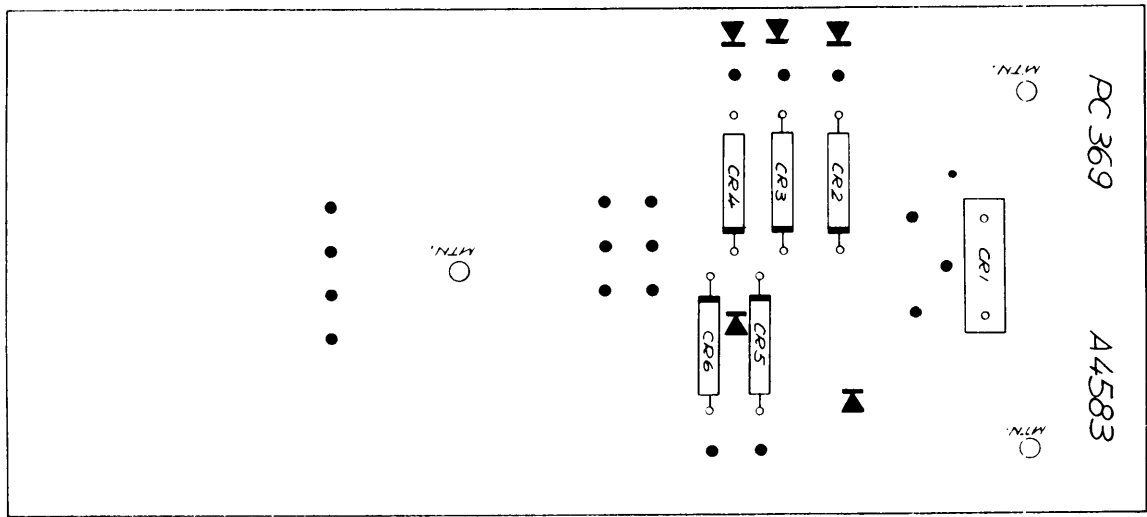
\* POSITION SHOWN IN SCHEMATIC

AGC TIME CONSTANT SWITCH POSITIONS		
POSITION FUNCTION	PANEL MARKING	SW POS
1 *	SLOW	4, 10
2	MEDIUM	6, 12
3	FAST	5, 11

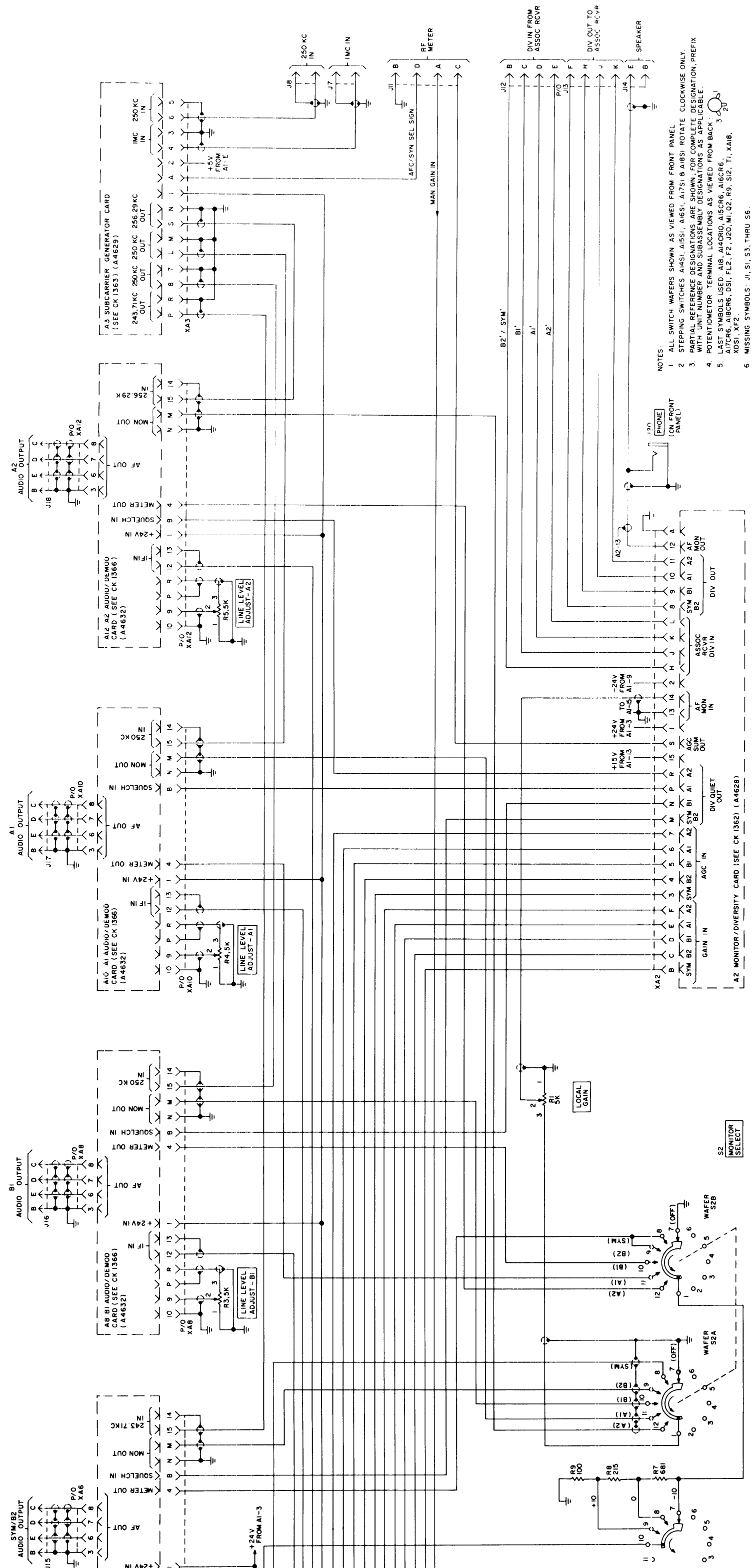
Figure 5-38. Unit 2 (TD-969/FRR), Schematic Diagram (Sheet 2 of 3)

011690392

5-101/5-102



CK 1360



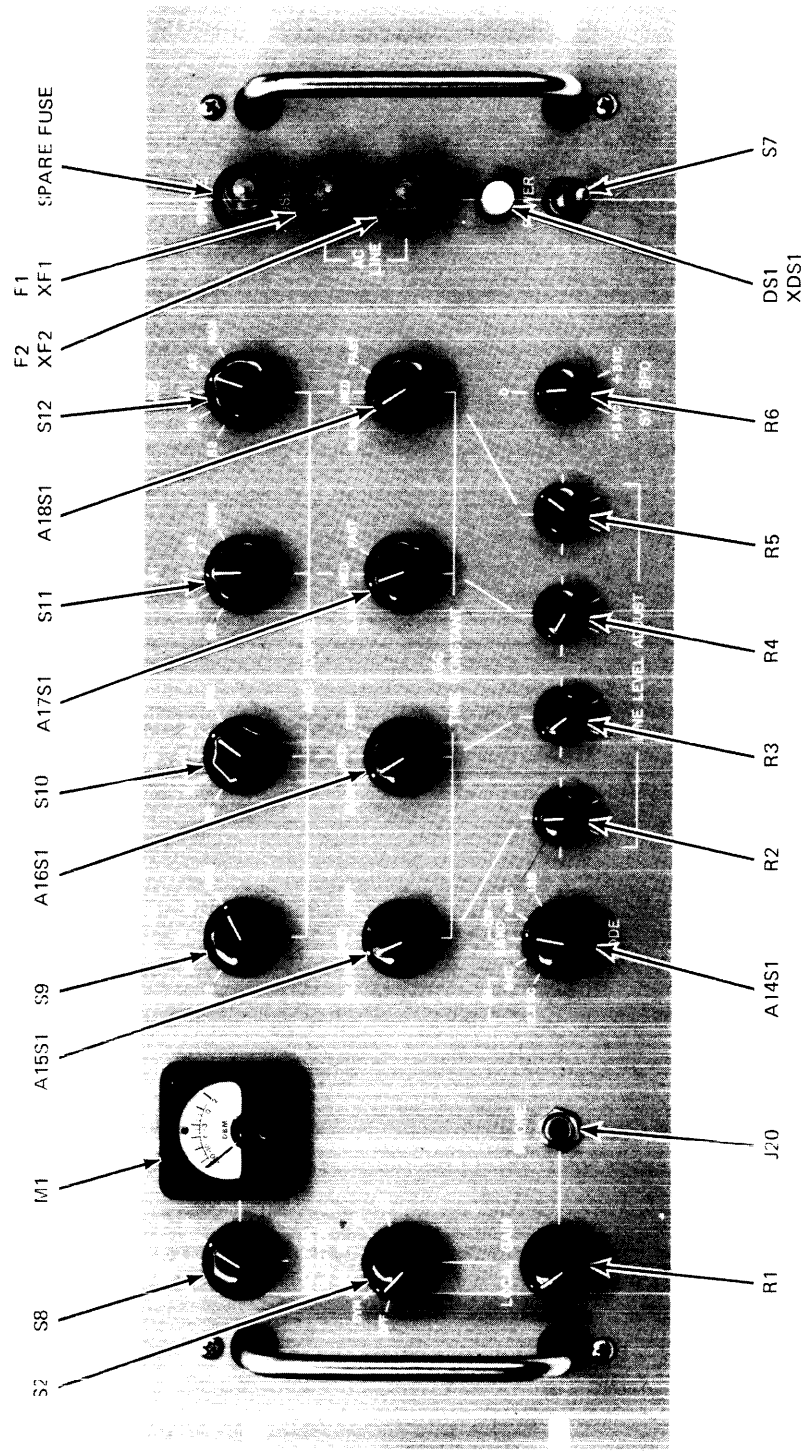
- NOTES:
- 1 ALL SWITCH WAFERS SHOWN AS VIEWED FROM FRONT PANEL
  - 2 STEPPING SWITCHES A1S1, A1S2, A1S3, A1S4, A1S5, A1S6, A1S7, A1S8, A1S9, A1S10, A1S11, A1S12, A1S13, A1S14, A1S15, A1S16, A1S17, A1S18, A1S19, A1S20, A1S21, A1S22, A1S23, A1S24, A1S25, A1S26, A1S27, A1S28, A1S29, A1S30, A1S31, A1S32, A1S33, A1S34, A1S35, A1S36, A1S37, A1S38, A1S39, A1S40, A1S41, A1S42, A1S43, A1S44, A1S45, A1S46, A1S47, A1S48, A1S49, A1S50, A1S51, A1S52, A1S53, A1S54, A1S55, A1S56, A1S57, A1S58, A1S59, A1S60, A1S61, A1S62, A1S63, A1S64, A1S65, A1S66, A1S67, A1S68, A1S69, A1S70, A1S71, A1S72, A1S73, A1S74, A1S75, A1S76, A1S77, A1S78, A1S79, A1S80, A1S81, A1S82, A1S83, A1S84, A1S85, A1S86, A1S87, A1S88, A1S89, A1S90, A1S91, A1S92, A1S93, A1S94, A1S95, A1S96, A1S97, A1S98, A1S99, A1S100, A1S101, A1S102, A1S103, A1S104, A1S105, A1S106, A1S107, A1S108, A1S109, A1S110, A1S111, A1S112, A1S113, A1S114, A1S115, A1S116, A1S117, A1S118, A1S119, A1S120, A1S121, A1S122, A1S123, A1S124, A1S125, A1S126, A1S127, A1S128, A1S129, A1S130, A1S131, A1S132, A1S133, A1S134, A1S135, A1S136, A1S137, A1S138, A1S139, A1S140, A1S141, A1S142, A1S143, A1S144, A1S145, A1S146, A1S147, A1S148, A1S149, A1S150, A1S151, A1S152, A1S153, A1S154, A1S155, A1S156, A1S157, A1S158, A1S159, A1S160, A1S161, A1S162, A1S163, A1S164, A1S165, A1S166, A1S167, A1S168, A1S169, A1S170, A1S171, A1S172, A1S173, A1S174, A1S175, A1S176, A1S177, A1S178, A1S179, A1S180, A1S181, A1S182, A1S183, A1S184, A1S185, A1S186, A1S187, A1S188, A1S189, A1S190, A1S191, A1S192, A1S193, A1S194, A1S195, A1S196, A1S197, A1S198, A1S199, A1S200, A1S201, A1S202, A1S203, A1S204, A1S205, A1S206, A1S207, A1S208, A1S209, A1S210, A1S211, A1S212, A1S213, A1S214, A1S215, A1S216, A1S217, A1S218, A1S219, A1S220, A1S221, A1S222, A1S223, A1S224, A1S225, A1S226, A1S227, A1S228, A1S229, A1S230, A1S231, A1S232, A1S233, A1S234, A1S235, A1S236, A1S237, A1S238, A1S239, A1S240, A1S241, A1S242, A1S243, A1S244, A1S245, A1S246, A1S247, A1S248, A1S249, A1S250, A1S251, A1S252, A1S253, A1S254, A1S255, A1S256, A1S257, A1S258, A1S259, A1S260, A1S261, A1S262, A1S263, A1S264, A1S265, A1S266, A1S267, A1S268, A1S269, A1S270, A1S271, A1S272, A1S273, A1S274, A1S275, A1S276, A1S277, A1S278, A1S279, A1S280, A1S281, A1S282, A1S283, A1S284, A1S285, A1S286, A1S287, A1S288, A1S289, A1S290, A1S291, A1S292, A1S293, A1S294, A1S295, A1S296, A1S297, A1S298, A1S299, A1S300, A1S301, A1S302, A1S303, A1S304, A1S305, A1S306, A1S307, A1S308, A1S309, A1S310, A1S311, A1S312, A1S313, A1S314, A1S315, A1S316, A1S317, A1S318, A1S319, A1S320, A1S321, A1S322, A1S323, A1S324, A1S325, A1S326, A1S327, A1S328, A1S329, A1S330, A1S331, A1S332, A1S333, A1S334, A1S335, A1S336, A1S337, A1S338, A1S339, A1S340, A1S341, A1S342, A1S343, A1S344, A1S345, A1S346, A1S347, A1S348, A1S349, A1S350, A1S351, A1S352, A1S353, A1S354, A1S355, A1S356, A1S357, A1S358, A1S359, A1S360, A1S361, A1S362, A1S363, A1S364, A1S365, A1S366, A1S367, A1S368, A1S369, A1S370, A1S371, A1S372, A1S373, A1S374, A1S375, A1S376, A1S377, A1S378, A1S379, A1S380, A1S381, A1S382, A1S383, A1S384, A1S385, A1S386, A1S387, A1S388, A1S389, A1S390, A1S391, A1S392, A1S393, A1S394, A1S395, A1S396, A1S397, A1S398, A1S399, A1S400, A1S401, A1S402, A1S403, A1S404, A1S405, A1S406, A1S407, A1S408, A1S409, A1S410, A1S411, A1S412, A1S413, A1S414, A1S415, A1S416, A1S417, A1S418, A1S419, A1S420, A1S421, A1S422, A1S423, A1S424, A1S425, A1S426, A1S427, A1S428, A1S429, A1S430, A1S431, A1S432, A1S433, A1S434, A1S435, A1S436, A1S437, A1S438, A1S439, A1S440, A1S441, A1S442, A1S443, A1S444, A1S445, A1S446, A1S447, A1S448, A1S449, A1S450, A1S451, A1S452, A1S453, A1S454, A1S455, A1S456, A1S457, A1S458, A1S459, A1S460, A1S461, A1S462, A1S463, A1S464, A1S465, A1S466, A1S467, A1S468, A1S469, A1S470, A1S471, A1S472, A1S473, A1S474, A1S475, A1S476, A1S477, A1S478, A1S479, A1S480, A1S481, A1S482, A1S483, A1S484, A1S485, A1S486, A1S487, A1S488, A1S489, A1S490, A1S491, A1S492, A1S493, A1S494, A1S495, A1S496, A1S497, A1S498, A1S499, A1S500, A1S501, A1S502, A1S503, A1S504, A1S505, A1S506, A1S507, A1S508, A1S509, A1S510, A1S511, A1S512, A1S513, A1S514, A1S515, A1S516, A1S517, A1S518, A1S519, A1S520, A1S521, A1S522, A1S523, A1S524, A1S525, A1S526, A1S527, A1S528, A1S529, A1S530, A1S531, A1S532, A1S533, A1S534, A1S535, A1S536, A1S537, A1S538, A1S539, A1S540, A1S541, A1S542, A1S543, A1S544, A1S545, A1S546, A1S547, A1S548, A1S549, A1S550, A1S551, A1S552, A1S553, A1S554, A1S555, A1S556, A1S557, A1S558, A1S559, A1S560, A1S561, A1S562, A1S563, A1S564, A1S565, A1S566, A1S567, A1S568, A1S569, A1S570, A1S571, A1S572, A1S573, A1S574, A1S575, A1S576, A1S577, A1S578, A1S579, A1S580, A1S581, A1S582, A1S583, A1S584, A1S585, A1S586, A1S587, A1S588, A1S589, A1S590, A1S591, A1S592, A1S593, A1S594, A1S595, A1S596, A1S597, A1S598, A1S599, A1S600, A1S601, A1S602, A1S603, A1S604, A1S605, A1S606, A1S607, A1S608, A1S609, A1S610, A1S611, A1S612, A1S613, A1S614, A1S615, A1S616, A1S617, A1S618, A1S619, A1S620, A1S621, A1S622, A1S623, A1S624, A1S625, A1S626, A1S627, A1S628, A1S629, A1S630, A1S631, A1S632, A1S633, A1S634, A1S635, A1S636, A1S637, A1S638, A1S639, A1S640, A1S641, A1S642, A1S643, A1S644, A1S645, A1S646, A1S647, A1S648, A1S649, A1S650, A1S651, A1S652, A1S653, A1S654, A1S655, A1S656, A1S657, A1S658, A1S659, A1S660, A1S661, A1S662, A1S663, A1S664, A1S665, A1S666, A1S667, A1S668, A1S669, A1S670, A1S671, A1S672, A1S673, A1S674, A1S675, A1S676, A1S677, A1S678, A1S679, A1S680, A1S681, A1S682, A1S683, A1S684, A1S685, A1S686, A1S687, A1S688, A1S689, A1S690, A1S691, A1S692, A1S693, A1S694, A1S695, A1S696, A1S697, A1S698, A1S699, A1S700, A1S701, A1S702, A1S703, A1S704, A1S705, A1S706, A1S707, A1S708, A1S709, A1S710, A1S711, A1S712, A1S713, A1S714, A1S715, A1S716, A1S717, A1S718, A1S719, A1S720, A1S721, A1S722, A1S723, A1S724, A1S725, A1S726, A1S727, A1S728, A1S729, A1S730, A1S731, A1S732, A1S733, A1S734, A1S735, A1S736, A1S737, A1S738, A1S739, A1S740, A1S741, A1S742, A1S743, A1S744, A1S745, A1S746, A1S747, A1S748, A1S749, A1S750, A1S751, A1S752, A1S753, A1S754, A1S755, A1S756, A1S757, A1S758, A1S759, A1S760, A1S761, A1S762, A1S763, A1S764, A1S765, A1S766, A1S767, A1S768, A1S769, A1S770, A1S771, A1S772, A1S773, A1S774, A1S775, A1S776, A1S777, A1S778, A1S779, A1S780, A1S781, A1S782, A1S783, A1S784, A1S785, A1S786, A1S787, A1S788, A1S789, A1S790, A1S791, A1S792, A1S793, A1S794, A1S795, A1S796, A1S797, A1S798, A1S799, A1S800, A1S801, A1S802, A1S803, A1S804, A1S805, A1S806, A1S807, A1S808, A1S809, A1S810, A1S811, A1S812, A1S813, A1S814, A1S815, A1S816, A1S817, A1S818, A1S819, A1S820, A1S821, A1S822, A1S823, A1S824, A1S825, A1S826, A1S827, A1S828, A1S829, A1S830, A1S831, A1S832, A1S833, A1S834, A1S835, A1S836, A1S837, A1S838, A1S839, A1S840, A1S841, A1S842, A1S843, A1S844, A1S845, A1S846, A1S847, A1S848, A1S849, A1S850, A1S851, A1S852, A1S853, A1S854, A1S855, A1S856, A1S857, A1S858, A1S859, A1S860, A1S861, A1S862, A1S863, A1S864, A1S865, A1S866, A1S867, A1S868, A1S869, A1S870, A1S871, A1S872, A1S873, A1S874, A1S875, A1S876, A1S877, A1S878, A1S879, A1S880, A1S881, A1S882, A1S883, A1S884, A1S885, A1S886, A1S887, A1S888, A1S889, A1S890, A1S891, A1S892, A1S893, A1S894, A1S895, A1S896, A1S897, A1S898, A1S899, A1S900, A1S901, A1S902, A1S903, A1S904, A1S905, A1S906, A1S907, A1S908, A1S909, A1S910, A1S911, A1S912, A1S913, A1S914, A1S915, A1S916, A1S917, A1S918, A1S919, A1S920, A1S921, A1S922, A1S923, A1S924, A1S925, A1S926, A1S927, A1S928, A1S929, A1S930, A1S931, A1S932, A1S933, A1S934, A1S935, A1S936, A1S937, A1S938, A1S939, A1S940, A1S941, A1S942, A1S943, A1S944, A1S945, A1S946, A1S947, A1S948, A1S949, A1S950, A1S951, A1S952, A1S953, A1S954, A1S955, A1S956, A1S957, A1S958, A1S959, A1S960, A1S961, A1S962, A1S963, A1S964, A1S965, A1S966, A1S967, A1S968, A1S969, A1S970, A1S971, A1S972, A1S973, A1S974, A1S975, A1S976, A1S977, A1S978, A1S979, A1S980, A1S981, A1S982, A1S983, A1S984, A1S985, A1S986, A1S987, A1S988, A1S989, A1S990, A1S991, A1S992, A1S993, A1S994, A1S995, A1S996, A1S997, A1S998, A1S999, A1S1000.

Figure 5-38. Unit 2 (TD-969/FRR), Schematic Diagram (Sheet 3 of 3)

011690392

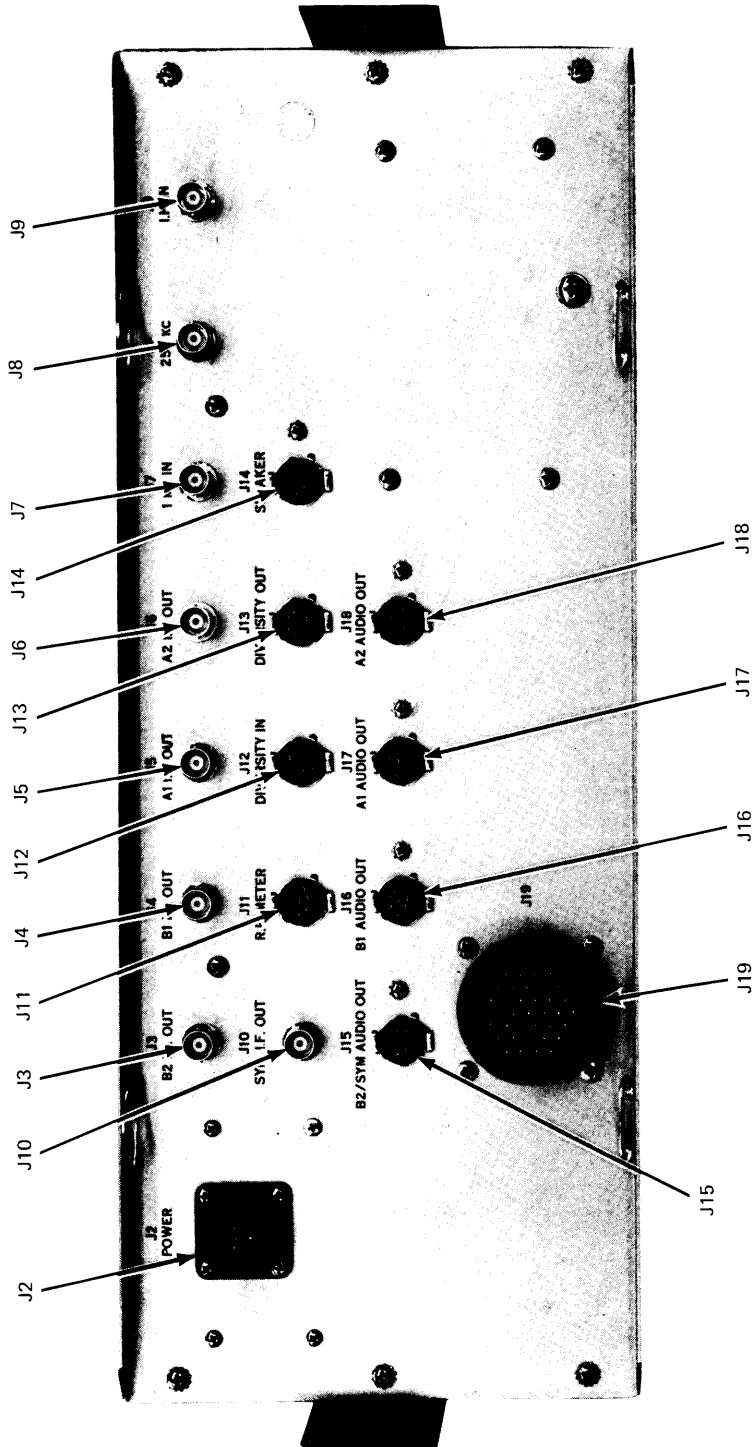
5-103/5-104





REF DESIG PREFIX 2  
 REF DESIG PREFIX 2, 6

Figure 5-39. Unit 2 (TD-969/FRR), Front Panel, Major Component Locations Diagram



REF DESIG PREFIX 2  
 REF DESIG PREFIX 2, 6

Figure 5-40. Unit 2 (TD-969/FRR), Rear Panel, Major Component Locations Diagram

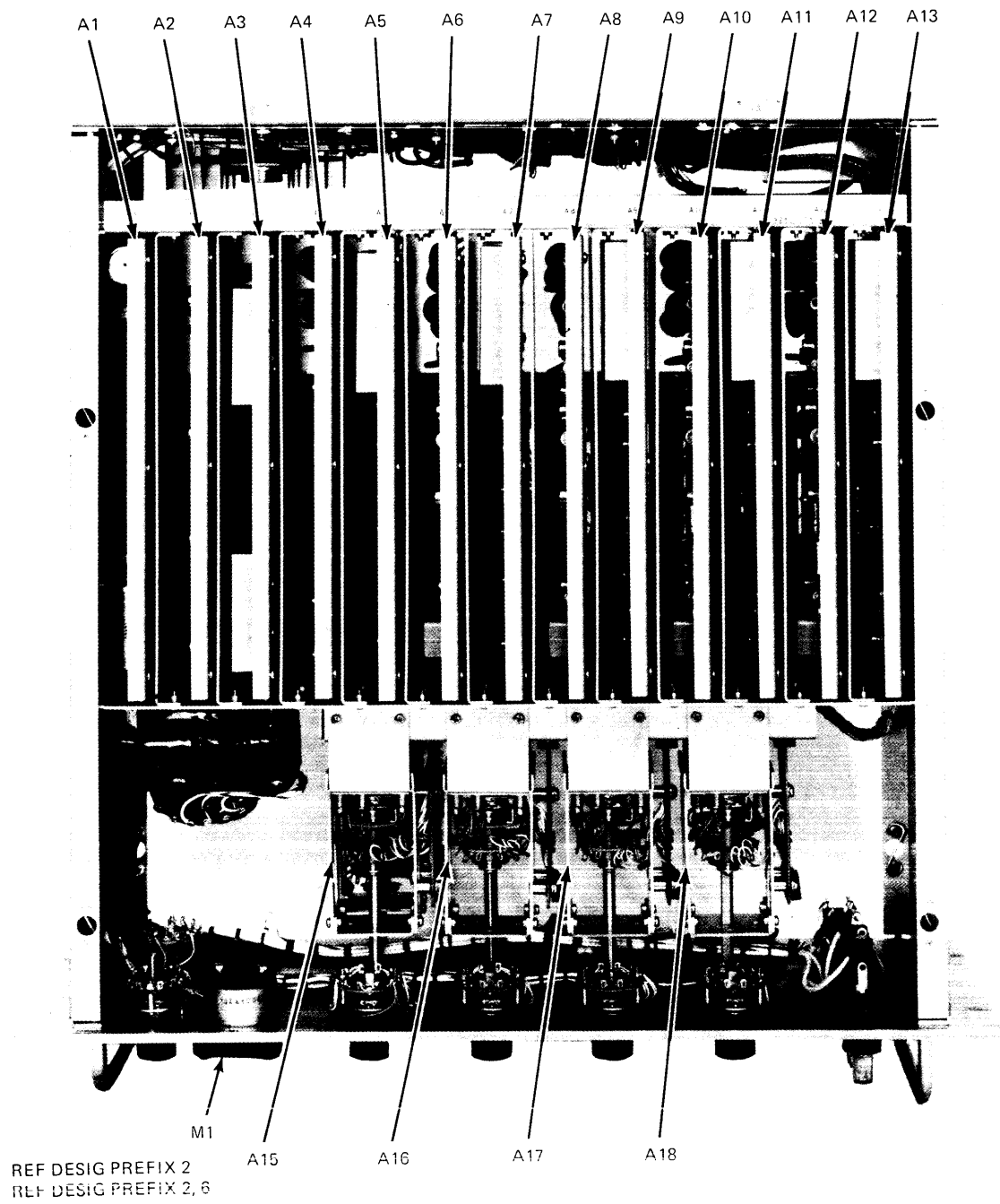
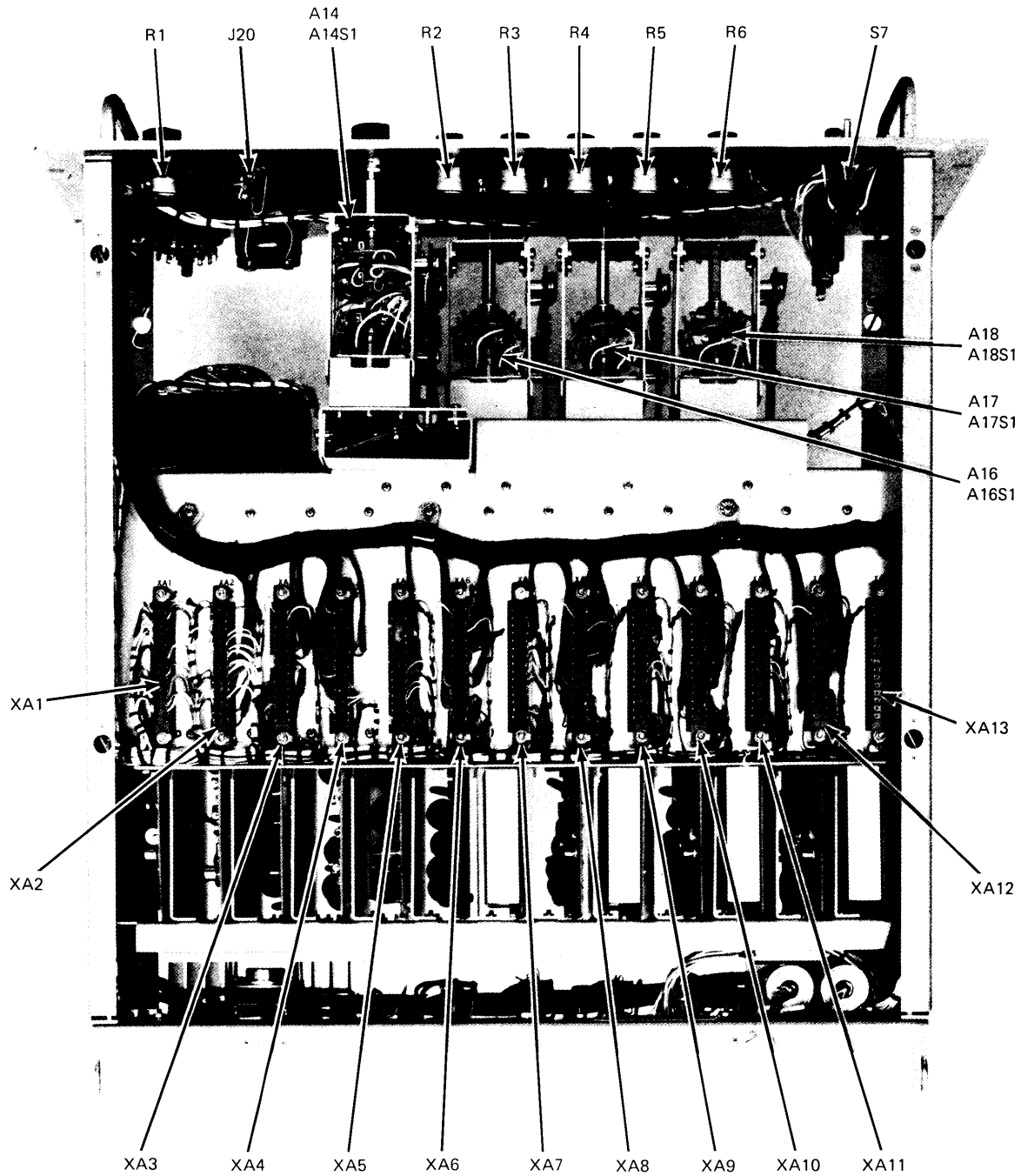


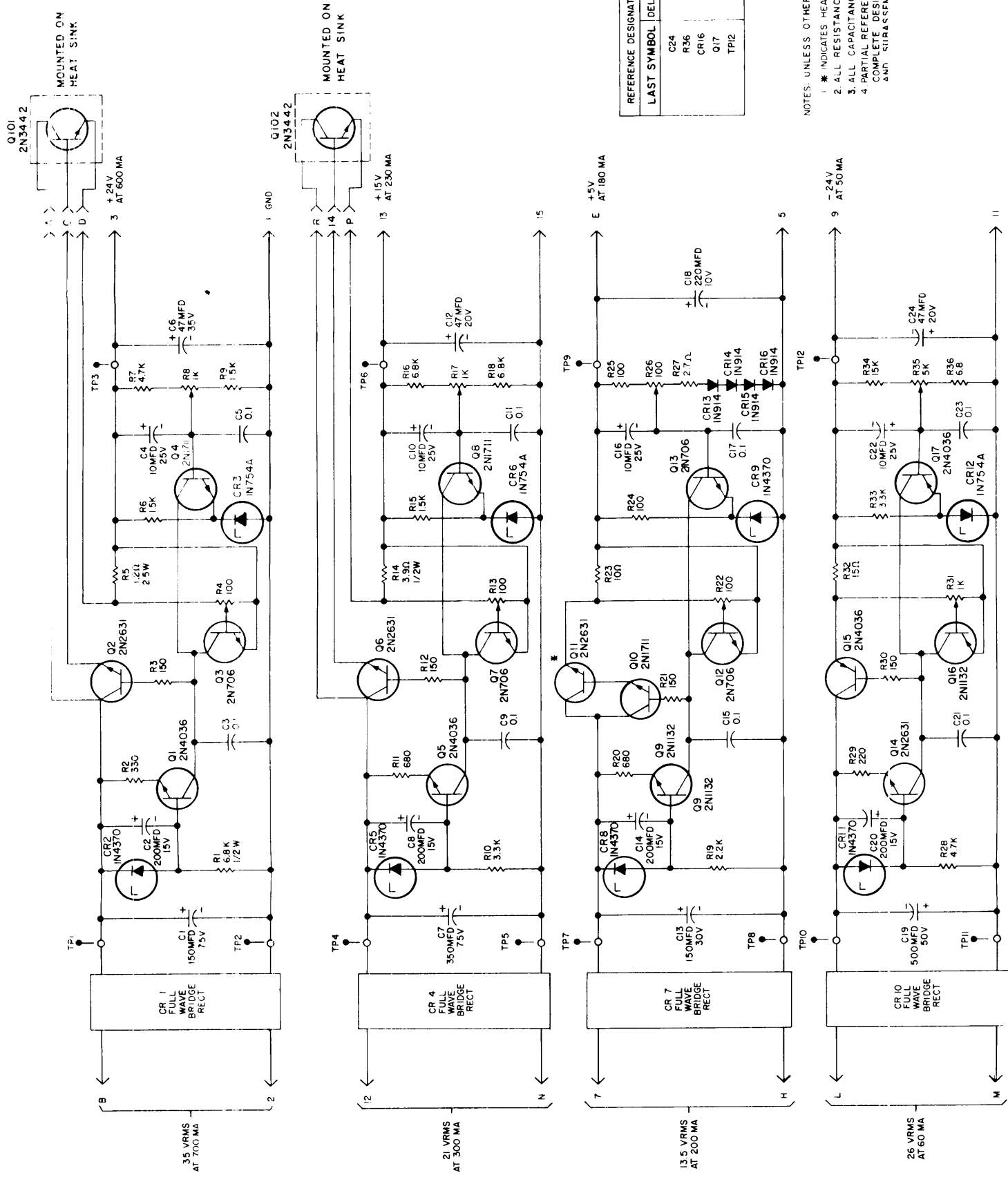
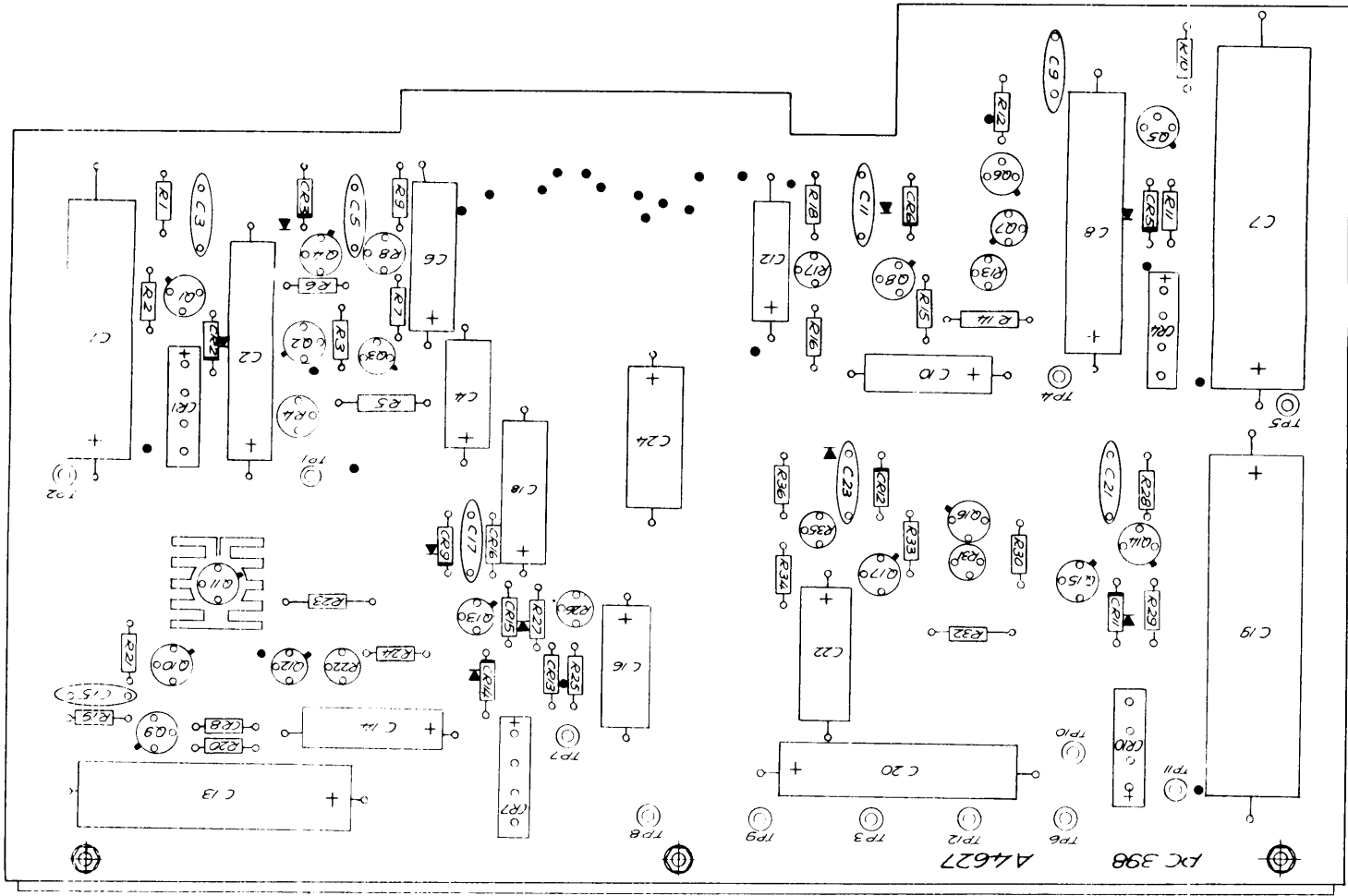
Figure 5-41. Unit 2 (TD-969/FRR), Top View, Major Component Locations Diagram  
011690392



REF DESIG PREFIX 2  
 REF DESIG PREFIX 2, 6

Figure 5-42. Unit 2 (TD-969/FRR), Bottom View, Major Component Locations Diagram





REFERENCE DESIGNATION	LAST SYMBOL DELETED
C24	
R36	
CR16	
Q17	
TP12	

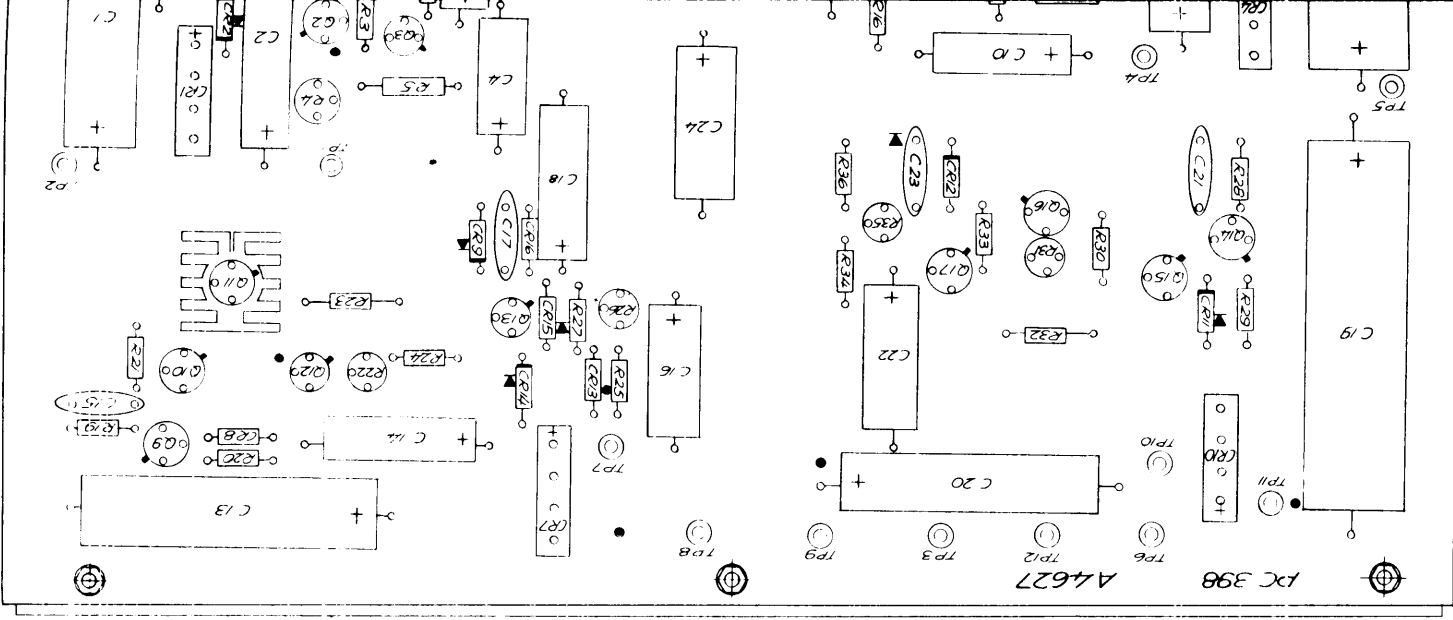
- NOTES: UNLESS OTHERWISE SPECIFIED
- \* INDICATES HEAT RADIATOR.
  - ALL RESISTANCE VALUES ARE IN OHM, 1/4 WATT.
  - ALL CAPACITANCE VALUES ARE IN MICROFARADS.
  - PARTIAL REFERENCE DESIGNATIONS SHOWN FOR COMPLETE DESIGNATION PREFIX WITH UNIT NUMBER AND ASSEMBLY DESIGNATION AS APPLICABLE.

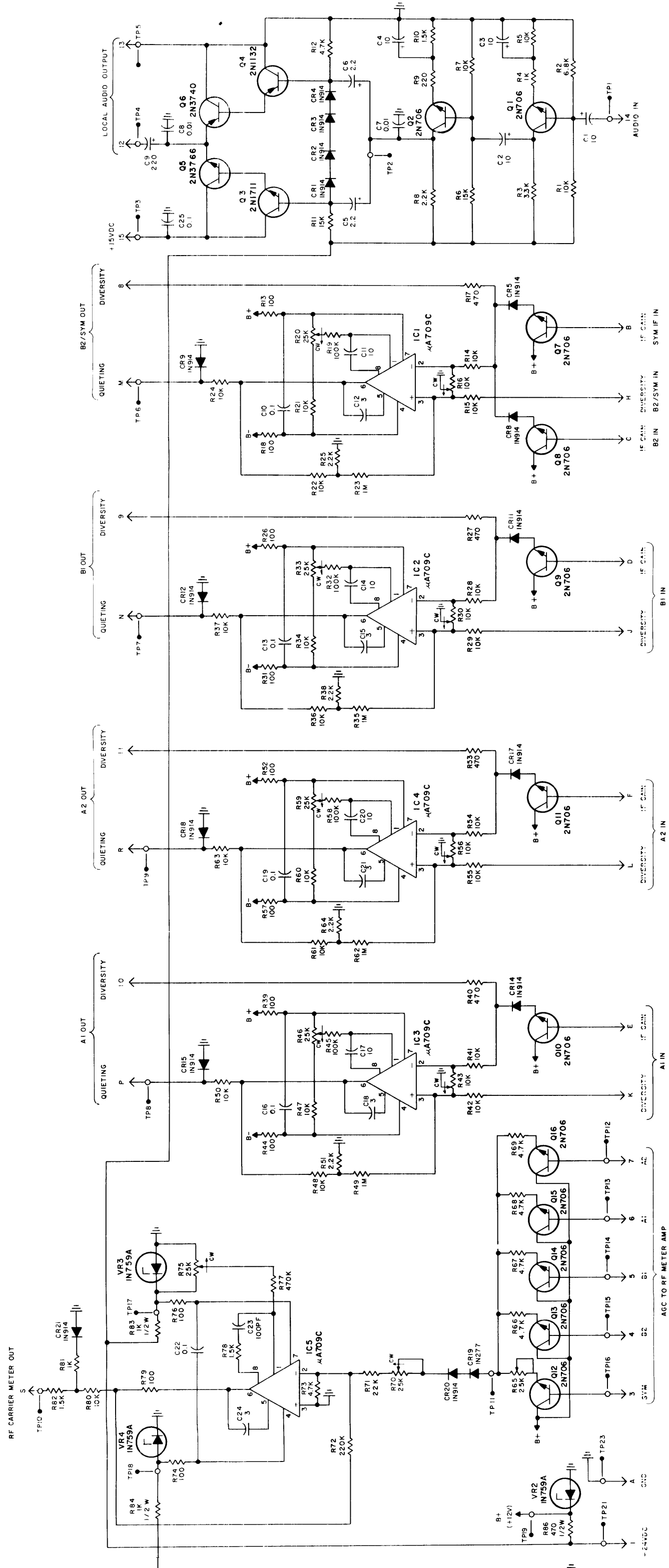
CK 1361

Figure 5-43/5-44. Power Supply 2A1, Schematic/Component Locations Diagram

011690392

5-109/5-110





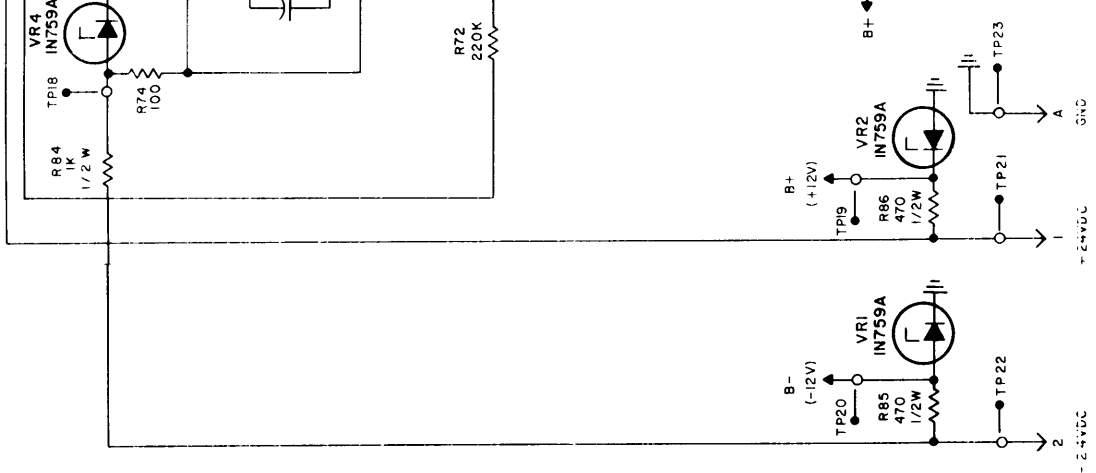
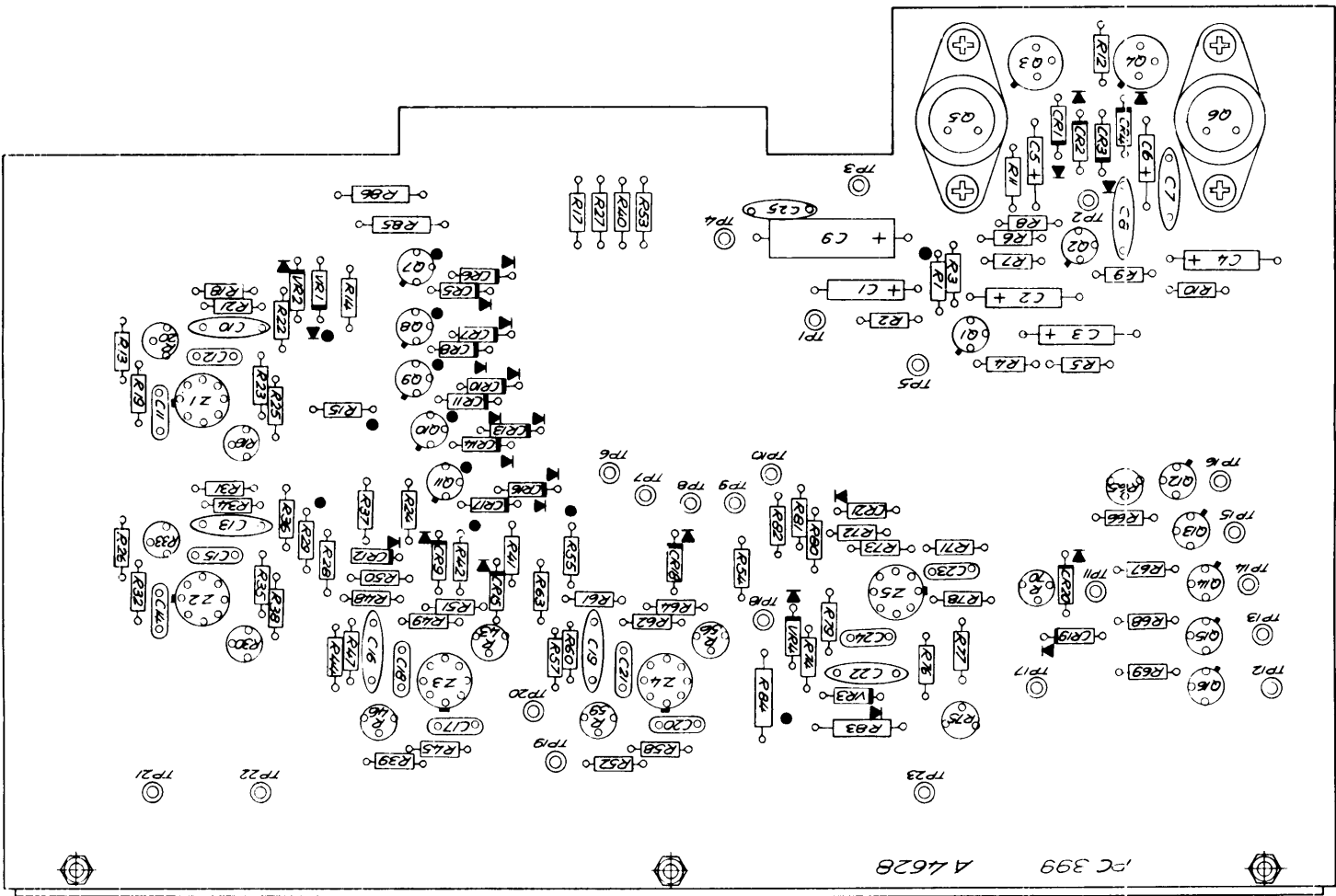
NOTE: UNLESS OTHERWISE SPECIFIED

1. ALL RESISTANCE VALUES ARE IN OHMS, 1/4 WATT.
2. ALL CAPACITANCE VALUES ARE IN MICROFARADS.
3. PARTIAL REFERENCE DESIGNATIONS SHOWN FOR COMPLETE DESIGNATION. PREFIX WITH UNIT NUMBER AND SUBASSEMBLY DESIGNATION(S) AS APPLICABLE.

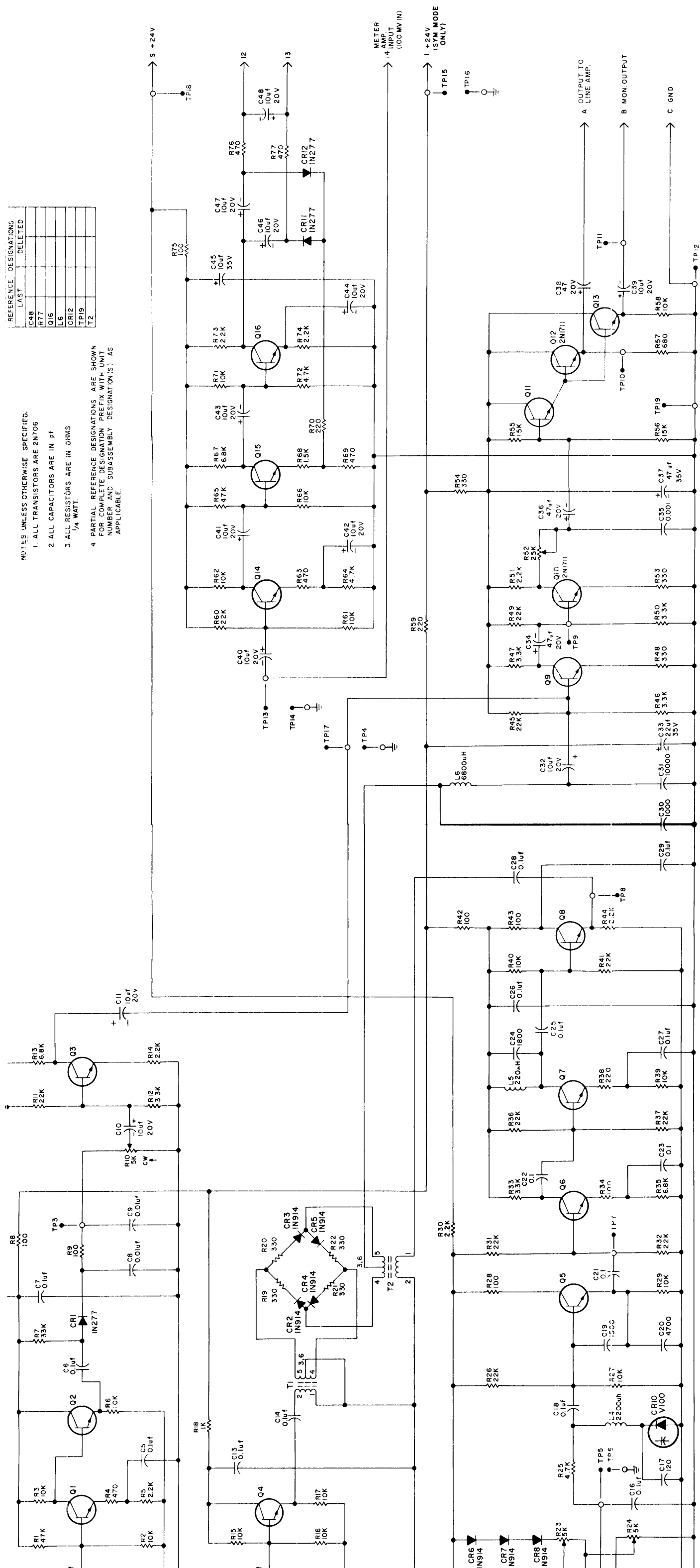
LAST SYMBOL	MISSING SYMBOL
C25	CR 6, 7, 10, 13
IC1	Q 8 CR 16
Q16	Q 8
R86	Q 8
TP23	TP 23
VR4	VR 4

CK 1362

Figure 5-45/5-46. Monitor/Diversity 2A2, Schematic/Component Locations Diagram  
011690392 5-111/5-112



CK 11

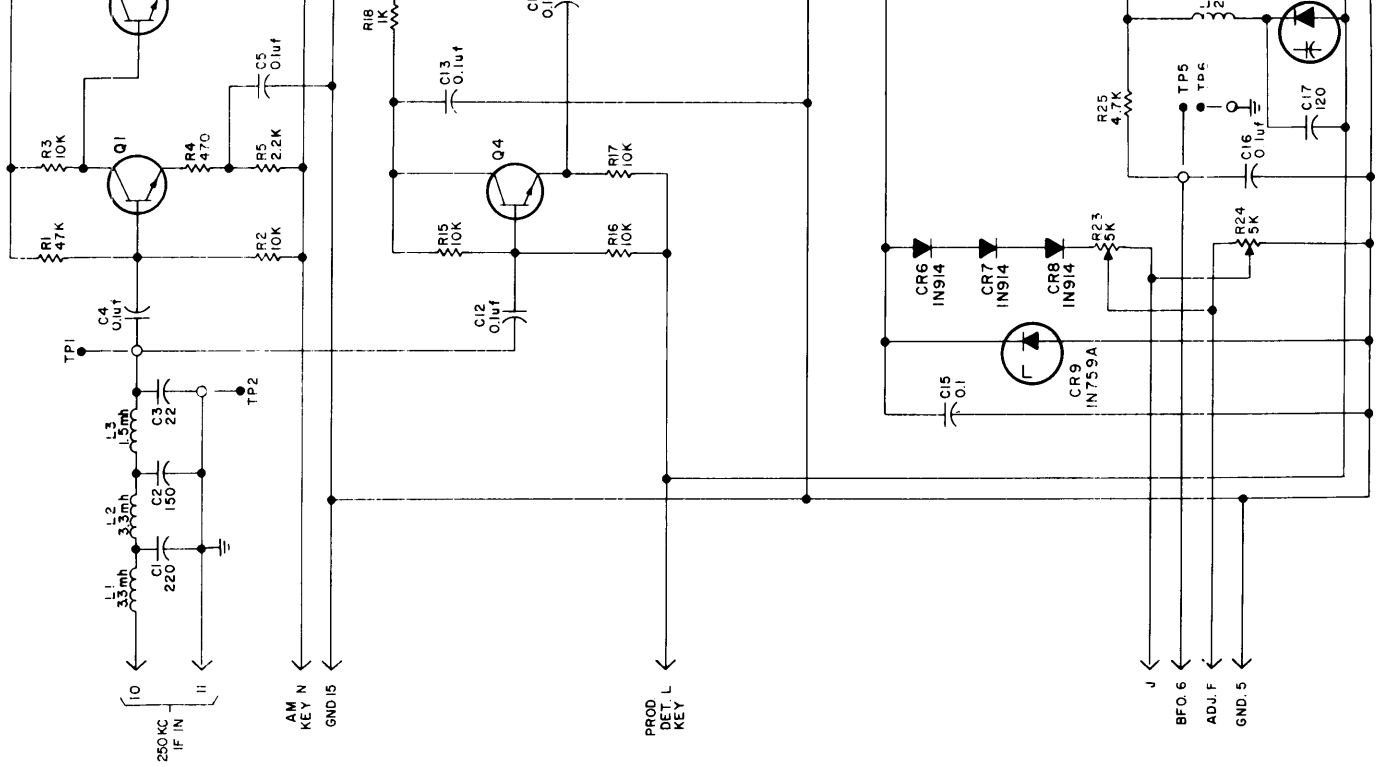
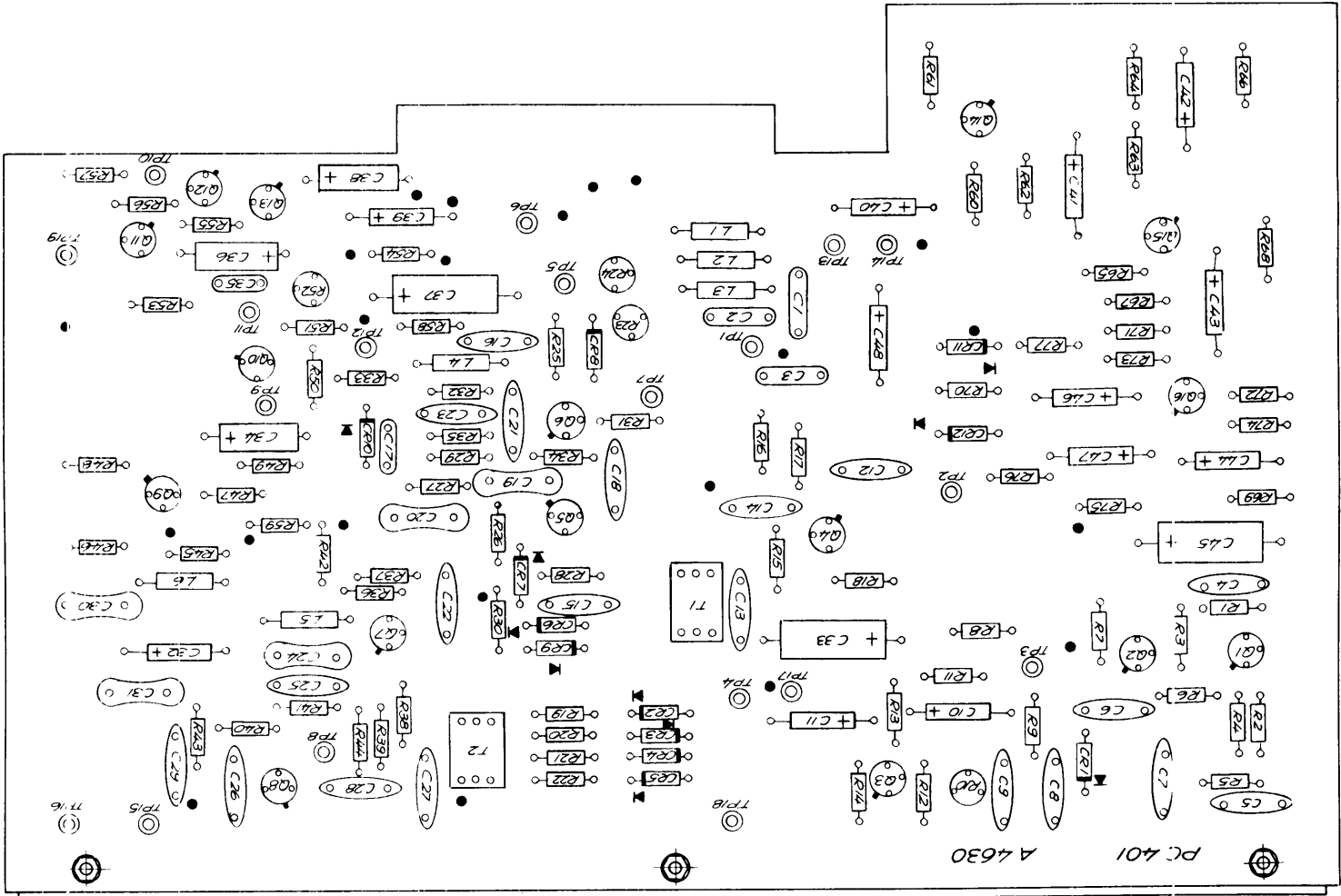


REFERENCE DESIGNATIONS

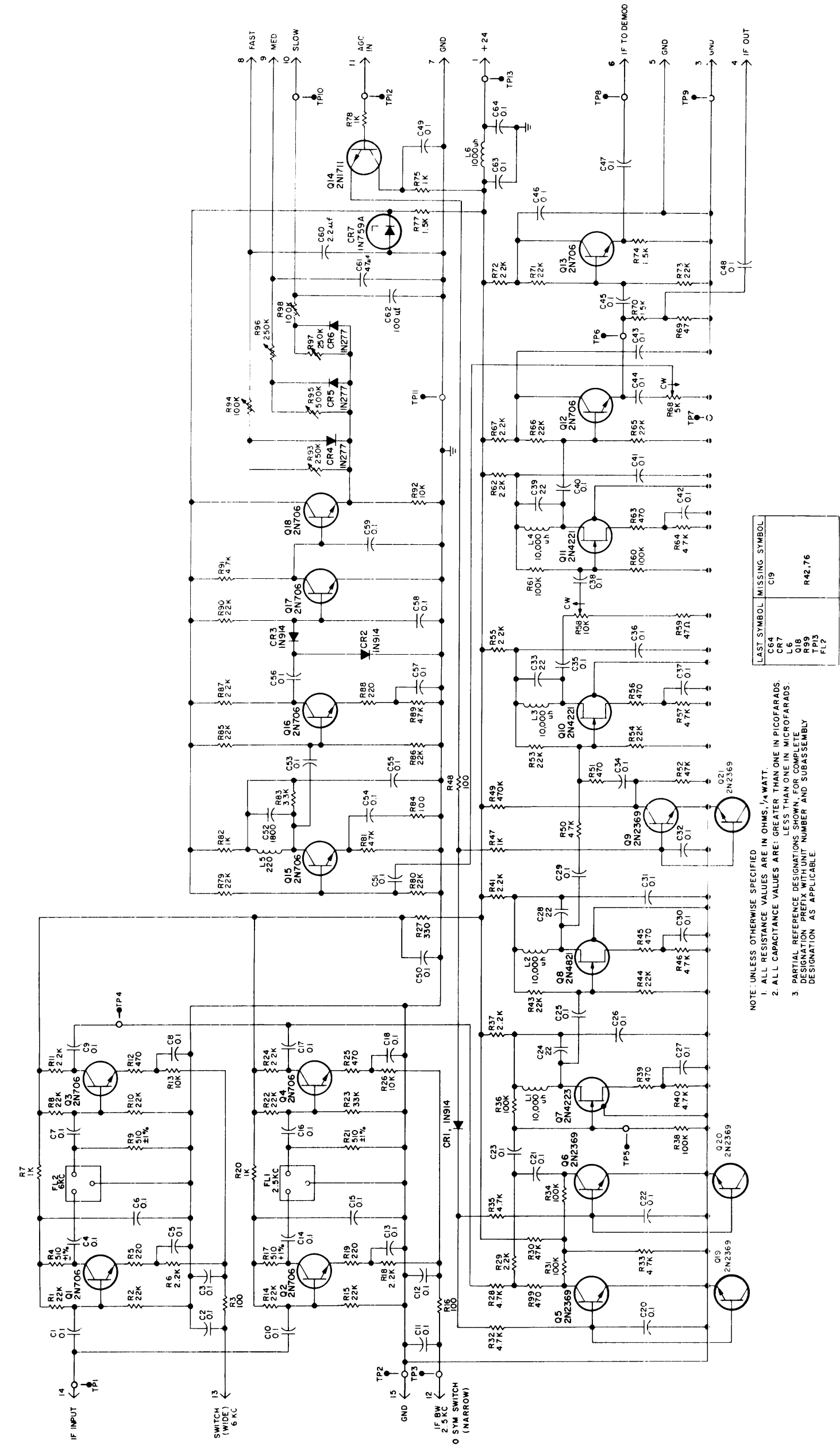
LAST	DELETED
C48	
R77	
Q16	
L6	
CR12	
TP19	
T2	

- NOTES UNLESS OTHERWISE SPECIFIED.
1. ALL TRANSISTORS ARE 2N706
  2. ALL CAPACITORS ARE IN  $\mu\text{f}$
  3. ALL RESISTORS ARE IN OHMS  $\frac{1}{4}$  WATT.
  4. PARTIAL REFERENCE DESIGNATIONS ARE SHOWN FOR COMPLETE DESIGNATION PREFIX WITH UNIT NUMBER AND SUBASSEMBLY DESIGNATION(S) AS APPLICABLE.

Figure 5-47/5-48. Subcarrier Generator 2A3, Schematic/Component Locations Diagram  
011690392



CK 1364

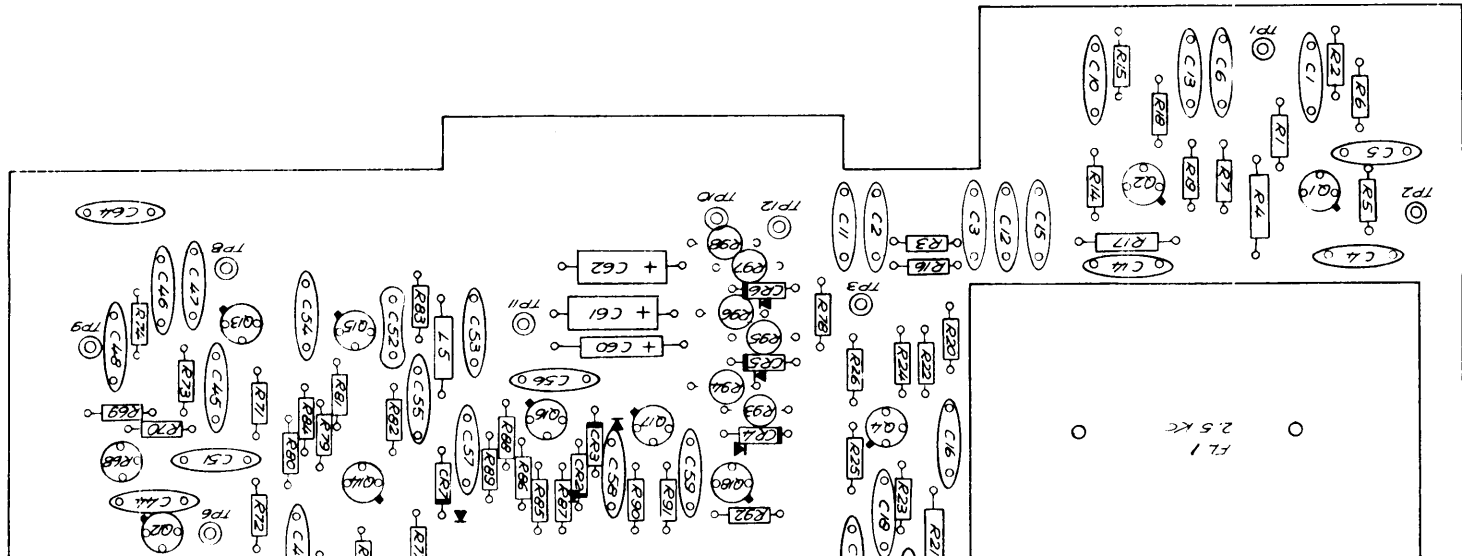


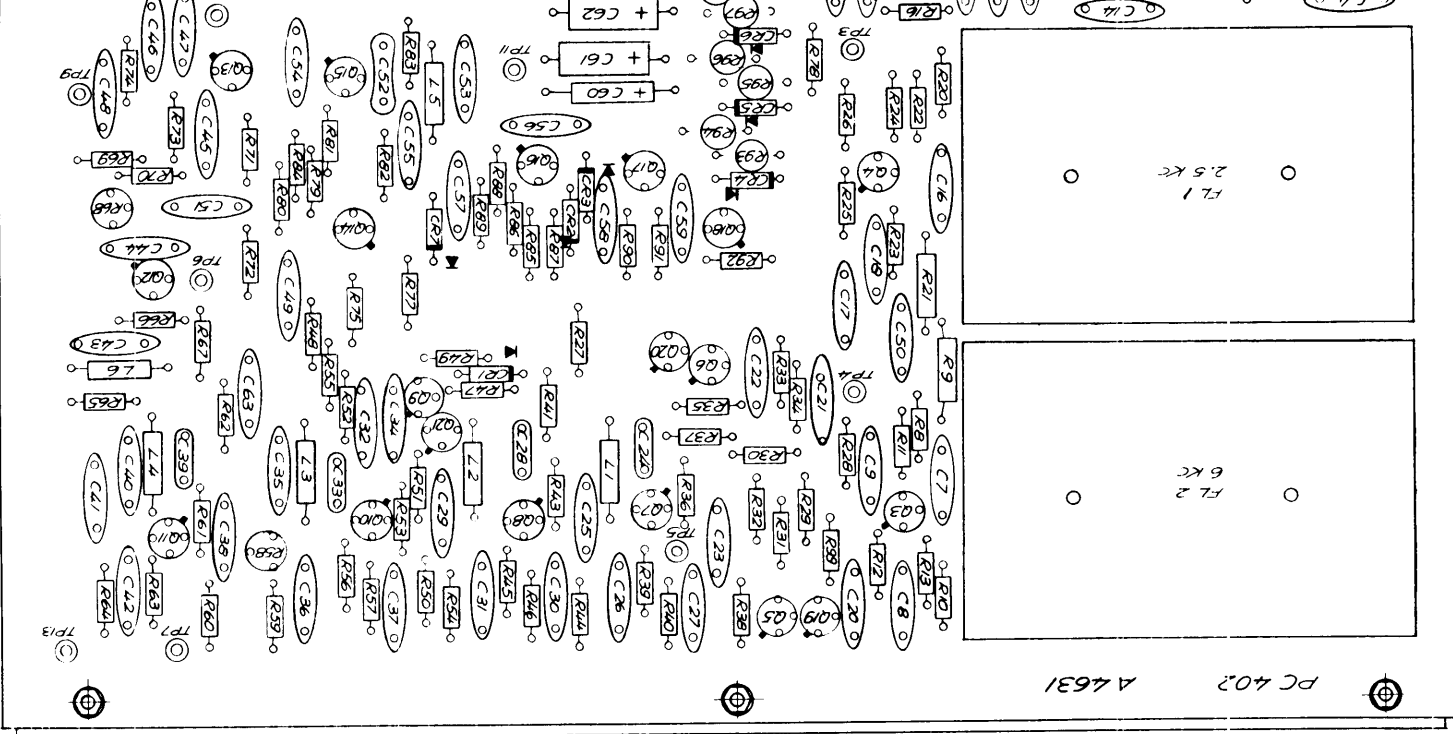
LAST SYMBOL	MISSING SYMBOL
C64	C19
C67	
L6	
O18	
R99	R42.76
TP13	
FL7	

NOTE: UNLESS OTHERWISE SPECIFIED  
 1. ALL RESISTANCE VALUES ARE IN OHMS; 1/4 WATT.  
 2. ALL CAPACITANCE VALUES ARE: GREATER THAN ONE IN PICOFARADS, LESS THAN ONE IN MICROFARADS.  
 3. PARTIAL REFERENCE DESIGNATIONS SHOWN FOR COMPLETE DESIGNATION PREFIX WITH UNIT NUMBER AND SUBASSEMBLY DESIGNATION AS APPLICABLE.

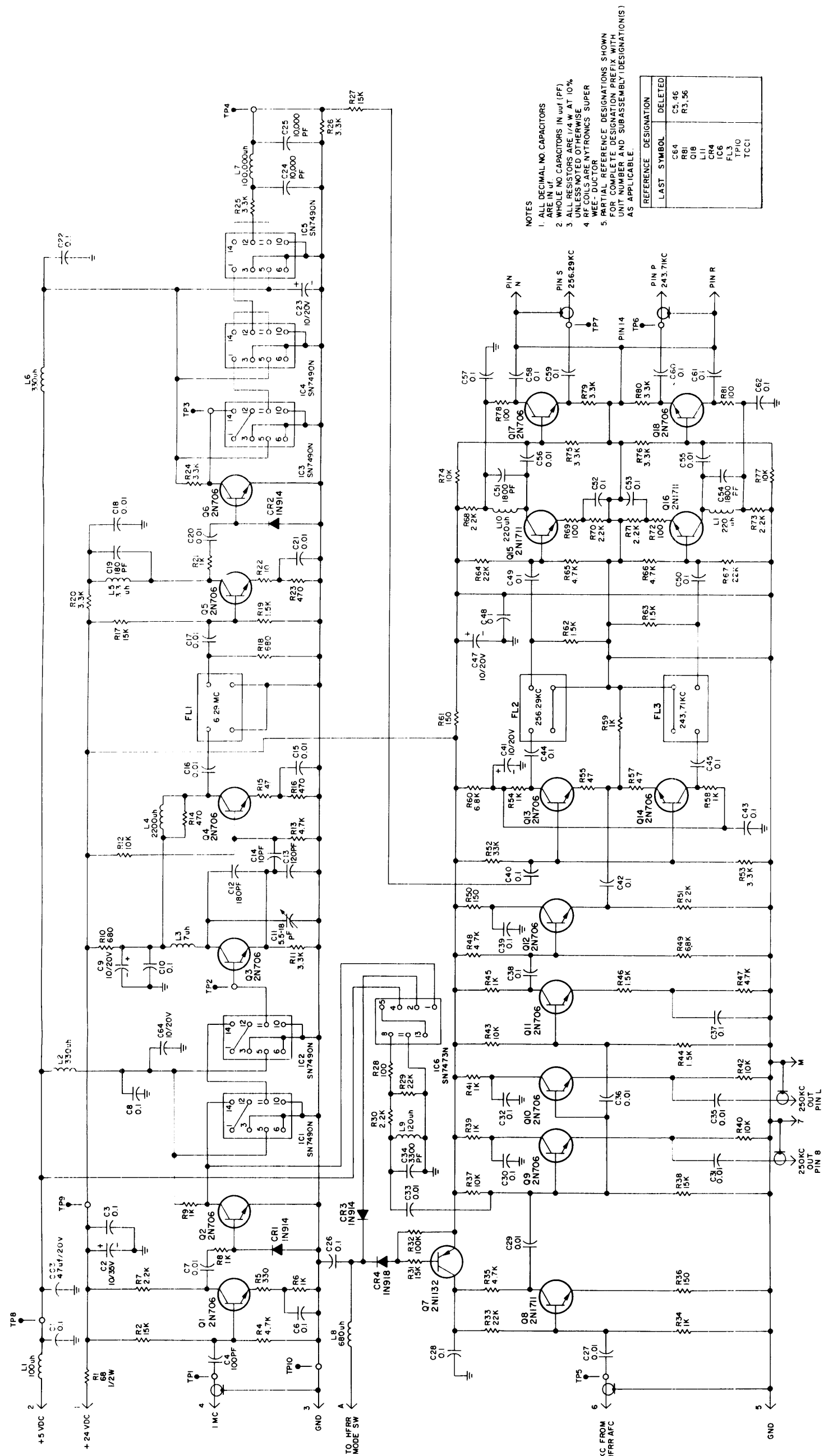
CK 1365

Figure 5-49/5-50. Symmetrical Demodulator 2A4, Schematic/Component Locations Diagram  
 5-115/5-116  
 011690392







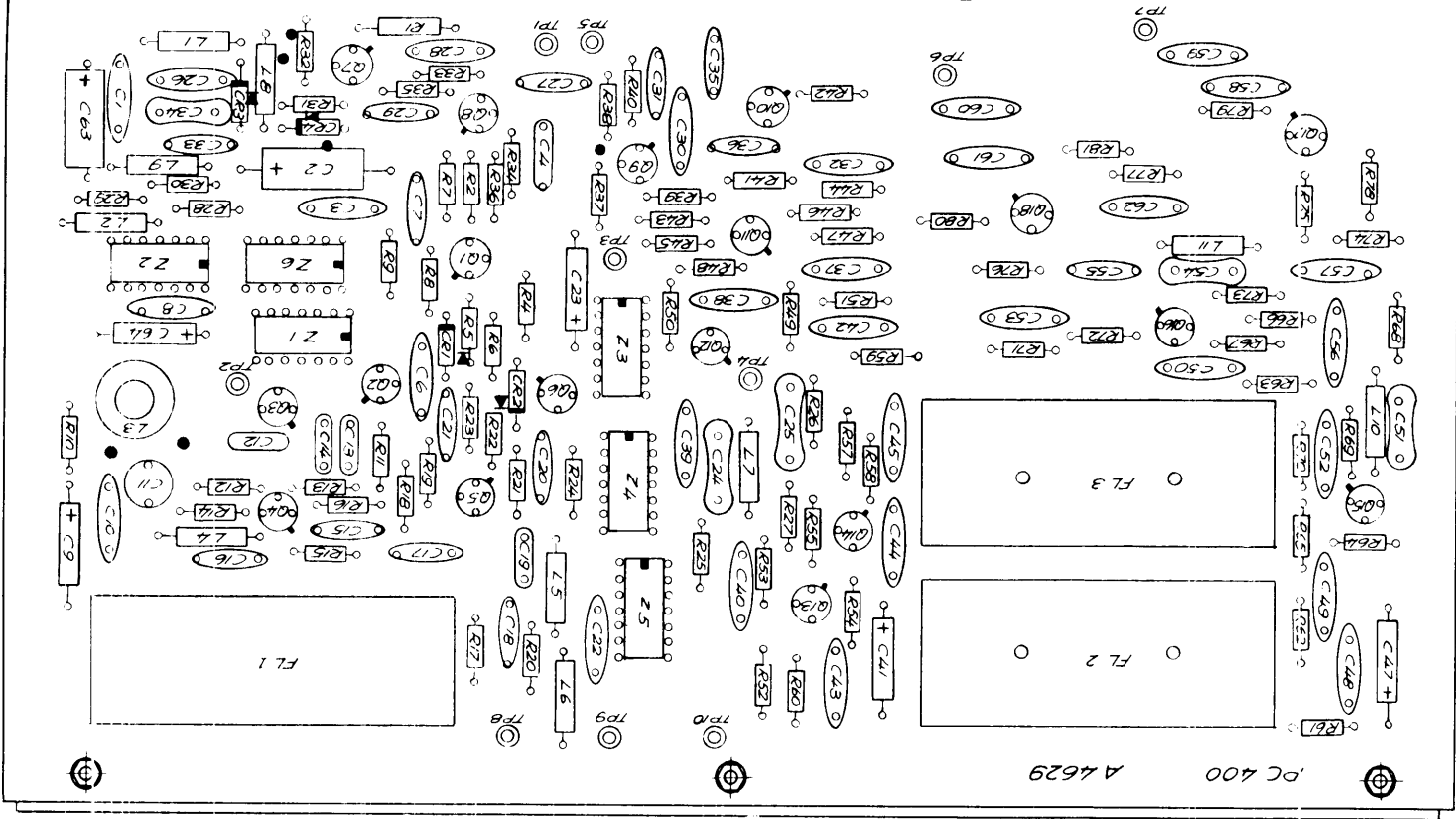


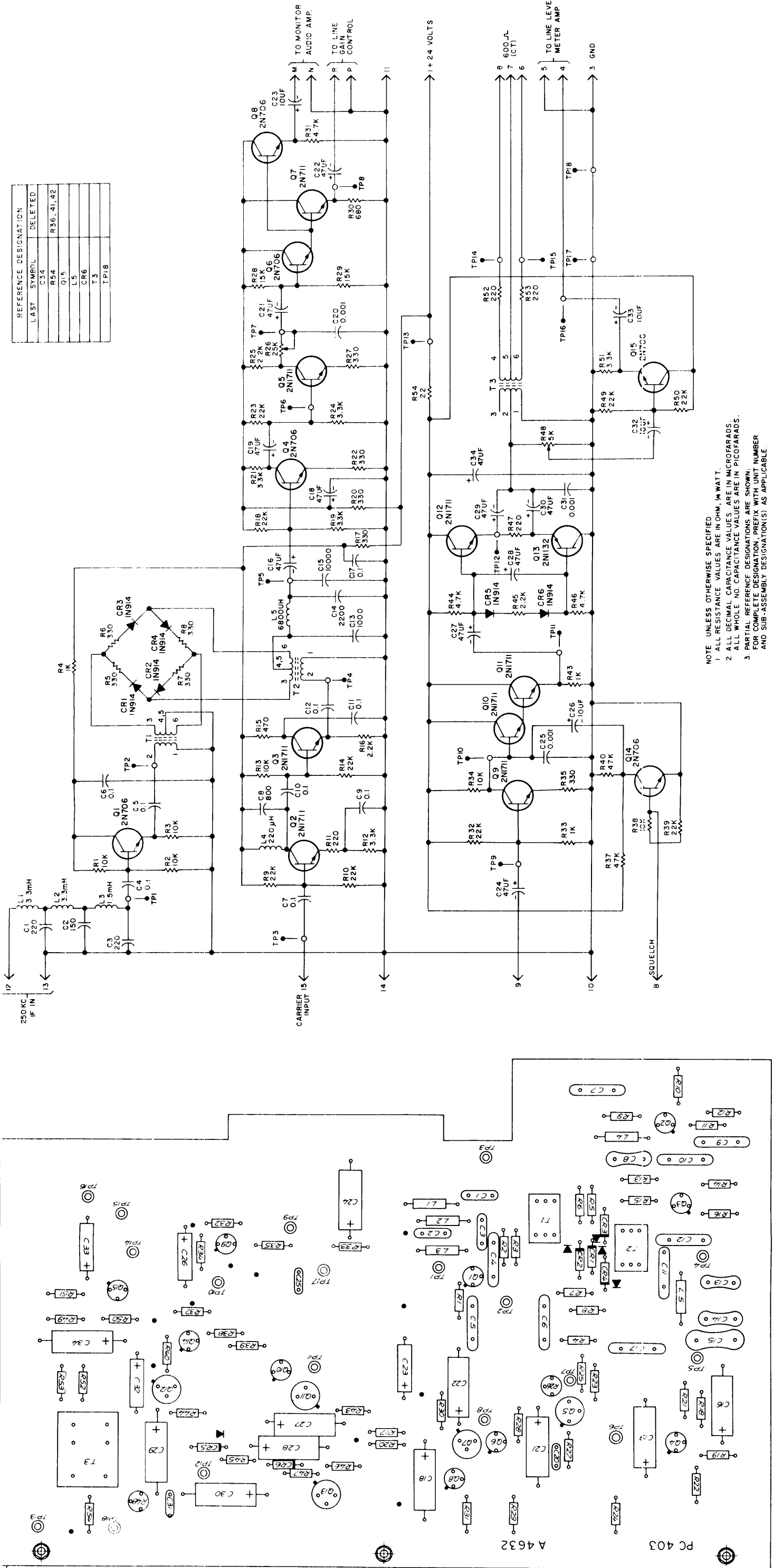
CK 1363

- NOTES
1. ALL DECIMAL NO. CAPACITORS ARE IN  $\mu\text{F}$ .
  2. WHOLE NO. CAPACITORS IN  $\mu\text{F}$  (PF).
  3. ALL RESISTORS ARE 1/4 W. AT 10% UNLESS NOTED OTHERWISE.
  4. RF COILS ARE NYTRONICS SUPER WEE-DUCTOR.
  5. PARTIAL REFERENCE DESIGNATIONS SHOWN FOR COMPLETE DESIGNATION PREFIX WITH UNIT NUMBER AND SUBASSEMBLY DESIGNATION(S) AS APPLICABLE.

REFERENCE DESIGNATION	LAST SYMBOL	DELETED
C64	C5,46	
R81	R3,56	
Q18		
L11		
CR4		
IC6		
FL3		
TP10		
TCC1		

Figure 5-51/5-52. Symmetrical IF/AGC 2A5, Schematic/Component Locations Diagram  
011690392





REFERENCE DESIGNATION	
LAST SYMBOL	DELETED
C34	
R54	R36, 41, 42
Q15	
L5	
CR6	
T3	
TP18	

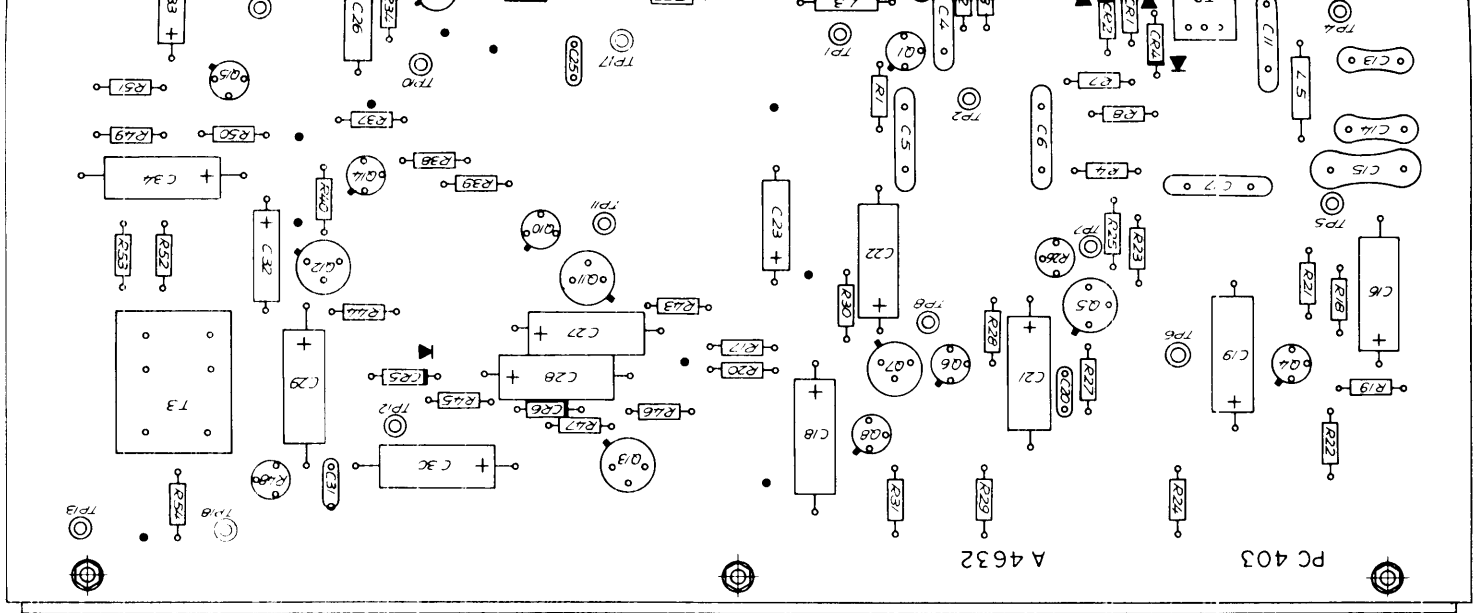
NOTE: UNLESS OTHERWISE SPECIFIED:  
 1 ALL RESISTANCE VALUES ARE IN OHMS, IN WATT.  
 2 ALL DECIMAL CAPACITANCE VALUES ARE IN MICROFARADS.  
 3 ALL WHOLE NO. CAPACITANCE VALUES ARE IN PICOFARADS.  
 PARTIAL REFERENCE DESIGNATIONS ARE SHOWN.  
 FOR COMPLETE DESIGNATION, PREFIX WITH UNIT NUMBER  
 AND SUB-ASSEMBLY DESIGNATION(S) AS APPLICABLE.

CK 1366

Figure 5-53/5-54. Audio/Demodulator, ISB, 2A6, 8, 10, 12, Schematic/Component Locations Diagram

011690392

5-119/5-120



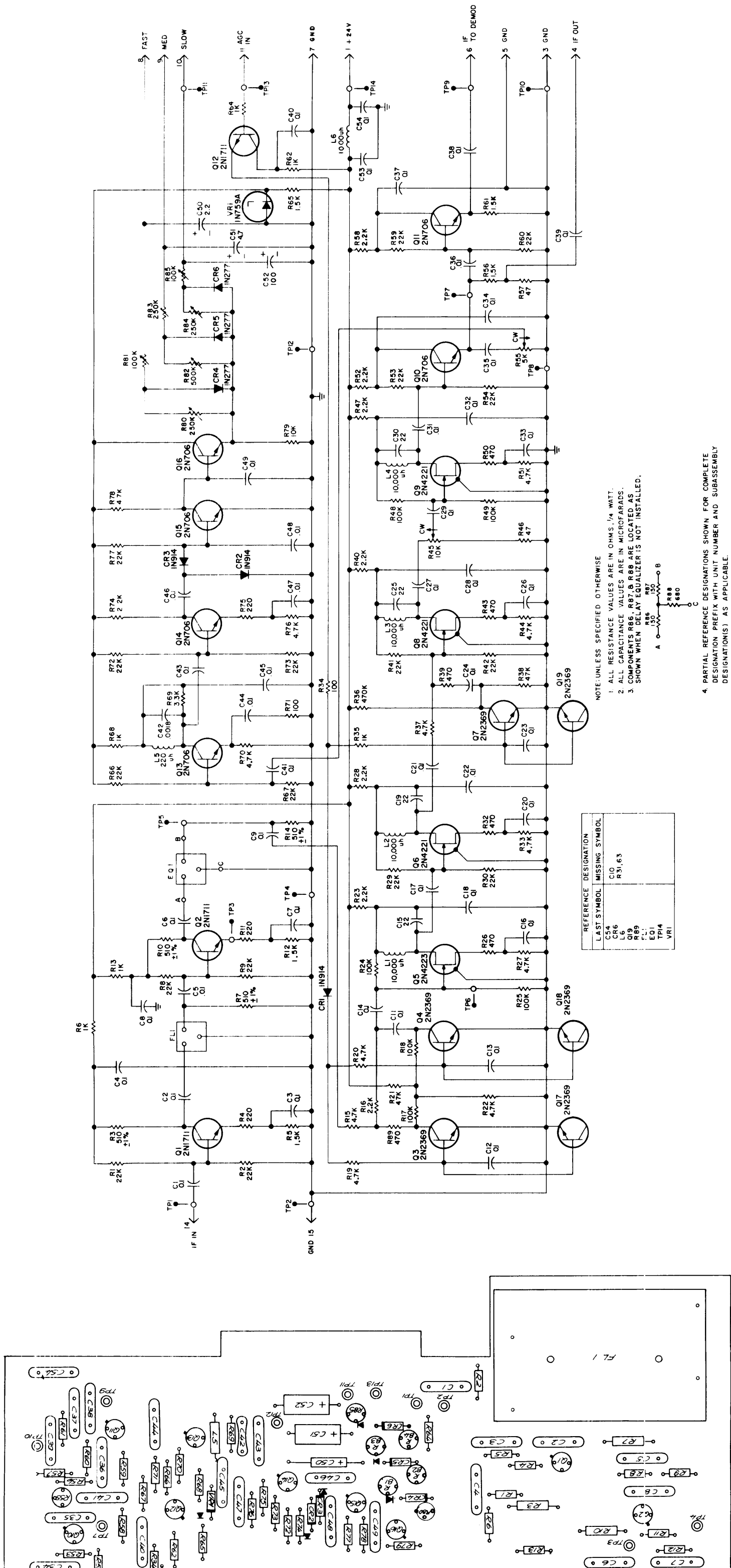
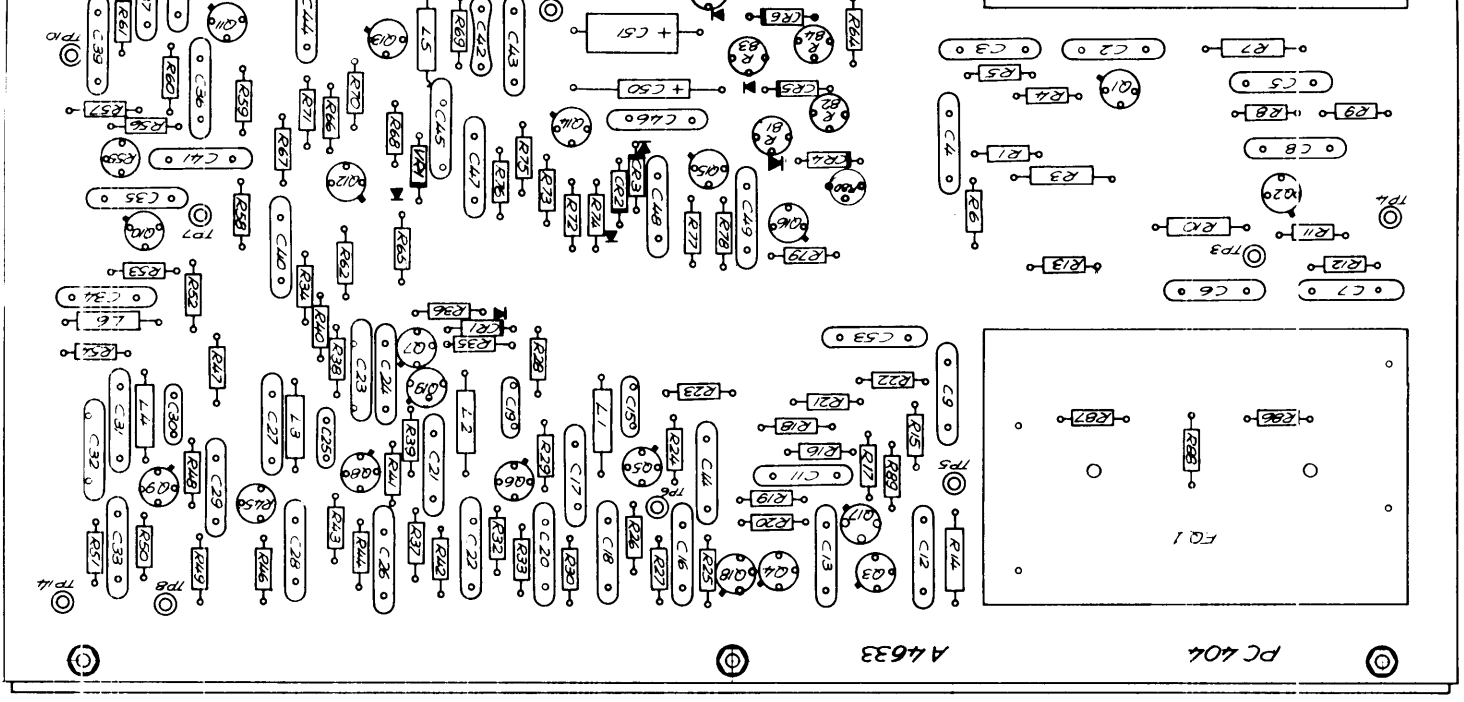


Figure 5-55/5-56. IF/AGC, ISB, 2A7, 9, 11, 13, Schematic/Component Locations Diagram  
011690392



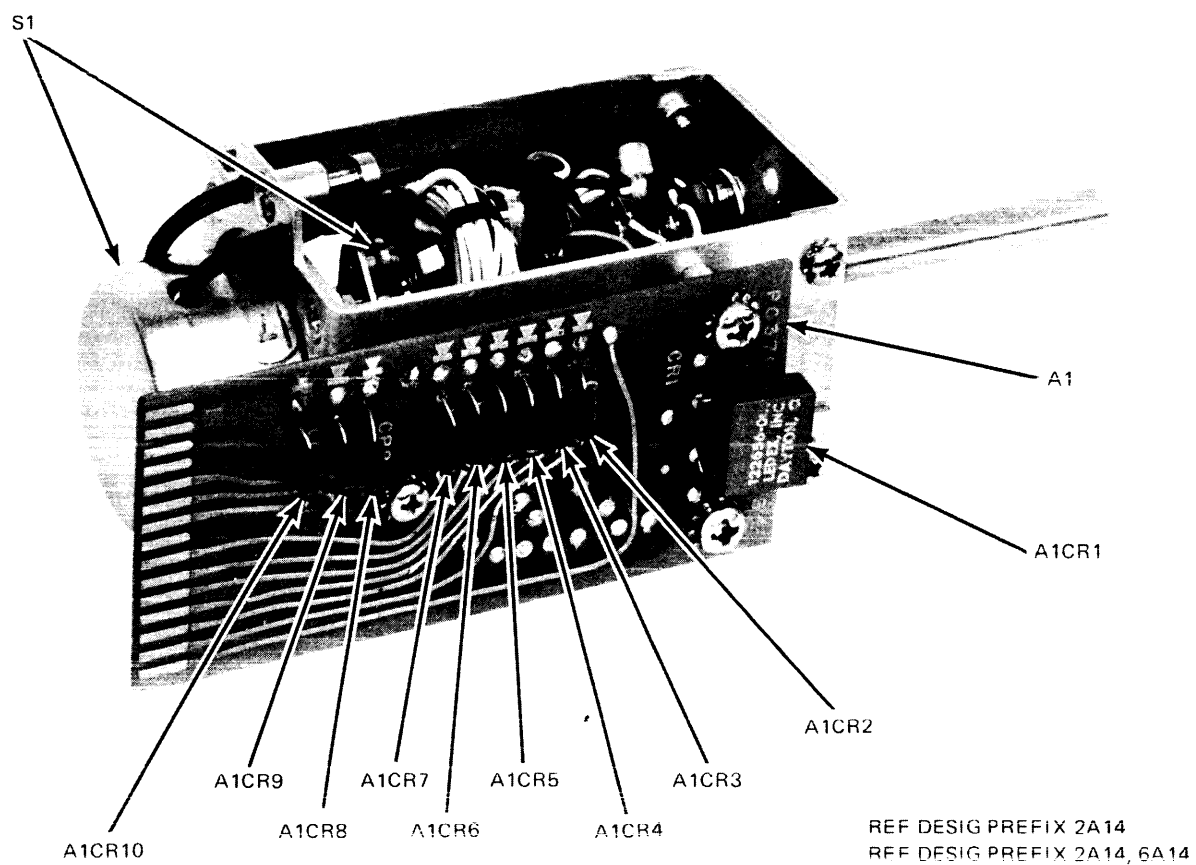
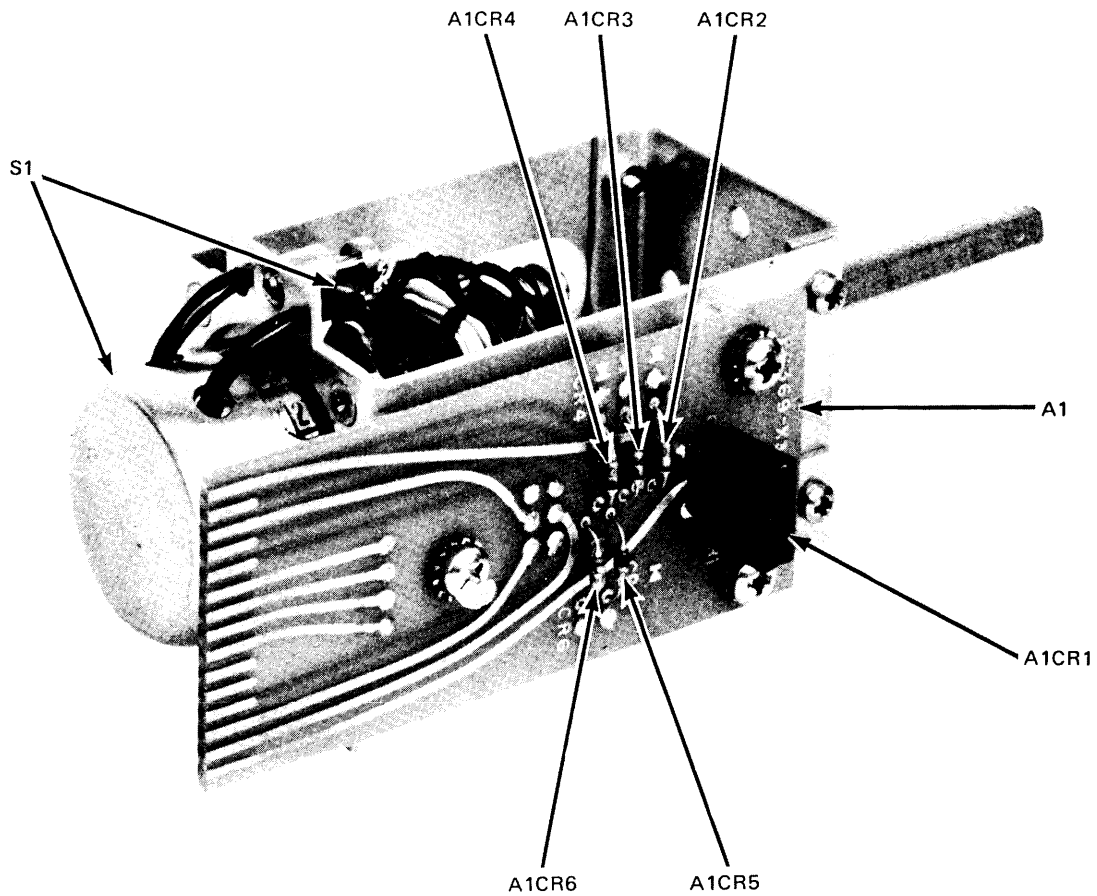


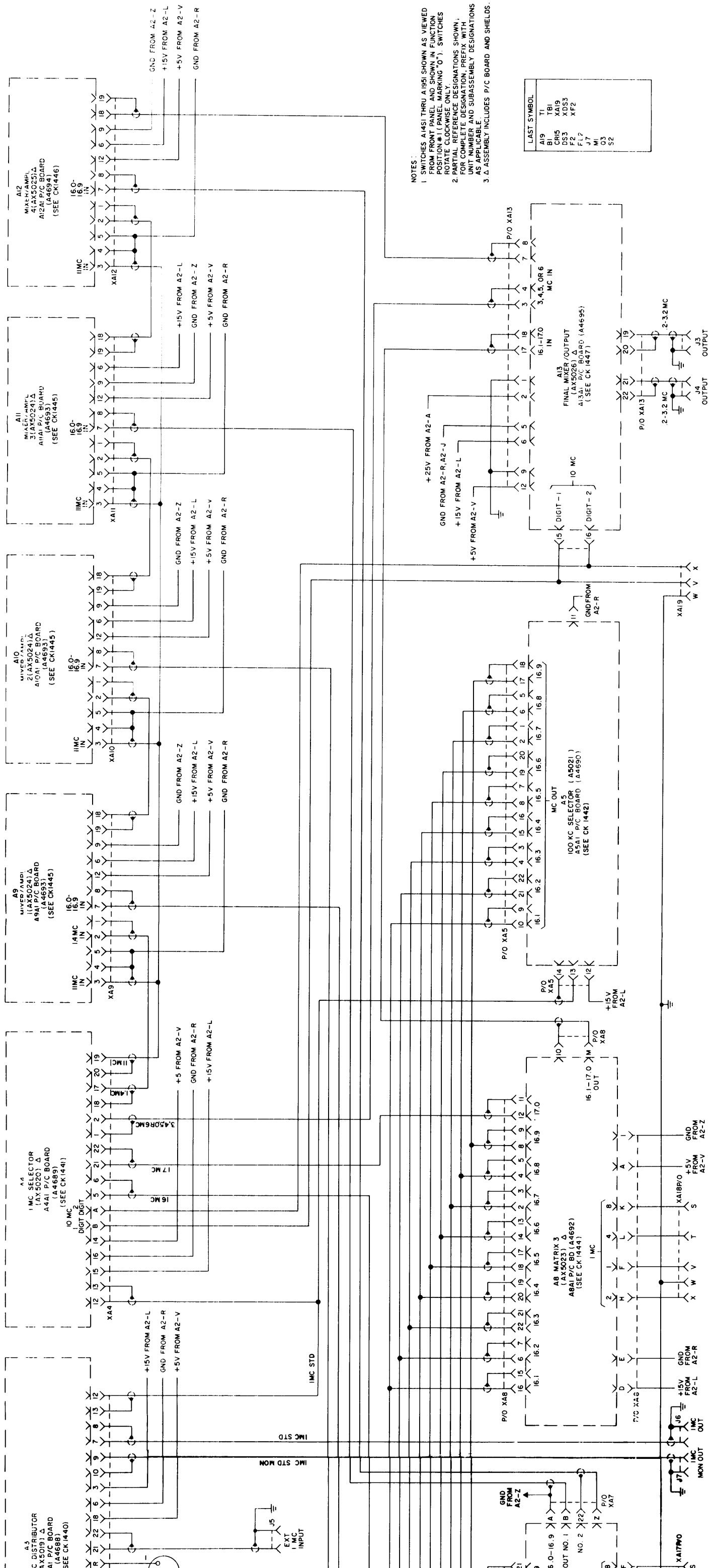
Figure 5-57. MODE Stepping Switch Assembly 2A14, Component Locations Diagram



REF DESIG PREFIX 2A15, 2A16, 2A17, 2A18  
 REF DESIG PREFIX 2A15, 2A16, 2A17, 2A18, 6A15, 6A16, 6A17, 6A18

Figure 5-58. AGC TIME CONSTANT Stepping Switch Assemblies  
 2A15, 16, 17, 18, Component Locations Diagram





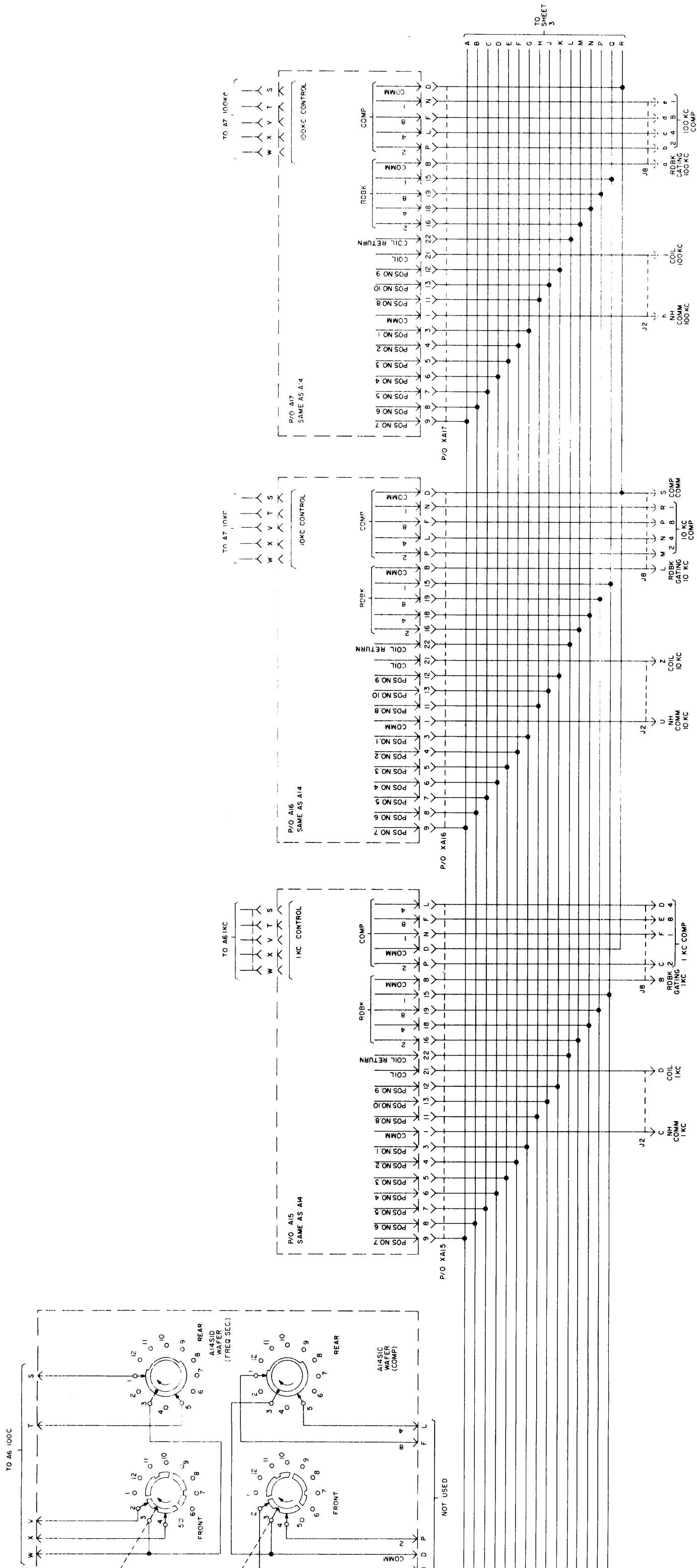
NOTES:  
 1. SWITCHES A141 THRU A191 SHOWN AS VIEWED FROM FRONT PANEL AND SHOWN IN FUNCTION POSITION #1 (PANEL MARKING "0"). SWITCHES ROTATE CLOCKWISE ONLY.  
 2. PARTIAL REFERENCE DESIGNATIONS SHOWN. FOR COMPLETE DESIGNATION, PREFIX WITH UNIT NUMBER AND SUBASSEMBLY DESIGNATIONS AS APPLICABLE.  
 3. Δ ASSEMBLY INCLUDES P/C BOARD AND SHIELDS.

LAST SYMBOL	
A19	TI
B19	TI
CR15	XA19
DS3	XD53
F2	XF2
F1?	F1?
J7	MI
M1	MS
SE	SE

Figure 5-59. Unit 3 (0-1510/URR), Schematic Diagram (Sheet 1 of 3)

011690392





NOTE  
 PARTIAL REFERENCE DESIGNATIONS ARE SHOWN FOR COMPLETE DESIGNATION. PREFIX WITH UNIT NUMBER AND SUBASSSEMBLY DESIGNATIONS AS APPLICABLE.

Figure 5-59. Unit 3 (0-1510/URR), Schematic Diagram (Sheet 2 of 3)  
 011690392 5-127/5-128





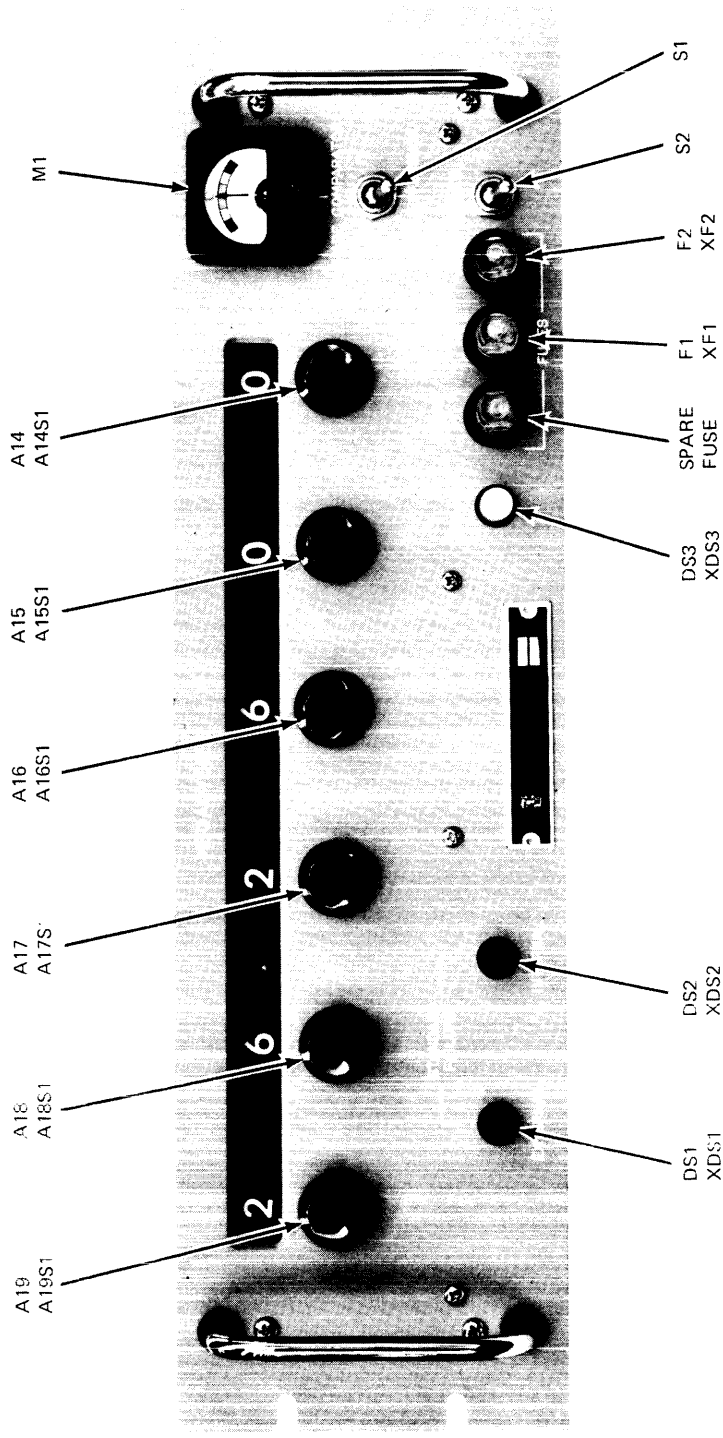
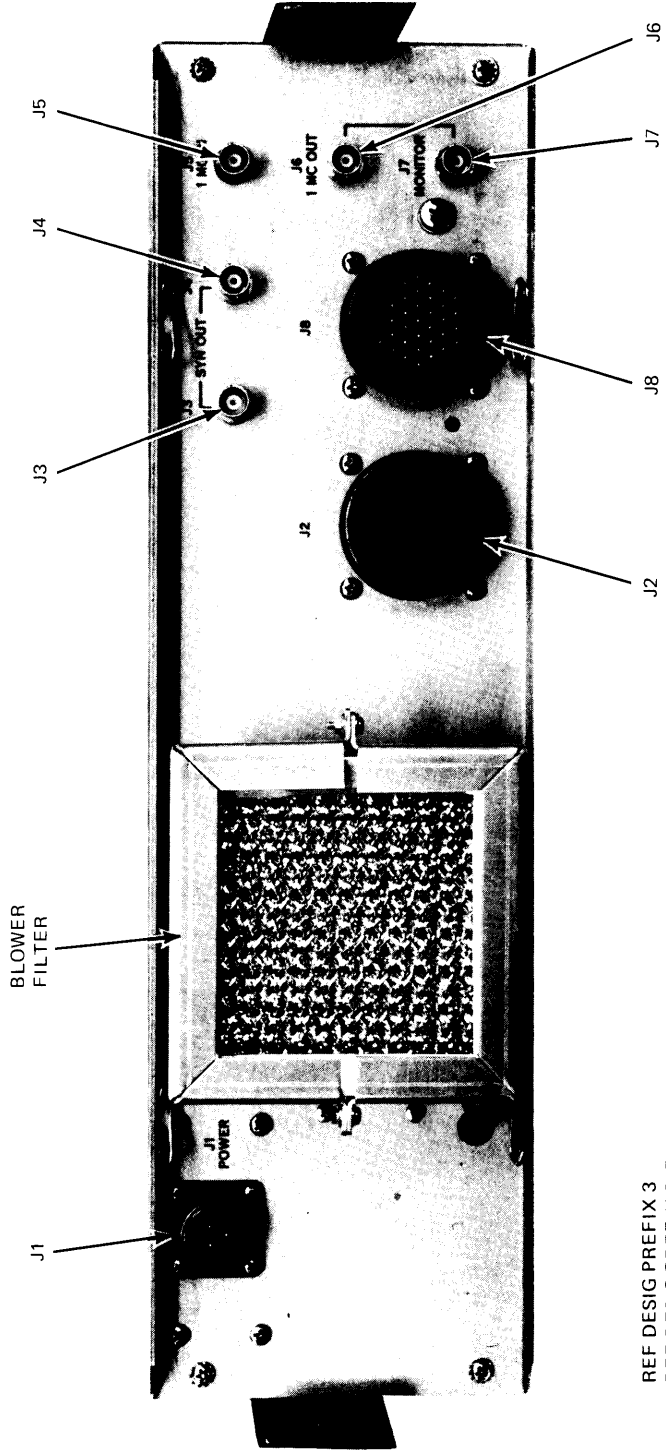


Figure 5-60. Unit 3 (0-1510/URR), Front Panel, Major Component Locations Diagram.



REF DESIG PREFIX 3  
REF DESIG PREFIX 3.7

Figure 5-61. Unit 3 (0-1510/URR), Rear Panel, Major Component Locations Diagram

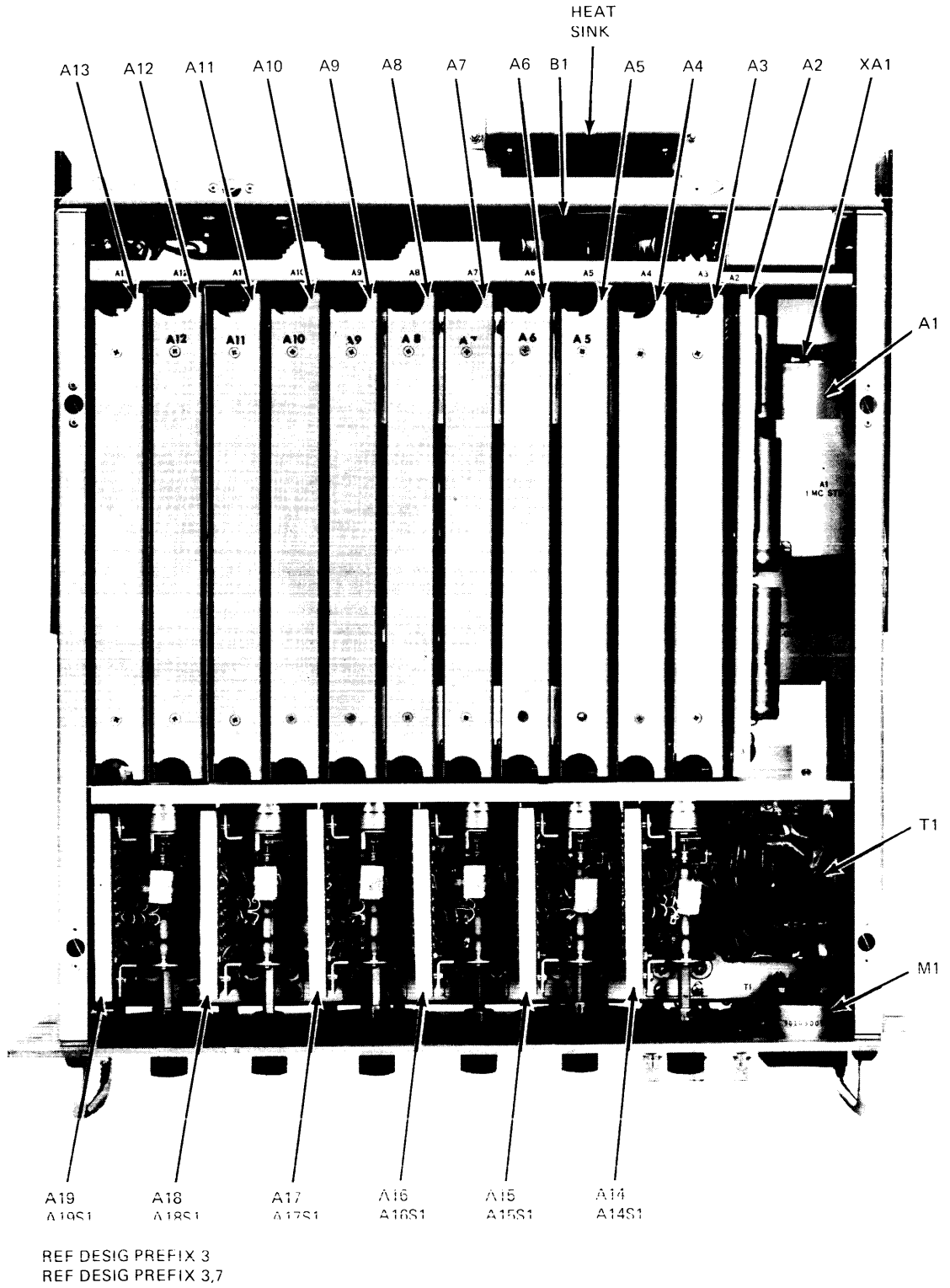


Figure 5-62. Unit 3 (0-1510/URR), Top View, Major Component Locations Diagram  
011690392



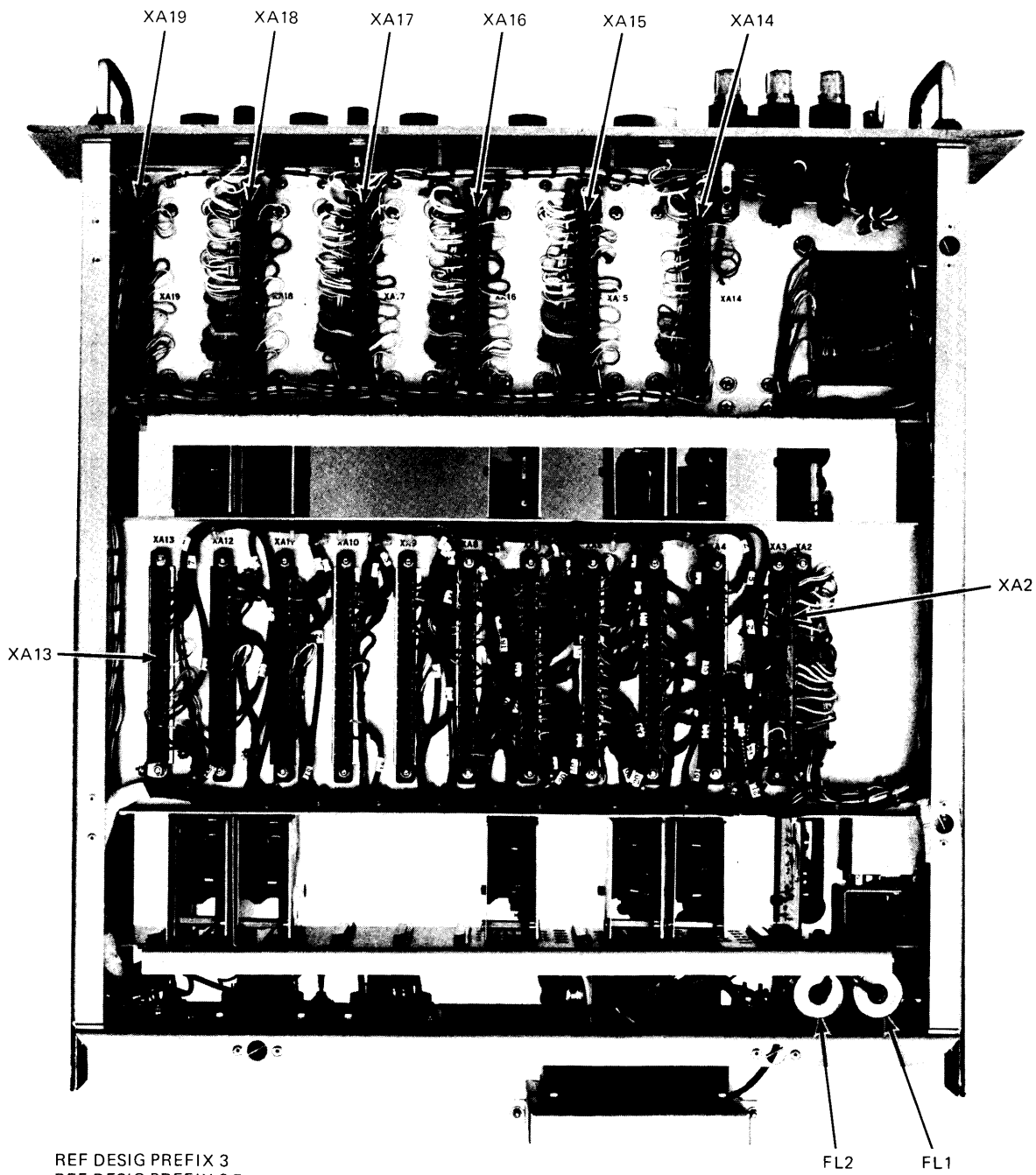
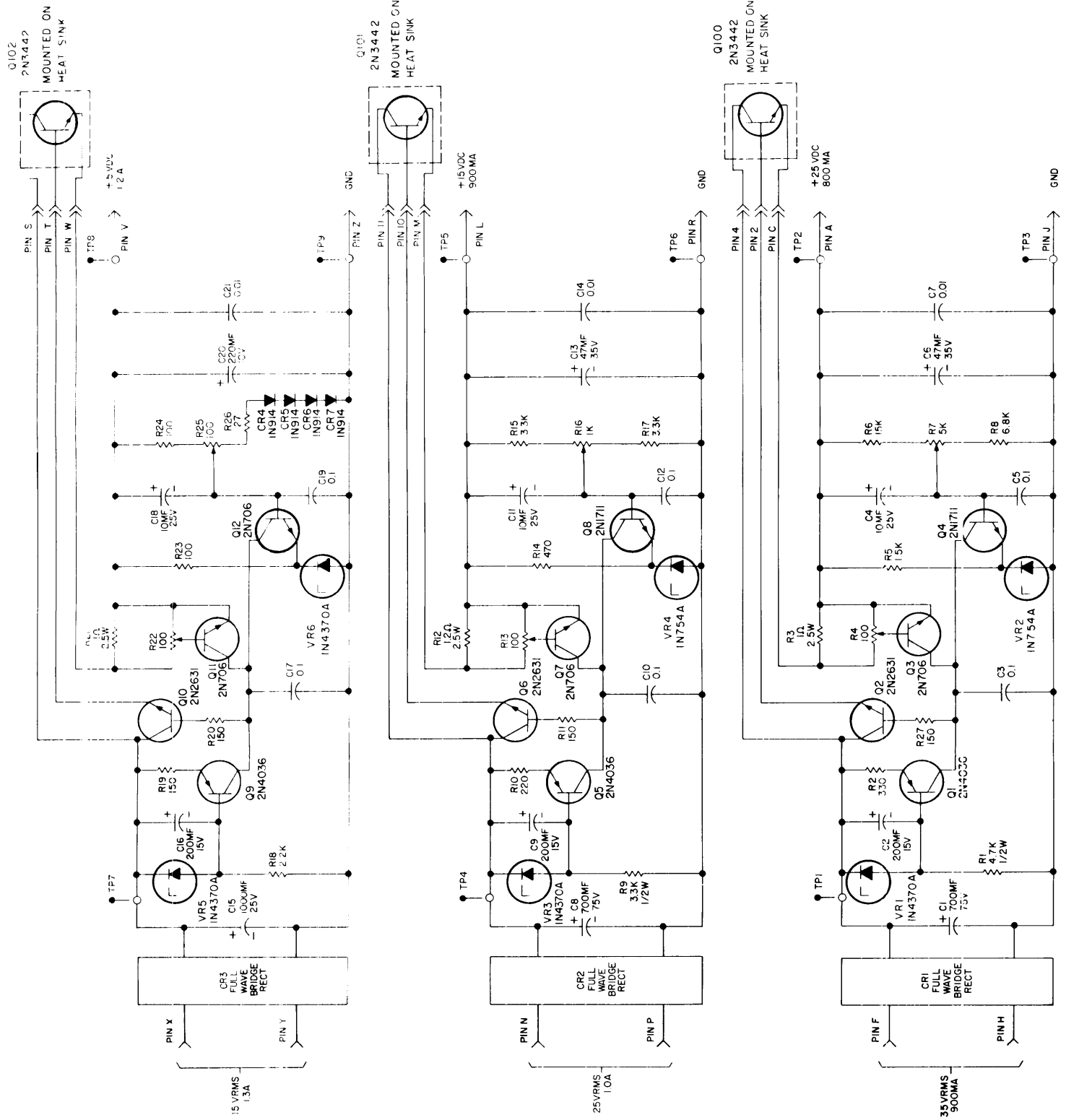
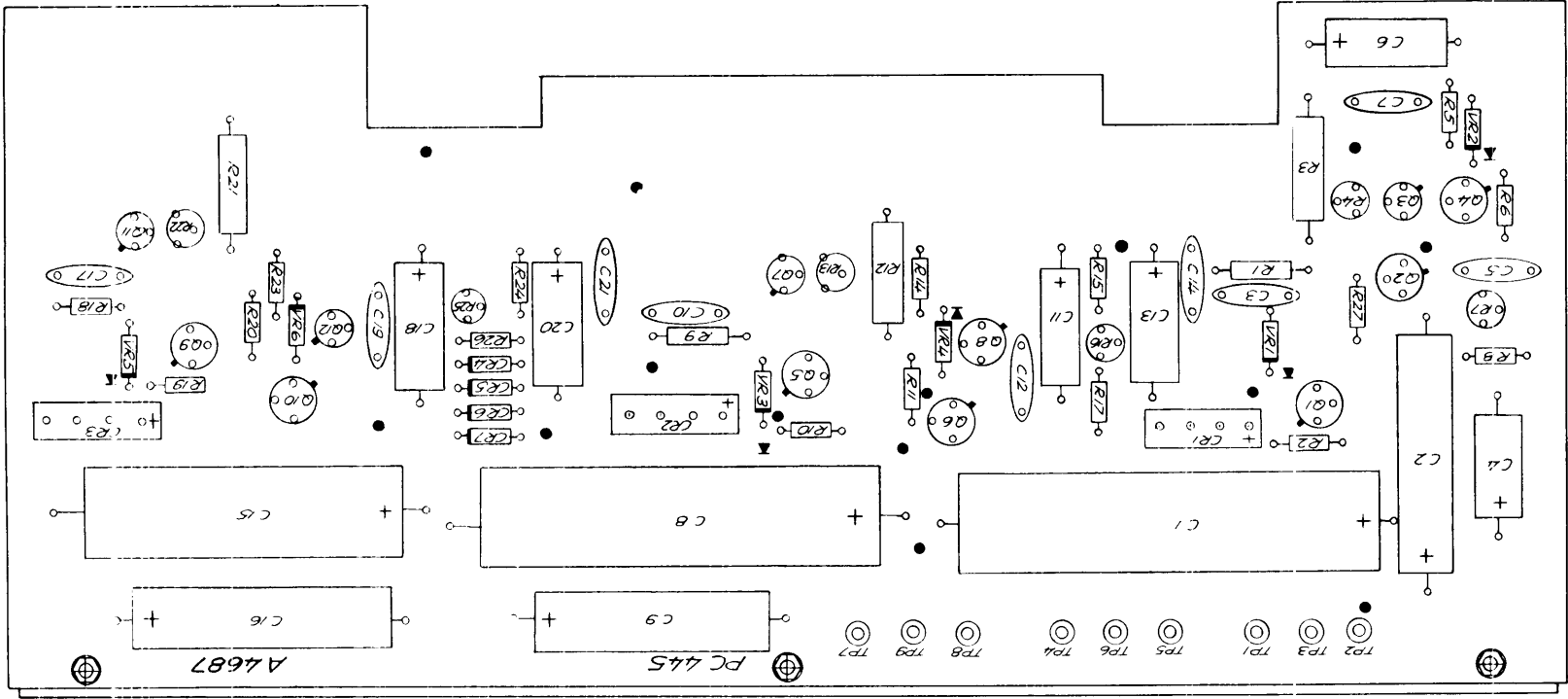


Figure 5-63. Unit 3 (0-1510/URR), Bottom View, Major Component Locations Diagram  
5-134



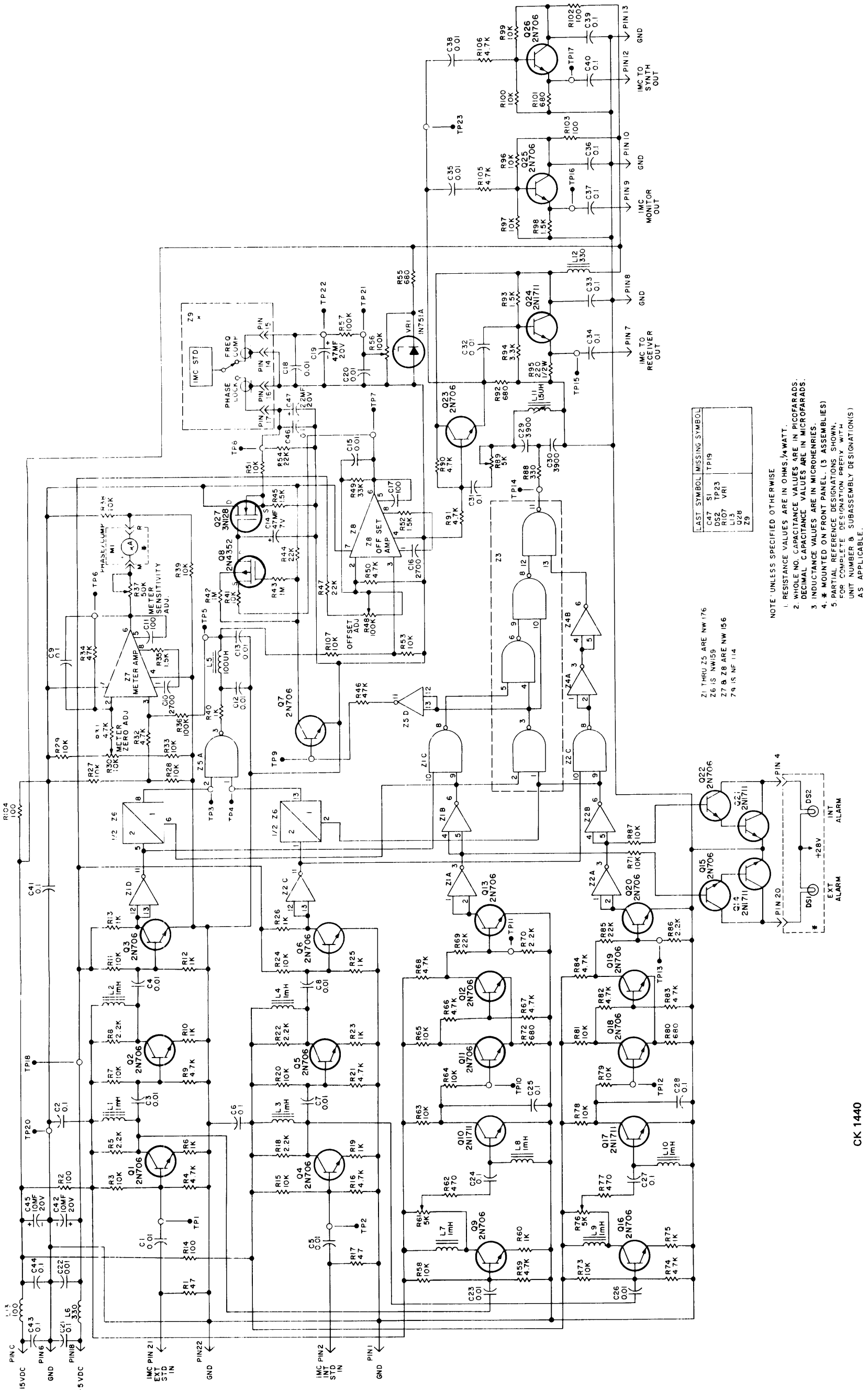
NOTE UNLESS OTHERWISE SPECIFIED  
 1. ALL RESISTANCE VALUES ARE IN OHMS, 1/4 WATT.  
 2. ALL CAPACITANCE VALUES ARE IN MICROFARADS.  
 3. PARTIAL REFERENCE DESIGNATIONS SHOWN FOR COMPLETE DESIGNATION PREFIX WITH UNIT NUMBER AND SUBASSEMBLY DESIGNATION(S) AS APPLICABLE.

REFERENCE DESIGNATION	DESIGNATION	DELETED
LAST	VR6	
C21	VR6	
CR7		
Q102		Q13-99
R27		
TP9		

CK 1439

Figure 5-64/5-65. Power Supply 3A2, Schematic/Component Locations Diagram

011690392



LAST SYMBOL MISSING SYMBOL	
C47	SI
D52	TP23
R107	VRI
L13	
Z9	

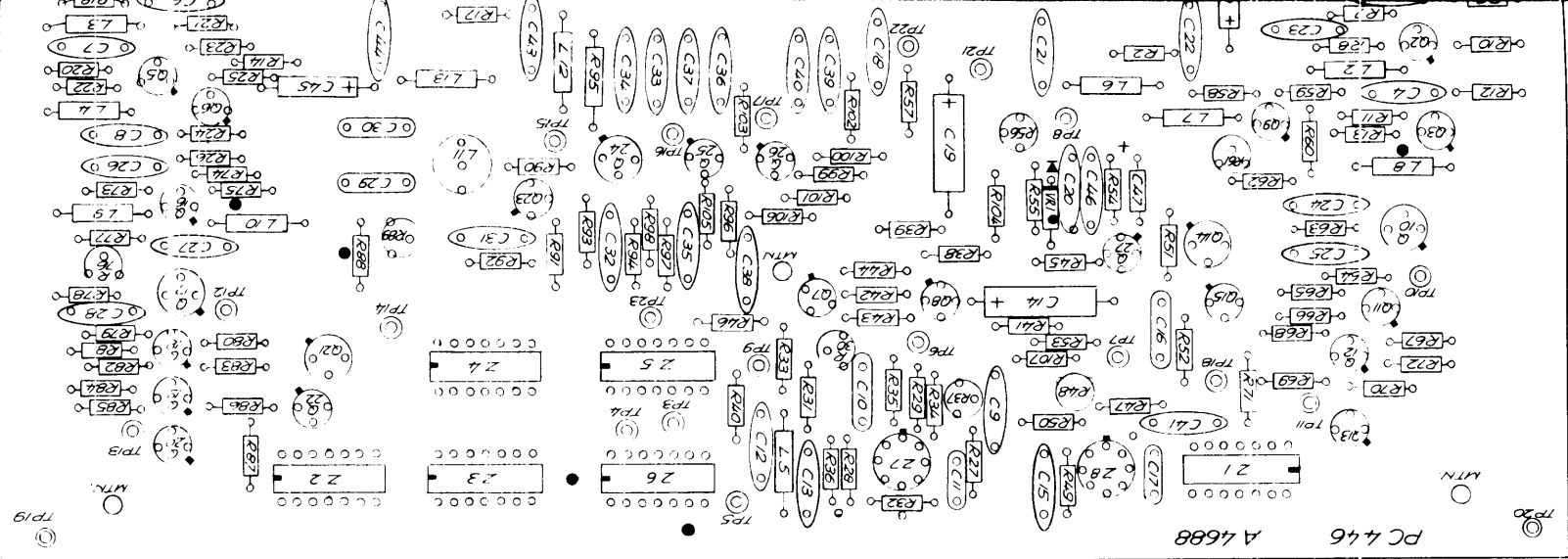
NOTE: UNLESS SPECIFIED OTHERWISE

1. RESISTANCE VALUES ARE IN OHMS, K=KILLOHMS, M=MEGAHMS.
2. WHOLE NO. CAPACITANCE VALUES ARE IN PICOFARADS. DECIMAL CAPACITANCE VALUES ARE IN MICROFARADS.
3. INDUCTANCE VALUES ARE IN MICROHENRIES.
4. \* MOUNTED ON FRONT PANEL. (3 ASSEMBLIES)
5. PARTIAL REFERENCE DESIGNATIONS SHOWN. FOR COMPLETE DESIGNATION PREIFY WITH UNIT NUMBER & SUBASSEMBLY DESIGNATION(S) AS APPLICABLE.

Z1 THRU Z5 ARE NM 176  
 Z6 IS NM155  
 Z7 & Z8 ARE NM 156  
 Z9 IS NF 114

CK 1440

Figure 5-66/5-67. 1 MHz Distributor 3A3, Schematic/Component Locations Diagram

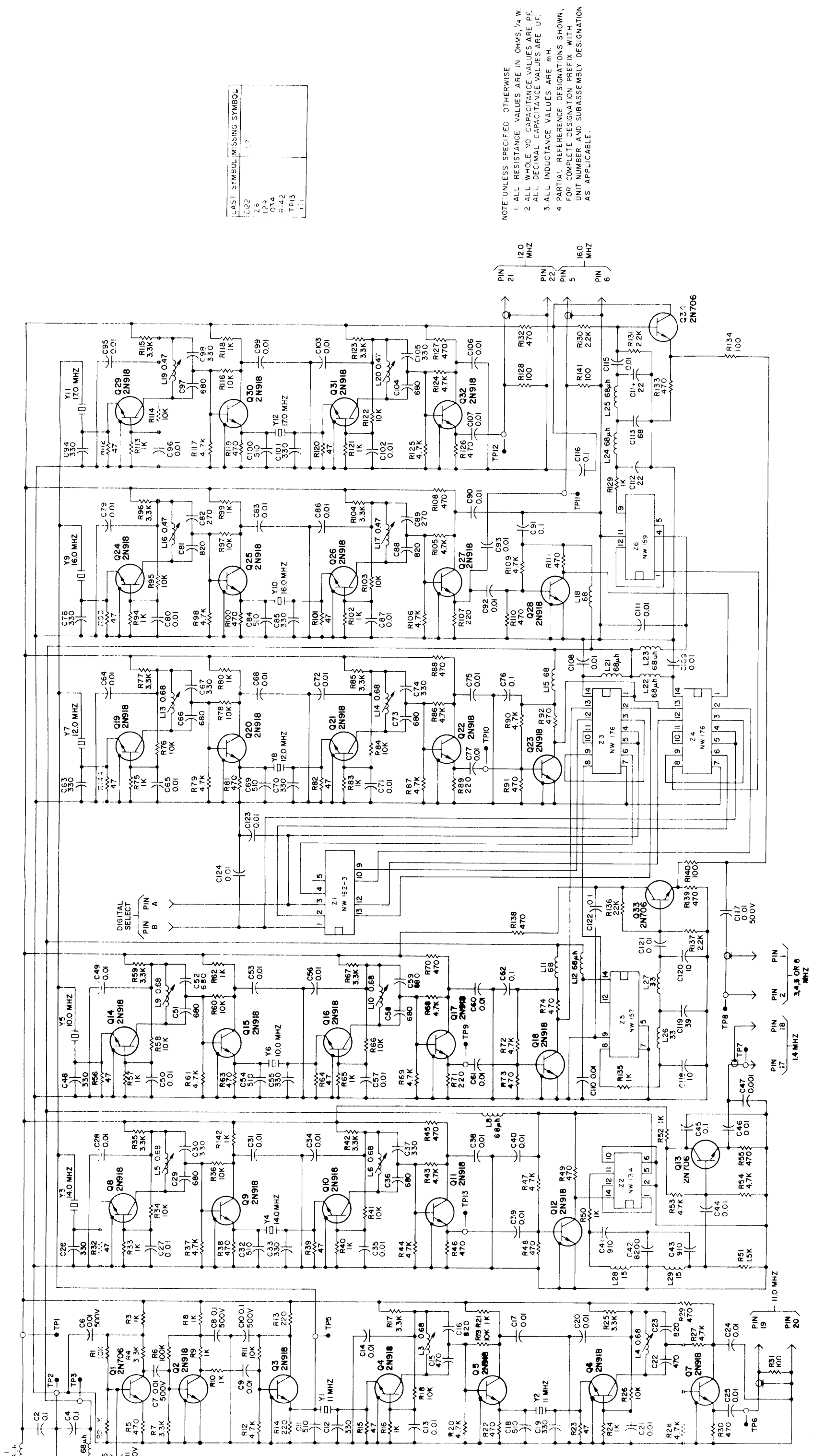


PC 446 A4688

TP19

MTN

TP30



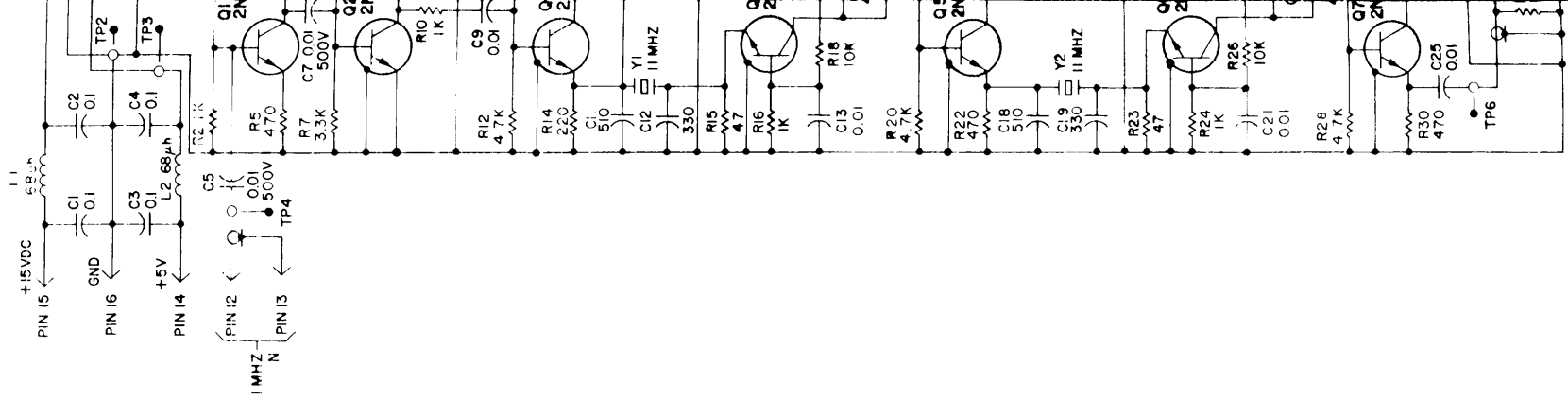
LAST SYMBOL MISSING SYMBOL	
C22	1.7
Z5	
L24	
R42	
TP3	
I.1	

NOTE UNLESS SPECIFIED OTHERWISE  
 1 ALL RESISTANCE VALUES ARE IN OHMS, 1/4 W.  
 2 ALL WHOLE NO. CAPACITANCE VALUES ARE PF.  
 3 ALL DECIMAL CAPACITANCE VALUES ARE UF.  
 4 ALL INDUCTANCE VALUES ARE MH.  
 5 PARTIAL REFERENCE DESIGNATIONS SHOWN, FOR COMPLETE DESIGNATION PREFIX WITH UNIT NUMBER AND SUBASSEMBLY DESIGNATION AS APPLICABLE.

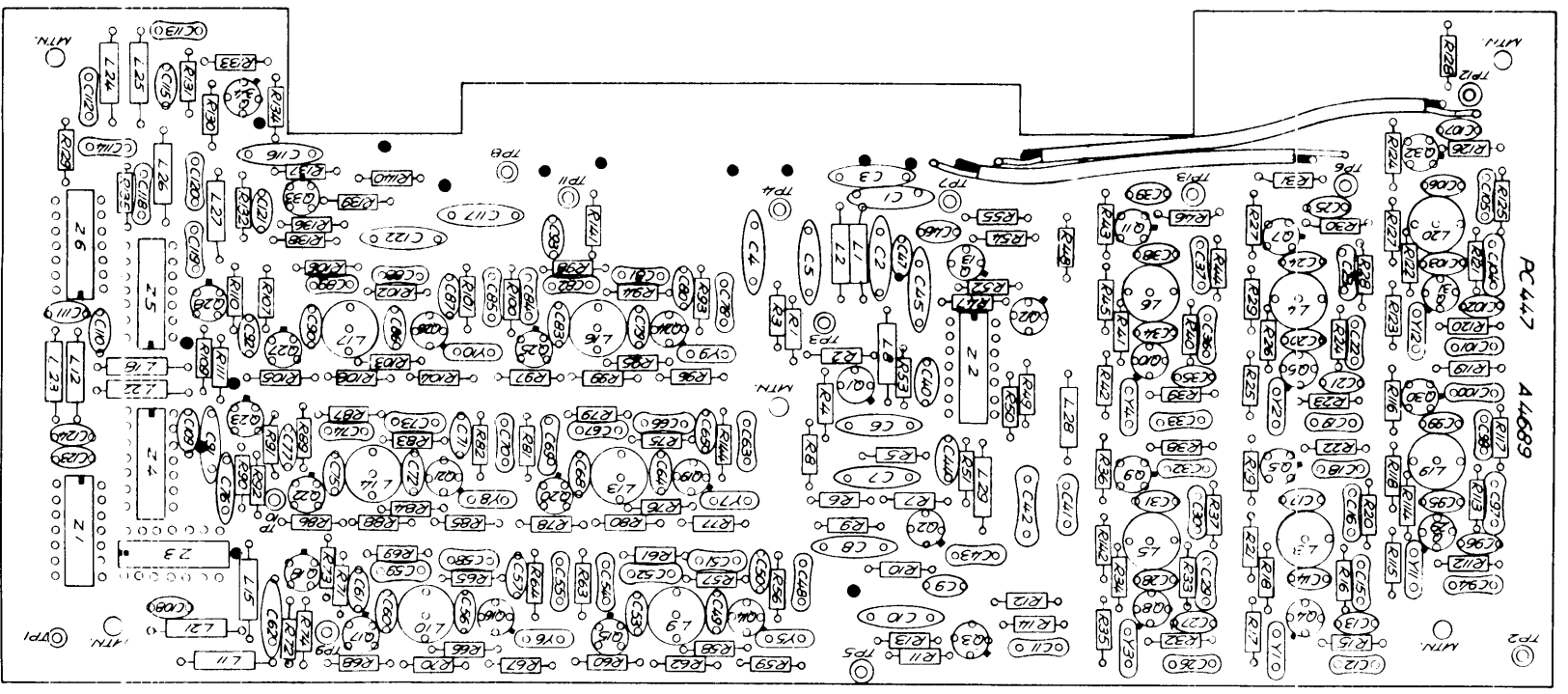
CK 1441

Figure 5-68/5-69. 1 MHz Selector 3A4, Schematic/Component Locations Diagram

011690392



- ASSEMBLY NOTES:
1. TO MOUNT COMPONENTS, INSERT LEADS THROUGH PLATED THRU - HOLES.
  2. CAUTION, WHEN APPLYING HEAT AND SOLDER TO LEAD AND FOIL.
  3. CLEAN AND INSPECT AS PER SPEC. 5.676.
  4. FOR ELECTRICAL COMPONENT PART NUMBERS REFER TO MPL A 4689.
  5. USE SYMBOL NUMBERS FOR ASSEMBLY REFERENCE.



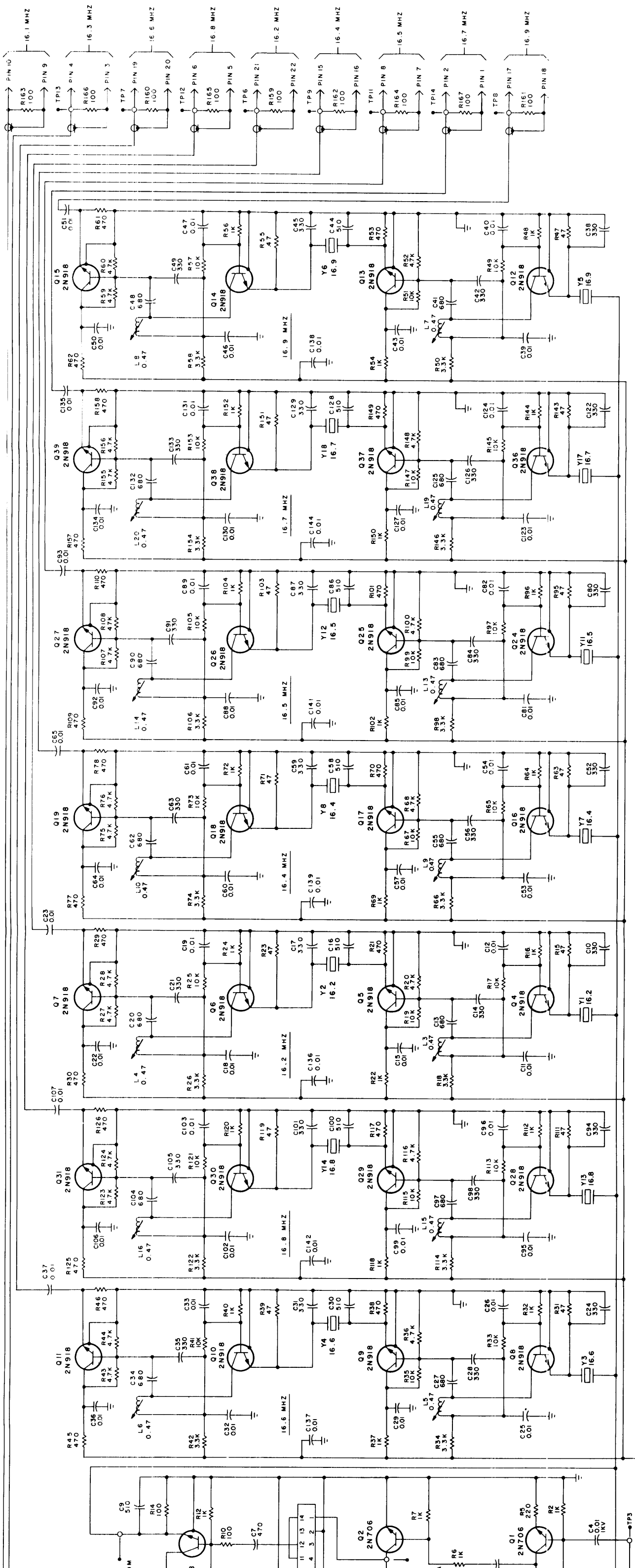


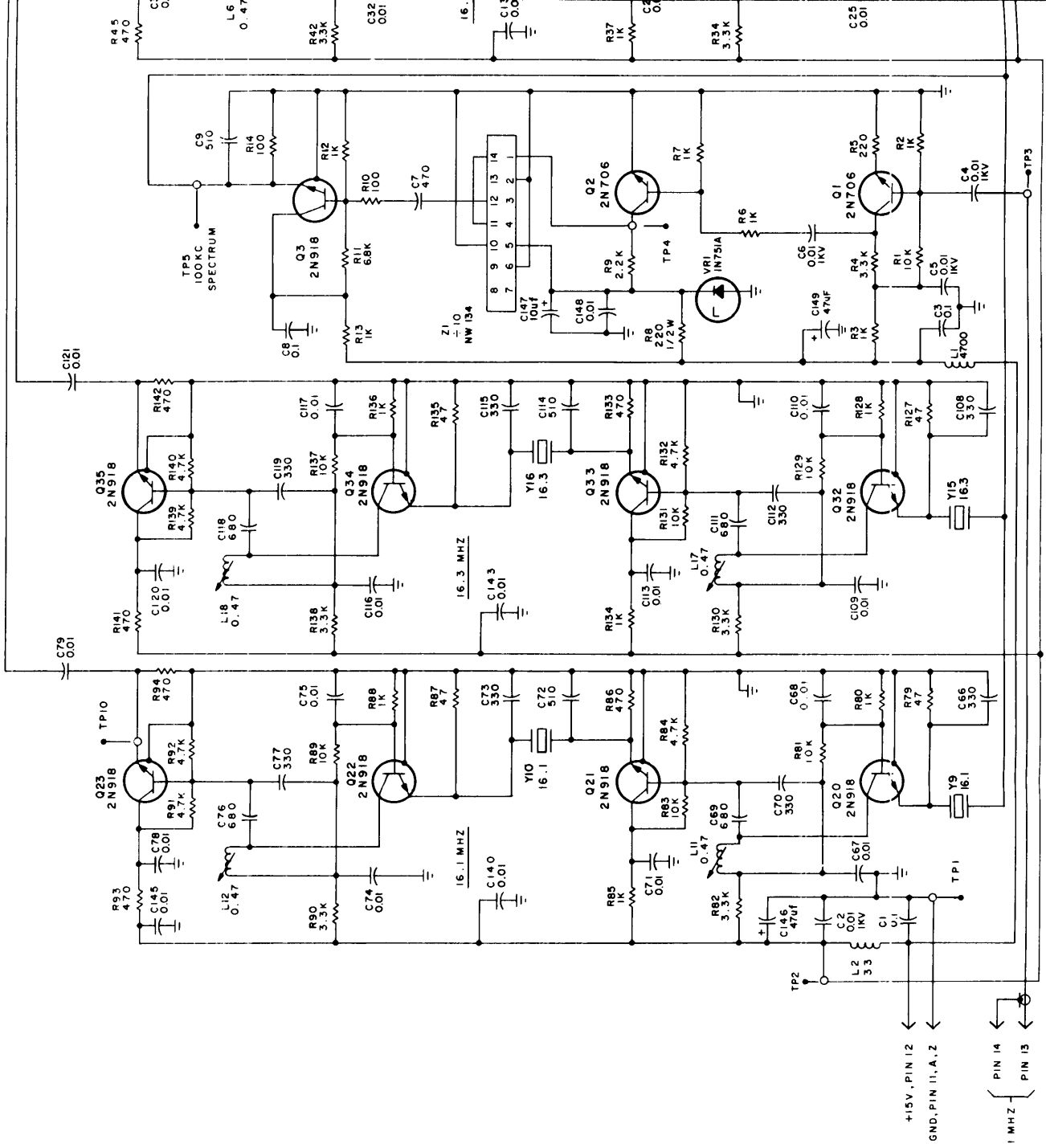
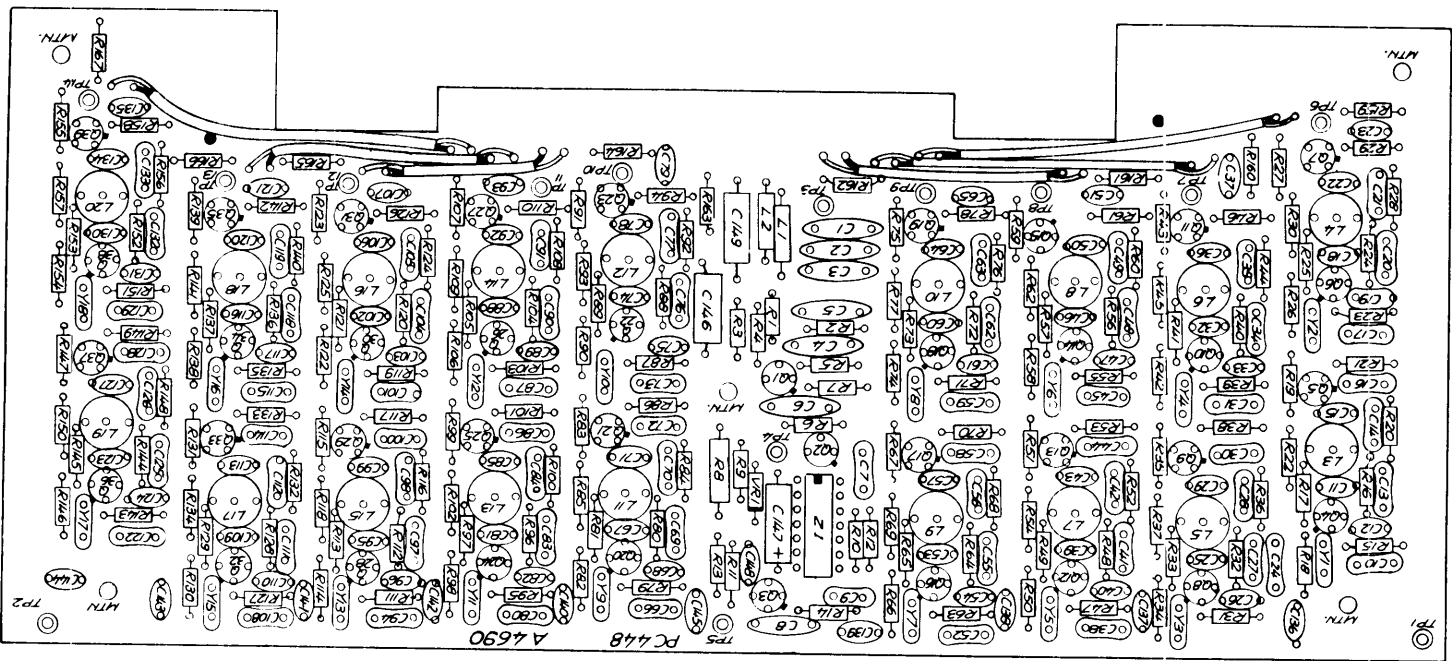
Figure 5-70/5-71. 100 KHz Selector 3A5, Schematic/Component Locations Diagram  
 011690392  
 5-141/5-142

NOTES: UNLESS OTHERWISE SPECIFIED

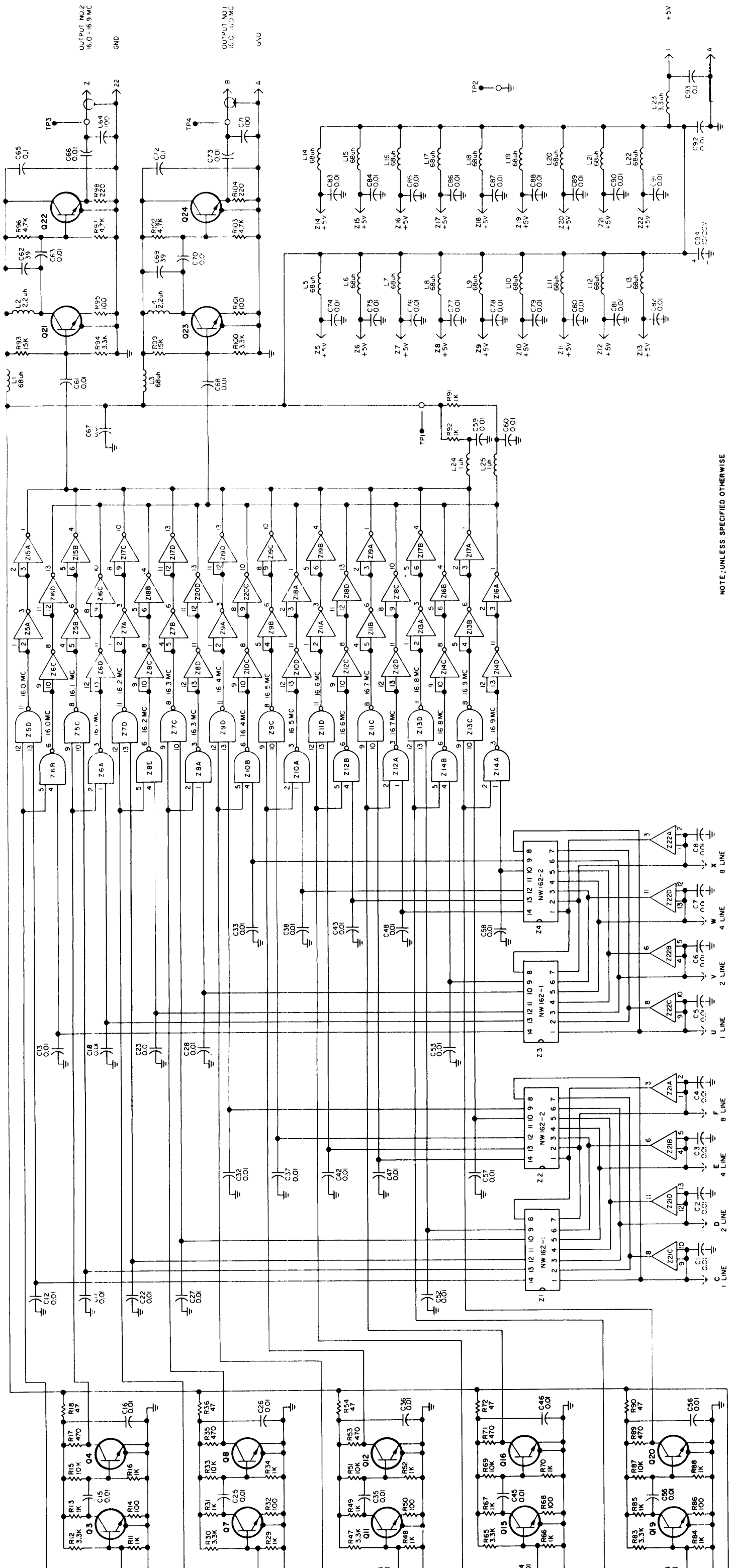
1. ALL RESISTORS IN OHMS.
2. ALL INDUCTORS IN MICROHENRIES.
3. ALL DECIMAL VALUE CAPACITORS IN MF.
4. ALL OTHERS IN MMF (PF).

PARTIAL REFERENCE DESIGNATIONS SHOWN.  
 FOR COMPLETE DESIGNATION PREFIX WITH  
 UNIT NUMBER AND SUBASSEMBLY DESIGNATION  
 AS APPLICABLE.

LAST SYMBOL	MISSING SYMBOL
C148	
IC1	
V1	
L20	
R17	
T14	
Y18	



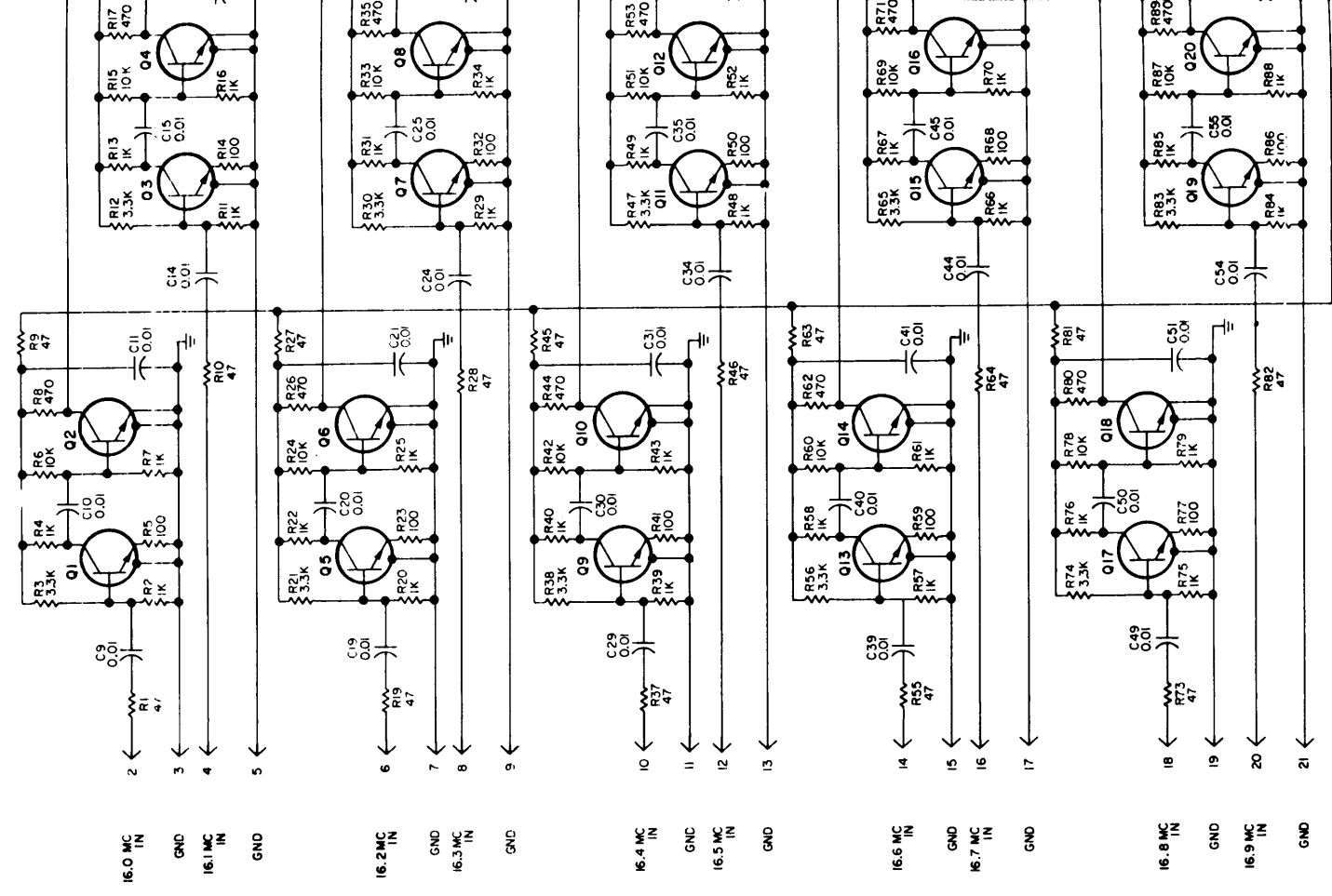
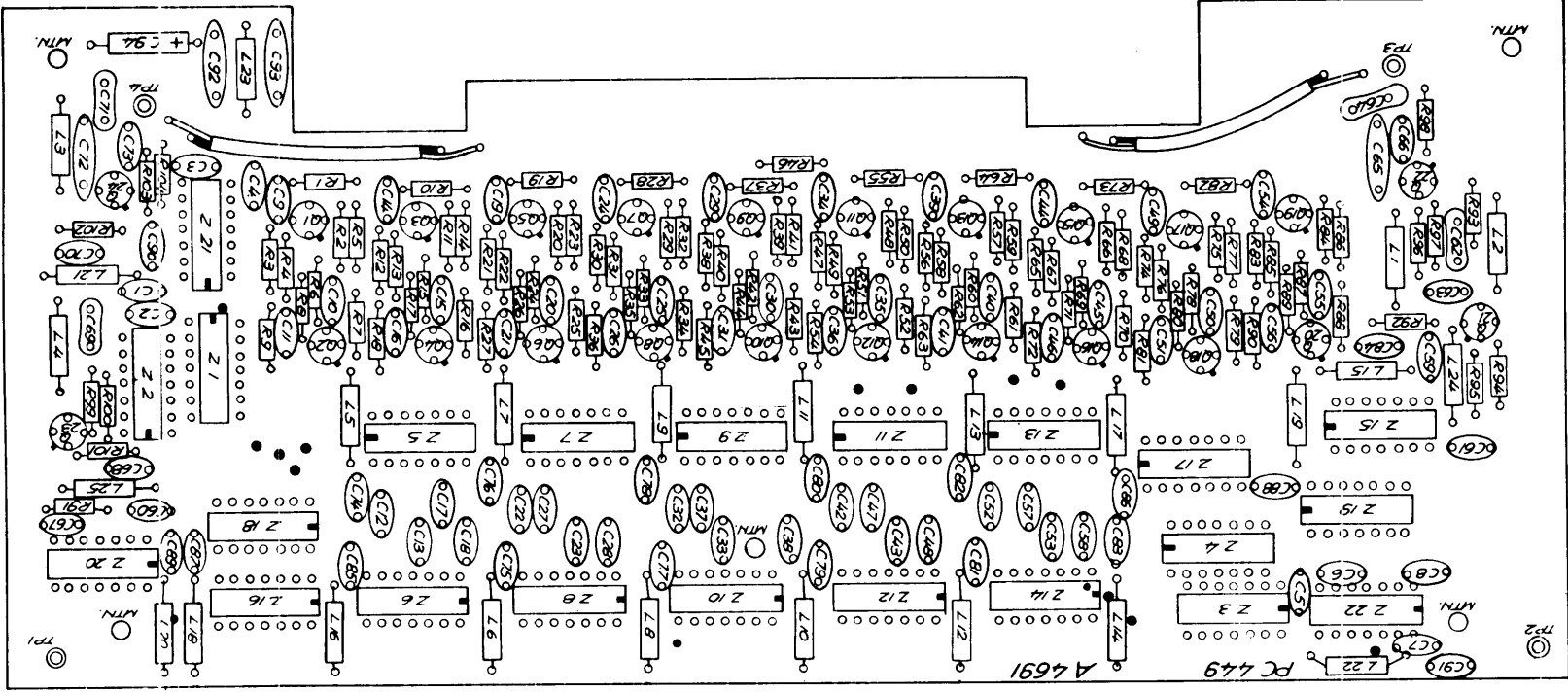




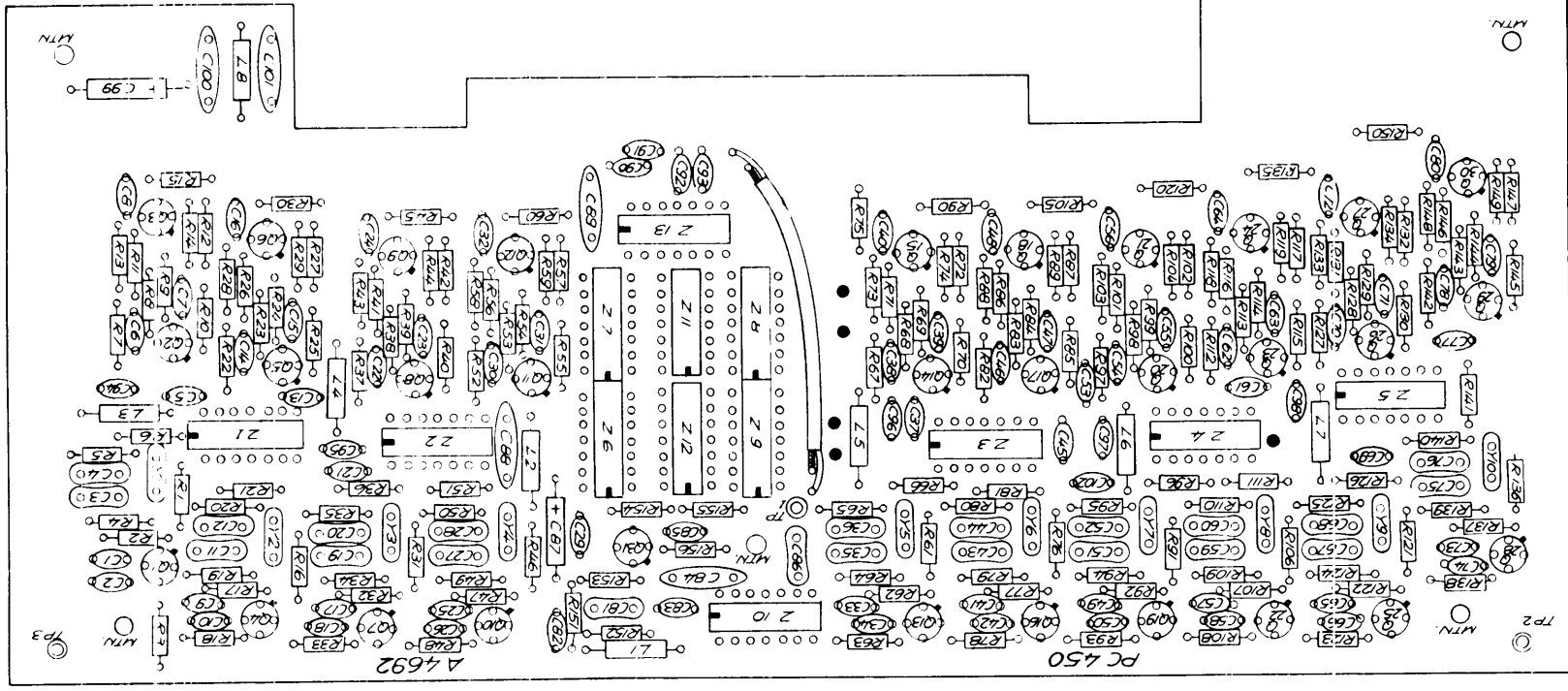
- NOTE: UNLESS SPECIFIED OTHERWISE
1. ALL TRANSISTORS ARE 2N918.
  2. RESISTANCE VALUES ARE IN OHMS,  $\frac{1}{4}$  WATT.
  3. WHOLE NO. CAPACITANCE VALUES ARE IN PF.
  4. DECIMAL CAPACITANCE VALUES ARE IN UF.
  5. PARTIAL REFERENCE DESIGNATIONS SHOWN FOR COMPLETE DESIGNATION PREFIX WITH UNIT NUMBER AND SUBASSEMBLY DESIGNATIONS AS APPLICABLE.
  6. Z5 THRU Z14 ARE NW176.
  7. Z15 THRU Z20 ARE NW167.
  8. Z21 & Z22 ARE NW176.

LAST SYMBOL	MISSING SYMBOL
C94	
L25	
Q24	
TP4	
Z22	

Figure 5-72/5-73. Matrix Distributor 3A6, 7, Schematic/Component Locations Diagram  
011690392



CK 1443

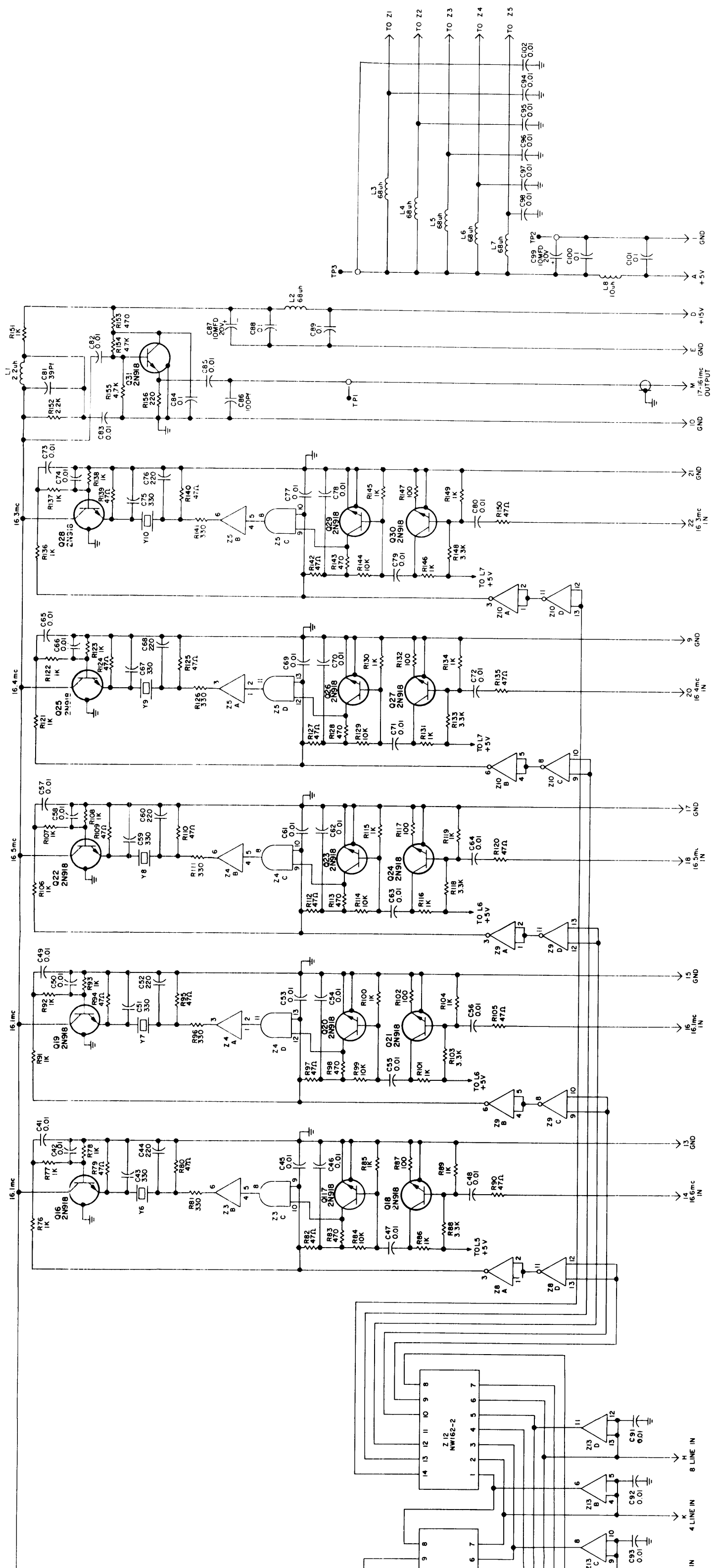


ASSEMBLY NOTES:

1. TO MOUNT COMPONENTS, INSERT LEADS THROUGH PLATED THRU - HOLES.
2. CAUTION, WHEN APPLYING HEAT AND SOLDER TO LEAD AND FOIL.
3. CLEAN AND INSPECT AS PER SPEC. 5676.
4. FOR ELECTRICAL COMPONENT PART NUMBERS REFER TO NPL A 4692.
5. USE SYMBOL NUMBERS FOR ASSEMBLY REFERENCE.

Figure 5-74. Matrix Distributor 3A8, Component Locations Diagram

011690392

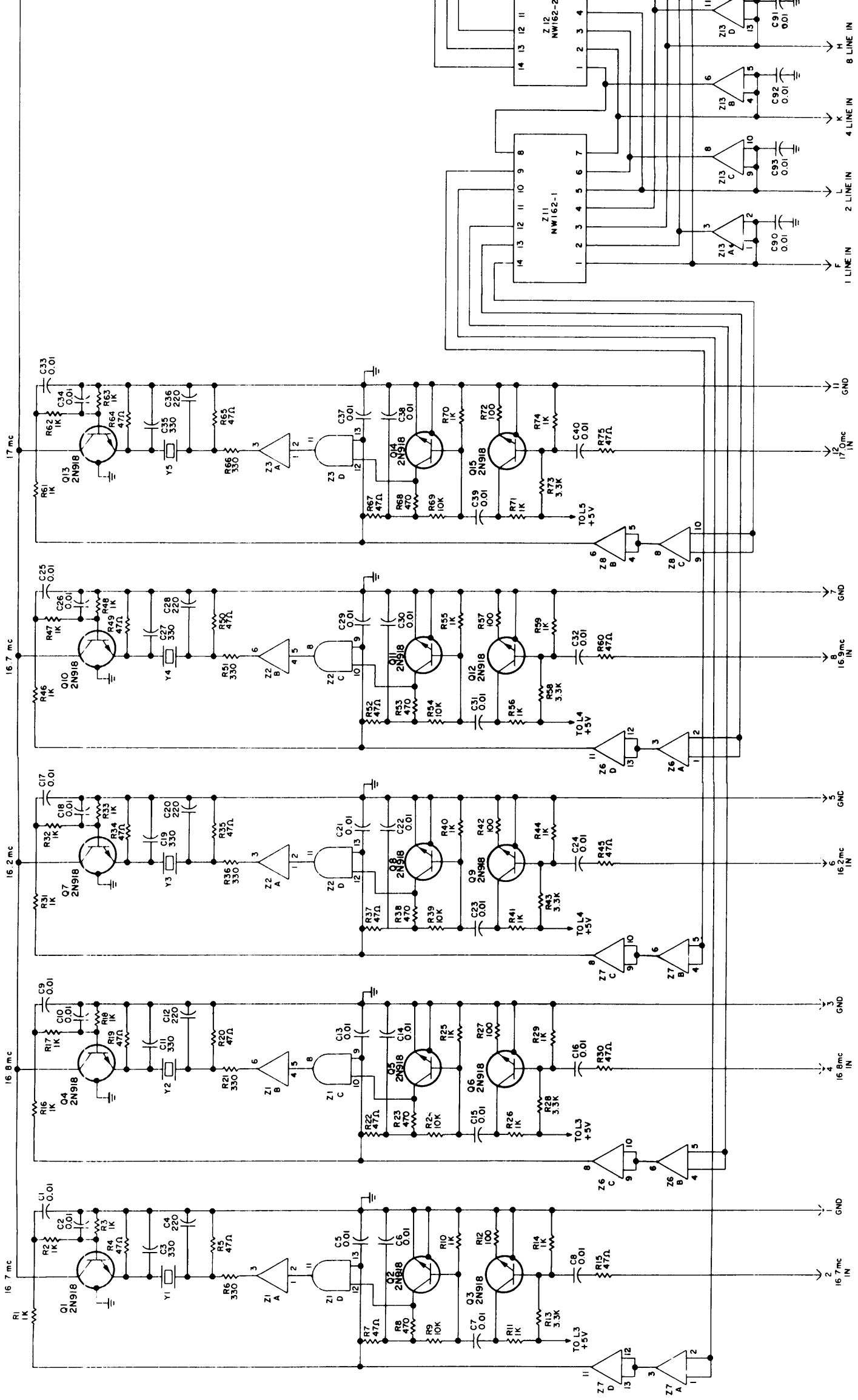


LAST SYMBOL	DELETED SYMBOL
C101	
Z13	
L8	
Q13	
R156	
*P3	
Y10	

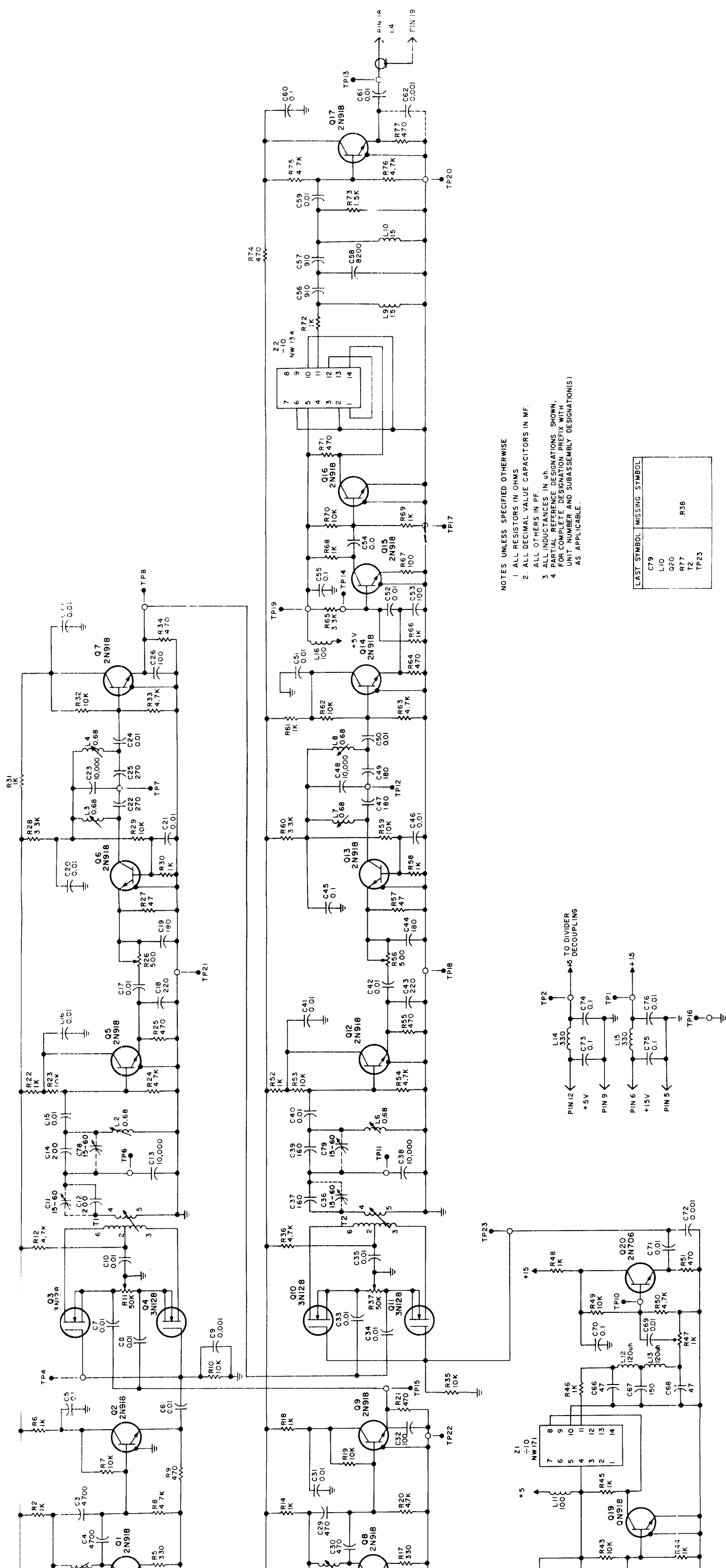
- NOTE UNLESS SPECIFIED OTHERWISE
1. ALL RESISTANCE VALUES ARE IN OHMS, IN WATT.
  2. ALL CAPACITANCE VALUES ARE IN MICROFARADS.
  3. PARTIAL REFERENCE DESIGNATIONS SHOWN FOR COMPLETE DESIGNATION PREFIX WITH UNIT NUMBER AND SUBASSEMBLY DESIGNATION(S) AS APPLICABLE.
  4. ALL Z NOS. ARE NW 176.

Figure 5-75. Matrix Distributor 3A8, Schematic Diagram

011690392

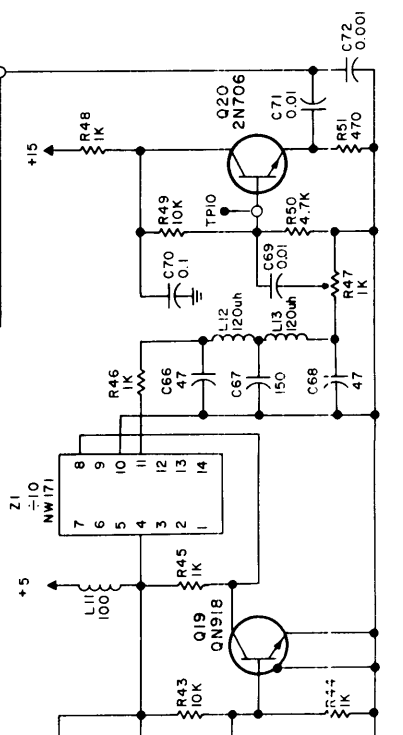
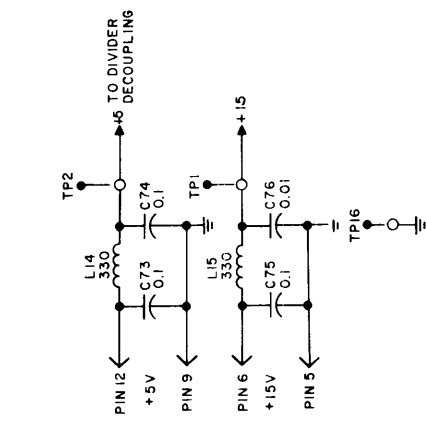


CK 1444



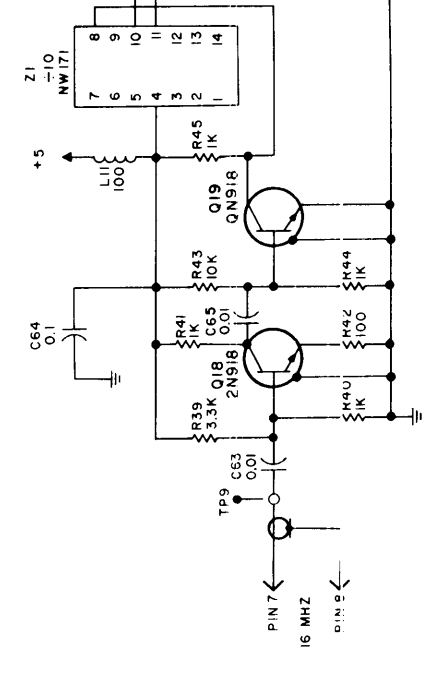
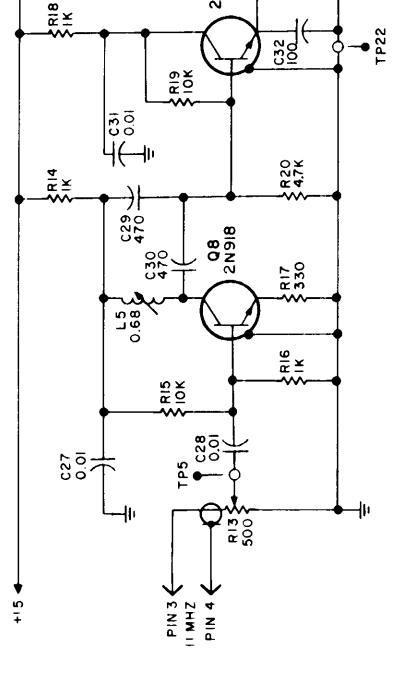
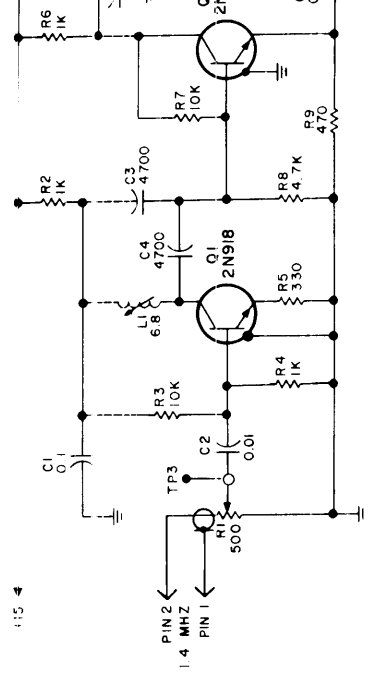
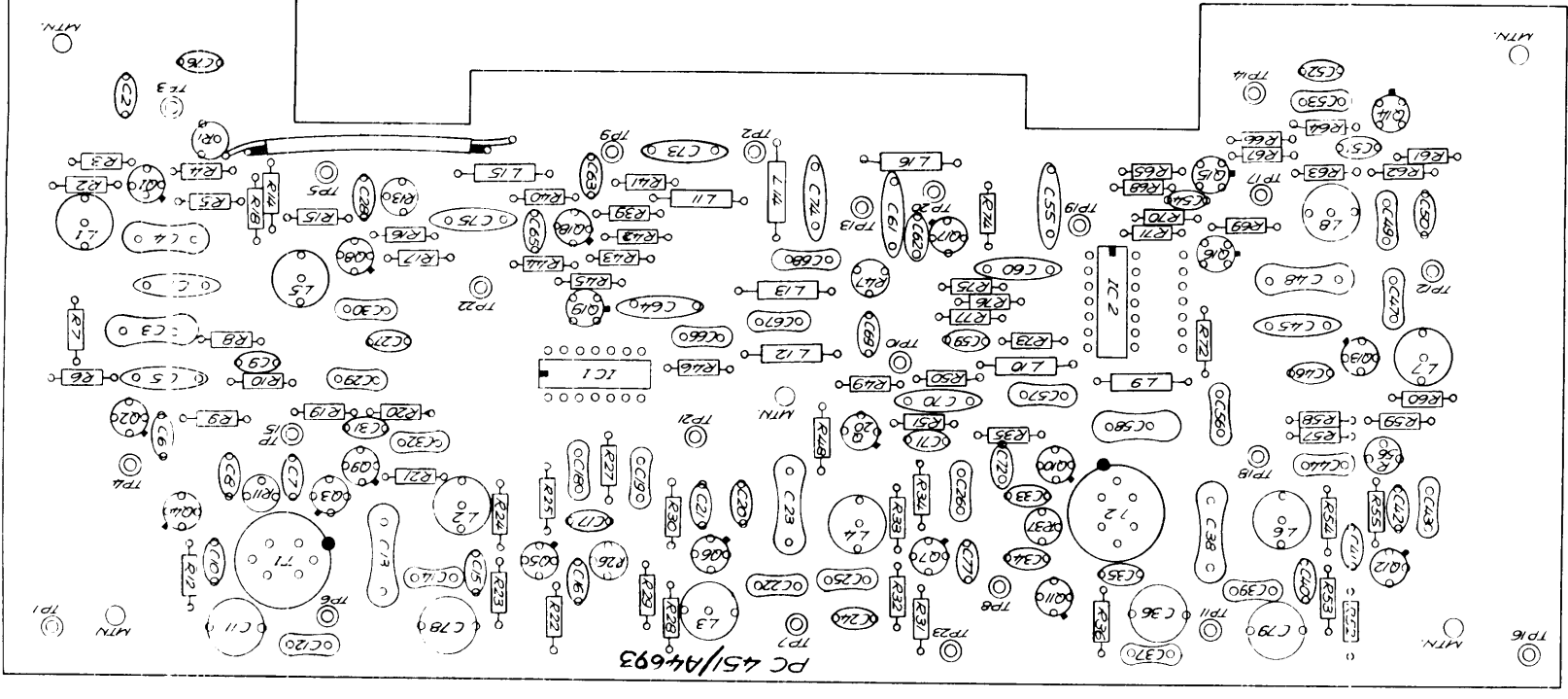
- NOTES UNLESS SPECIFIED OTHERWISE
1. ALL RESISTORS IN OHMS.
  2. ALL DECIMAL VALUE CAPACITORS IN MF.
  3. ALL OTHERS IN PF.
  4. ALL INDUCTANCES IN  $\mu$ H.
  5. PARTIAL REFERENCE DESIGNATIONS SHOWN FOR COMPLETE DESIGNATION PREFIX WITH UNIT NUMBER AND SUBASSEMBLY DESIGNATIONS AS APPLICABLE.

LAST SYMBOL	MISSING SYMBOL
C79	
L10	
Q20	R38
R77	
T2	
TP23	

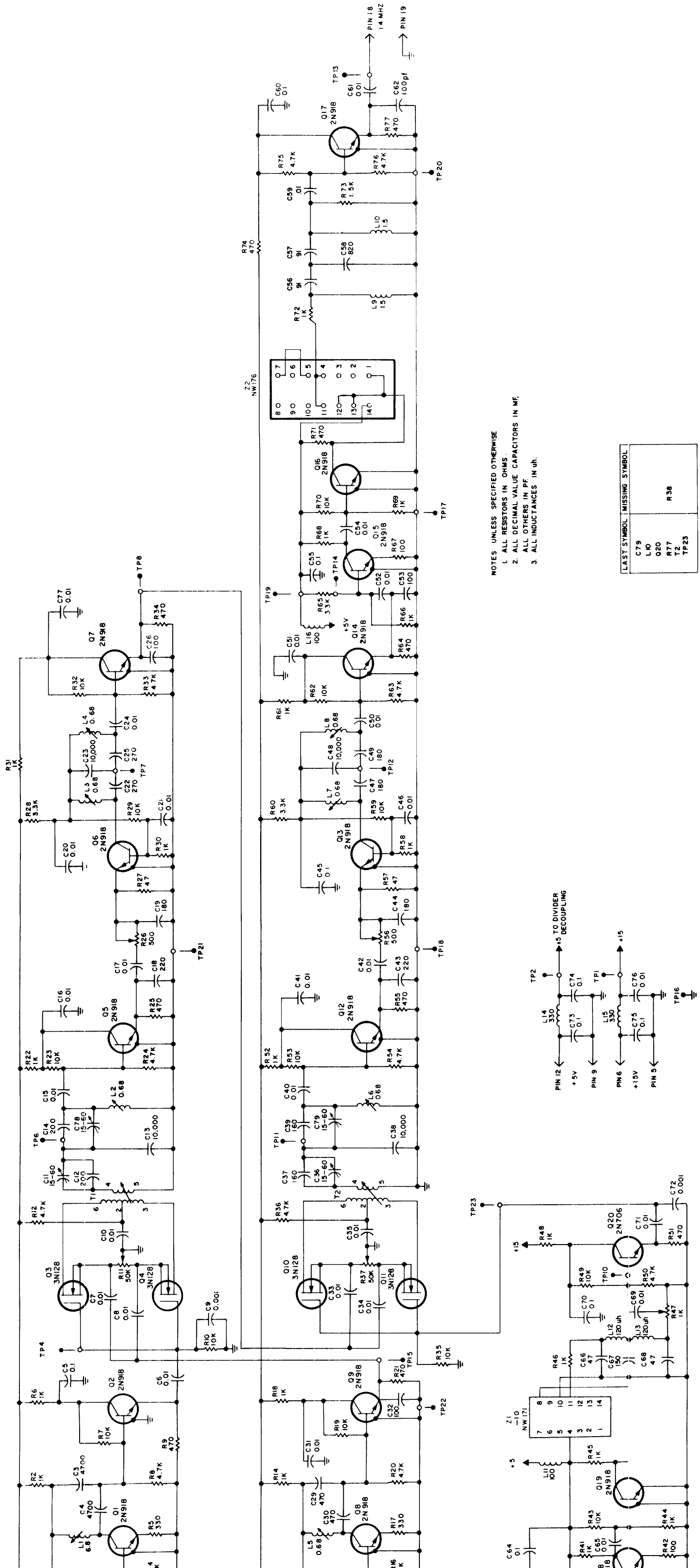


CK 1445

Figure 5-76/5-77. Mixer/Amplifier 3A9, 10, 11, Schematic/Component Locations Diagram  
011690392

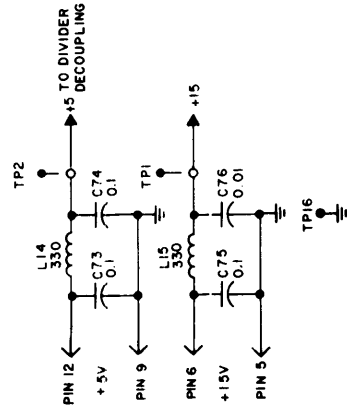


CK 1445



- NOTES UNLESS SPECIFIED OTHERWISE
1. ALL RESISTORS IN OHMS.
  2. ALL DECIMAL VALUE CAPACITORS IN MF.
  3. ALL INDUCTANCES IN  $\mu$ H.

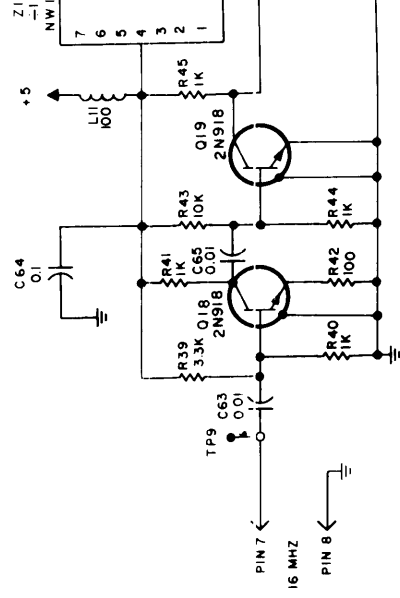
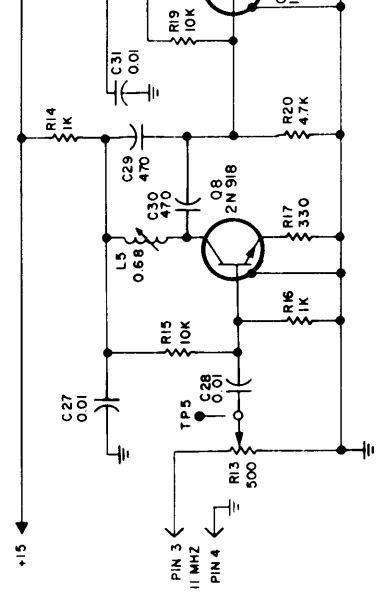
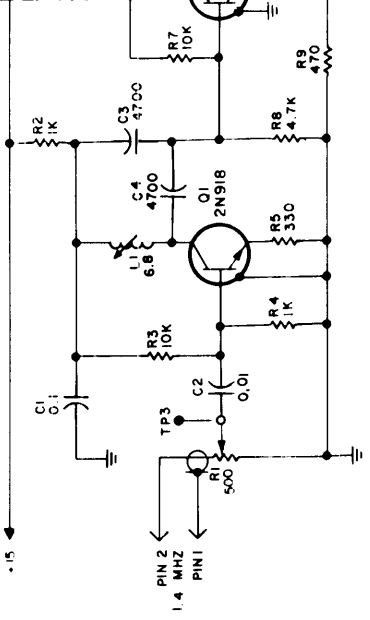
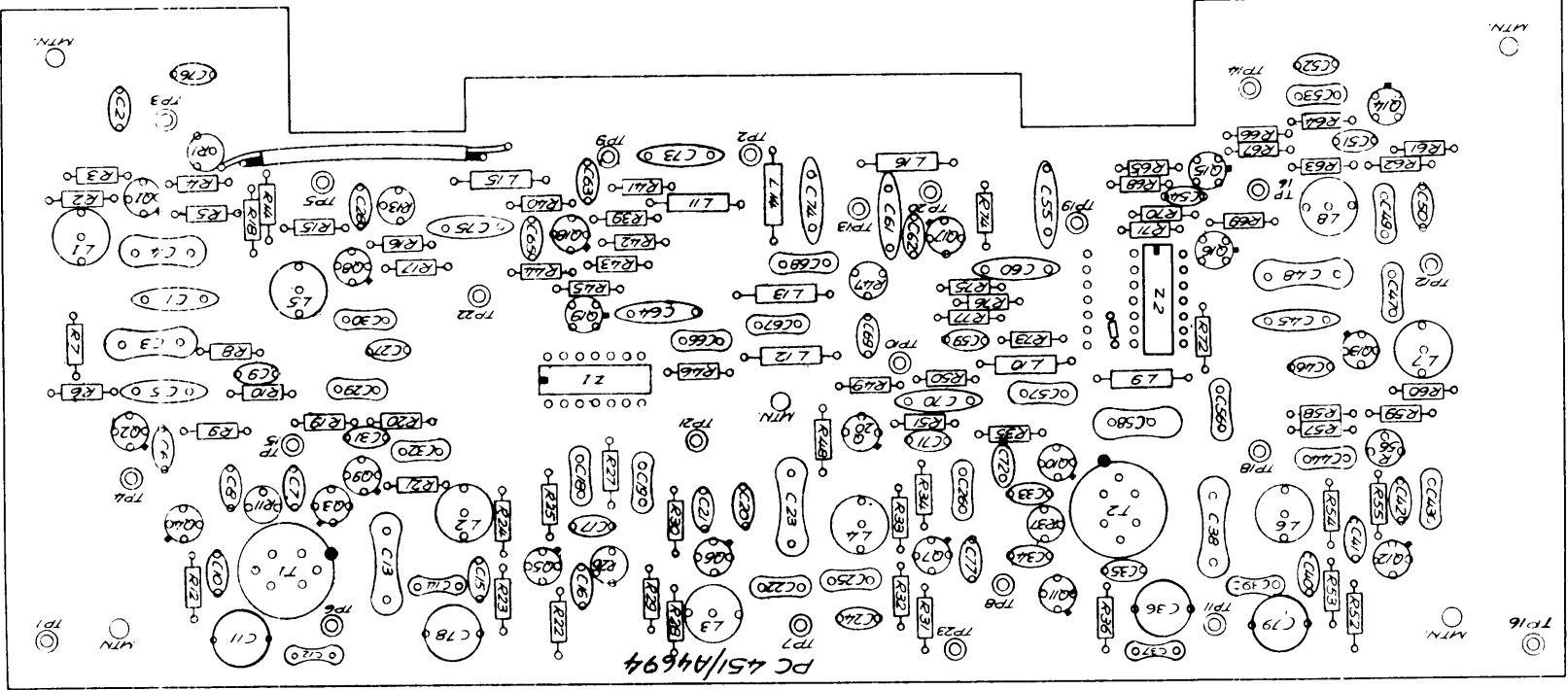
LAST SYMBOL	MISSING SYMBOL
C79	
L10	
Q20	R38
R77	
T2	
TP23	

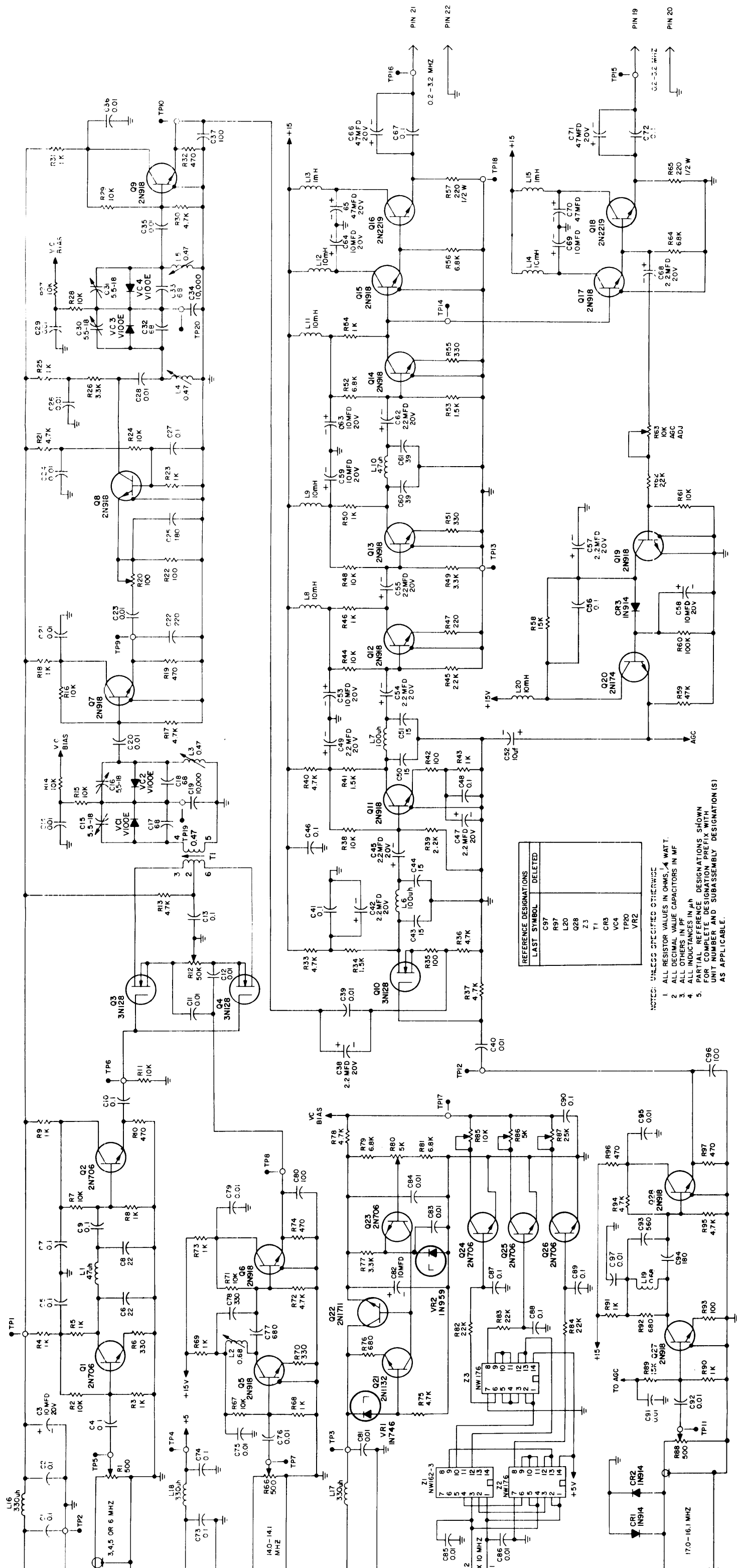


CK 1446

Figure 5-78/5-79. Mixer/Amplifier 3A12, Schematic/Component Locations Diagram

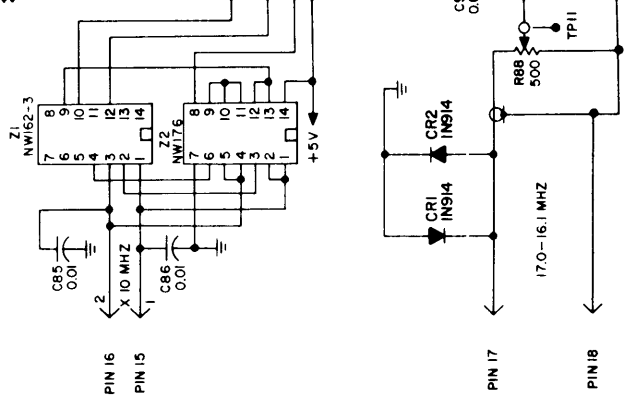
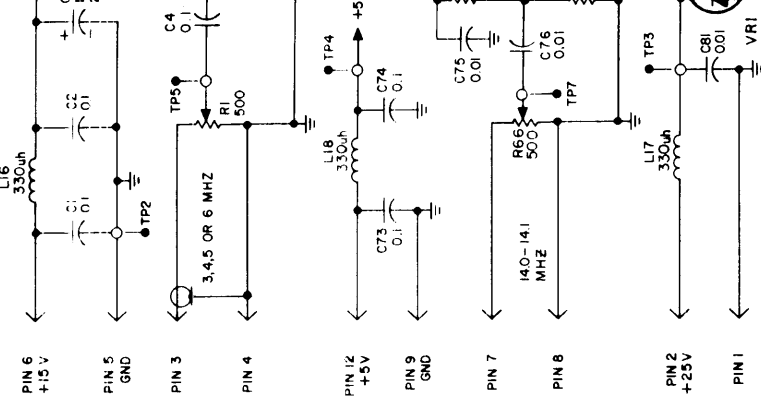
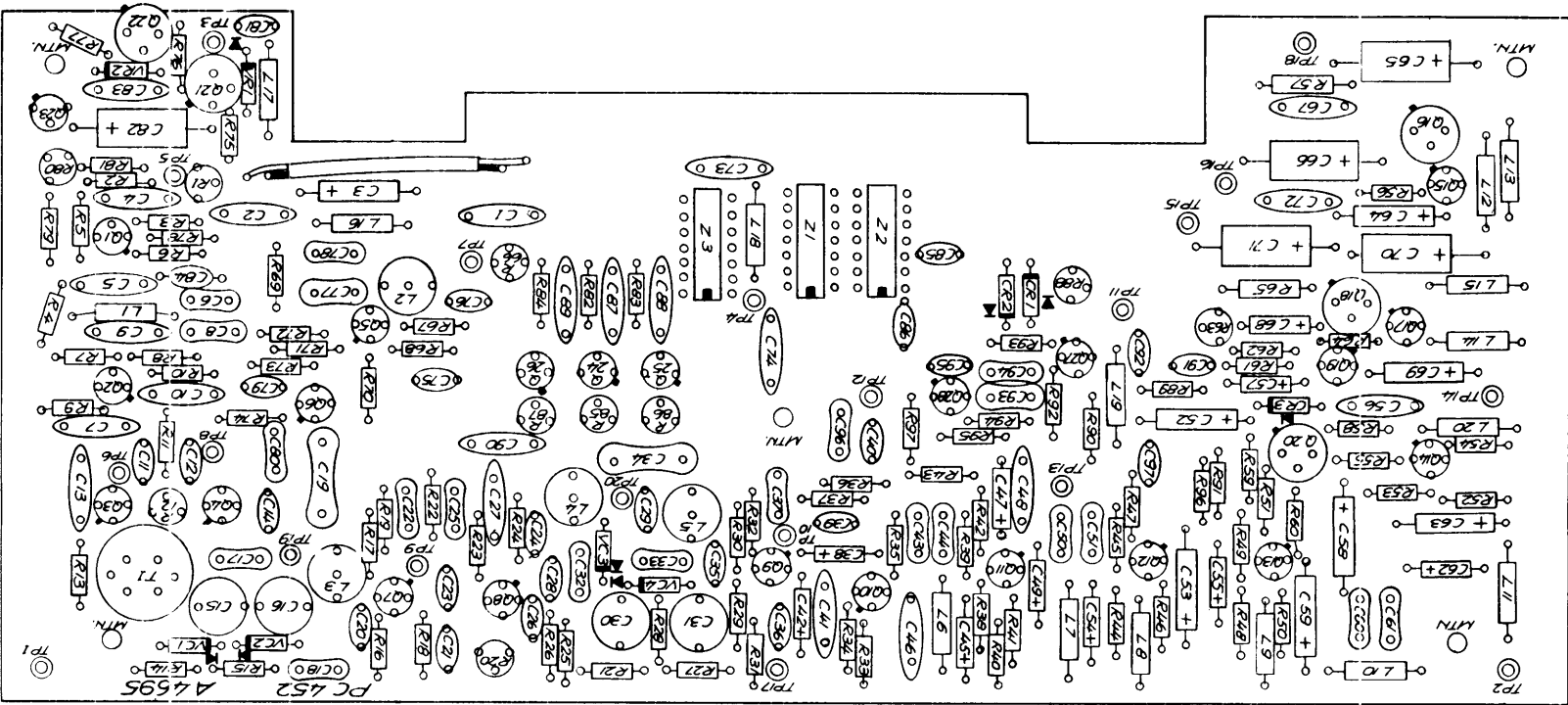


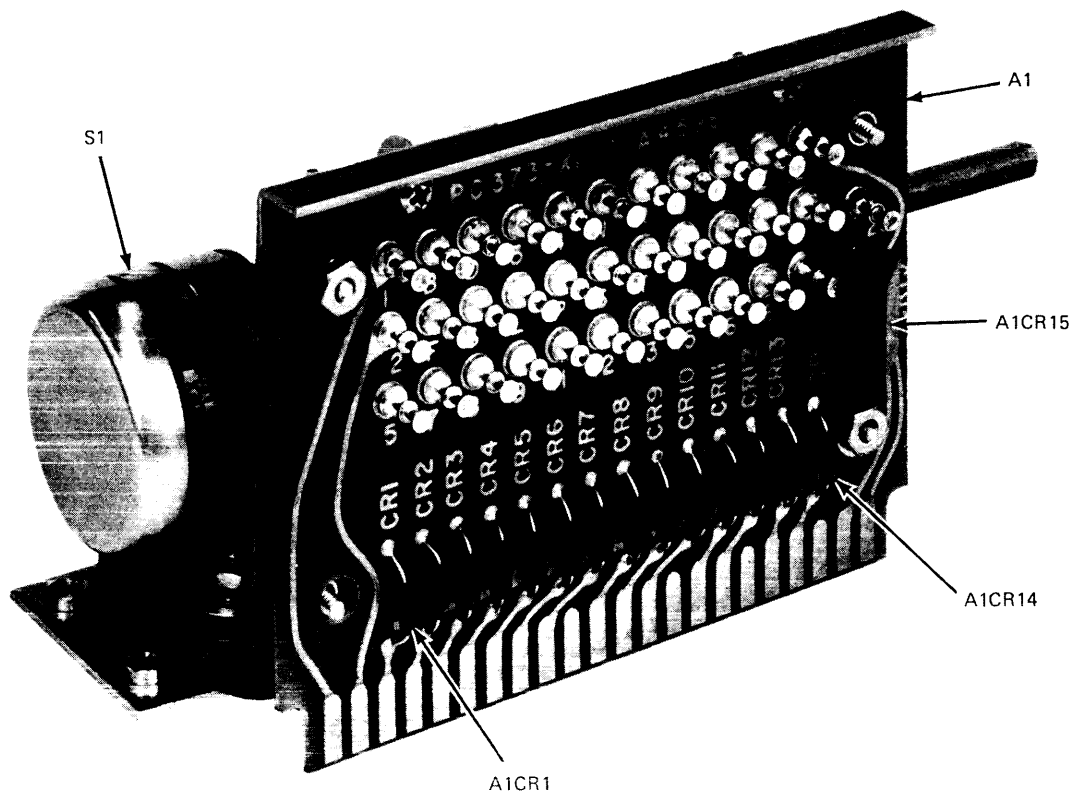




CK 1447

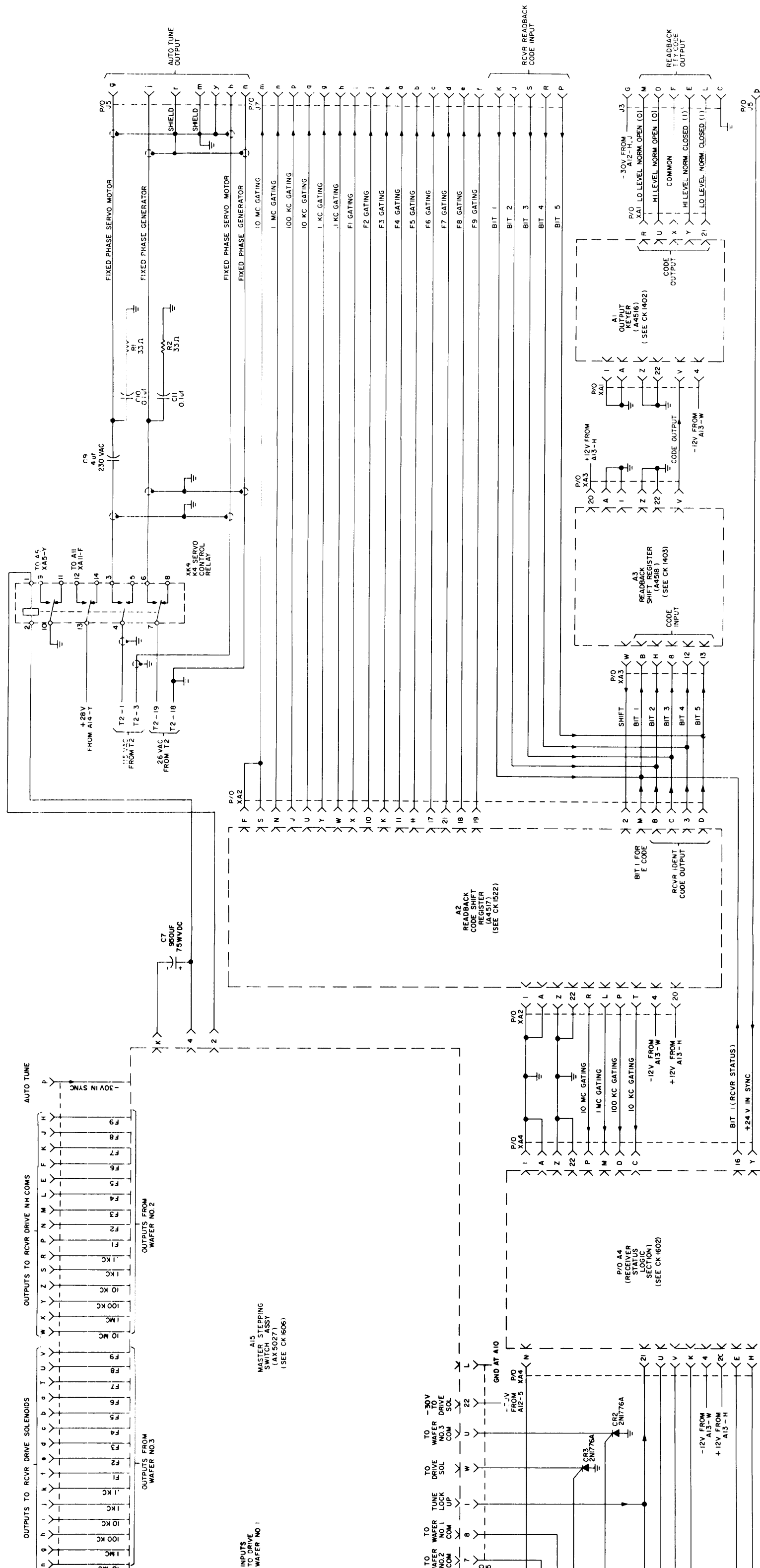
Figure 5-80/5-81. Final Mixer/Output 3A13, Schematic/Component Locations Diagram  
 011690392  
 5-153/5-154





REF DESIG PREFIX 3A14 THRU 3A19  
 REF DESIG PREFIX 3A14 THRU 3A19, 7A14 THRU 7A19

Figure 5-82. MEGACYCLES Stepping Switch Assemblies 3A14 thru 3A19,  
 Component Locations Diagram

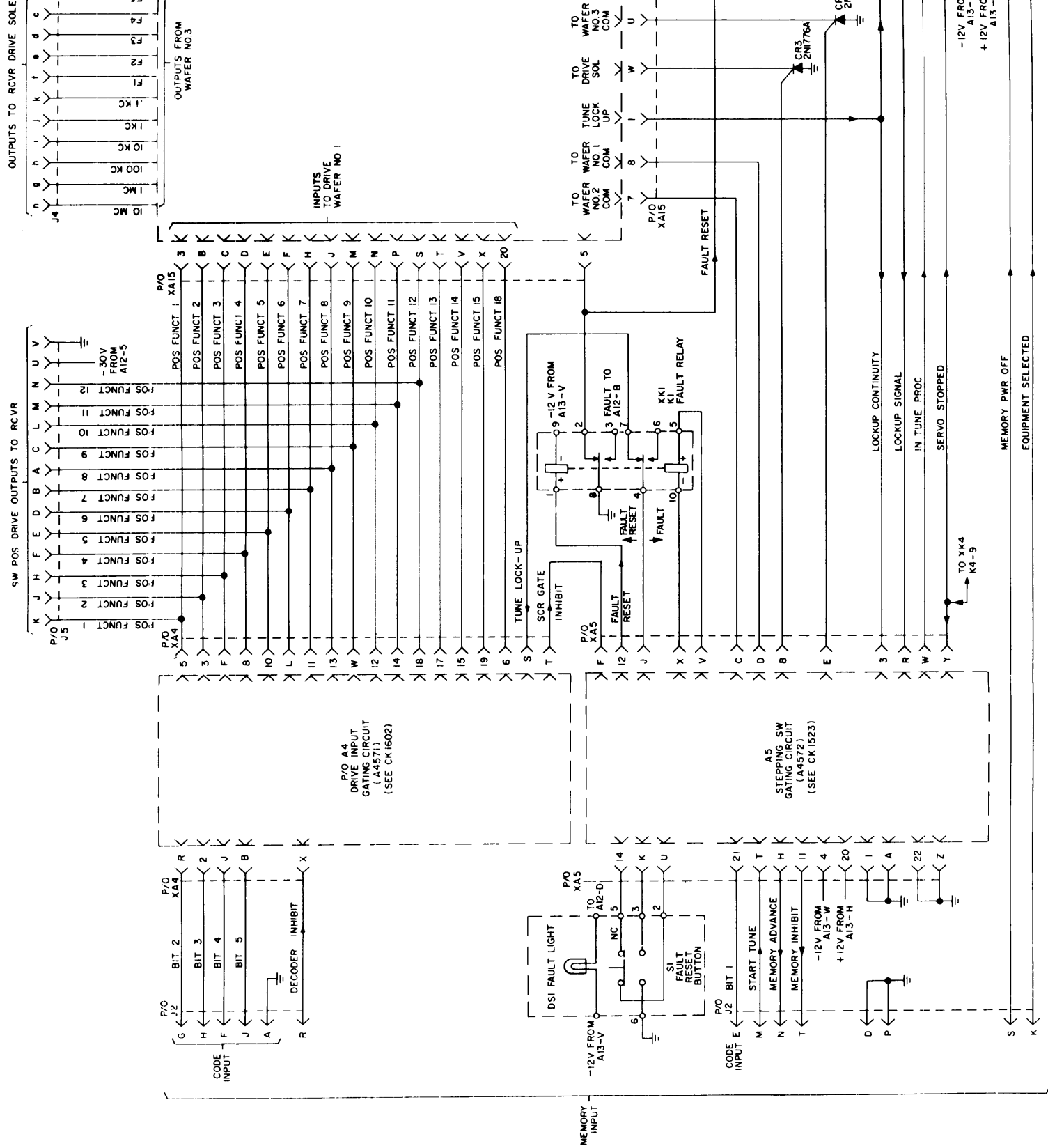


LAST SYMBOL	MISSING SYMBOL
A15	R2
B1	S2
C11	T2
CR3	TB1
DS2	XA15
F2	XDS2
J6	XL2
K4	XL4
OE	

NOTE: UNLESS OTHERWISE SPECIFIED:  
 1. PARTIAL REFERENCE DESIGNATIONS SHOWN.  
 2. COMPLETE DESIGNATION PREFIX WITH UNIT NUMBER AND SUBASSEMBLY DESIGNATION AS APPLICABLE.

Figure 5-83. Unit 4 (KY-661/URR), Schematic Diagram (Sheet 1 of 2)

011690392



CK 1562

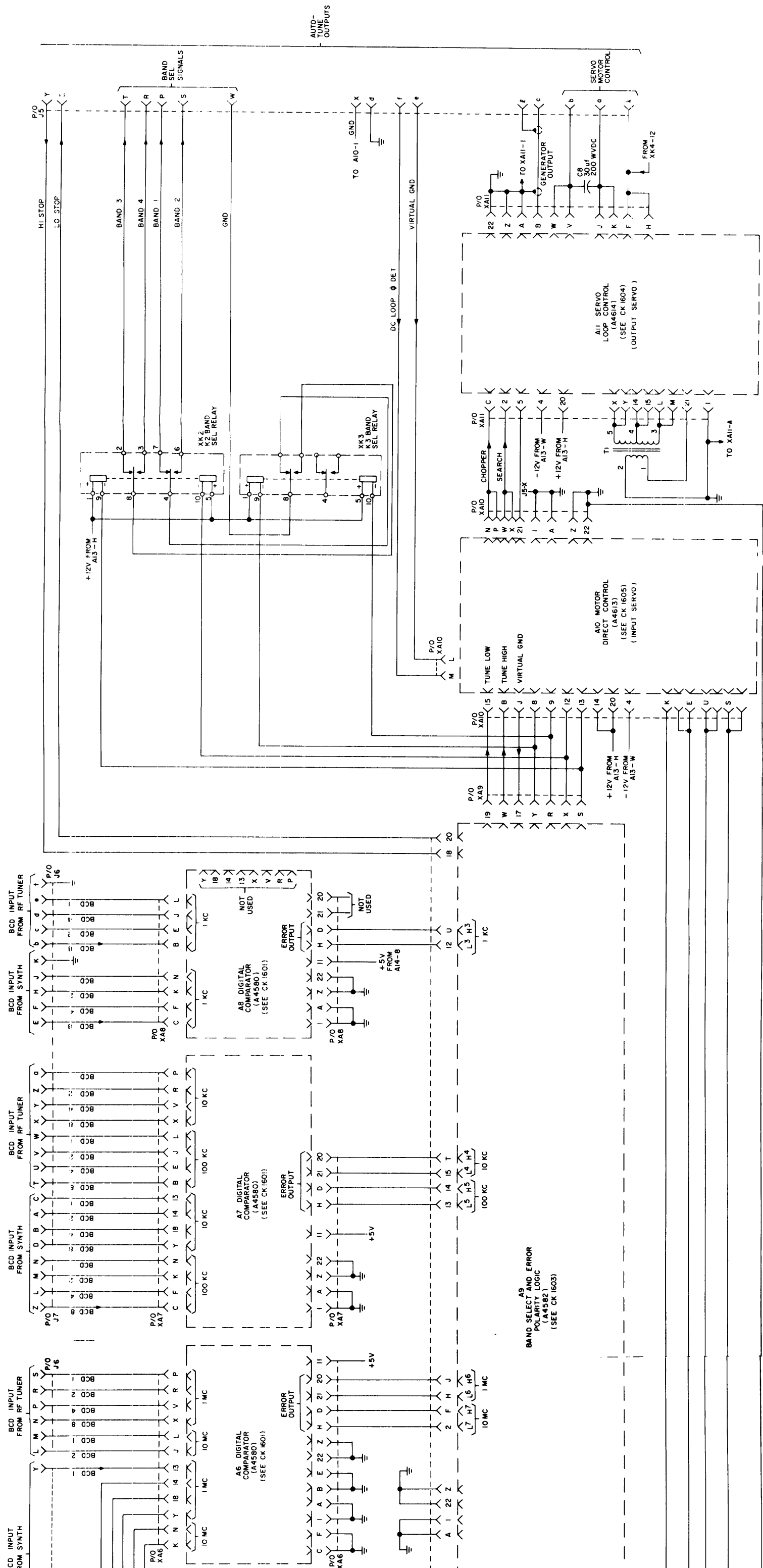
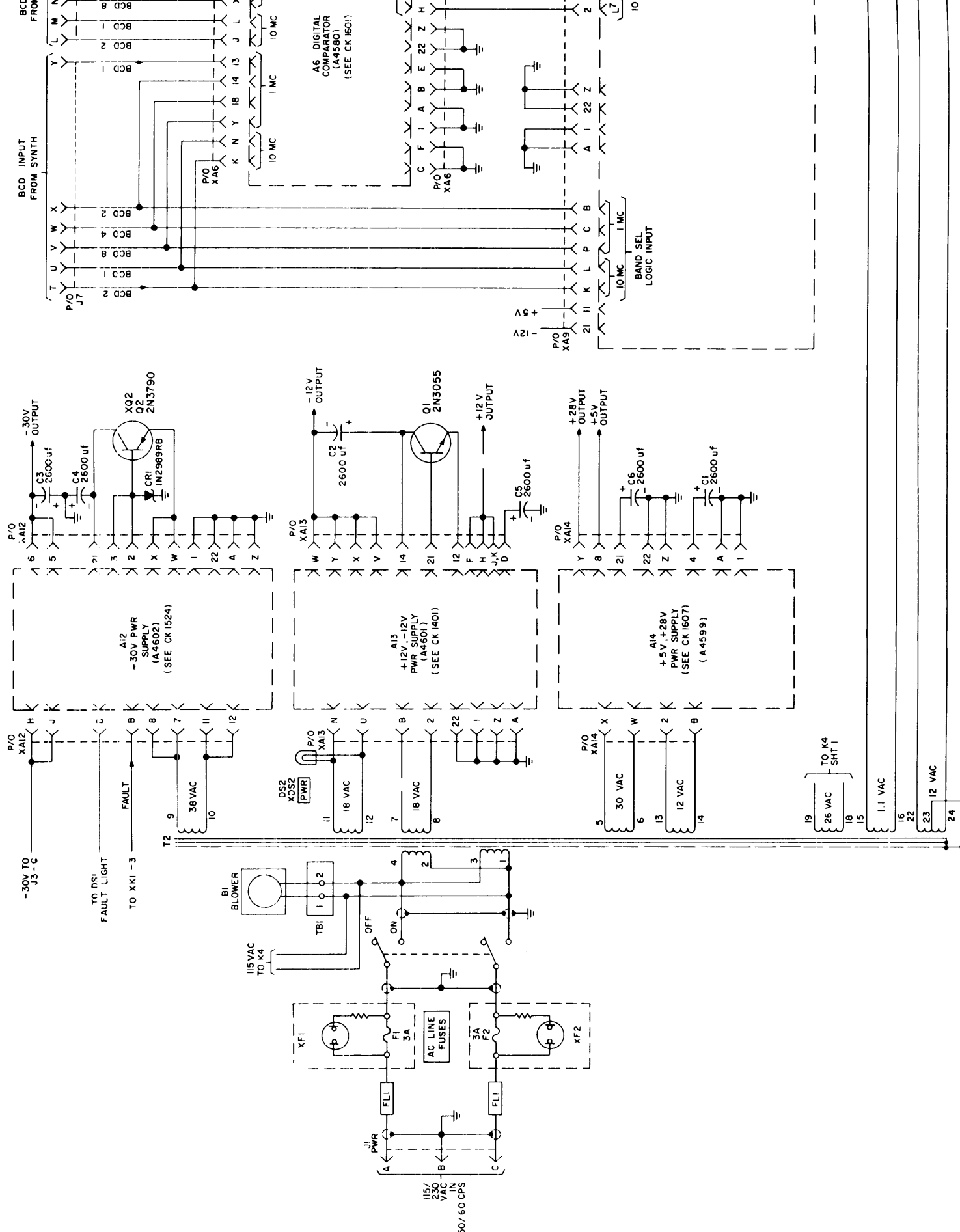


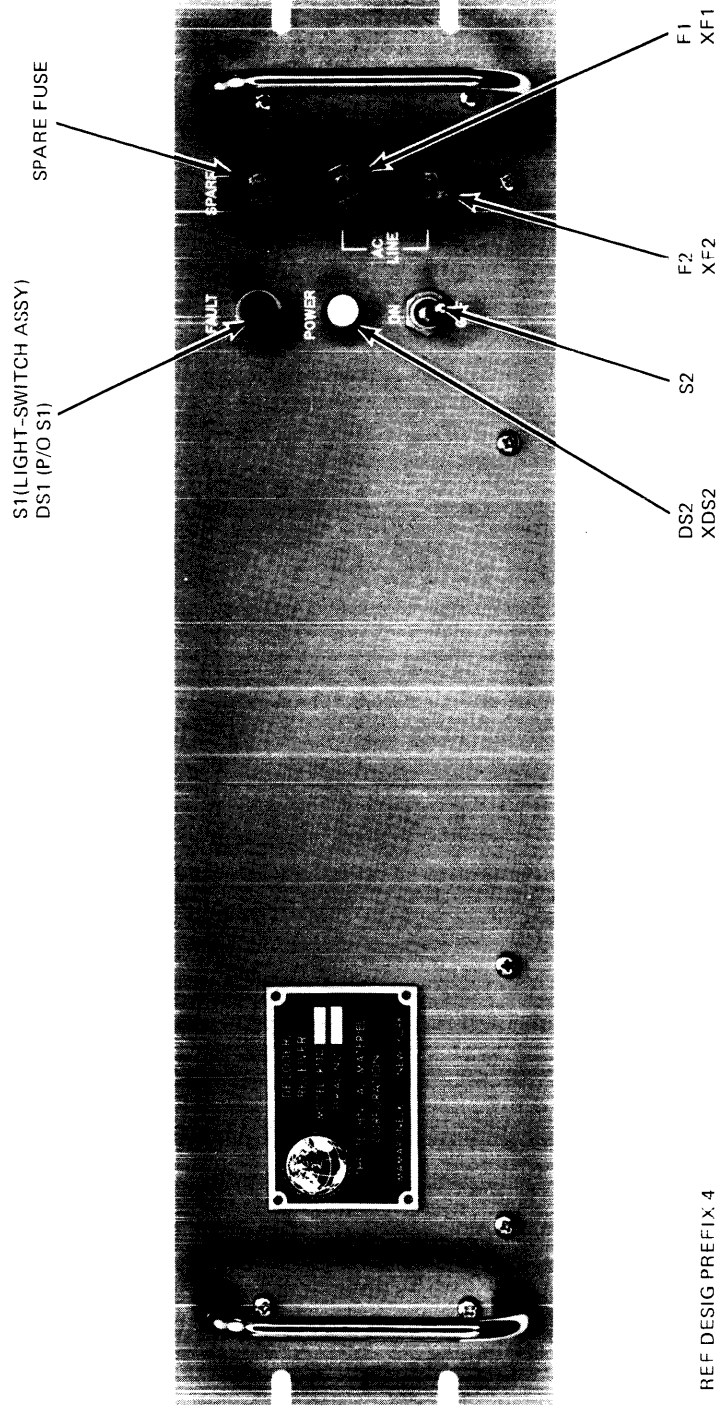
Figure 5-83. Unit 4 (KY-661/URR), Schematic Diagram (Sheet 2 of 2)

011690392



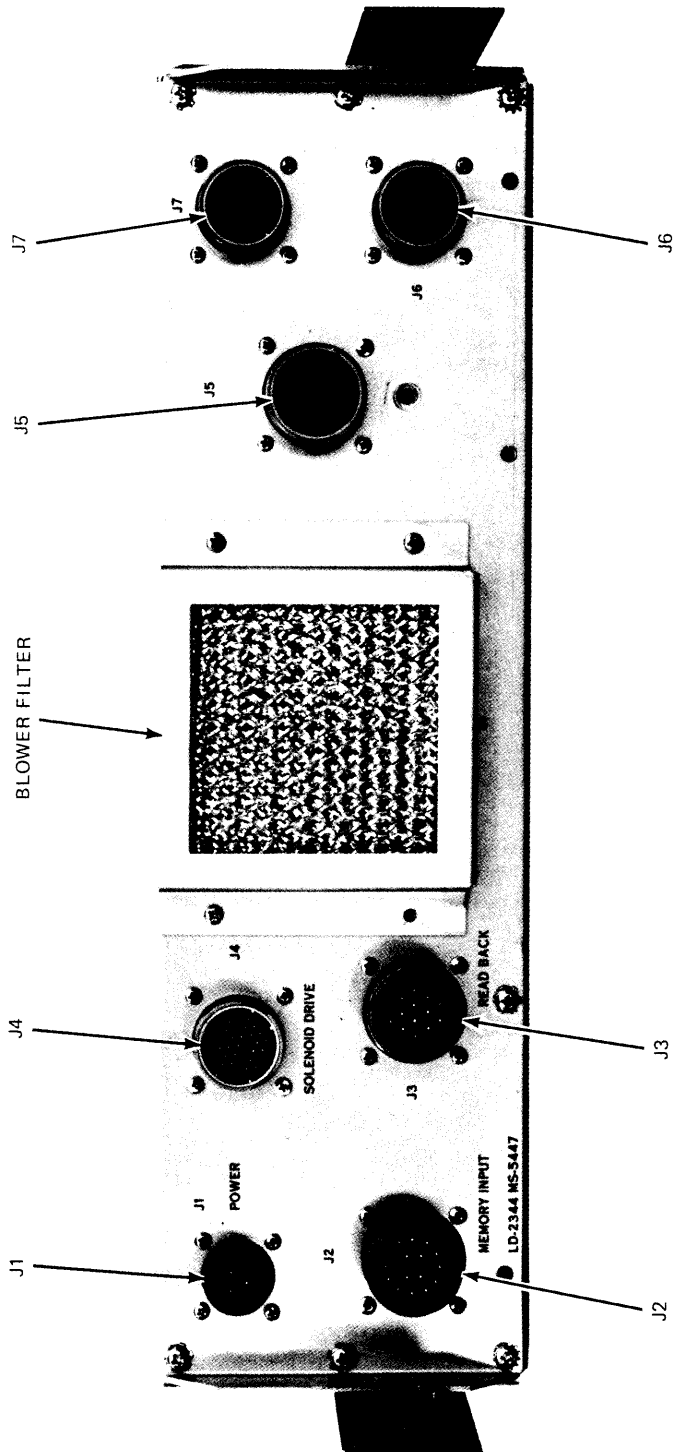
CK 1562





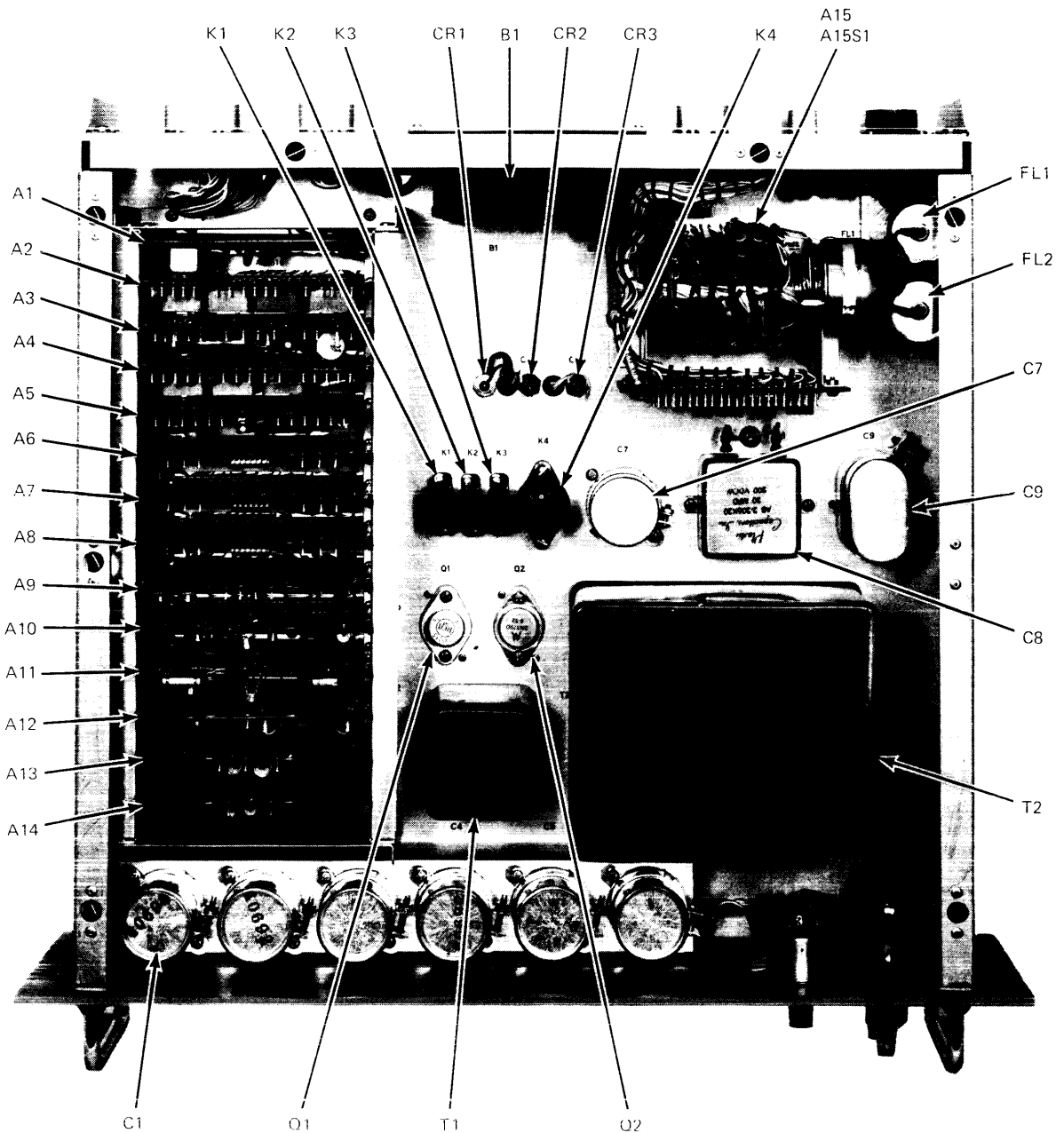
REF DESIG PREFIX 4  
 REF DESIG PREFIX 4,8

Figure 5-84. Unit 4 (KY-661/URR), Front Panel, Major Component Locations Diagram



REF DESIG PREFIX 4  
 REF DESIG PREFIX 4,8

Figure 5-85. Unit 4 (KY-661/URR), Rear Panel, Major Component Locations Diagram



REF DESIG PREFIX 4  
 REF DESIG PREFIX 4, 8

Figure 5-86. Unit 4 (KY-661/URR), Top View, Major Component Locations Diagram  
 011690392

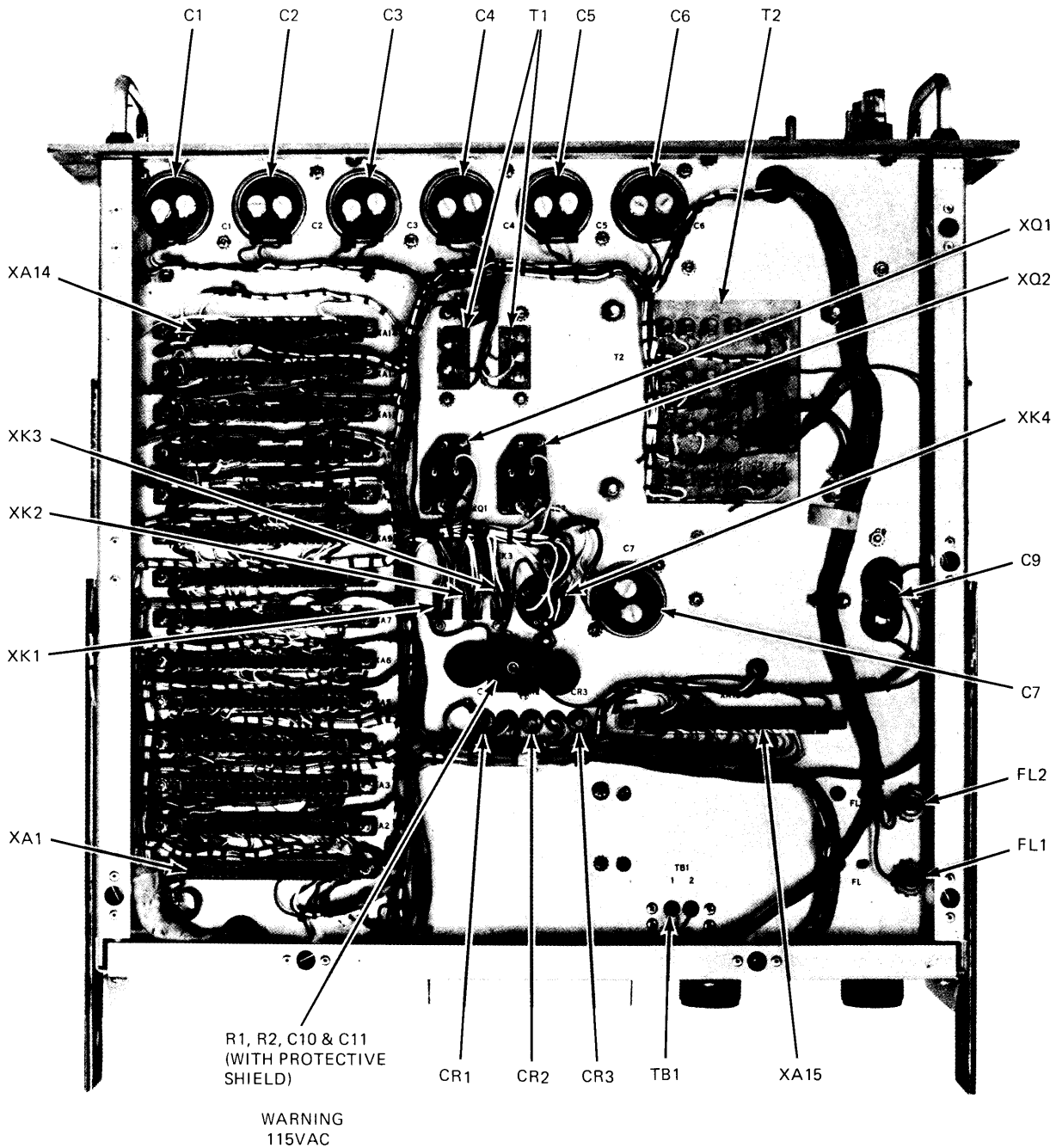
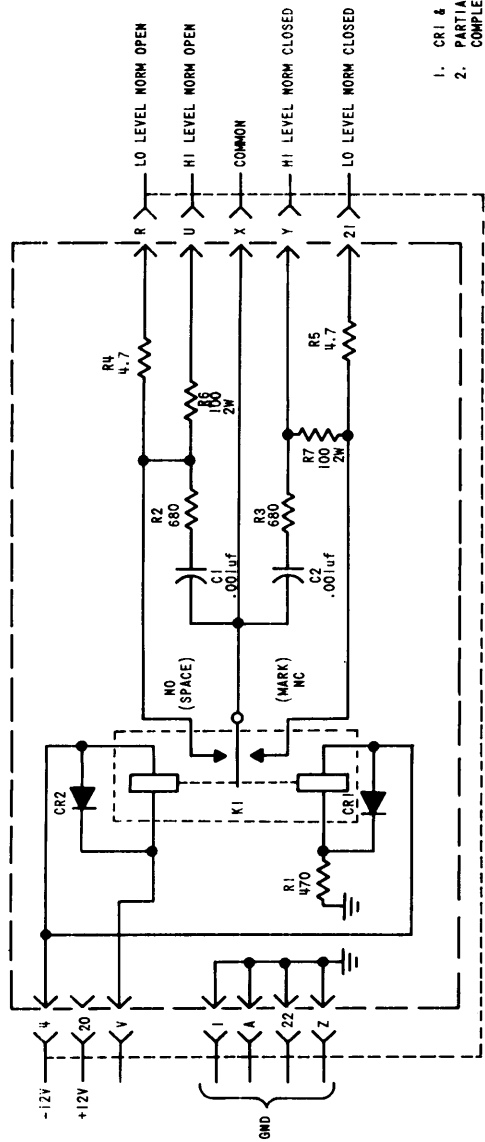
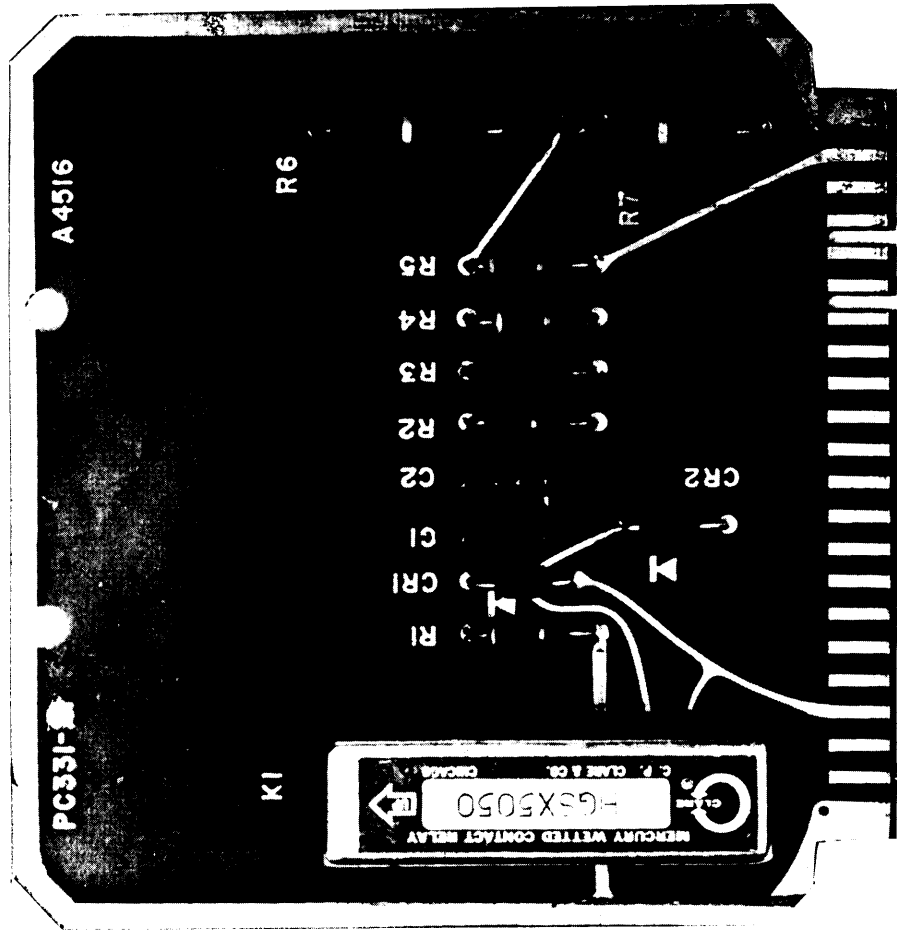


Figure 5-87. Unit 4 (KY-661/URR), Bottom View, Major Component Locations Diagram



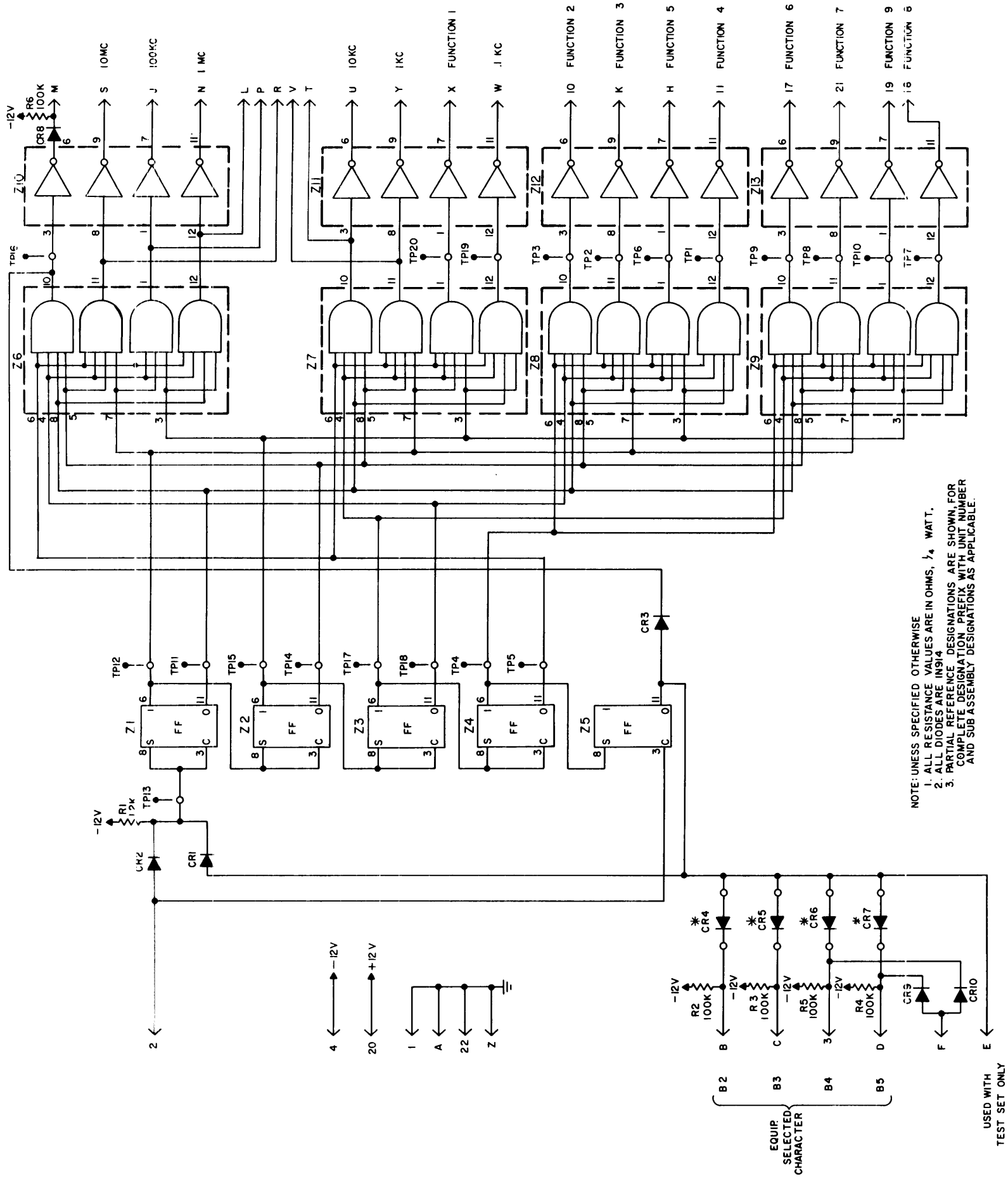
LAST SYMBOLS	MISSING SYMBOLS
C2	
CR2	
K1	
R7	

UNLESS OTHERWISE SPECIFIED  
 1. ALL RESISTORS ARE IN OHMS, 1/2 WATT

NOTES  
 1. CR1 & CR2 ARE TYPE 1N21US  
 2. PARTIAL REFERENCE DESIGNATIONS ARE SHOWN. FOR COMPLETE DESIGNATION, PREFIX WITH UNIT NUMBER & SUB-ASSEMBLY DESIGNATION(S) AS APPLICABLE

CK 1402

Figure 5-88/5-89. Output Keyer 4A1, Schematic/Component Locations Diagram  
 5-165/5-166  
 011690392



NOTE: UNLESS SPECIFIED OTHERWISE  
 1. ALL RESISTANCE VALUES ARE IN OHMS, 1/4 WATT.  
 2. ALL DIODES ARE IN 914  
 3. PARTIAL REFERENCE DESIGNATIONS ARE SHOWN FOR COMPLETE DESIGNATION. PREFIX WITH UNIT NUMBER AND SUB ASSEMBLY DESIGNATIONS AS APPLICABLE.

CK 1522

\* FOR EQUIPMENT CODED A THRU E USE THIS CHART FOR DIODE SELECTION

A THRU E	CR4	CR5	CR6	CR7
1				
2				
3				
4				
5				
6				
7				
8				
9				
10				

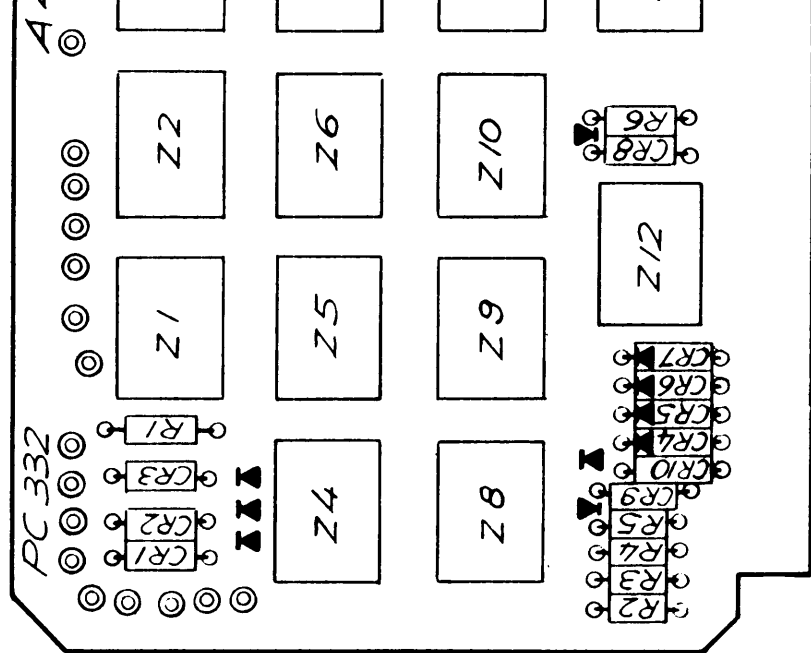
LAST SYMBOL/MISSING SYMBOL	MODULE VOLTAGE	PIN CONNECTION	GND CHART
CR10		+12V	10
R6		-12V	2
TP20		-12V	5
Z15			

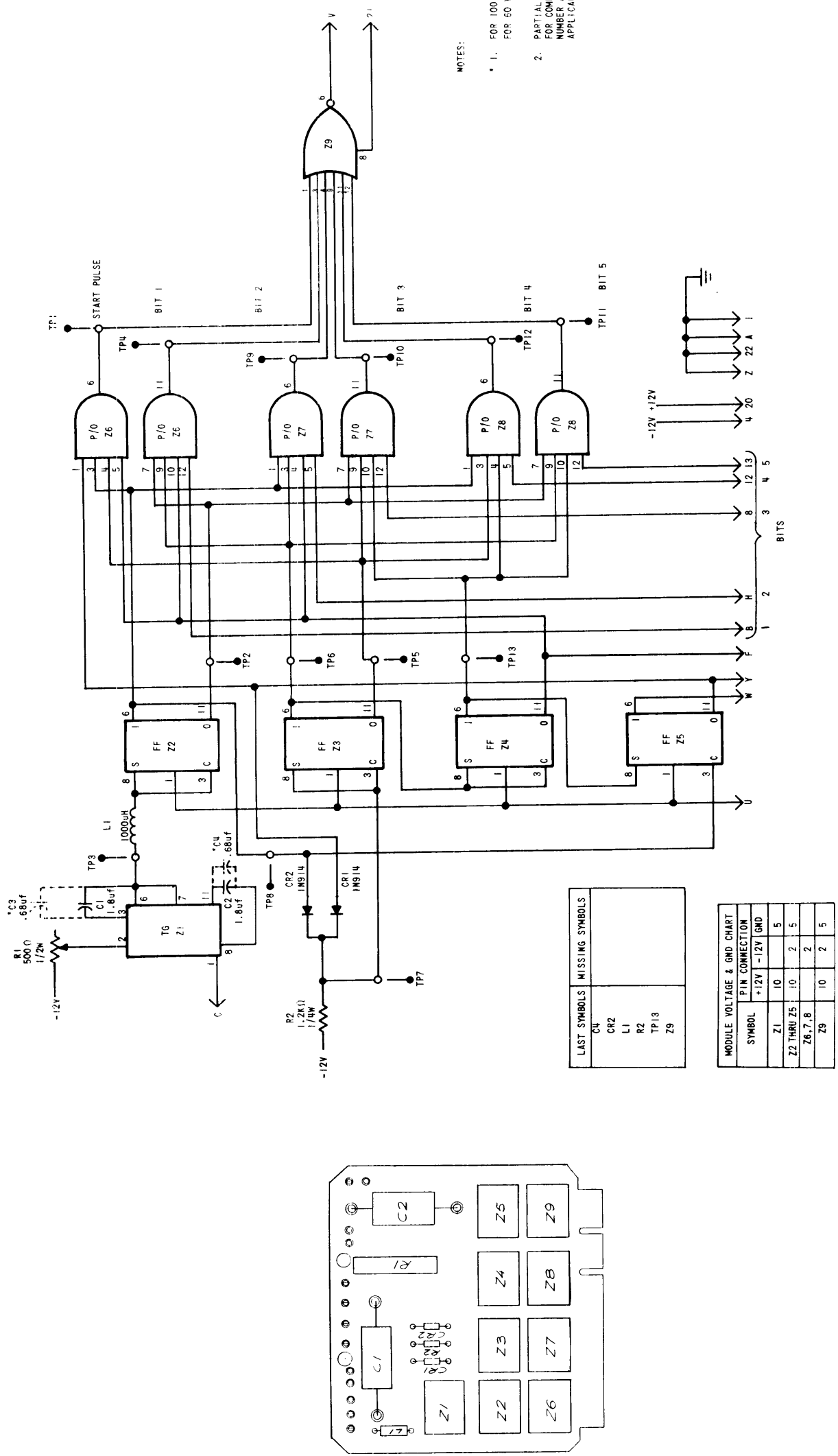
SYMBOL	PIN CONNECTION	GND CHART
Z1 THRU Z5	10	2
Z6 THRU Z9	10	2
Z10 THRU Z13	10	5

Figure 5-90/5-91. Code Shift Register 4A2, Schematic/Component Locations Diagram

011690392

5-167/5-168





NOTES:  
 \* 1. FOR 100 WPM OPERATION, DELETE C3 & C4  
 FOR 60 WPM OPERATION, ADD C3 & C4  
 2. PARTIAL REFERENCE DESIGNATION ARE SHOWN:  
 FOR COMPLETE DESIGNATION, PREFIX WITH UNIT  
 NUMBER AND SUB-ASSEMBLY DESIGNATION(S) AS  
 APPLICABLE

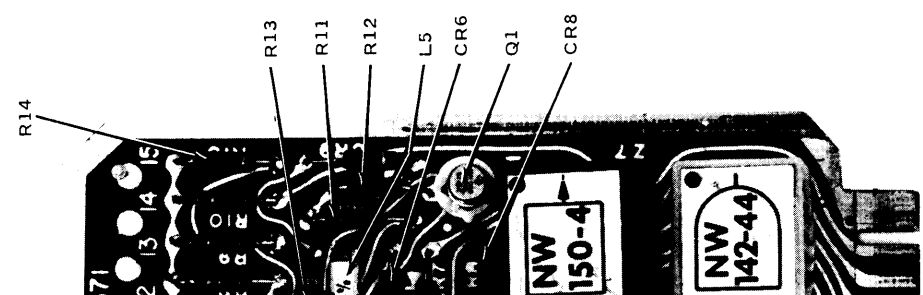
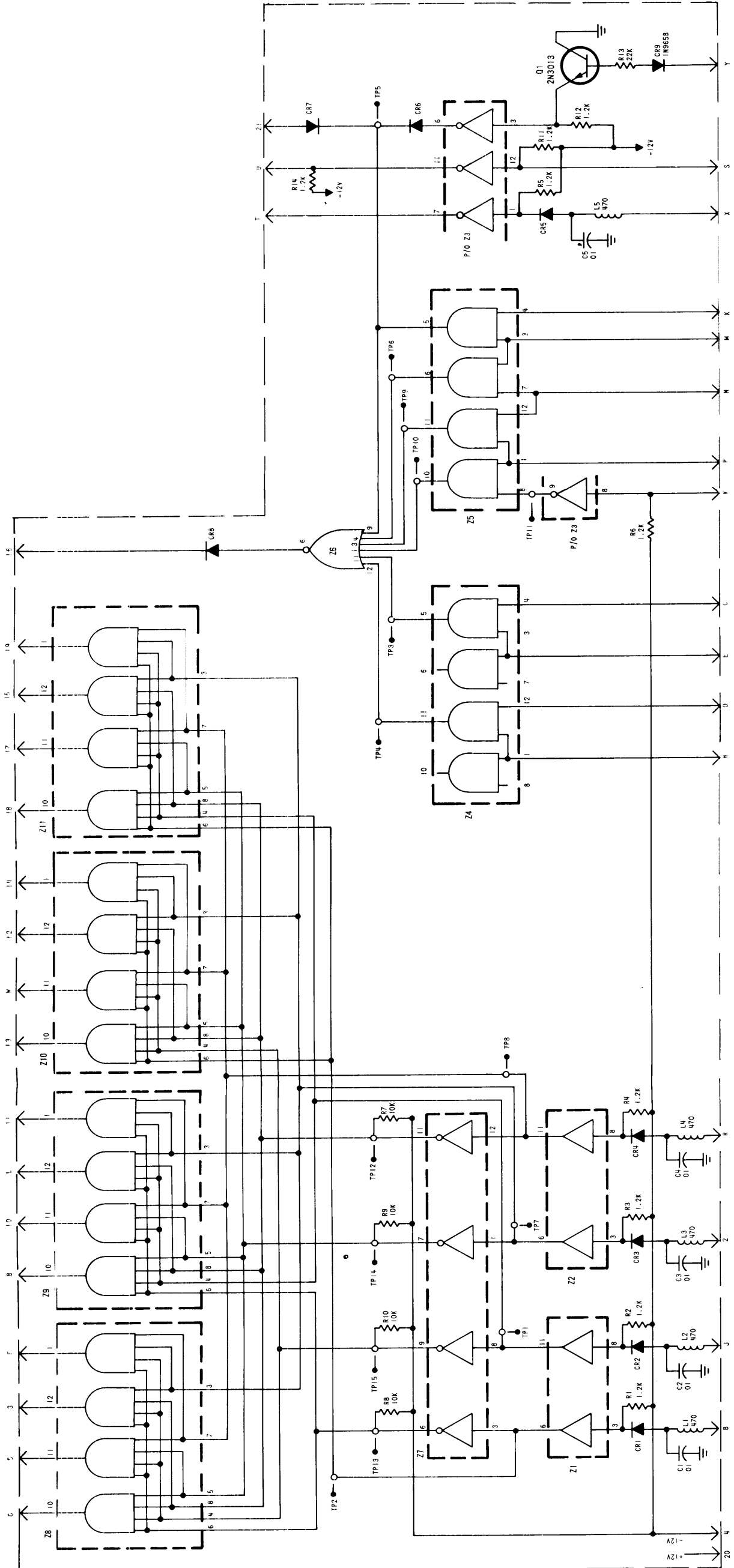
LAST SYMBOLS	MISSING SYMBOLS
C4	
CR2	
L1	
R2	
TP13	
Z9	

MODULE VOLTAGE & GND CHART	
SYMBOL	PIN CONNECTION
Z1	+12V -12V GND
Z2 THRU Z5	10 2 5
Z6,7,8	10 2 2
Z9	10 2 5

CK 1403

Figure 5-92/5-93. Bit Shift Register 4A3, Schematic/Component Locations Diagram  
 5-169/5-170  
 011690392





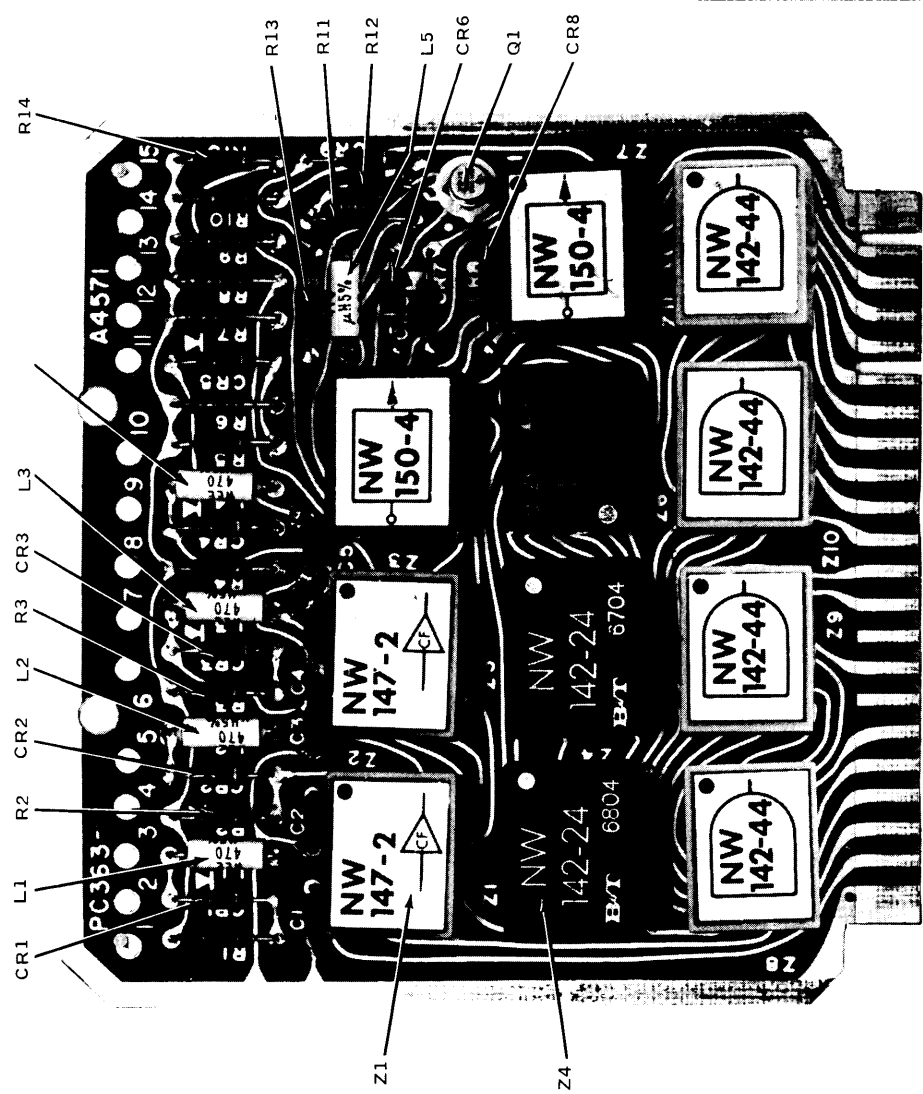
LAST SYMBOL	MISSING SYMBOL
C5	
CR9	
Z11	
Z15	
Z16	
Z17	
Z18	
Z19	
Z20	
Z21	

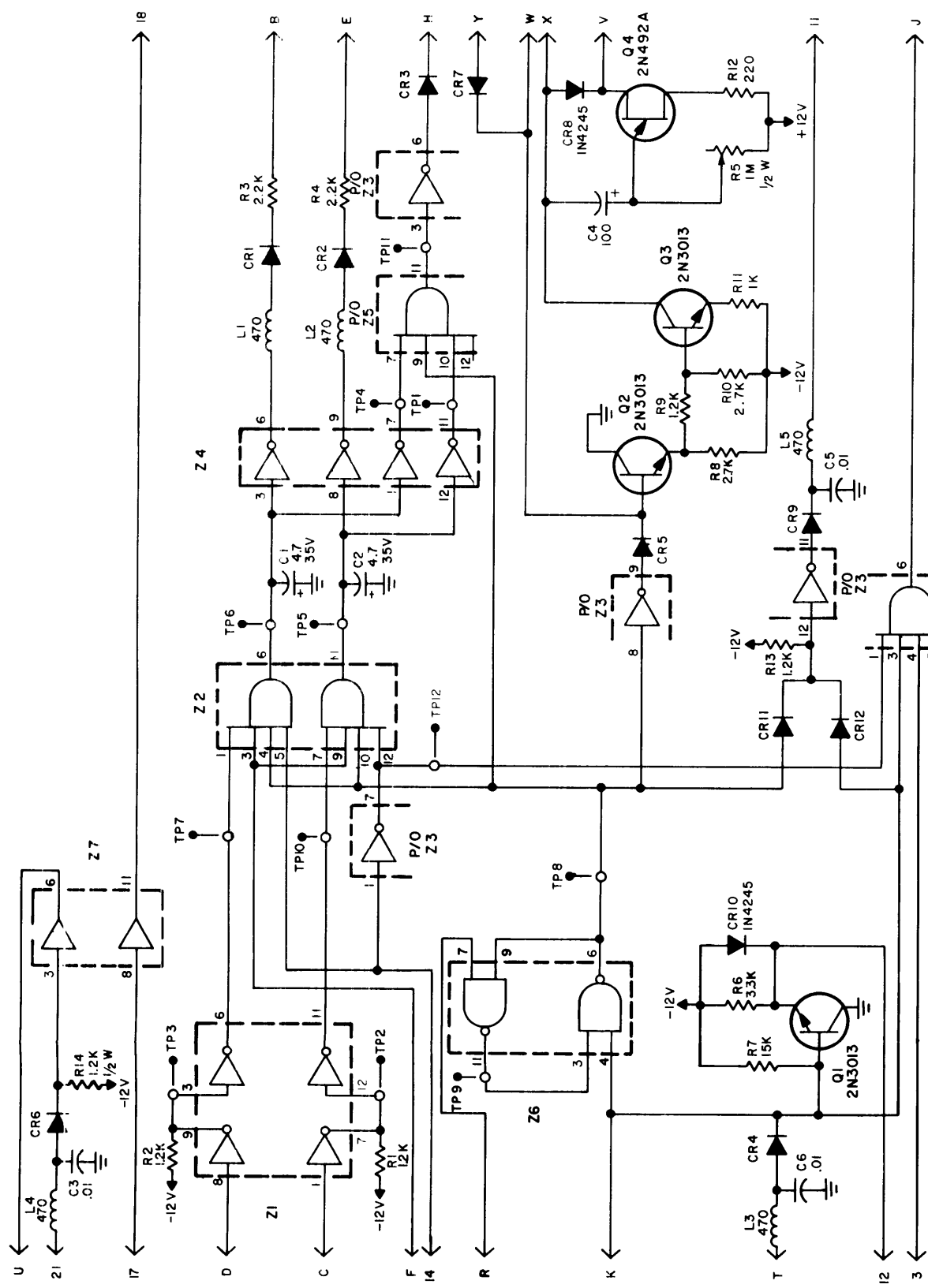
MODULE VOLTAGE & GND. CHART	
SYMBOL	P/W CONNECTIONS
Z1-Z2	+12V -12V GND
Z3-Z7	10 5
Z8-Z9	10 5
Z10-Z13	10 5
Z14-Z17	10 5
Z18-Z21	10 5
Z22-Z25	10 5
Z26	10 5
Z27	10 5
Z28	10 5
Z29	10 5
Z30	10 5
Z31	10 5
Z32	10 5
Z33	10 5
Z34	10 5
Z35	10 5
Z36	10 5
Z37	10 5
Z38	10 5
Z39	10 5
Z40	10 5
Z41	10 5
Z42	10 5
Z43	10 5
Z44	10 5
Z45	10 5
Z46	10 5
Z47	10 5
Z48	10 5
Z49	10 5
Z50	10 5
Z51	10 5
Z52	10 5
Z53	10 5
Z54	10 5
Z55	10 5
Z56	10 5
Z57	10 5
Z58	10 5
Z59	10 5
Z60	10 5
Z61	10 5
Z62	10 5
Z63	10 5
Z64	10 5
Z65	10 5
Z66	10 5
Z67	10 5
Z68	10 5
Z69	10 5
Z70	10 5
Z71	10 5
Z72	10 5
Z73	10 5
Z74	10 5
Z75	10 5
Z76	10 5
Z77	10 5
Z78	10 5
Z79	10 5
Z80	10 5
Z81	10 5
Z82	10 5
Z83	10 5
Z84	10 5
Z85	10 5
Z86	10 5
Z87	10 5
Z88	10 5
Z89	10 5
Z90	10 5
Z91	10 5
Z92	10 5
Z93	10 5
Z94	10 5
Z95	10 5
Z96	10 5
Z97	10 5
Z98	10 5
Z99	10 5
Z100	10 5

UNLESS OTHERWISE SPECIFIED:  
 1. ALL RESISTANCE VALUES ARE IN OHMS, 1/8 WATT  
 2. ALL CAPACITANCE VALUES ARE IN MICROFARADS  
 3. ALL INDUCTANCE VALUES ARE IN MICROHENRIES  
 4. ALL DIODES ARE IN91N  
 NOTE:  
 1. PARTIAL REFERENCE DESIGNATIONS ARE SHOWN FOR COMPLETE DESIGNATION. PREFIX WITH UNIT NUMBER AND SUB-ASSEMBLY DESIGNATION(S) AS APPLICABLE

CK 1602

Figure 5-94/5-95. Drive Input Gating Circuit 4A4, Schematic/Component Locations Diagram  
 011690392





UNLESS OTHERWISE SPECIFIED  
 1. ALL DIODES ARE IN914  
 2. ALL RESISTANCE VALUES ARE IN OHMS, 1/4 W  
 3. ALL CAPACITANCE VALUES ARE IN 1A FARADS  
 4. ALL INDUCTANCE VALUES ARE IN 1A HENRIES

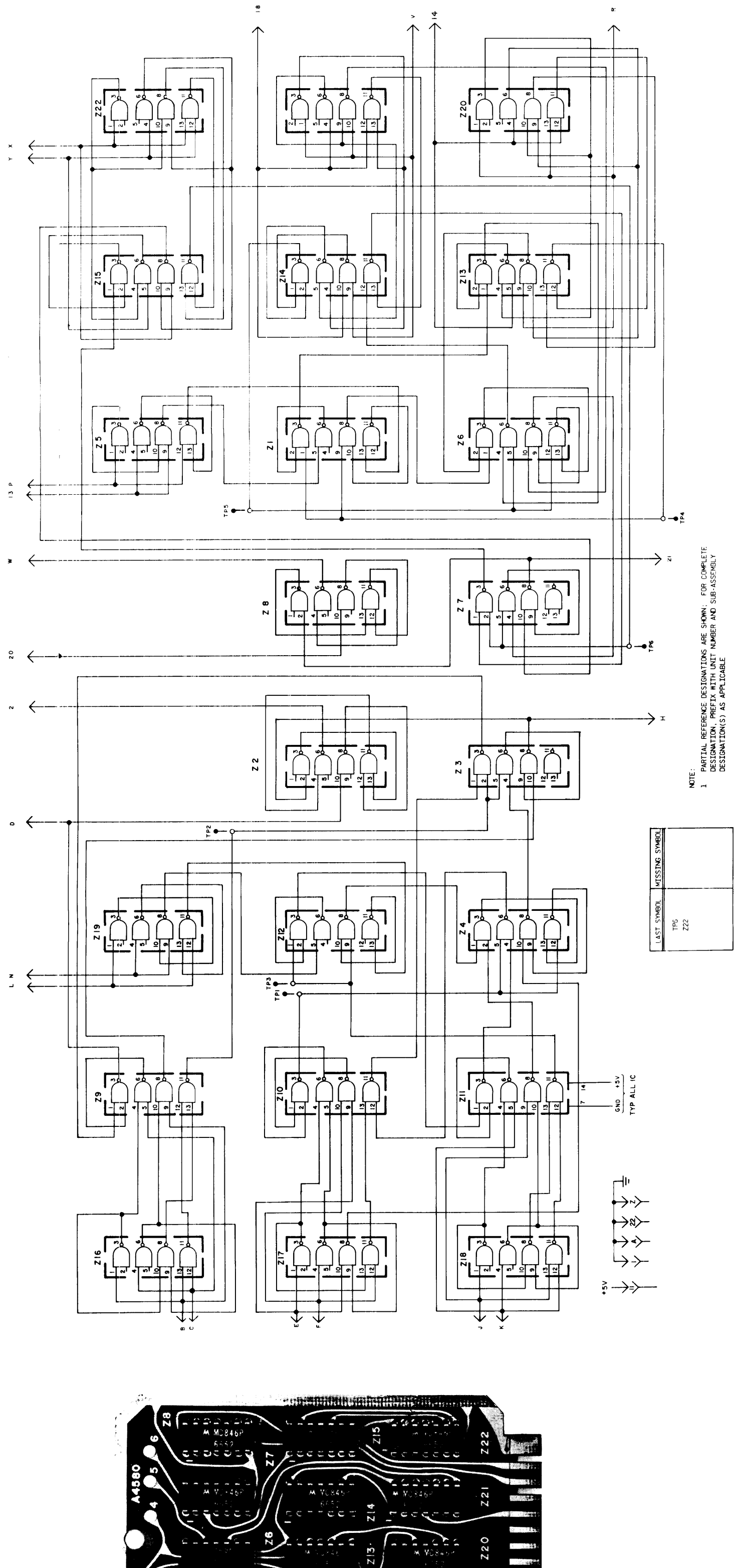
MODULE VOLTAGE	SYMBOL	GND CHART
+12V	Z1, 4, 3	10
-12V	Z2, 2, 5	2
GND	Z6, 7, 6	2
	Z7	5

LAST SYMBOL	MISSING SYMBOL
C6	CR12
L3	Q4
Q4	TP4
TP4	Z7

NOTE:  
 PARTIAL REFERENCE DESIGNATIONS SHOWN,  
 FOR COMPLETE DESIGNATIONS PREFIX WITH  
 UNIT NUMBER AND SUB-ASSEMBLY  
 DESIGNATION(S) AS APPLICABLE

CK 1523

Figure 5-96/5-97. Stepping Switch Gating Circuit 4A5, Schematic/Component Locations Diagram  
 011690392



NOTE:  
 1. PARTIAL REFERENCE DESIGNATIONS ARE SHOWN. FOR COMPLETE DESIGNATION, PREFIX WITH UNIT NUMBER AND SUB-ASSEMBLY DESIGNATION(S) AS APPLICABLE.

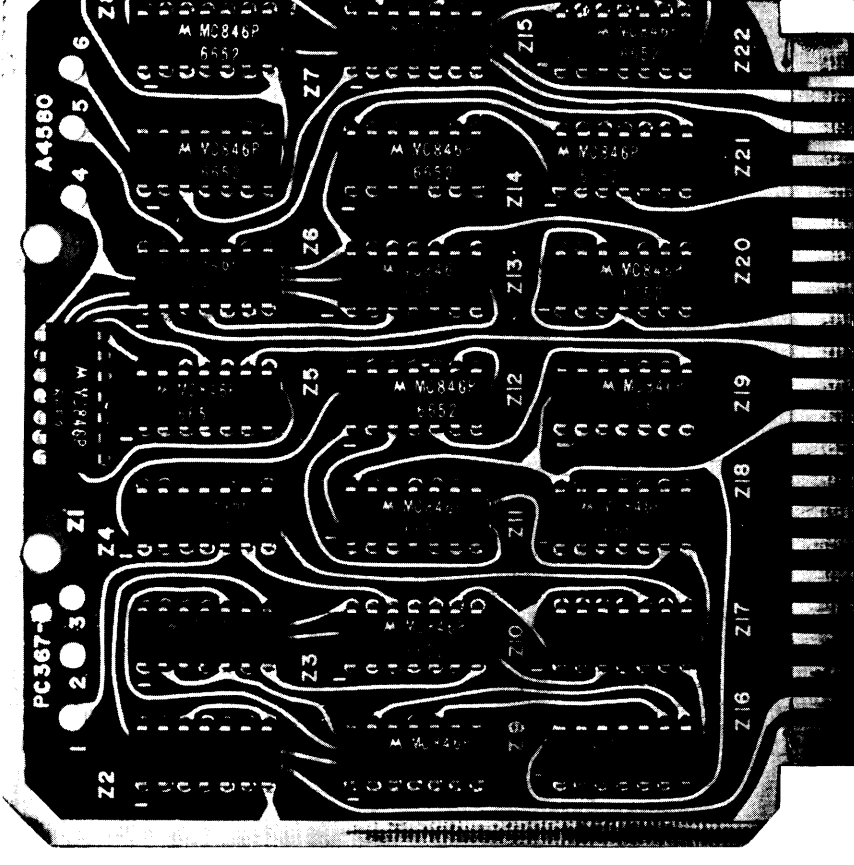
LAST SYMBOL	MISSING SYMBOL
TP5	
Z22	

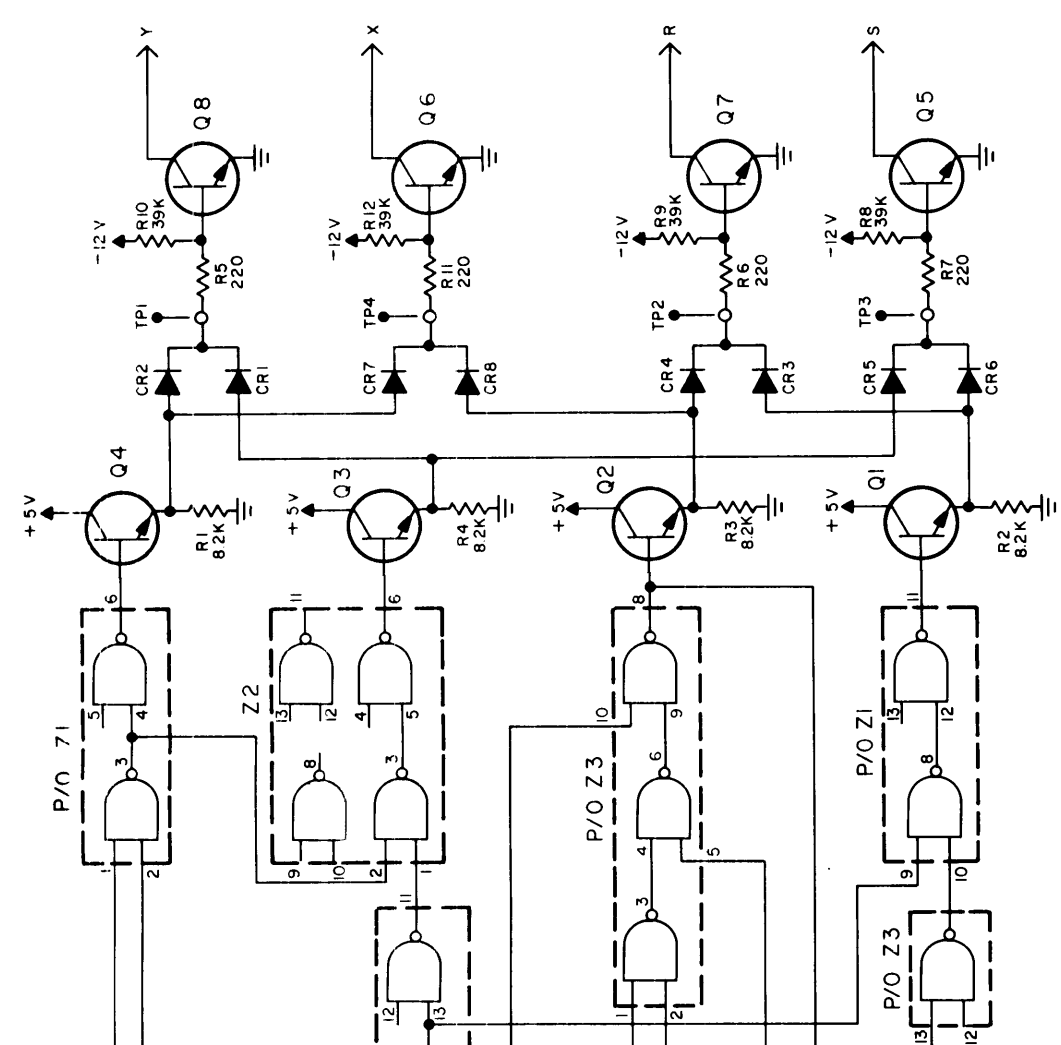
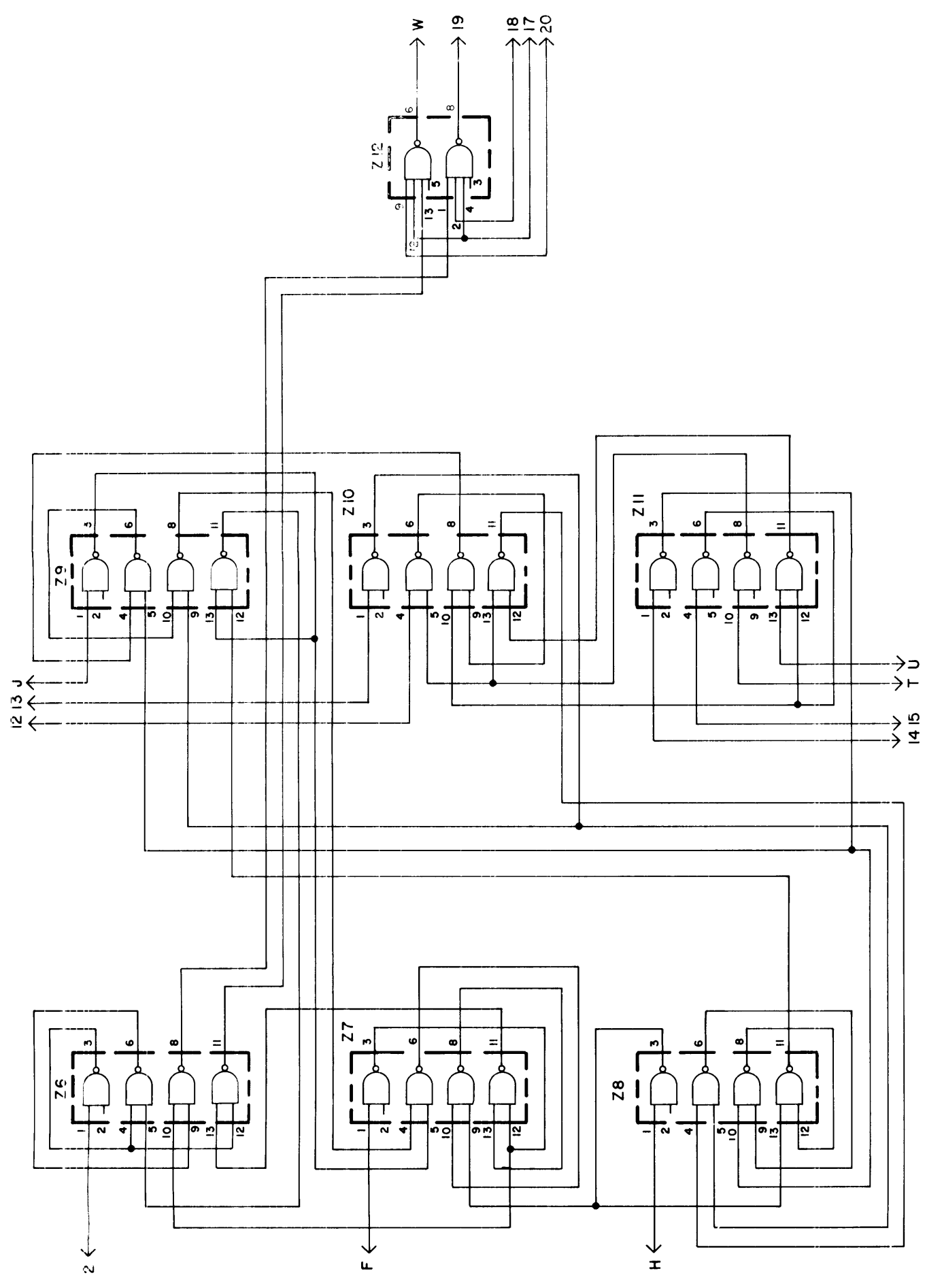
CK 1601

Figure 5-98/5-99. Digital Comparator 4A6, 7, 8, Schematic/Component Locations Diagram

011690392

5-175/5-176





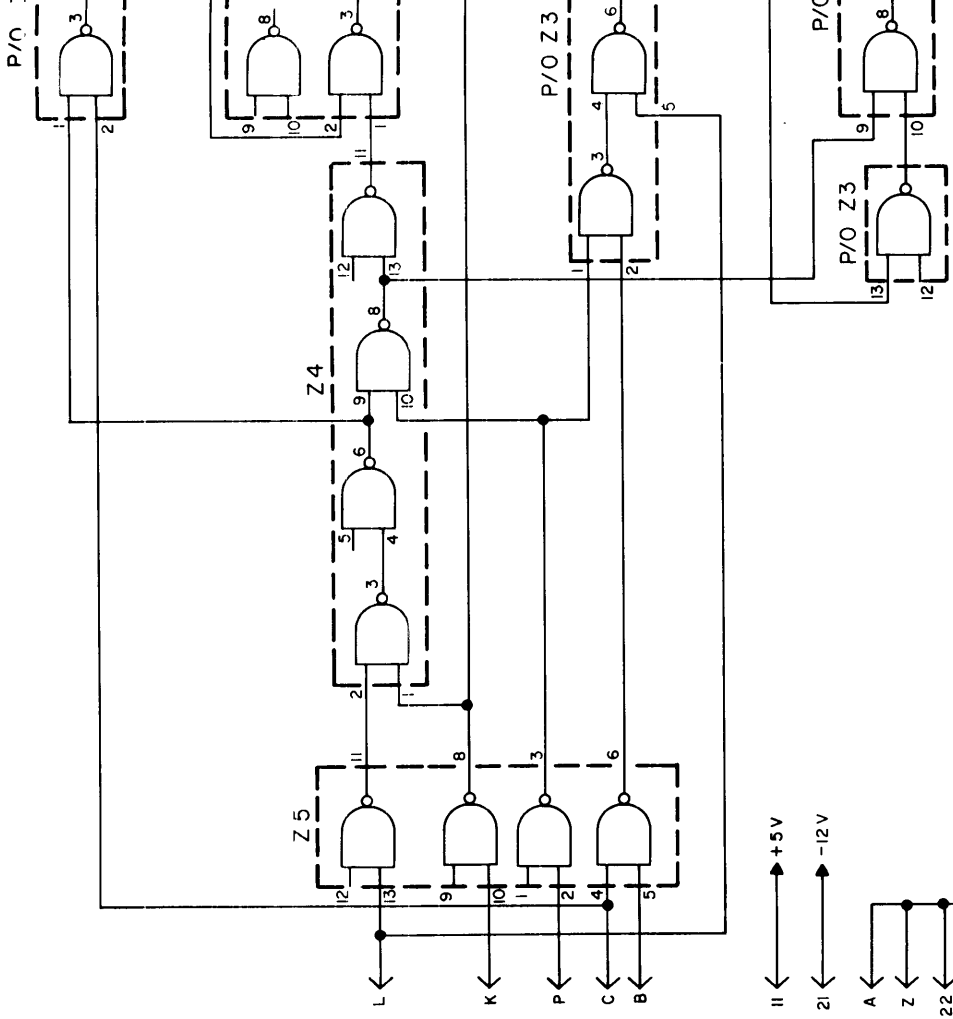
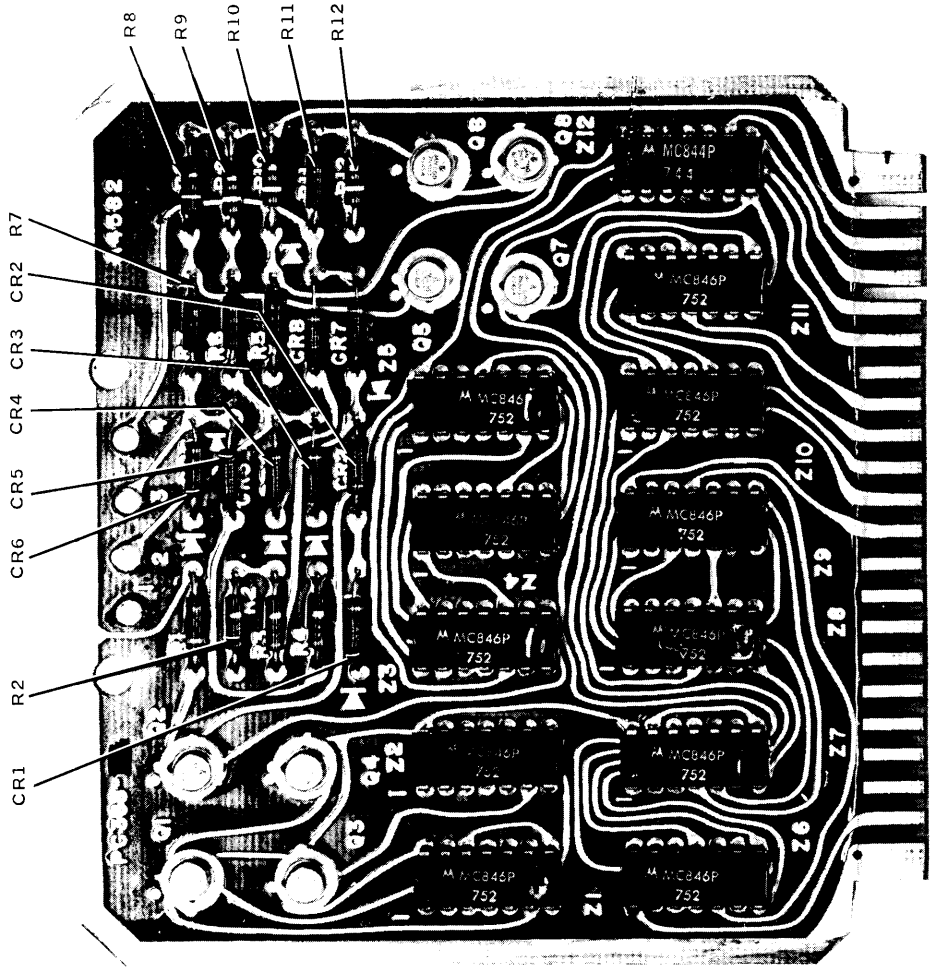
CK 1603

Figure 5-100/5-101. Band Select/Error Polarity Logic 4A9, Schematic/Component Locations Diagram

011690392

5-177/5-178

WV.  
UNIT NUMBER  
CABLE.

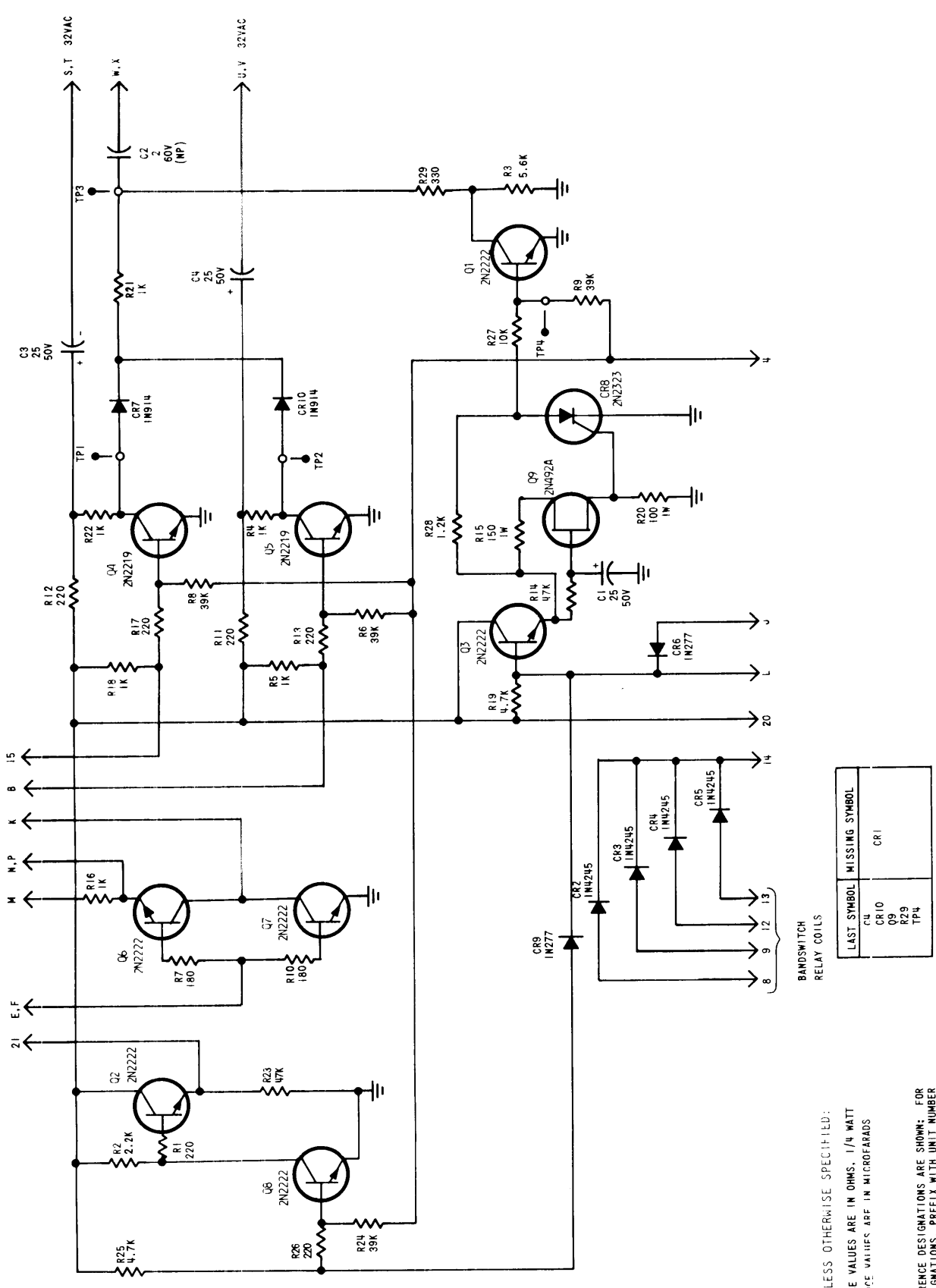


UNLESS OTHERWISE SPECIFIED:  
 1. ALL RESISTORS ARE IN OHMS 1/4 W  
 2. ALL DIODES ARE IN 91/4  
 3. ALL TRANSISTORS ARE 2 N 3013

PARTIAL REFERENCE DESIGNATIONS ARE SHOWN.  
 FOR COMPLETE DESIGNATION PREFIX WITH UNIT NUMBER  
 AND SUBASSEMBLY DESIGNATIONS AS APPLICABLE.

LAST SYMBOLS	MISSING SYMBOLS
Q8	
R12	
CR8	
Z12	

MODULE VOLTAGE B. GND. CHART	
PIN CONNECTION	
SYMBOL	+ 5V GND
Z1 THRU Z12	14 7



UNLESS OTHERWISE SPECIFIED:  
 1. ALL RESISTANCE VALUES ARE IN OHMS, 1/4 WATT  
 2. ALL CAPACITANCE VALUES ARE IN MICROFARADS

NOTE:  
 1. PARTIAL REFERENCE DESIGNATIONS ARE SHOWN FOR COMPLETE DESIGNATIONS. PREFIX WITH UNIT NUMBER AND SUB-ASSEMBLY DESIGNATION(S) AS APPLICABLE

CK 1605

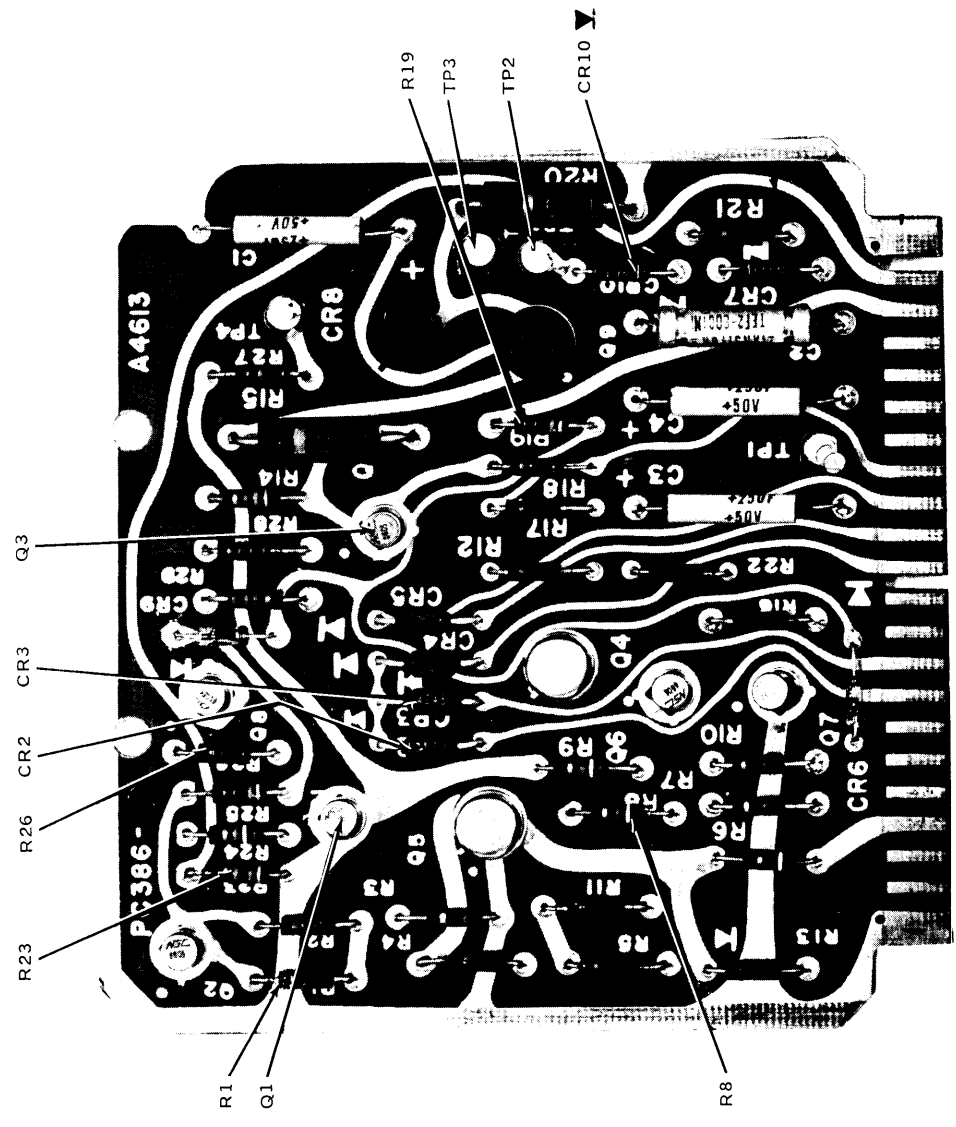
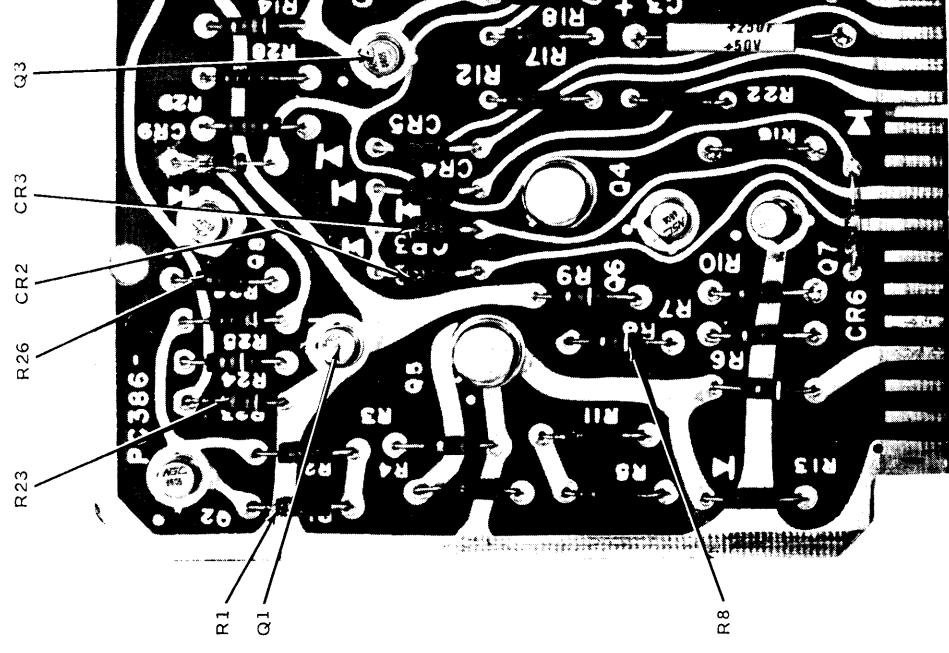
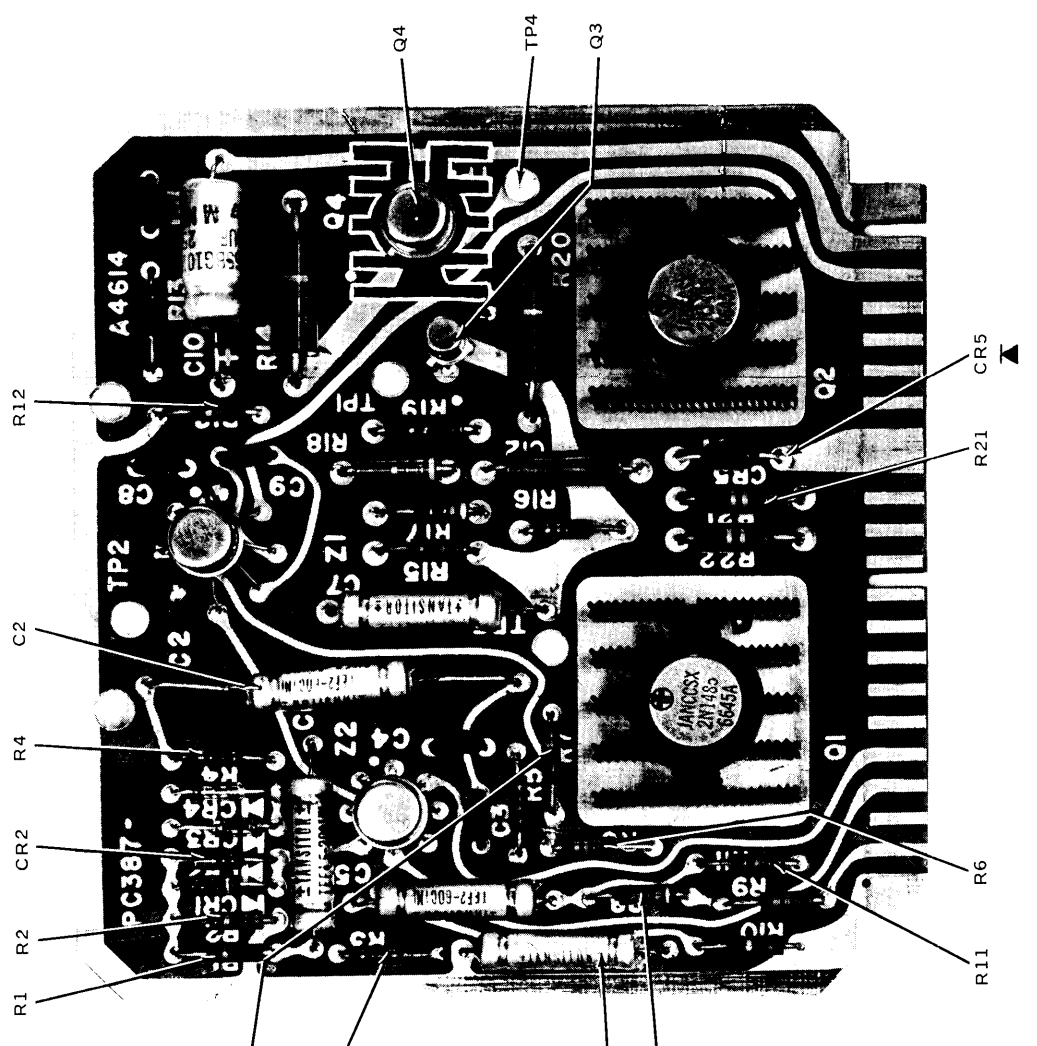
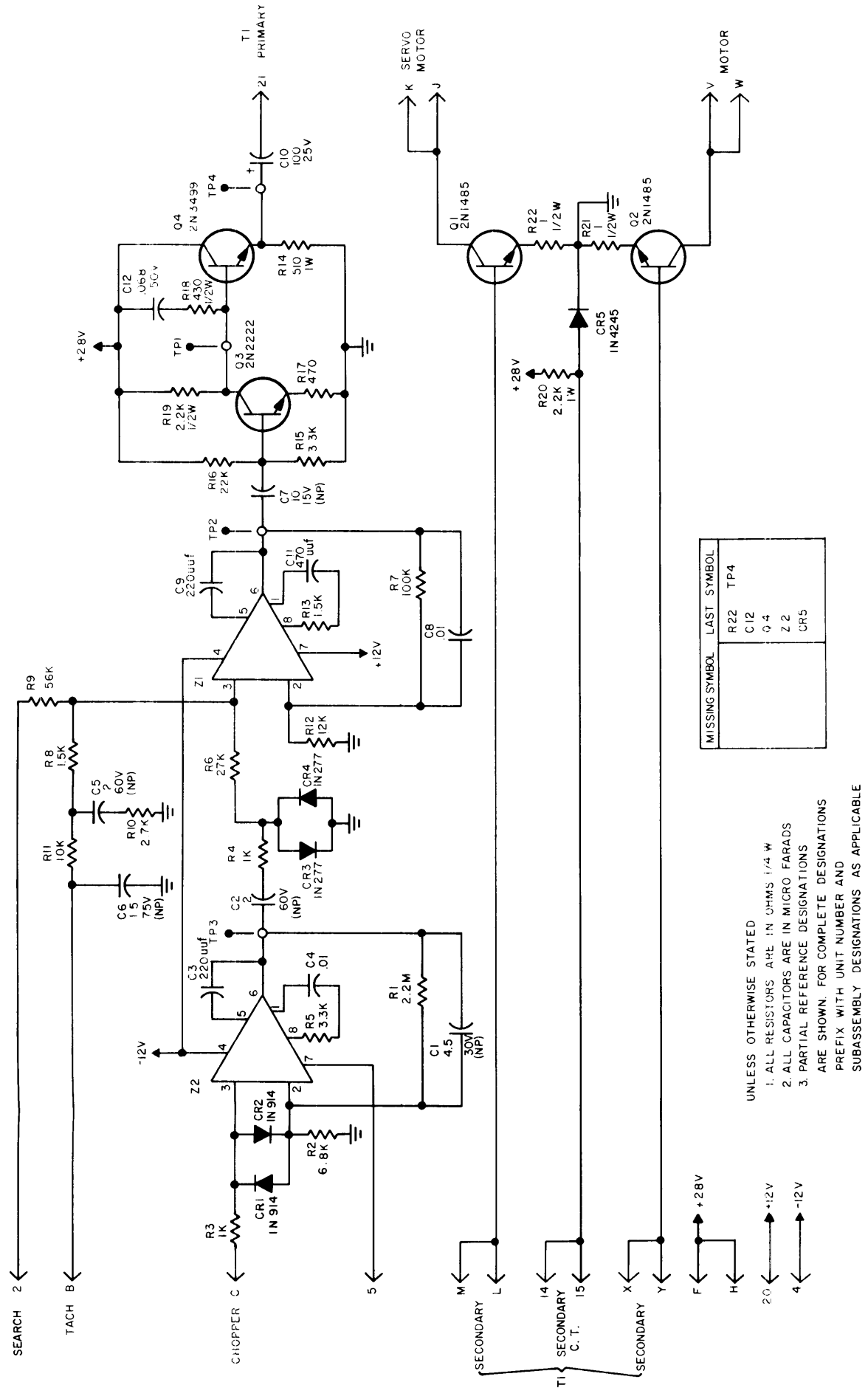


Figure 5-102/5-103. Motor Direct Control 4A10, Schematic/Component Locations Diagram  
 011690392 5-179/5-180







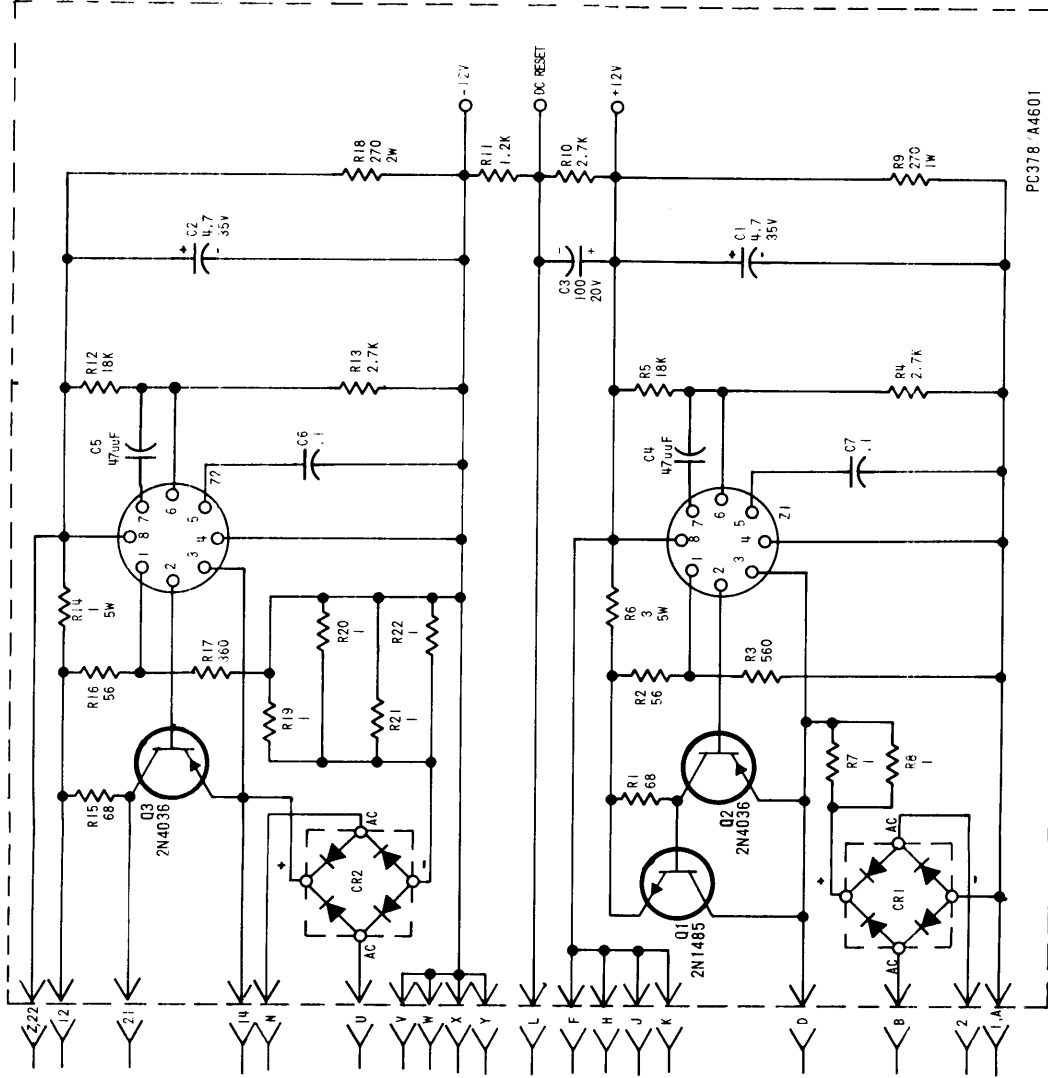
MISSING SYMBOL	LAST SYMBOL
R22	TP4
C12	Q4
Q4	Z2
Z2	CR5

UNLESS OTHERWISE STATED  
 1. ALL RESISTORS ARE IN OHMS 1/4 W  
 2. ALL CAPACITORS ARE IN MICRO FARADS  
 3. PARTIAL REFERENCE DESIGNATIONS  
 ARE SHOWN FOR COMPLETE DESIGNATIONS  
 PREFIX WITH UNIT NUMBER AND  
 SUBASSEMBLY DESIGNATIONS AS APPLICABLE

CK 1604

Figure 5-104/5-105. Servo Output 4A11, Schematic/Component Locations Diagram  
 011690392  
 5-181/5-182



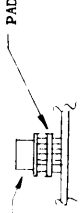


LAST SYMBOLS	MISSING SYMBOLS
C7	
CR2	
Q3	
R22	
Z2	

UNLESS OTHERWISE SPECIFIED:

1. ALL RESISTANCE VALUES ARE IN OHMS. 1/2W
2. ALL CAPACITANCE VALUES ARE IN MICROFARADS
3. PARTIAL REFERENCE DESIGNATIONS ARE SHOWN; FOR COMPLETE DESIGNATION, PREFIX WITH UNIT NUMBER AND SUB-ASSEMBLY DESIGNATION(S) AS APPLICABLE

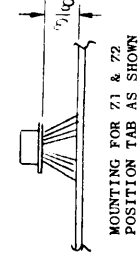
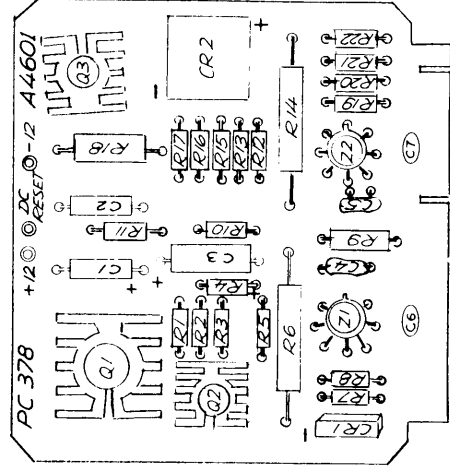
TRANSISTOR MOUNTING



TYP MTC FOR R6 AND R14

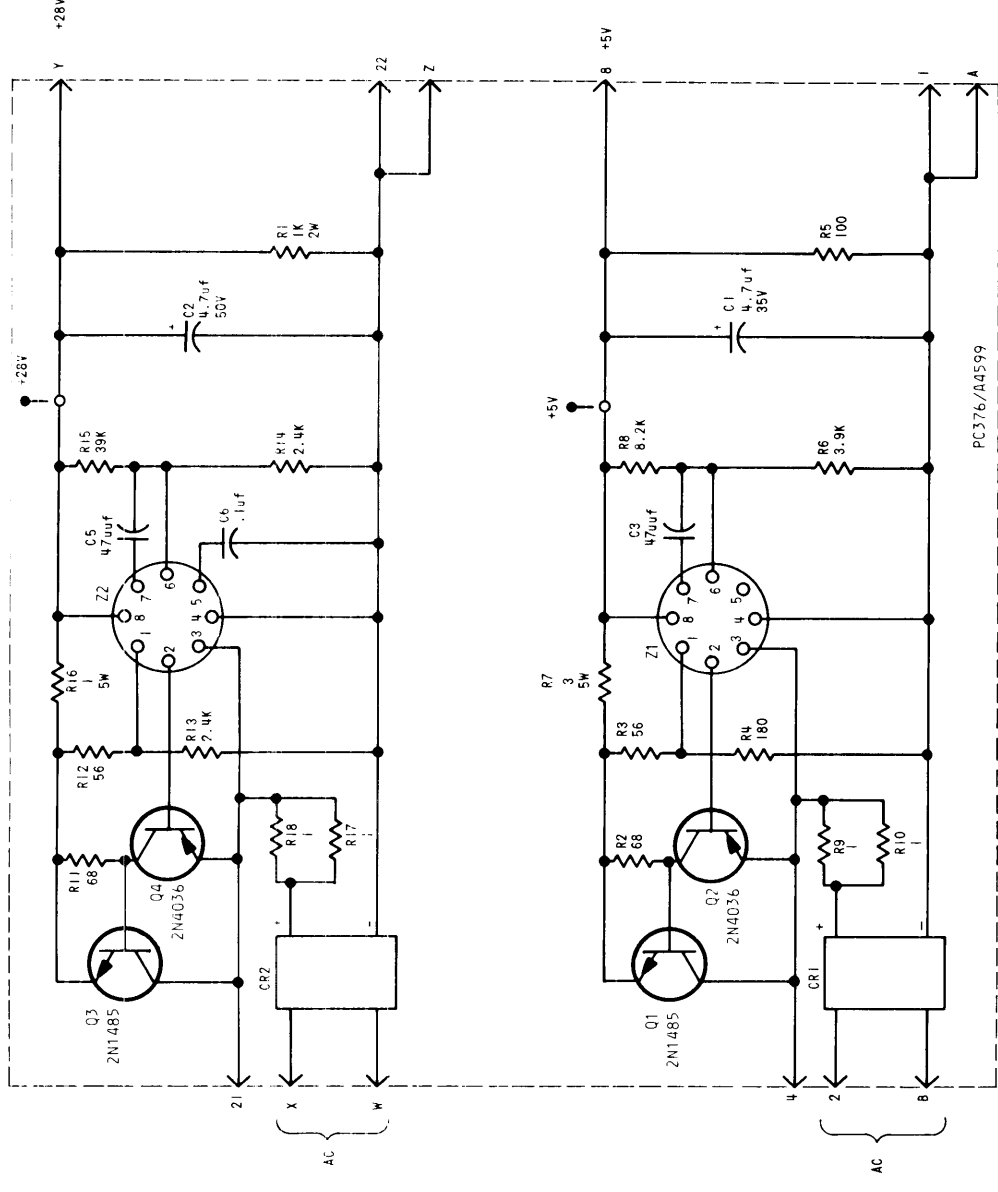
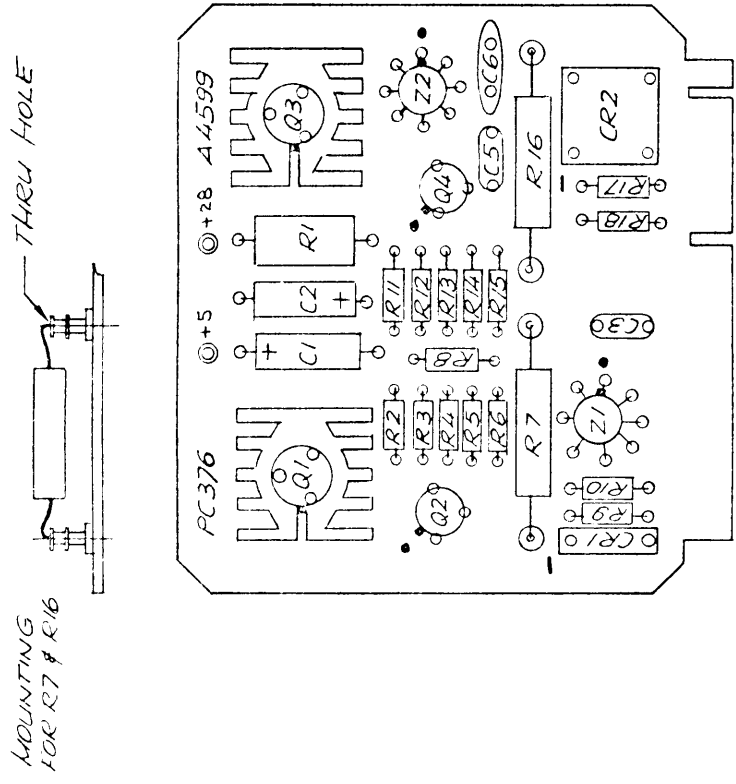


INSERT THRU HOLES



CK 1401

Figure 5-108/5-109. +12V/-12V Power Supply 4A13, Schematic/Component Locations Diagram  
011690392

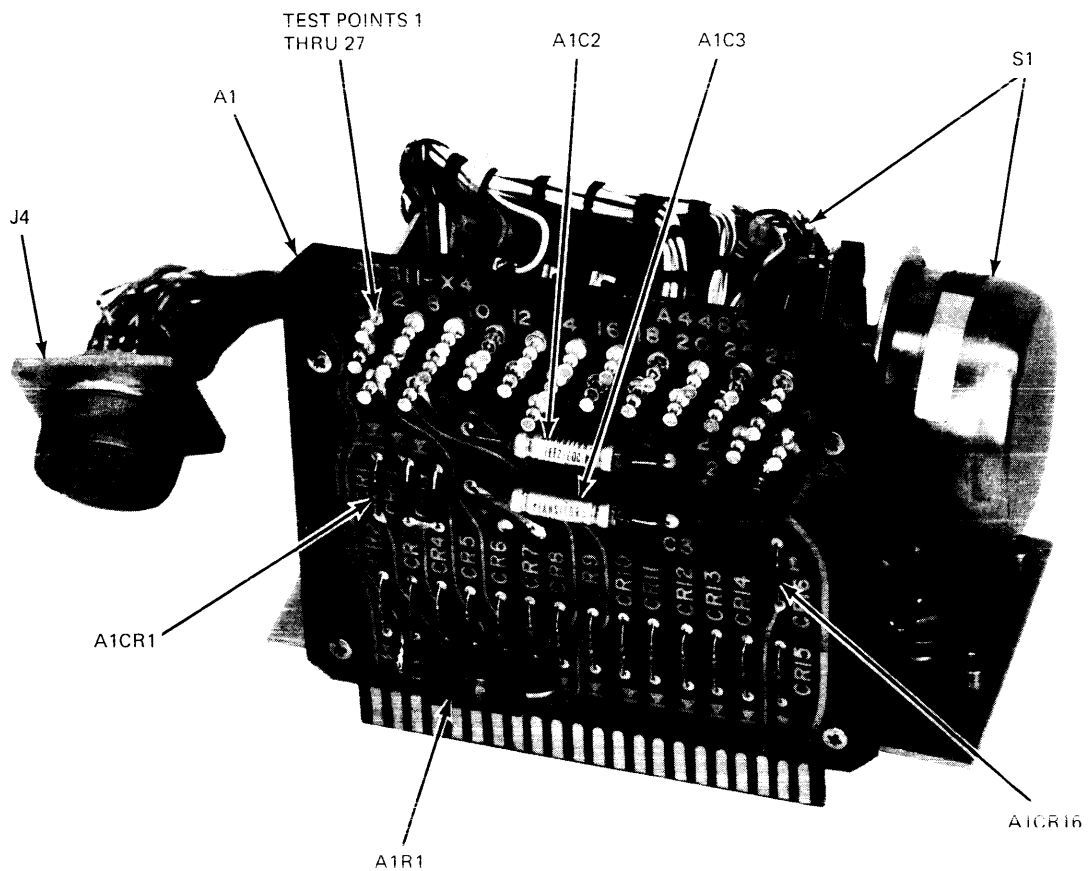


LAST SYMBOL	MISSING SYMBOL
C6	C4
CR2	
Q4	
R18	
Z2	

- UNLESS OTHERWISE SPECIFIED:
1. ALL RESISTANCE VALUES ARE IN OHMS. 1/2 WATT
  2. PARTIAL REFERENCE DESIGNATIONS ARE SHOWN: FOR COMPLETE DESIGNATION, PREFIX WITH UNIT NUMBER AND SUB-ASSEMBLY DESIGNATION(S) AS APPLICABLE.

CK 1607

Figure 5-110/5-111. +5V/+28V Power Supply 4A14, Schematic/Component Locations Diagram  
011690392



REF DESIG PREFIX 4A15  
 REF DESIG PREFIX 4A15, 9A15

Figure 5-112. Master Stepping Switch Assembly 4A15, Component Locations Diagram

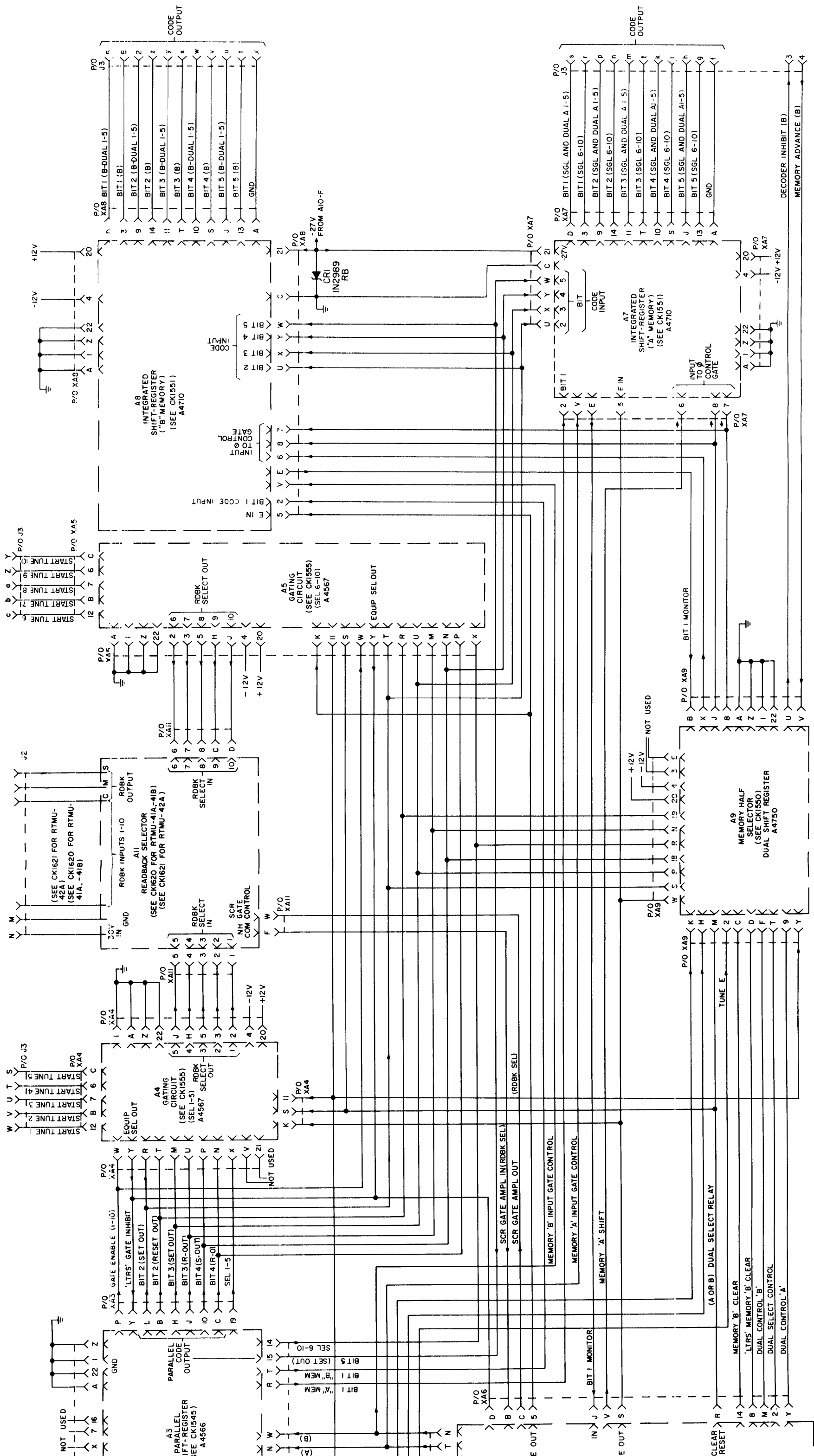
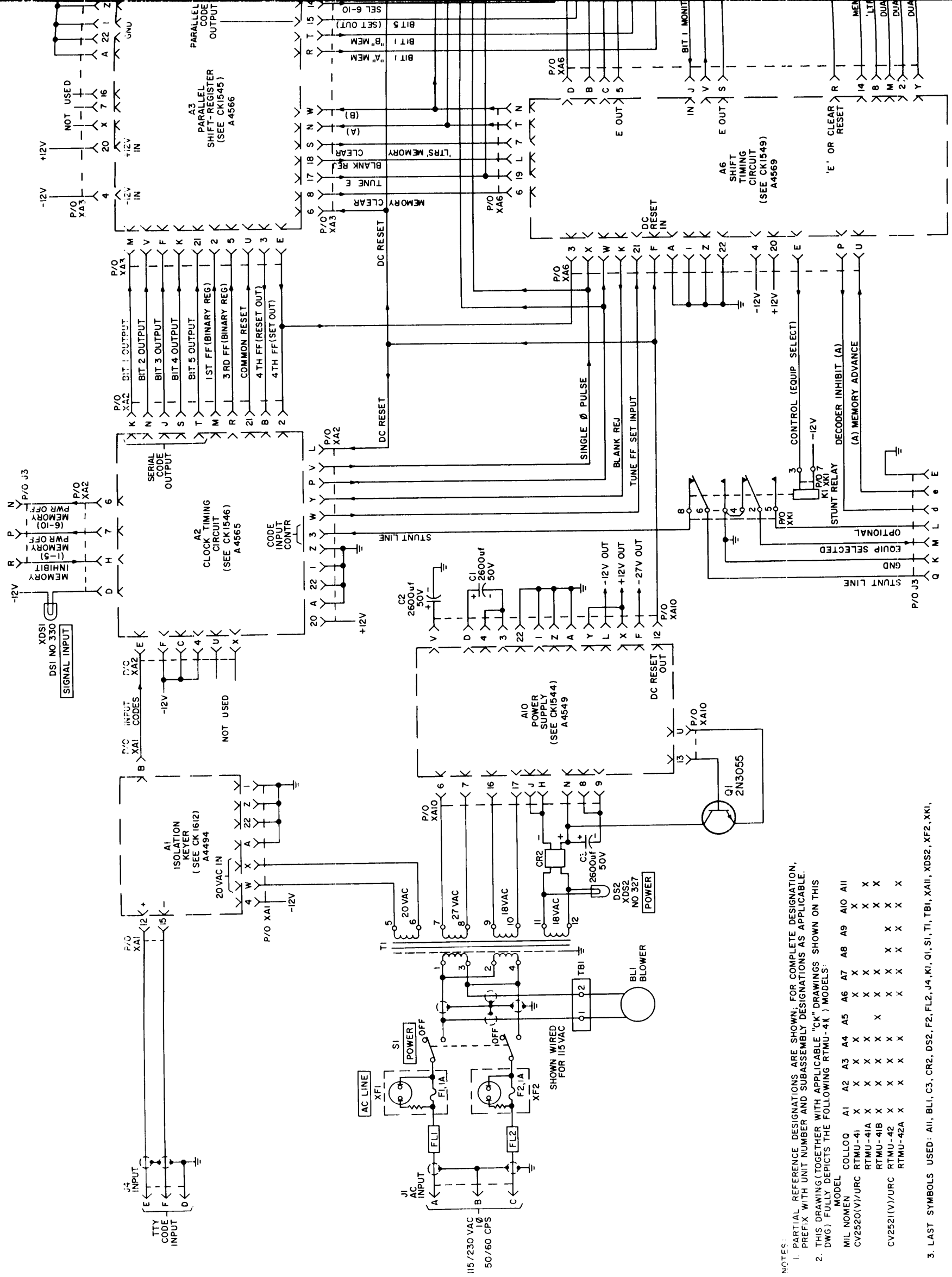


Figure 5-113. Unit 5 (CV-2520(V)/URC), Schematic Diagram

011690392

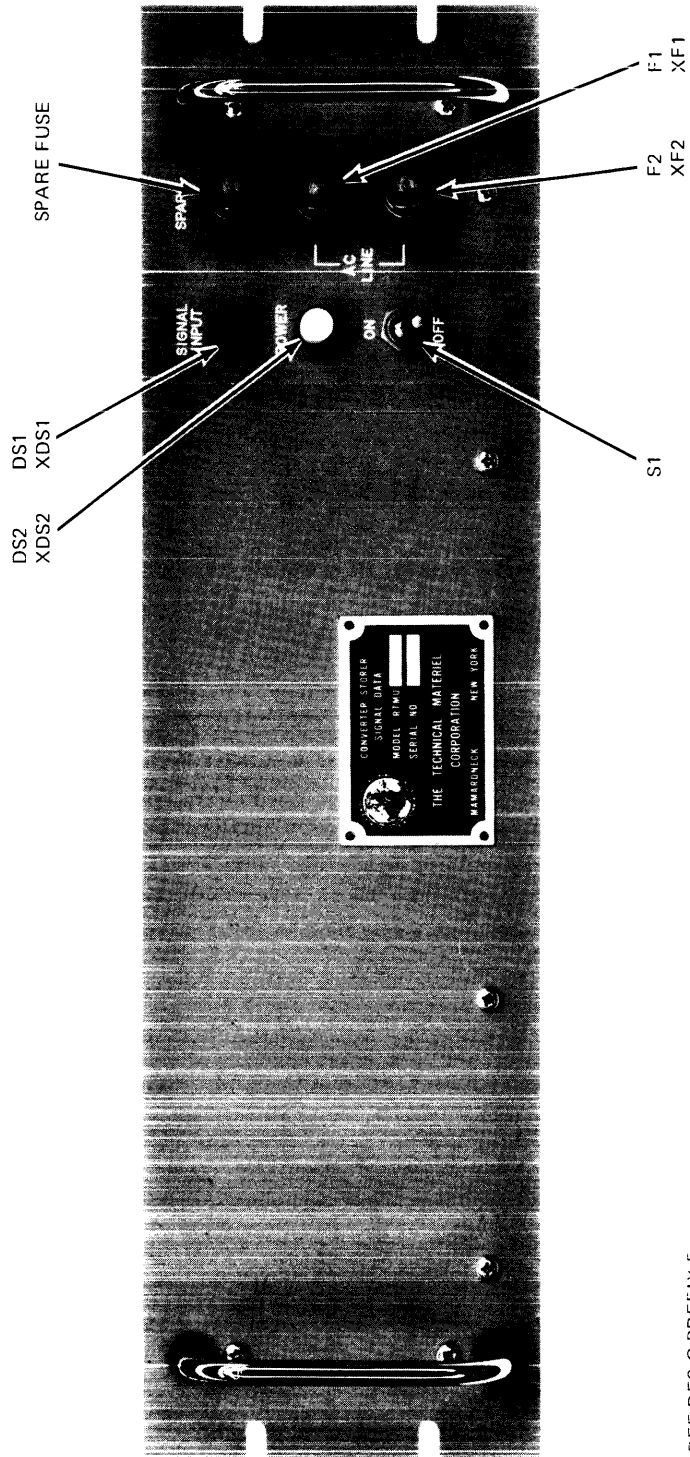


NOTES:  
 1. PARTIAL REFERENCE DESIGNATIONS ARE SHOWN; FOR COMPLETE DESIGNATION, PREFIX WITH UNIT NUMBER AND SUBASSEMBLY DESIGNATIONS AS APPLICABLE.  
 2. THIS DRAWING (TOGETHER WITH APPLICABLE "CK" DRAWINGS SHOWN ON THIS DWG.) FULLY DEPICTS THE FOLLOWING RTMU-4K ) MODELS:

MIL NOMEN	MODEL	COLLOQ	A1	A2	A3	A4	A5	A6	A7	A8	A9	A10	A11
CV2520(V)/URC	RTMU-4I	X	X	X	X	X	X	X	X	X	X	X	X
CV2521(V)/URC	RTMU-4B	X	X	X	X	X	X	X	X	X	X	X	X
	RTMU-42A	X	X	X	X	X	X	X	X	X	X	X	X

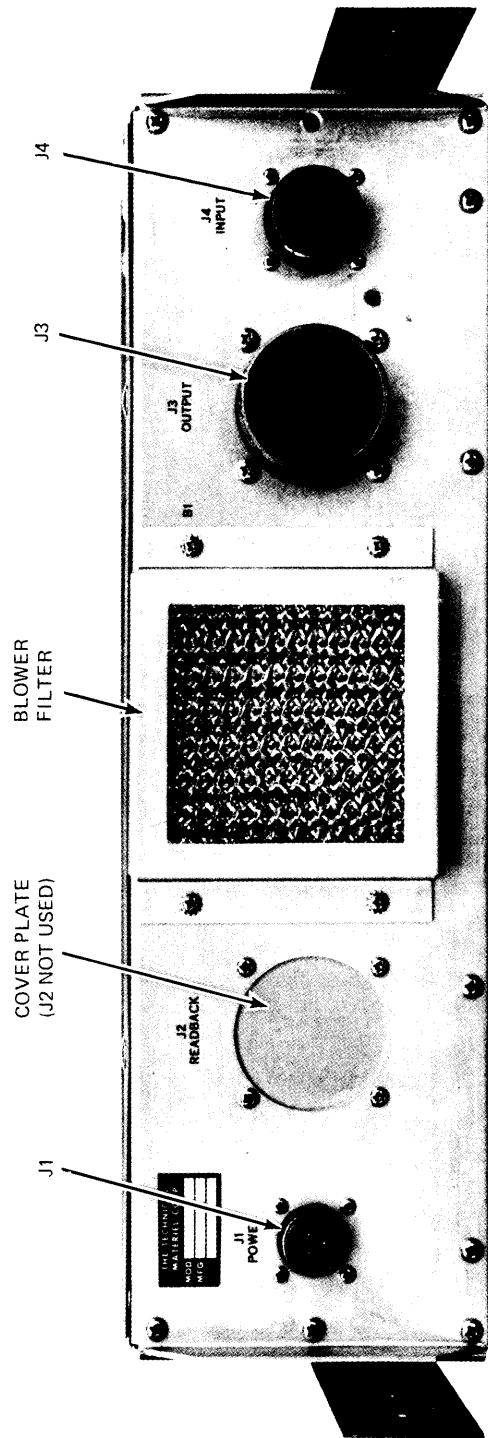
3. LAST SYMBOLS USED: A11, B11, C3, CR2, DS2, F2, FL2, J4, K1, Q1, S1, T1, TBI, XA11, XDS2, XF2, XK1.





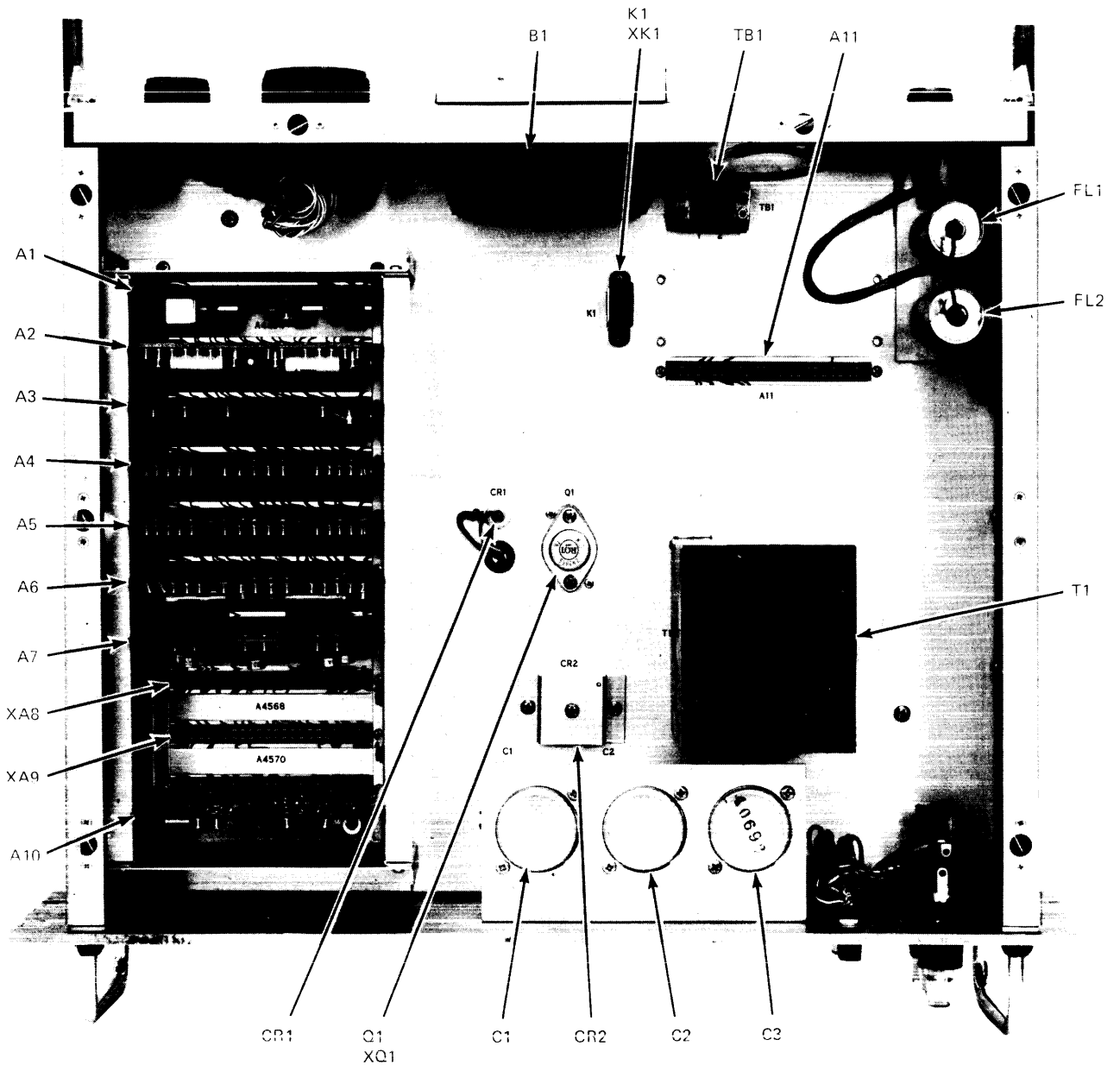
REF DES G PREFIX 5  
REF DES G PREFIX 9

Figure 5-114. Unit 5 (CV-2520(V)/URC), Front Panel, Major Component Locations Diagram



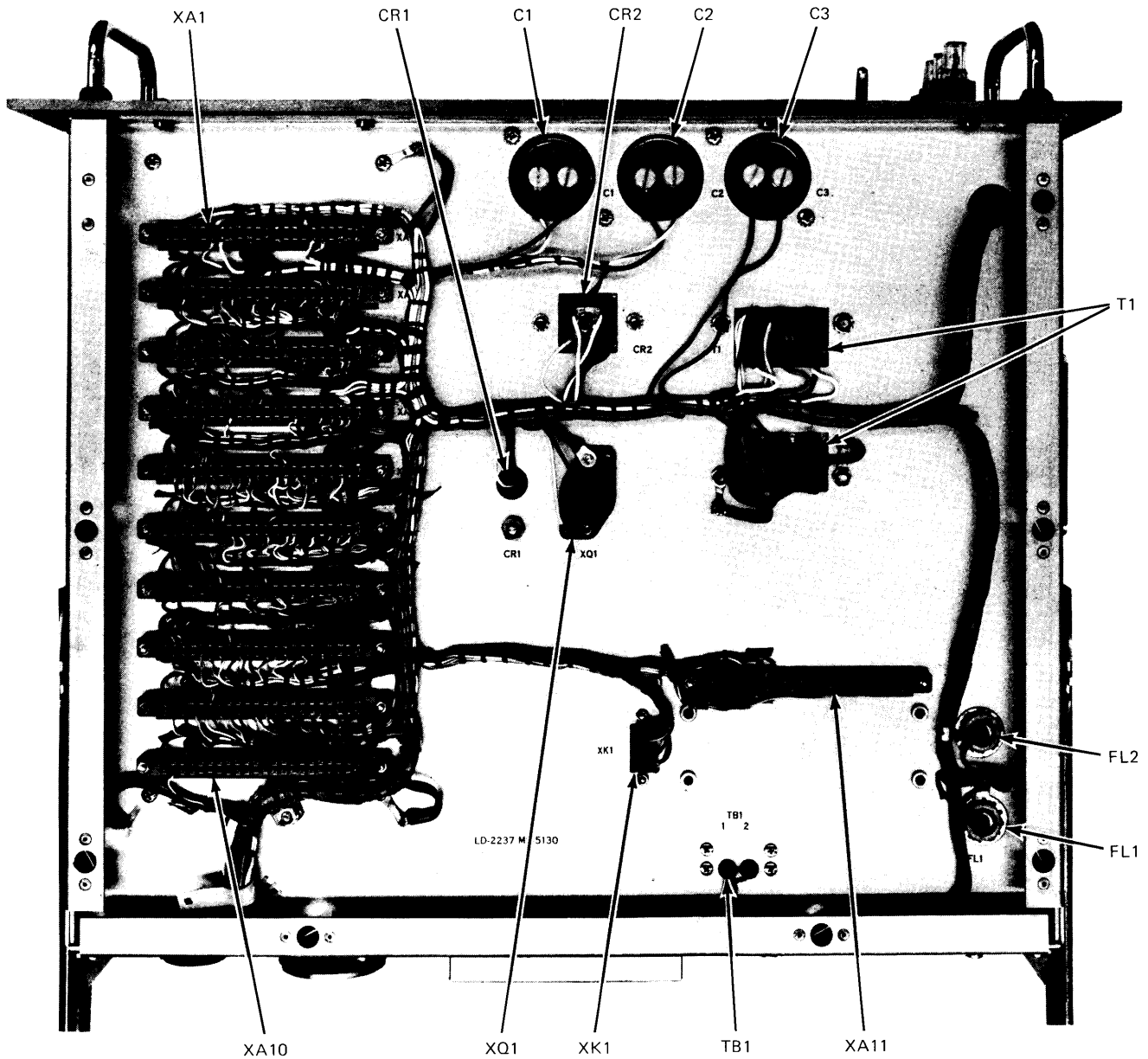
REF DESIG PREFIX 5  
REF DESIG PREFIX 9

Figure 5-115. Unit 5 (CV-2520(V)/URC), Rear Panel, Major Component Locations Diagram



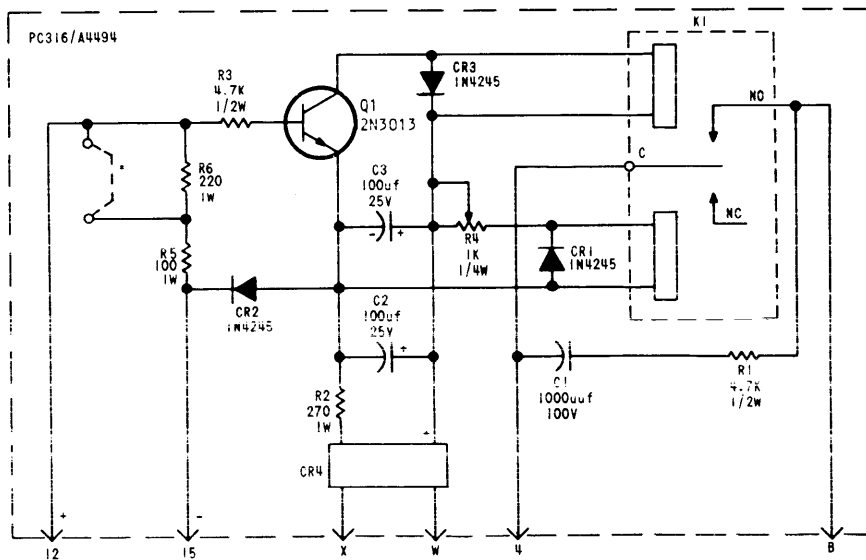
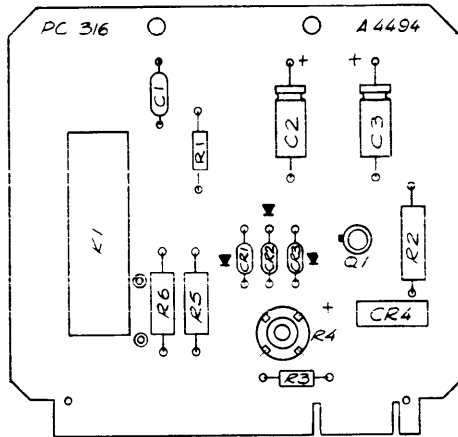
REF DESIG PREFIX 5

Figure 5-116. Unit 5 (CV-2520(V)/URC), Top View, Major Component Locations Diagram  
011690392



REF DESIG PREFIX 5  
REF DESIG PREFIX 9

Figure 5-117. Unit 5 (CV-2520(V)/URC), Bottom View, Major Component Locations Diagram



LAST SYMBOL	MISSING SYMBOL
R6	
C3	
CR4	
K1	
Q1	

NOTES

- PARTIAL REFERENCE DESIGNATIONS AS SHOWN: FOR COMPLETE DESIGNATION, PREFIX WITH UNIT NUMBER AND SUB-ASSEMBLY DESIGNATION (S) AS APPLICABLE
- \* 2 STRAP IS INCLUDED WHEN 60mA LOOP IS USED  
STRAP IS NOT INCLUDED WHEN 20mA OR 6 VOLT LOOPS ARE USED.

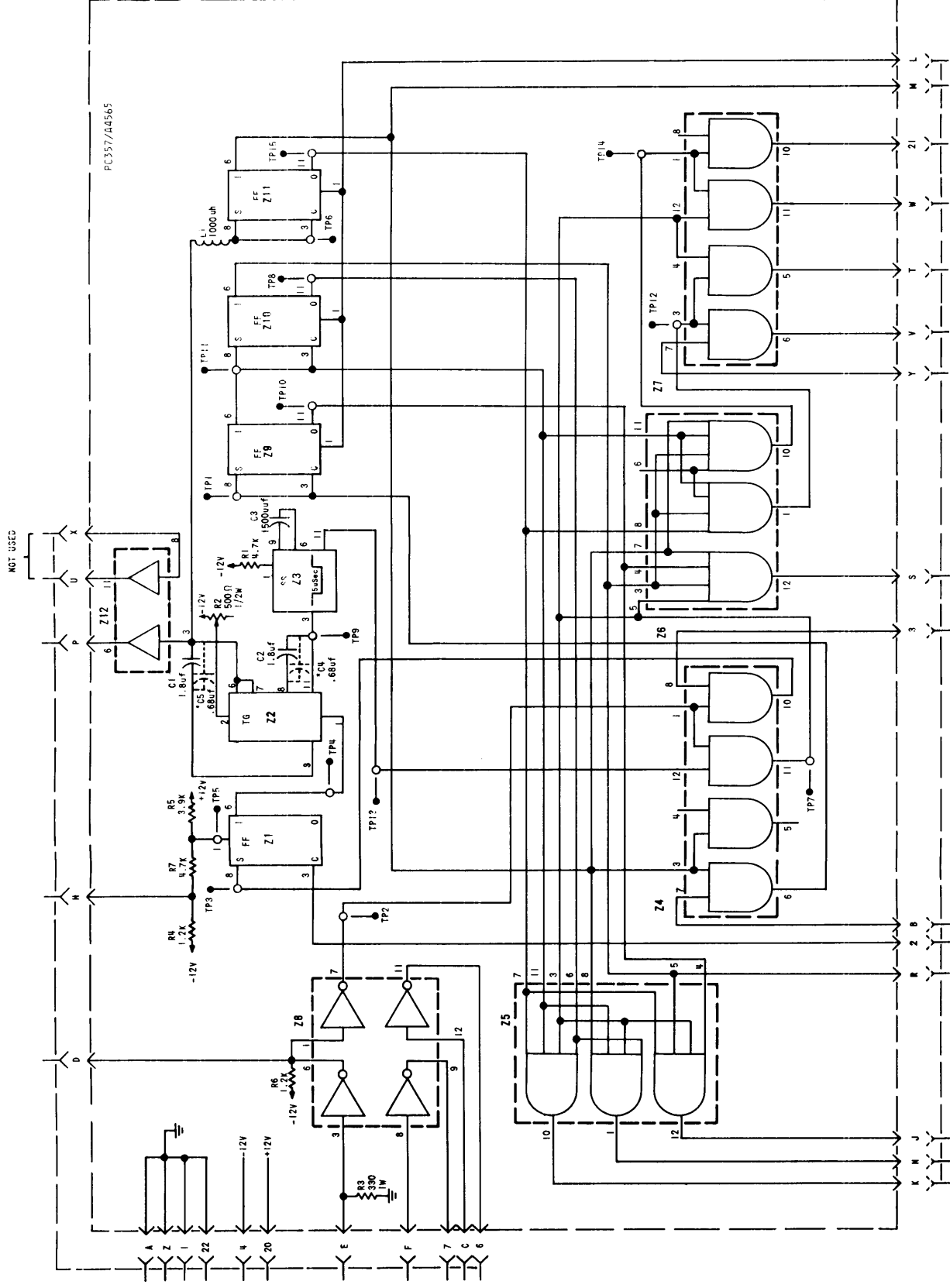
CK 1612

Figure 5-118/5-119. Isolation Keyer 5A1, Schematic/Component Locations Diagram

011690392

5-197/5-198





CK 154F

MODULE VOLTAGE AND GND CHART

SYMBOL	+12V	-12V	GND
Z1,3,9,10,11	10	2	5
Z4,5,6,7		2	
Z2,8	10		5
Z12		2	5

LAST SYMBOL	MISSING SYMBOL
C5	
L1	
R7	
TP15	
Z12	

- UNLESS OTHERWISE SPECIFIED:
1. ALL RESISTOR VALUES ARE IN OHMS, I/W.
  2. FOR 100 WPM DELETE C4 AND C5 FOR 60 WPM ADD C4 AND C5
  3. PARTIAL REFERENCE DESIGNATIONS ARE SHOWN; FOR COMPLETE DESIGNATION, PREFT WITH UNIT NUMBER AND SUB-ASSEMBLY DESIGNATION (S) AS APPLICABLE

FOR 100 WPM OPERATION ASSEMBLE C1 & C2 AS SHOWN IN UPPER PICTORIAL

FOR 60 WPM OPERATION ASSEMBLE C1, C5 & C2, C4 AS SHOWN IN LOWER PICTORIAL

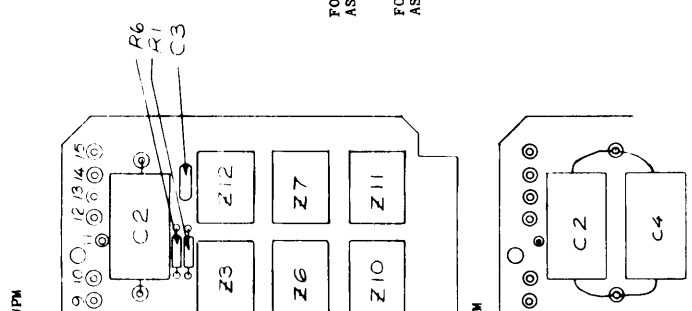
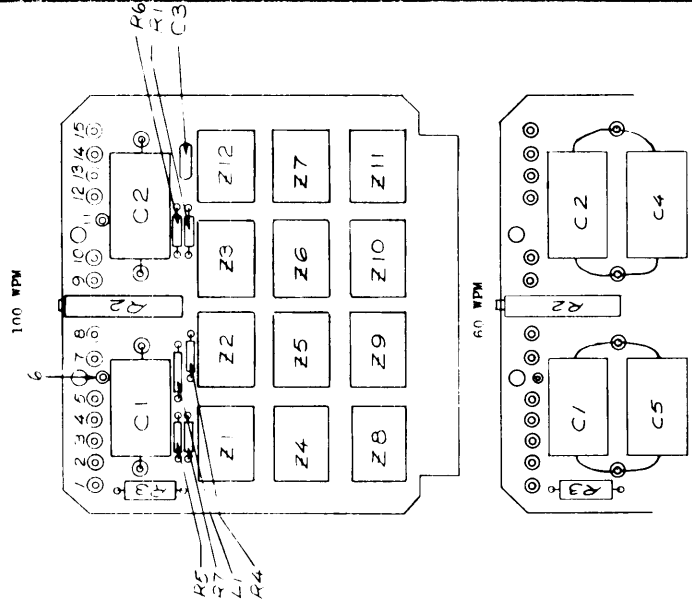
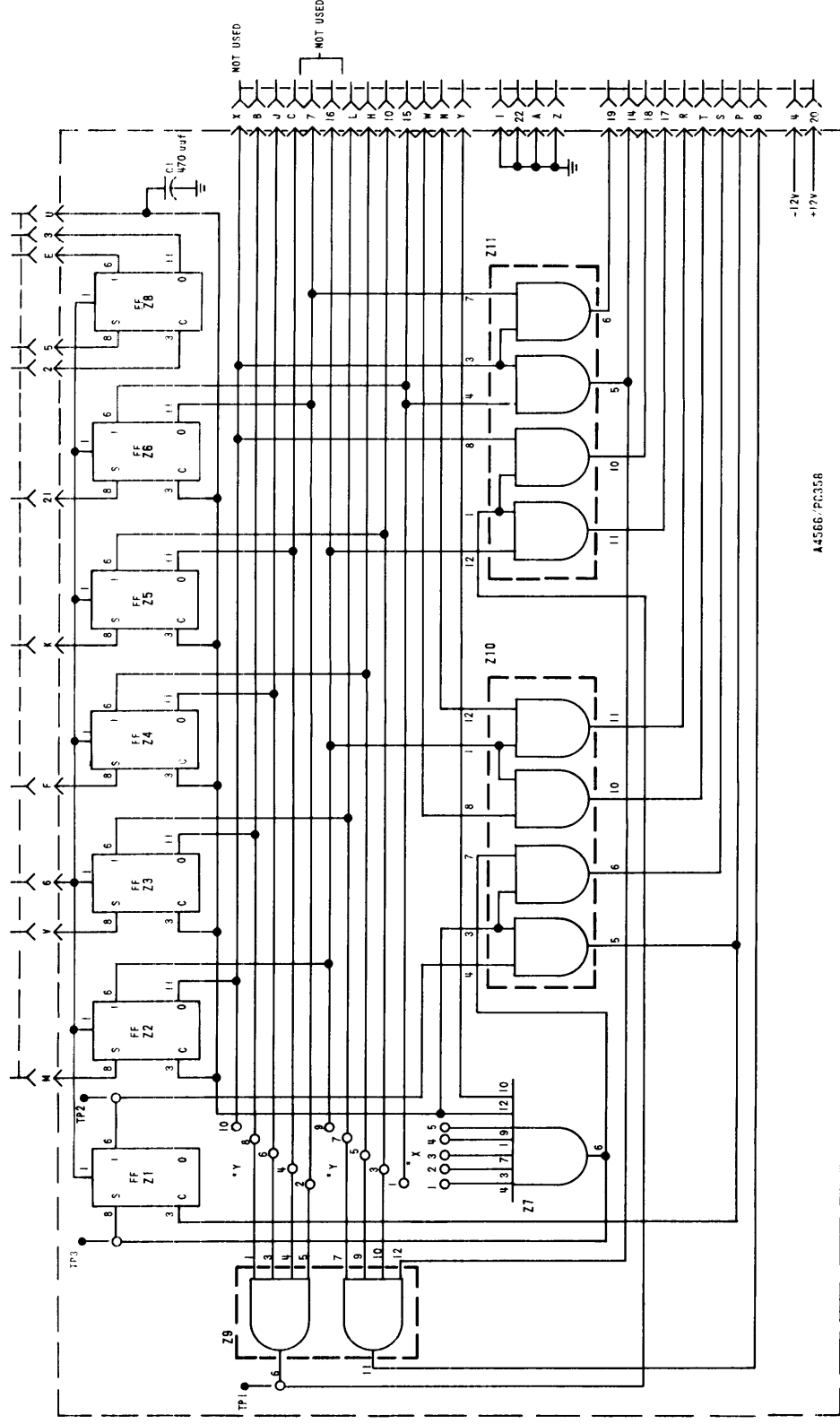
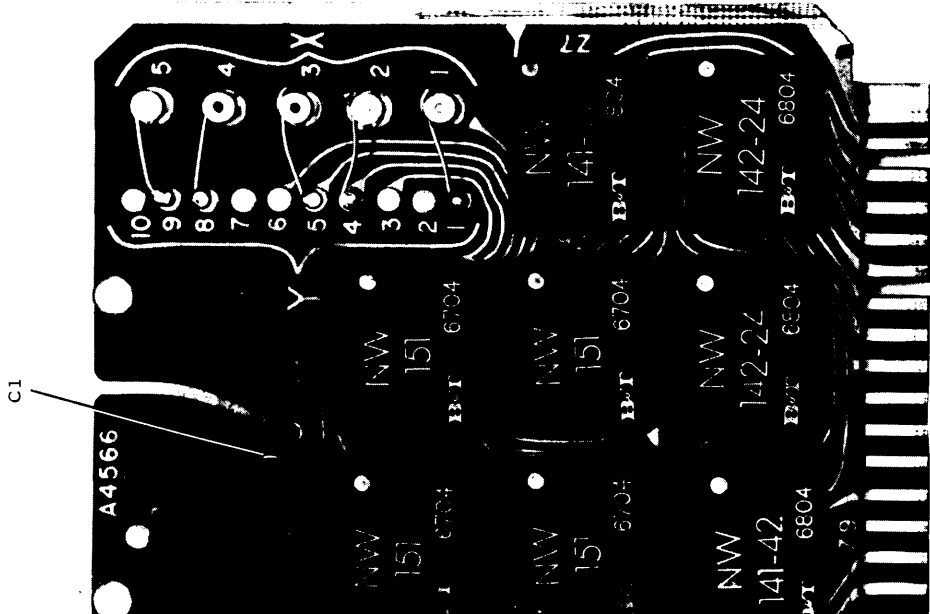


Figure 5-120/5-121. Clock Timing Circuit 5A2, Schematic/Component Locations Diagram

011690392







MODULE VOLTAGE & GND CHART

SYMBOL	+12V	-12V	GND
Z1 THRU Z6, Z8	10	2	5
Z10, Z11		2	2
Z7		2	2
Z9		2	2

LAST SYMBOL MISSING SYMBOL

C1	
TP3	
Z11	

\*EQUIPMENT SELECTION JUMPER GUIDE

EQUIPMENT	JUMPER X
A	1 2 3 4 5
B	Y1 Y4 Y5 Y8 Y9
C	Y1 Y4 Y5 Y7 Y10
D	Y1 Y3 Y6 Y7 Y10
E	Y1 Y3 Y6 Y8 Y9

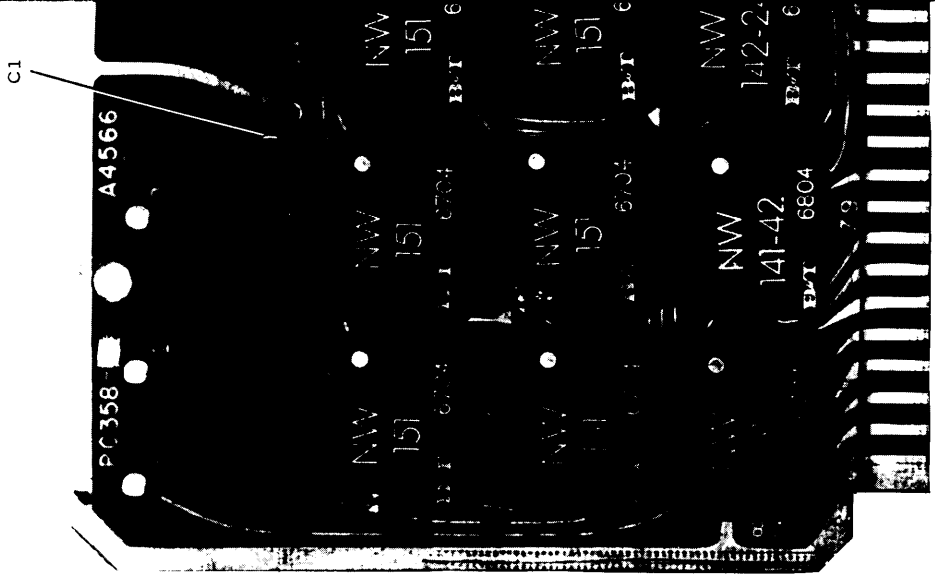
NOTE:  
 PARTIAL REFERENCE DESIGNATIONS ARE SHOWN FOR COMPLETE DESIGNATION. PREFIX WITH UNIT NUMBER AND SUB-ASSEMBLY DESIGNATION (S) AS APPLICABLE

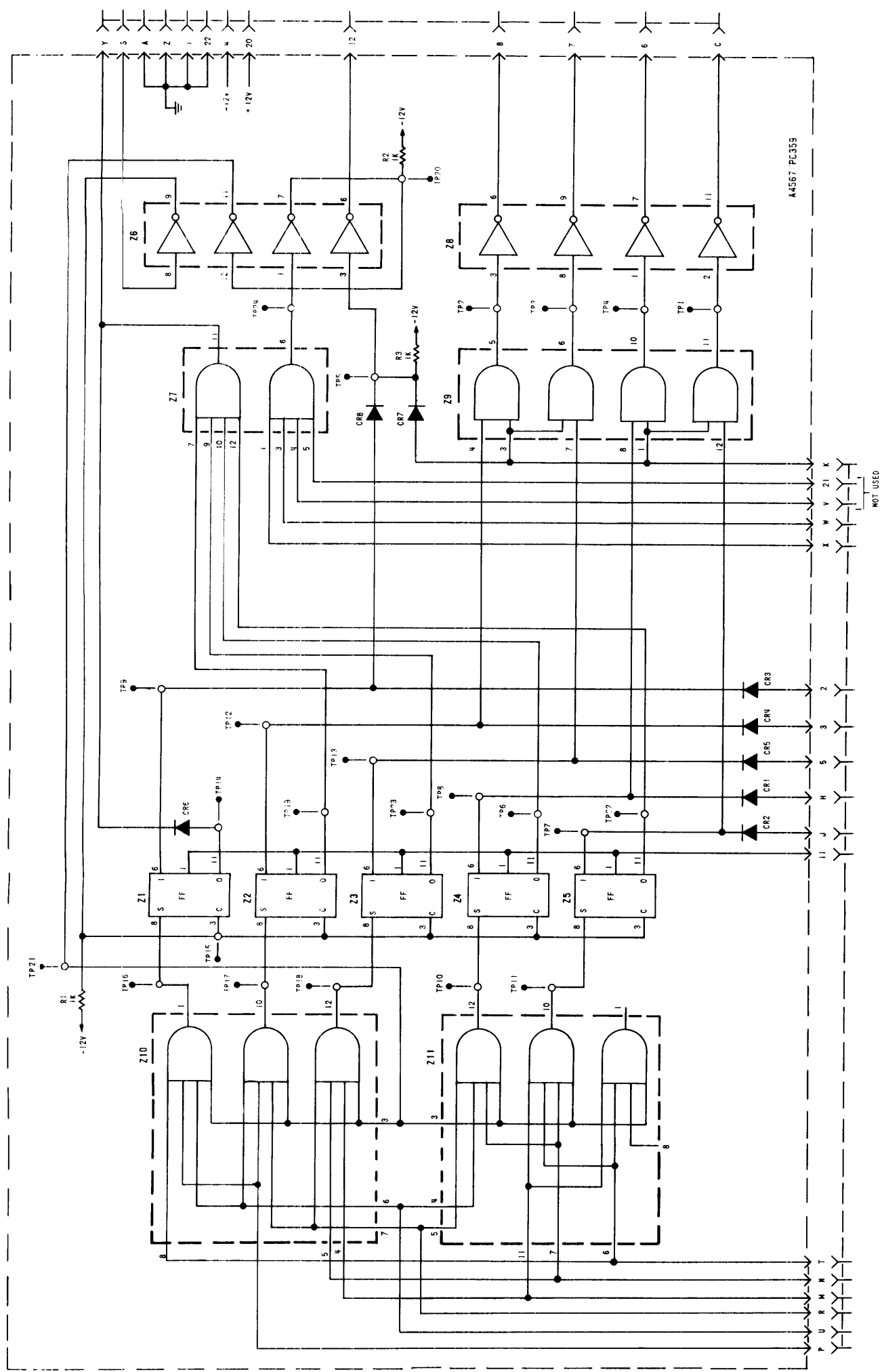
CK 1545

Figure 5-122/5-123. Parallel Shift Register 5A3, Schematic/Component Locations Diagram

011690392

5-201/5-202



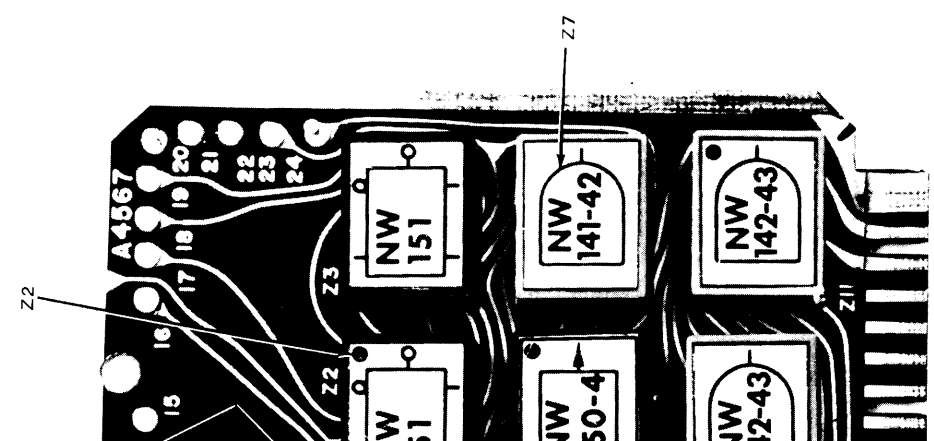


MODULE VOLTAGE AND GND CHART

P.W. CONNECTIONS		GND	
SYMBOL	VALUE	SYMBOL	VALUE
Z1 THRU Z5	-12V	Z1	2
Z6, Z8	-12V	Z2	5
Z7, Z9, Z10, Z11	-12V	Z3	5

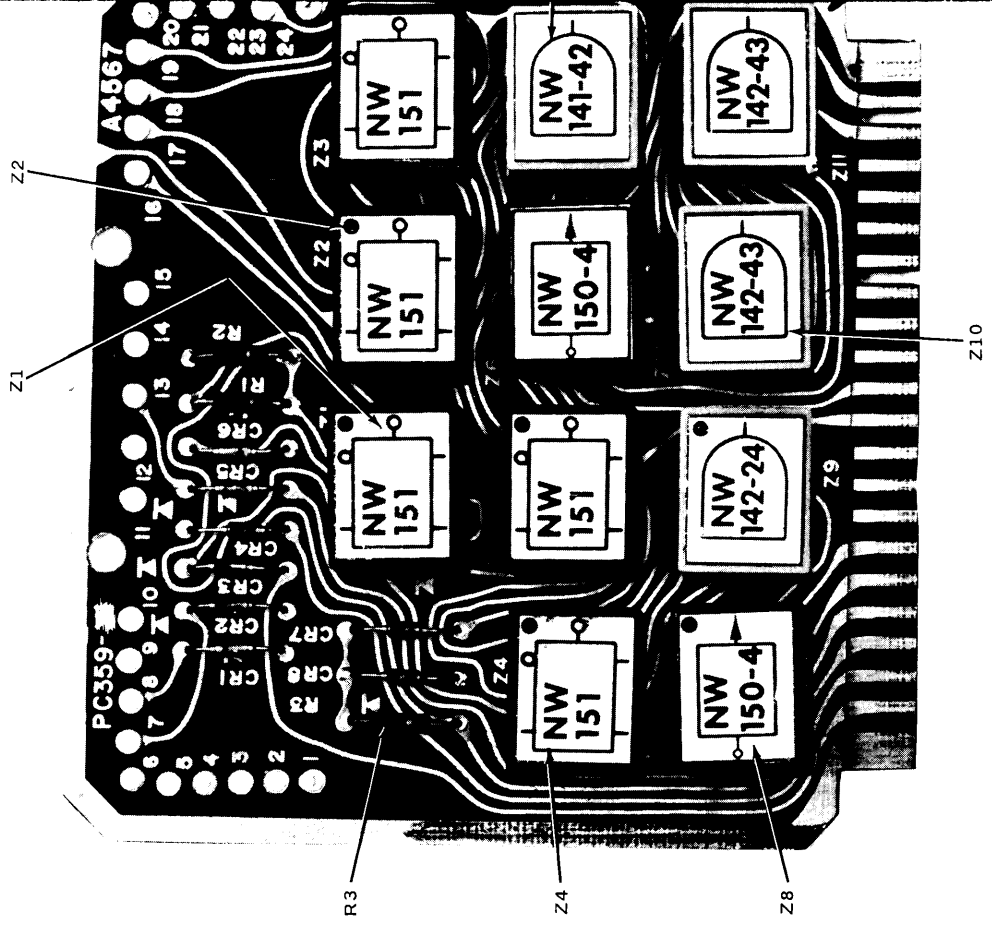
LAST SYMBOL	MISSING SYMBOL
CR8	
R3	
TP24	
Z11	

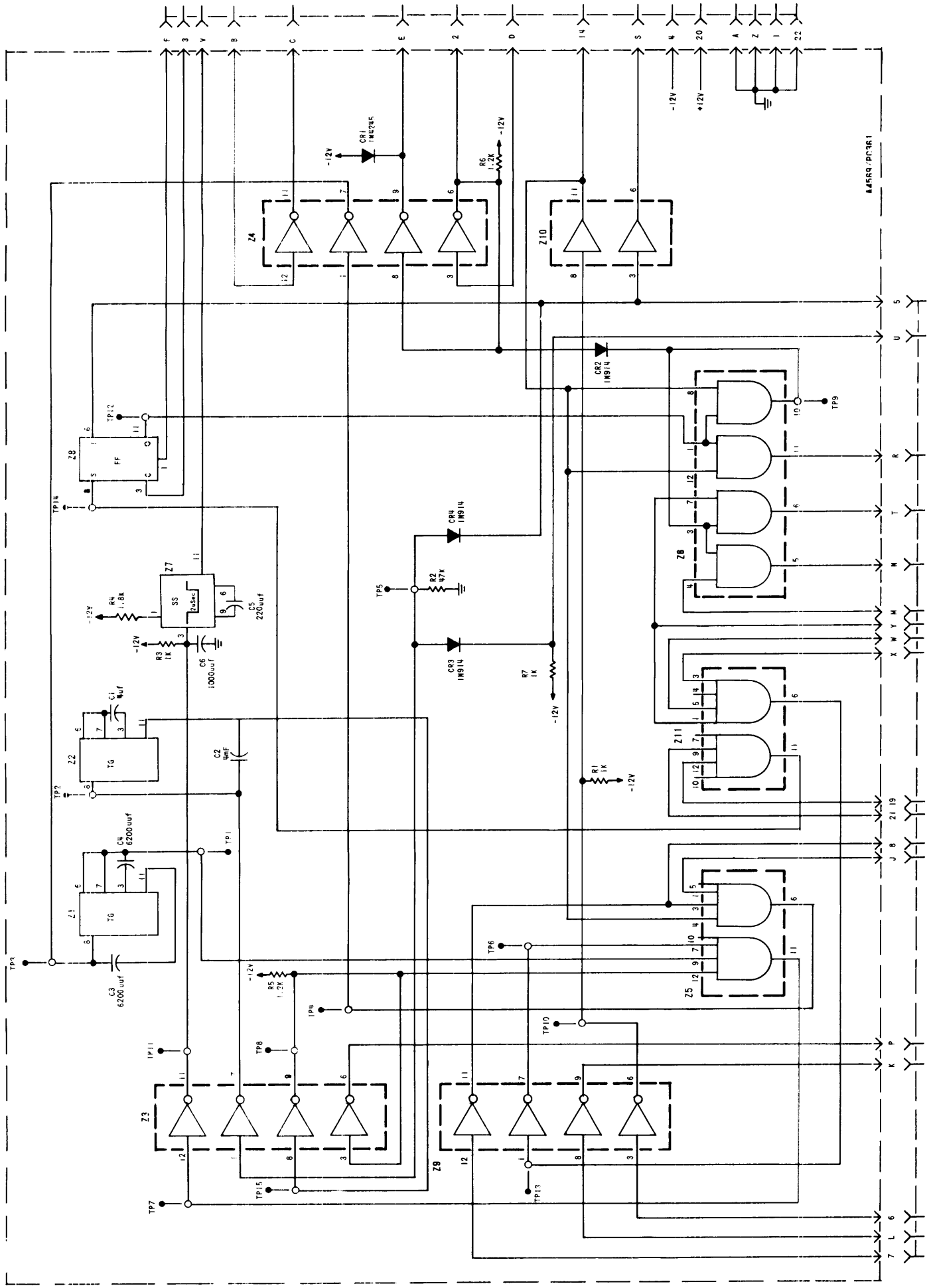
UNLESS OTHERWISE SPECIFIED:  
 1. ALL RESISTOR VALUES ARE IN OHMS, /4W.  
 2. ALL DIODE VALUES ARE 1N914.  
 3. PARTIAL REFERENCE DESIGNATIONS ARE SHOWN FOR COMPLETION. PREFIX WITH UNIT NUMBER AND SUB-ASSEMBLY DESIGNATION (S) AS APPLICABLE.



CK 1555

Figure 5-124/5-125. Gating Circuit 5A4, 5A5, Schematic/Component Locations Diagram  
 011690392



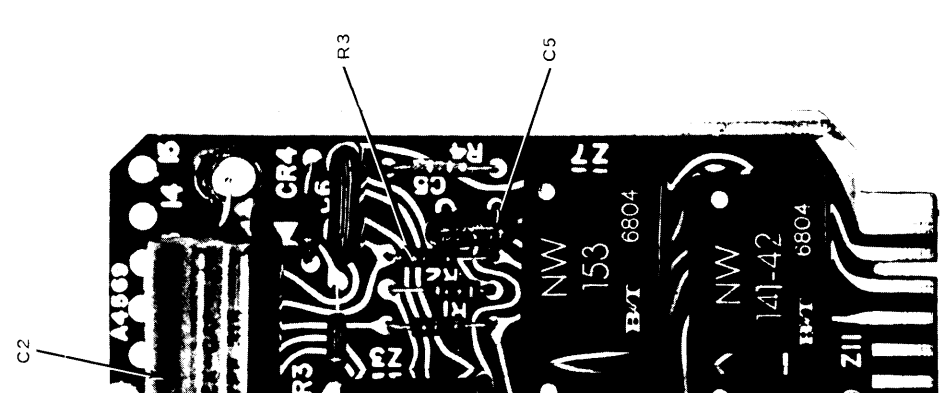


MODULE VOLTAGE AND GND CHART

SYMBOL	P/N CONNECTIONS		GND
	+12V	-12V	
Z1, Z7, Z8	10	2	5
Z3, Z4, Z9	10	2	5
Z5, Z6, Z11	2	2	5
Z10		2	5

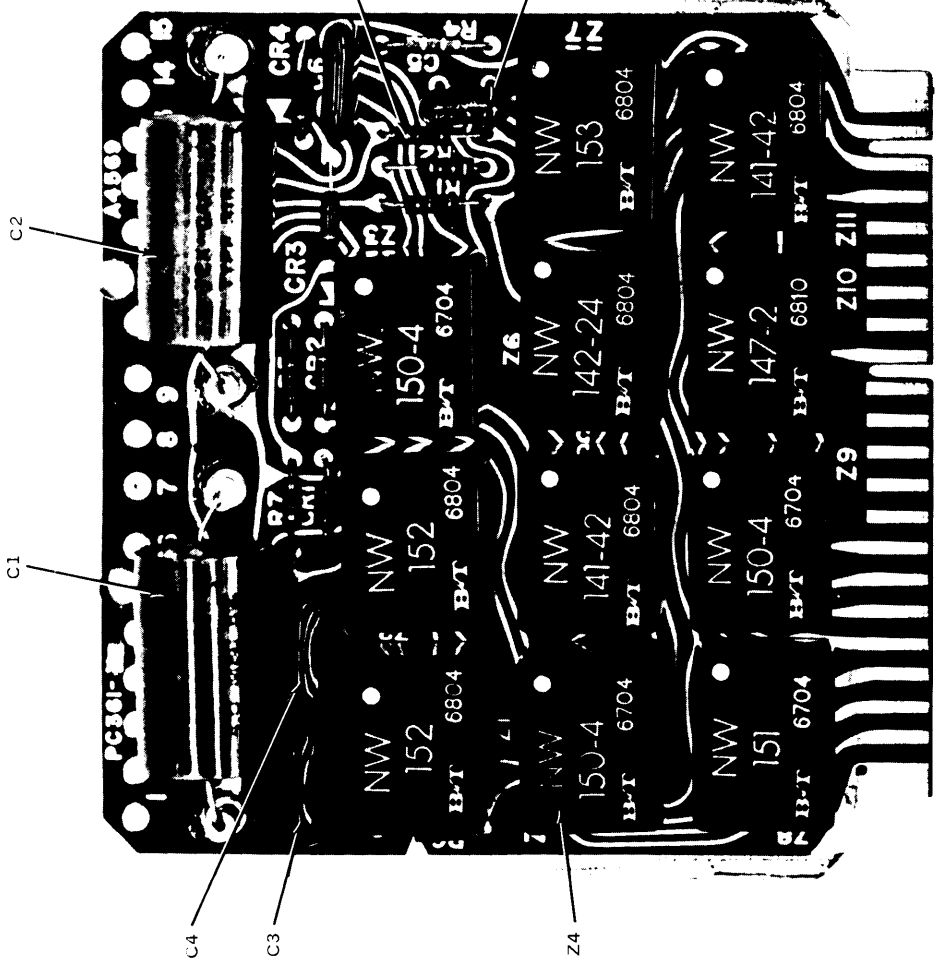
LAST SYMBOL	MISSING SYMBOL
CS	
CR1	
TP15	
Z11	
Z7	

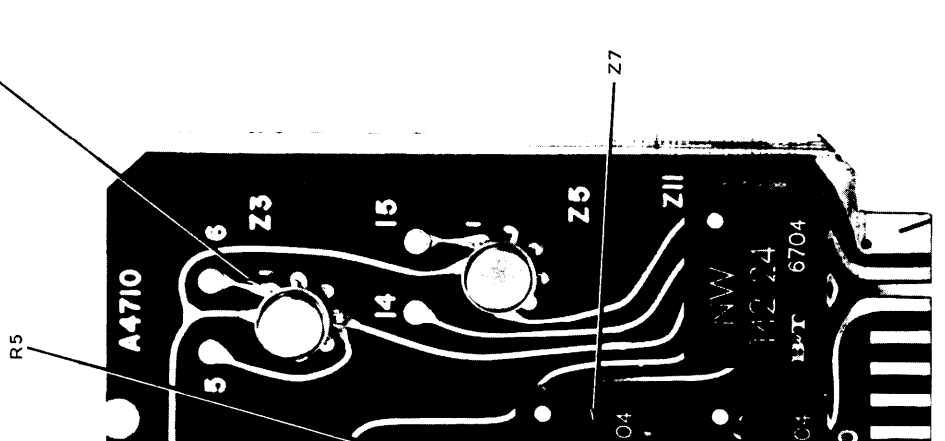
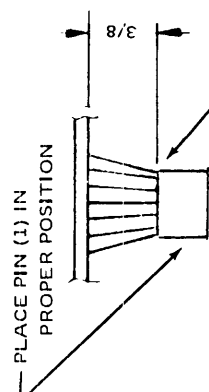
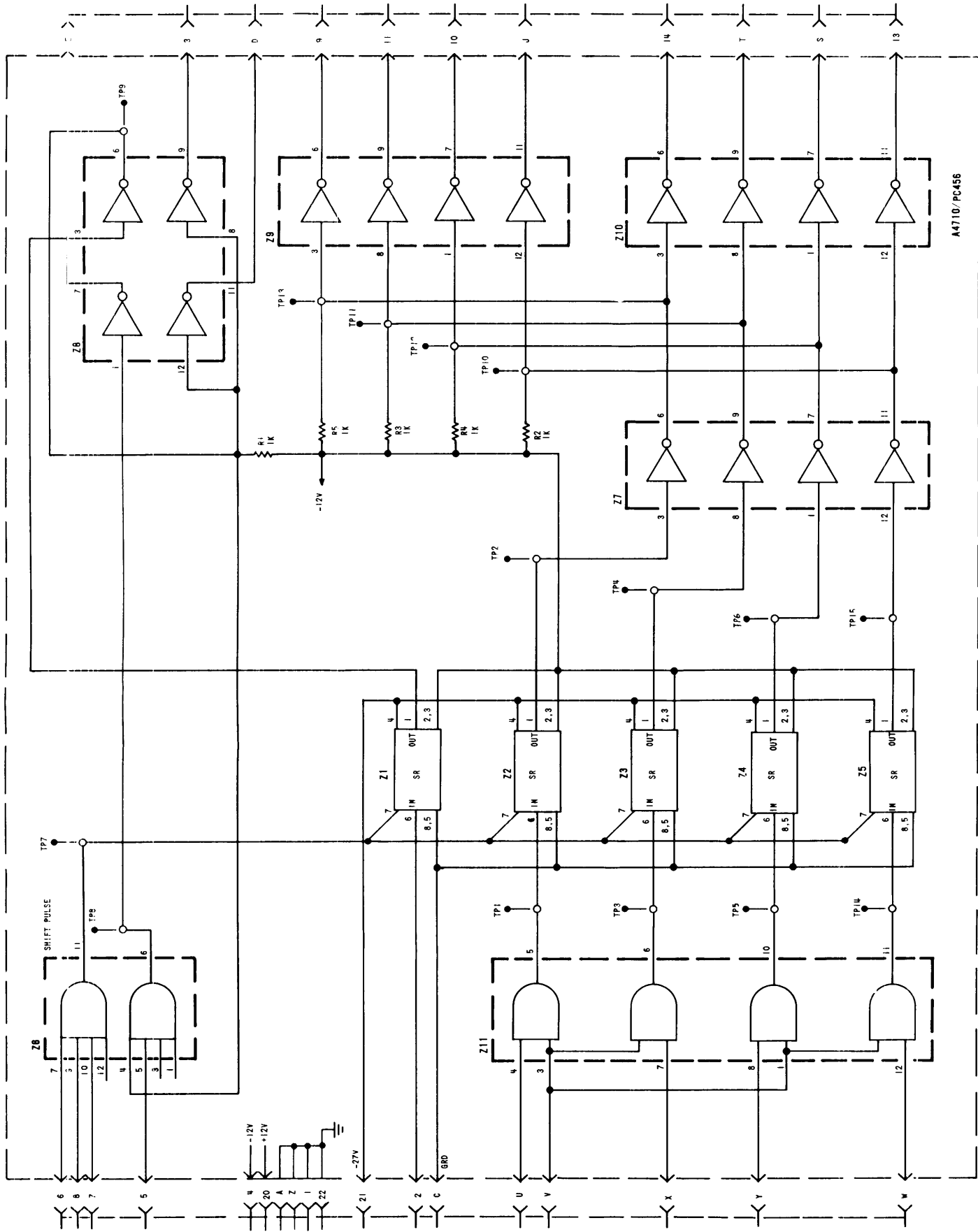
UNLESS OTHERWISE SPECIFIED:  
 1. ALL RESISTOR VALUES ARE IN OHMS, /K  
 2. PARTIAL REFERENCE DESIGNATIONS ARE SHOWN. FOR COMPLETE DESIGNATION, PREFIX WITH UNIT NUMBER AND SUB-ASSEMBLY DESIGNATION(S) AS APPLICABLE



CK 1549

Figure 5-126/5-127. Shift Timing Circuit 5A6, Schematic/Component Locations Diagram  
 011690392  
 5-205/5-206





MODULE VOLTAGE & GND CHART

SYMBOL	+12V	-12V	GND	-27V
Z1, TRN, Z5		7, 3	5, 8	u
Z6, Z11			2	
Z7, Z8, Z9, Z10		10		5

LAST SYMBOL	MISSING SYMBOL
R5	
TP15	
Z11	

UNLESS OTHERWISE SPECIFIED:

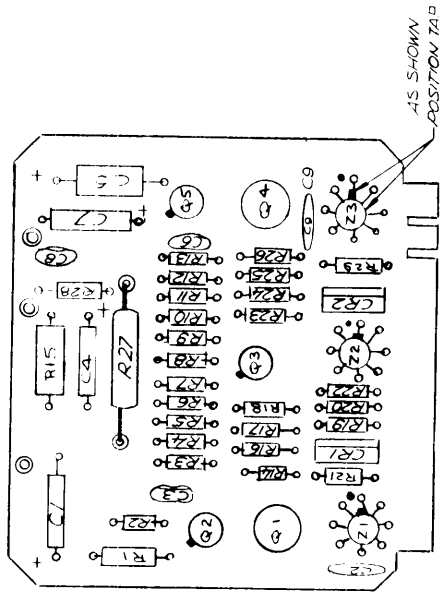
1. ALL RESISTOR VALUES ARE IN OHMS, 1/1W.
2. PARTIAL REFERENCE DESIGNATIONS ARE SHOWN; FOR COMPLETE DESIGNATION, PREFIX WITH UNIT NUMBER AND SUB-ASSEMBLY DESIGNATION (S) AS APPLICABLE.

CK 1551

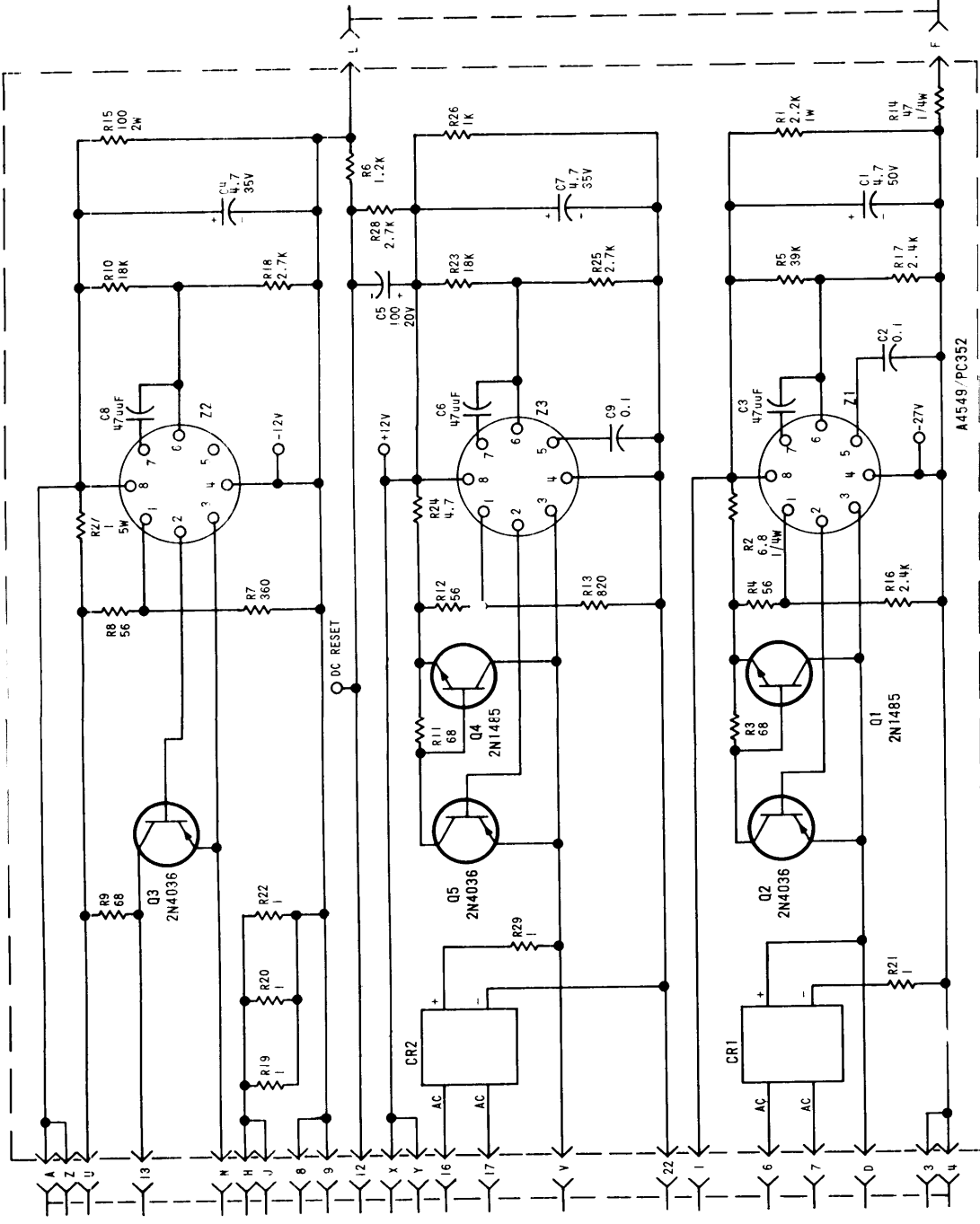
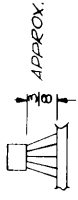
Figure 5-128/5-129. Integrated Shift Register 5A7, Schematic/Component Locations Diagram  
011690392







AS SHOWN  
ADDITION TAD



LAST SYMBOL	MISSING SYMBOL
C9	
CR2	
Q5	
R29	
Z3	

UNLESS OTHERWISE SPECIFIED:

1. ALL RESISTOR VALUES ARE IN OHMS. 1/2 WATT.
2. ALL CAPACITOR VALUES ARE IN MICROFARADS.
3. PARTIAL REFERENCE DESIGNATION ARE SHOWN: FOR COMPLETE DESIGNATION, PREFIX WITH UNIT NUMBER AND SUB-ASSEMBLY DESIGNATION(S) AS APPLICABLE.

CK 1544

Figure 5-130/5-131. Power Supply 5A10, Schematic/Component Locations Diagram

011690392

5-209/5-210

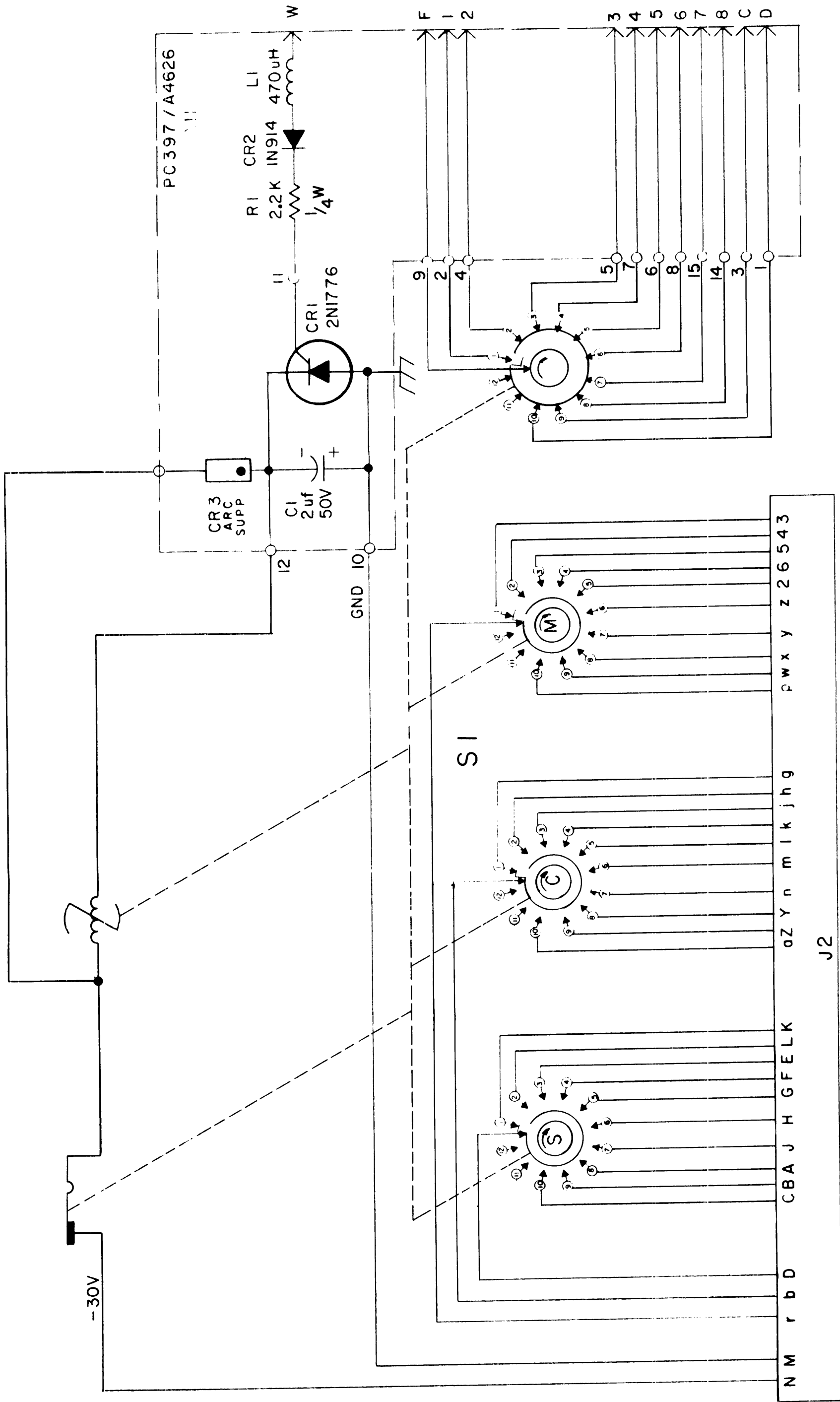


Figure 5-132/5-133. Readback Selector 5A11, Schematic/Component Locations Diagram  
 011690392  
 5-211/5-212

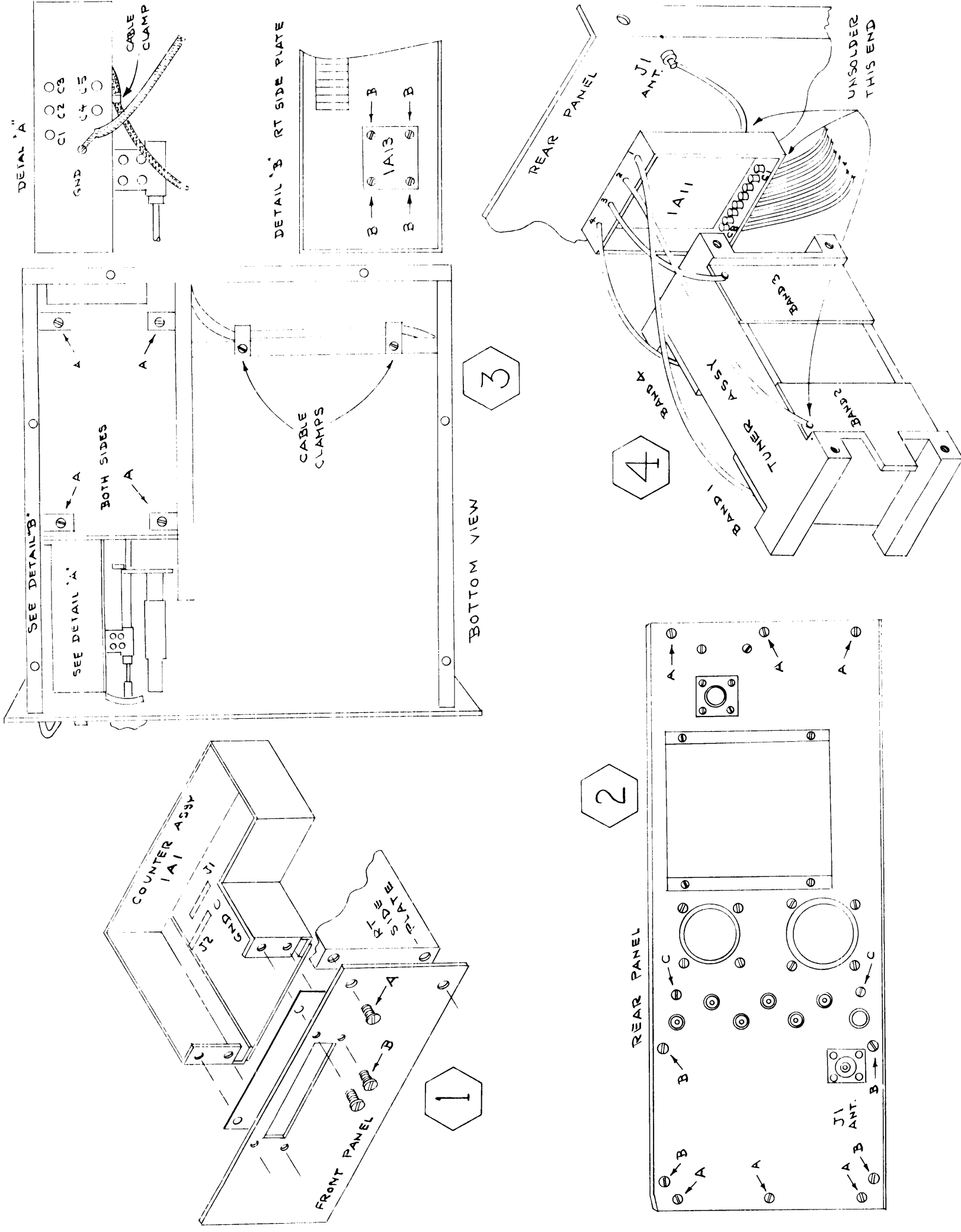


Figure 5-134. Removal of R. F. Tuner and Counter Assemblies