

UNCLASSIFIED

TECHNICAL MANUAL

*for*

TRANSMITTER CONTROL

MODEL LRCM-1



THE TECHNICAL MATERIEL CORPORATION  
MAMARONECK, N.Y.

OTTAWA, ONTARIO



## NOTICE

THE CONTENTS AND INFORMATION CONTAINED IN THIS INSTRUCTION MANUAL IS PROPRIETARY TO THE TECHNICAL MATERIEL CORPORATION TO BE USED AS A GUIDE TO THE OPERATION AND MAINTENANCE OF THE EQUIPMENT FOR WHICH THE MANUAL IS ISSUED AND MAY NOT BE DUPLICATED EITHER IN WHOLE OR IN PART BY ANY MEANS WHATSOEVER WITHOUT THE WRITTEN CONSENT OF THE TECHNICAL MATERIEL CORPORATION.

## FOREWORD

### GENERAL DESCRIPTION

Transmitter Control, Model LRCM-1, is a remote control modular system used to tune, monitor and control a TMC TechniMatic\* transmitter system comprising six transmitters.

The LRCM comprises six transmitter control modules AX568 and two remote gain control modules AX614, all of which are mounted onto a common frame assembly A5037.

The AX568 provides a means of remotely tuning, monitoring and controlling a single transmitter.

The AX614 provides a means of remotely controlling the power output level of three transmitters.

The A5037 frame assembly provides a means for mounting the eight modular units, comprising the LRCM, into a standard 19-inch wide equipment rack or console.

### INSTALLATION

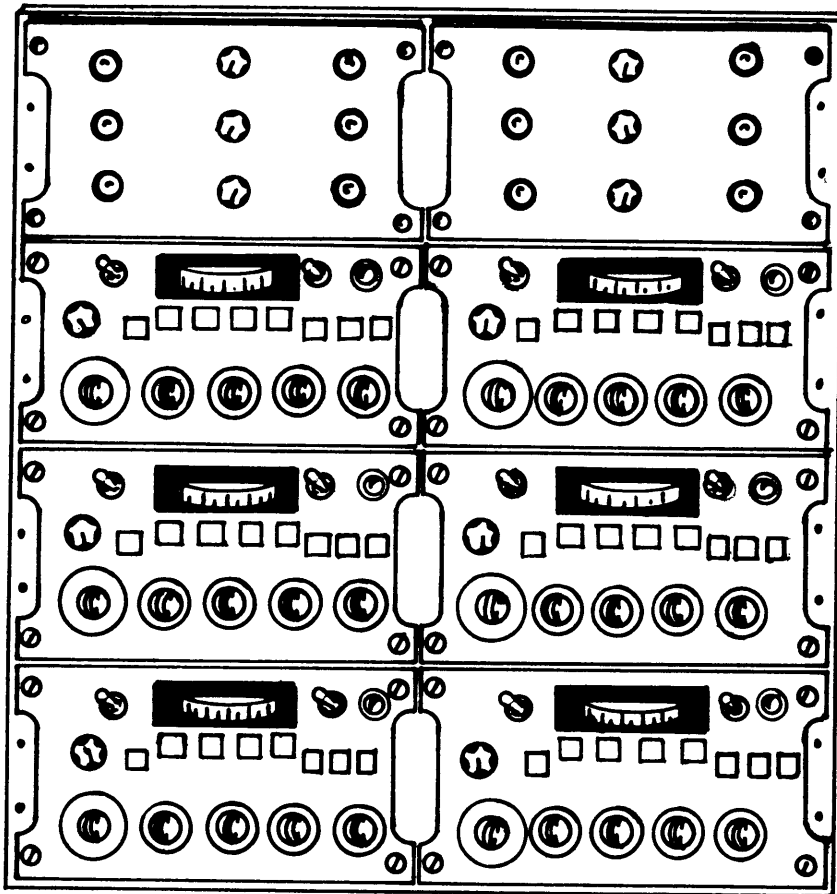
Mechanical installation of the LRCM is discussed in the individual modular unit technical manuals. An outline dimensional drawing of the LRCM modular units and frame assembly is provided for reference data.

An electrical installation diagram is provided for installing the LRCM to a remote transmitter system. The installation diagram provided illustrates electrical termination data for connection of one AX568 modular unit to an associated transmitter. This installation diagram is to be used for all of the six AX568 modular units, to their associated transmitters, comprising the LRCM.

\*Trademark applied for.

AX614

AX614



AX568

AX568

AX568

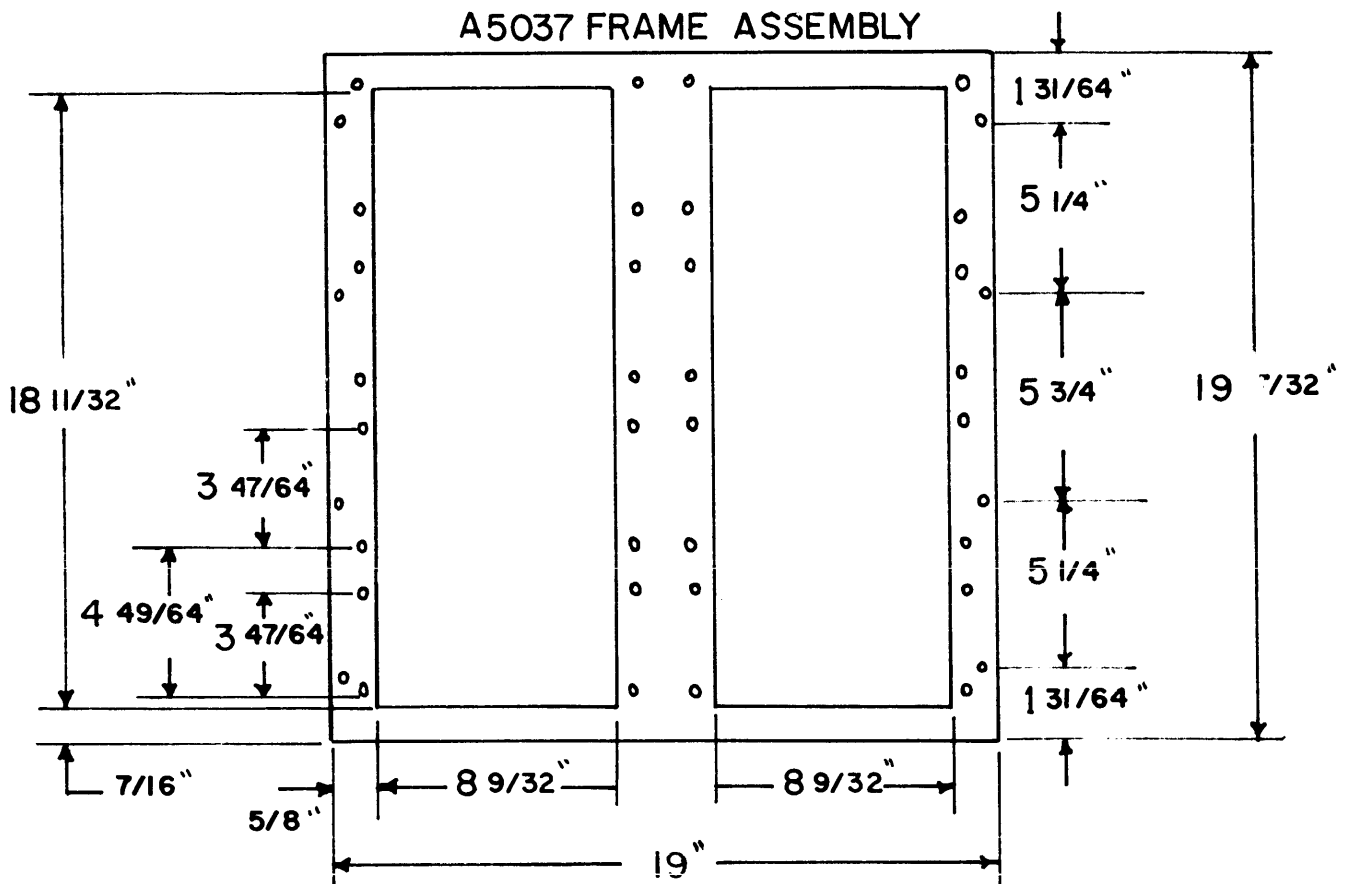
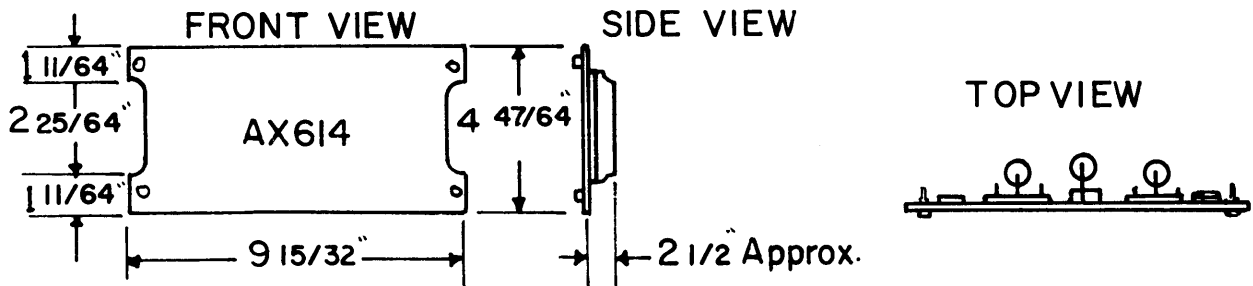
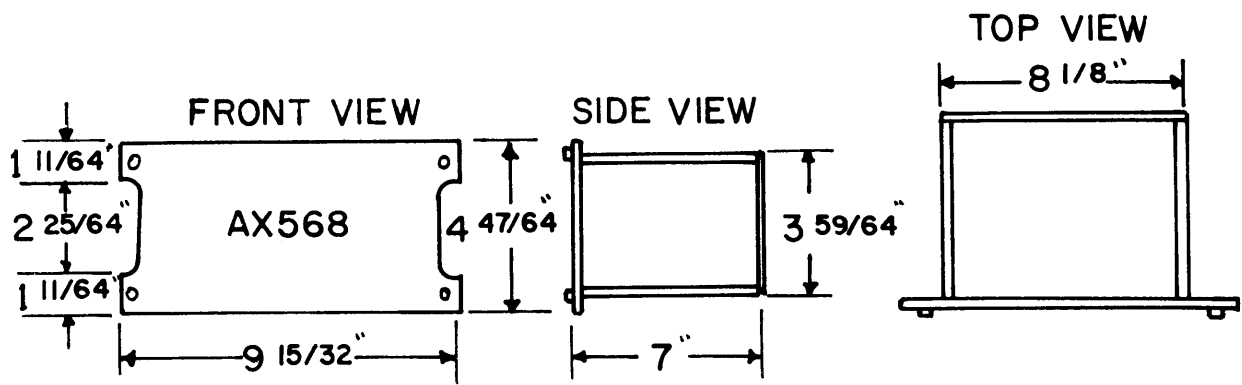
AX568

AX568

AX568

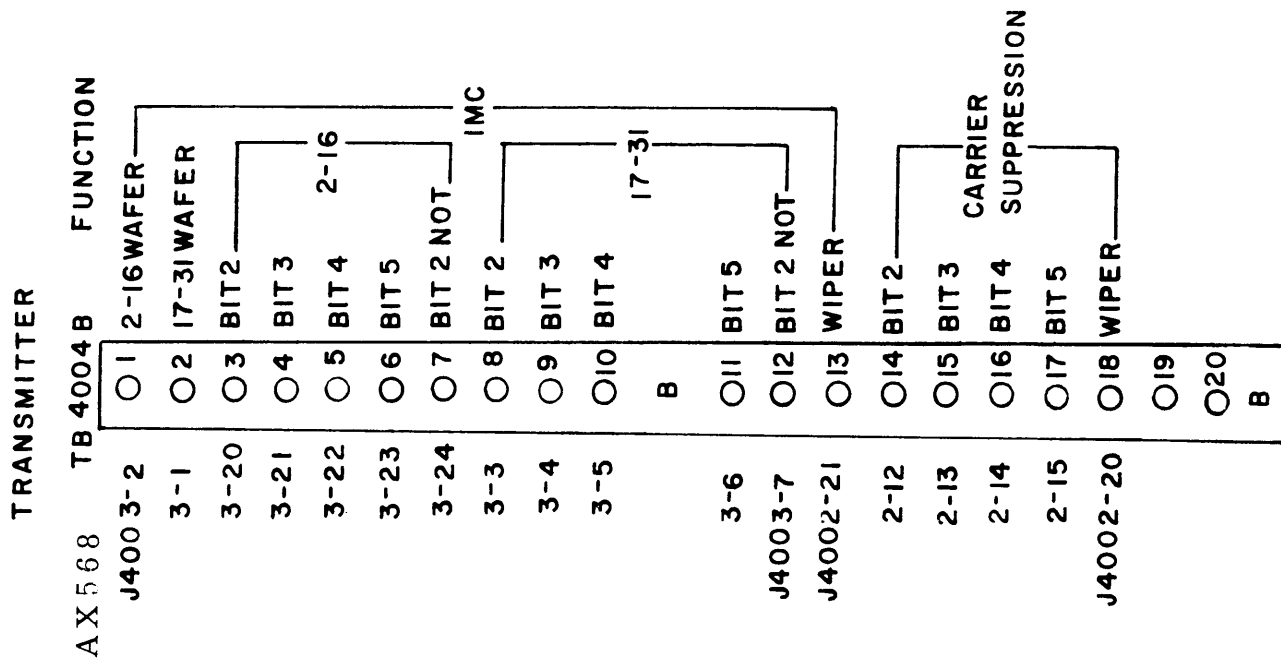
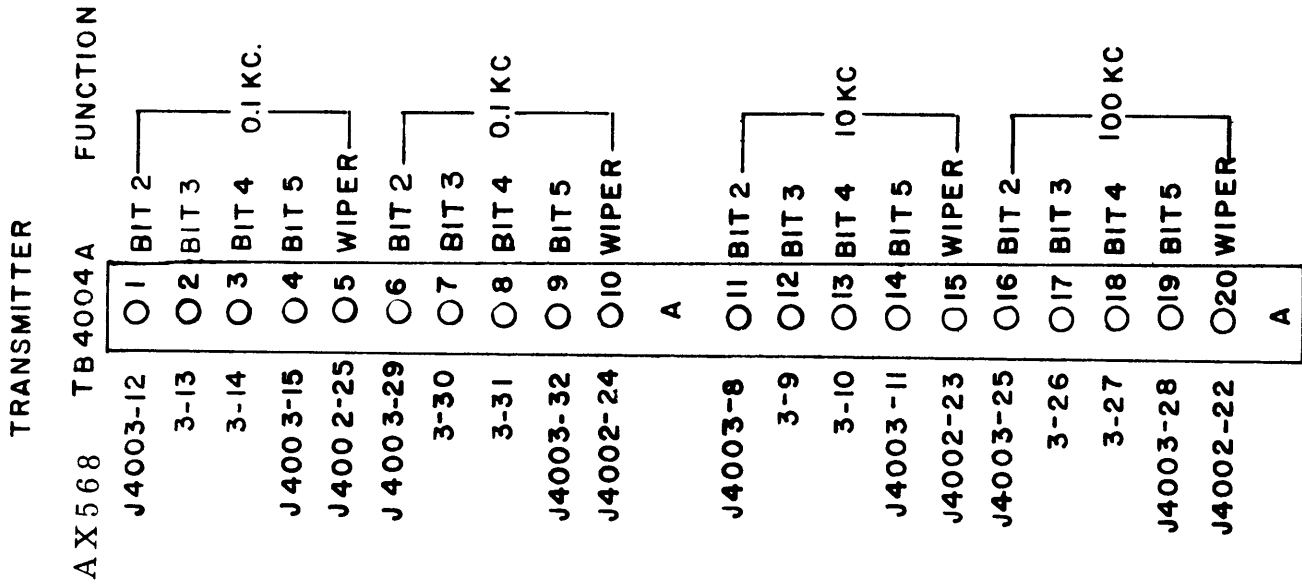
A5037

Transmitter Control, Model LRCM-1



NOTE:  
ALL DIMENSIONS IN INCHES

Outline Dimensional Drawing



Installation Diagram, AX568 to Remote Transmitter

TRANSMITTER

TRANSMITTER

AX568	TB4004D	FUNCTION	AX568	TB4004E	FUNCTION
J4002-1	1	FAULT LIGHT	J4001-9	1	COM
2-2	2	COM GND	1-6	2	B+ ON
2-10	3	COM GND	1-7	3	OVLD
2-9	4	SYNC LIGHT	1-8	4	METER
2-5	5	TUNE - OVRDE S.W.	1-2	5	A1 EN
2-6	6	28V IN	1-3	6	A2 EN
2-7	7	FAULT S.W.	1-4	7	B1 EN
	8		1-5	8	B2 EN
	9		1-13	9	FWD.
	10		1-14	10	SHIELD
	11			11	
	12		1-15	12	REFL.
	13		1-14	13	SHIELD
	14		1-12	14	B+
	15		1-11	15	COM.
	16		1-10	16	OVLD.
	17		J4001-1	17	ON AIR LIGHT
	18		J4002-16	18	SIMPLEX
	19		2-17	19	
	20		2-18	20	
	21			21	