

★
MASTER COPY
DO NOT DESTROY

TECHNICAL INFORMATION

for

ANTENNA DISTRIBUTION UNIT

MODEL HFD-3



THE TECHNICAL MATERIEL CORPORATION

MAMARONECK, N.Y.

OTTAWA, ONTARIO

★
Printed in U.S.A.



TECHNICAL INFORMATION

for

ANTENNA DISTRIBUTION UNIT

MODEL HFD-3



THE TECHNICAL MATERIEL CORPORATION
MAMARONECK, N. Y.

OTTAWA, CANADA



NOTICE

THE CONTENTS AND INFORMATION CONTAINED
IN THIS INSTRUCTION MANUAL IS PROPRIETARY
TO THE TECHNICAL MATERIEL CORPORATION
TO BE USED AS A GUIDE TO THE OPERATION
AND MAINTENANCE OF THE EQUIPMENT FOR
WHICH THE MANUAL IS ISSUED AND MAY NOT
BE DUPLICATED EITHER IN WHOLE OR IN
PART BY ANY MEANS WHATSOEVER WITHOUT
THE WRITTEN CONSENT OF THE TECHNICAL
MATERIEL CORPORATION.

Printed in U.S.A.

ANTENNA DISTRIBUTION UNIT

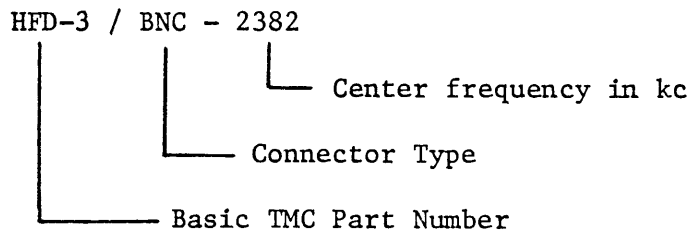
MODEL HFD-3

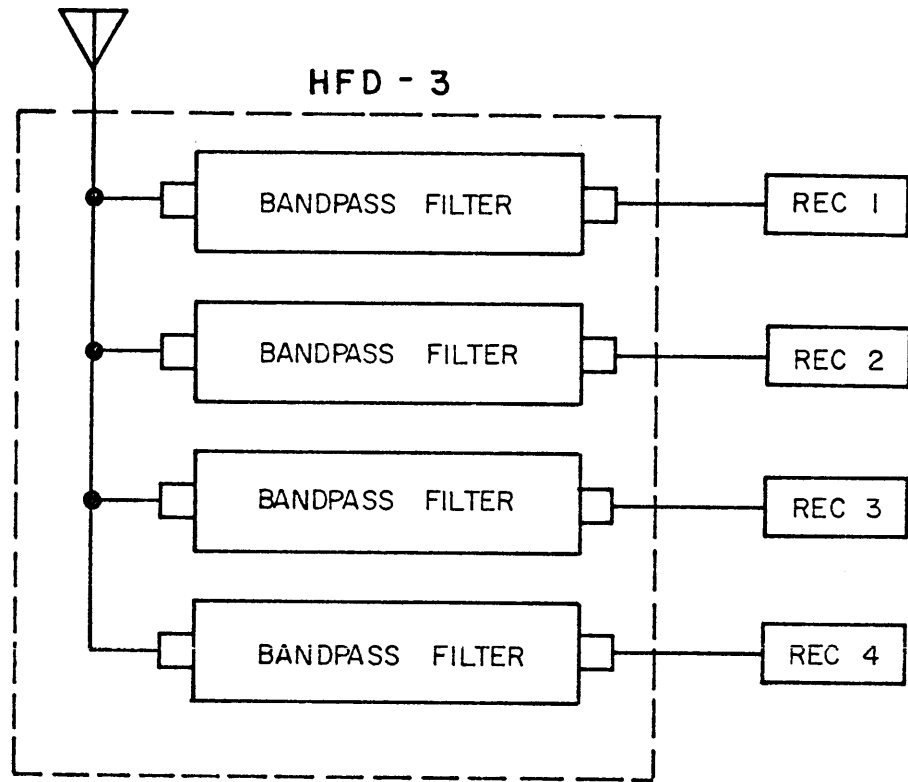
The Technical Materiel Corporation, Model HFD-3 is a passive Antenna Distribution Unit incorporating up to four separate bandpass filters that provide up to four receiver outputs from a single antenna input with minimum receiver interaction.

The HFD-3 is readily available to provide coverage from 1.5 mc to 15 mc (depending upon filter(s) selected). Installation and mounting data, for the HFD-3 are the same as The Technical Materiel Corporation's standard HFD & LFD series of Antenna Distribution Units.

Figure A-1 represents a typical block diagram of the HFD-3.

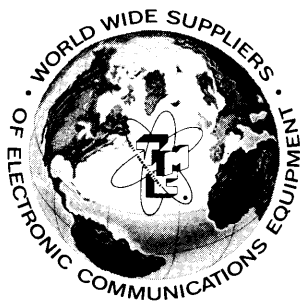
When ordering the HFD-3, specify each center frequency in khz, and the number of outputs required. The HFD-3 should be ordered as follows:





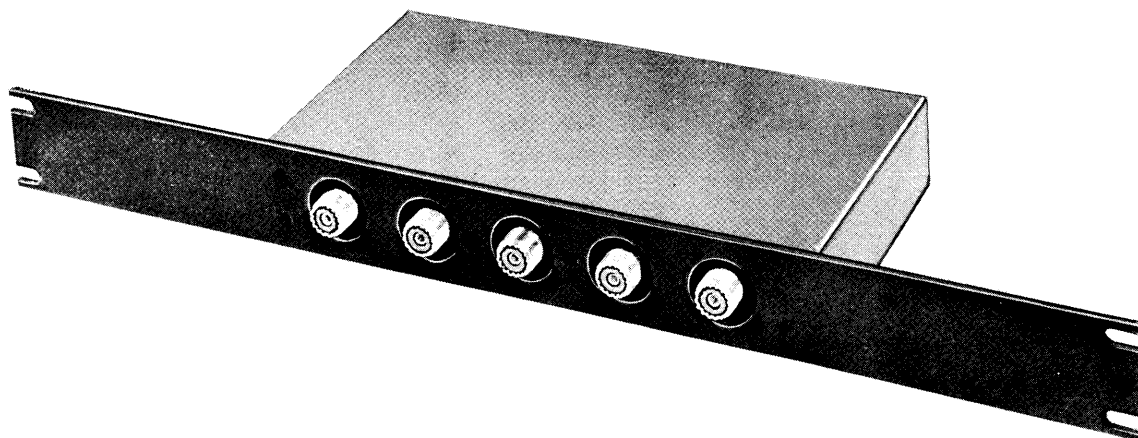
SIMPLIFIED BLOCK DIAGRAM , ANTENNA DISTRIBUTION UNIT
HFD-3

FIGURE A-1



TECHNICAL BULLETIN NUMBER 8007

Antenna Distribution Units
Models HFD-1 & 2
LFD-1 & 2



- 15 kc to 2 mc — Model LFD
- 2 to 30 mc — Model HFD
- Minimum interaction and insertion loss
- Specially designed broadband transformer
- Compact design
- Four receiver—single antenna operation

The Technical Materiel Corporation's Models HFD and LFD are passive antenna distribution units incorporating a special design broadband RF transformer that provides four receiver outputs from a single antenna input with minimum receiver interaction.

Models are available to provide coverage from 15 kc to 2 mcs and 2 mcs to 30 mcs with a wide variety of front and rear RF connections. For your convenience, a chart is included showing these variations.

The standard models are supplied for unbalanced input and output. Balanced input and output may be supplied on request.

Antenna Distribution Units

TECHNICAL SPECIFICATIONS, TMC MODELS HFD AND LFD

FREQUENCY RANGE:	HFD-1 & 2 - 2 to 30 mcs. LFD-1 & 2 - 15 kc to 2 mcs.
FREQUENCY RESPONSE:	HFD-1 & 2 - Flat within ± 0.5 db LFD-1 & 2 - Flat within ± 2 db
INSERTION LOSS:	Approximately 1 db.
INPUT IMPEDANCE:	50 or 70 ohms unbalanced, nominal.
OUTPUT IMPEDANCE:	HFD-1 & 2 - 50 or 70 ohms unbalanced, nominal. LFD-1 & 2 - 50 or 70 ohms unbalanced, nominal.
RF CONNECTORS:	See chart.
MOUNTING:	Standard 19" rack mounting.
INSTALLATION DATA:	Models HFD-1 & 2, LFD-1 & 2. Weight: Approximately 2 lbs. Approximately 6 lbs., commercial packed. Size: 19" w \times 1 $\frac{3}{4}$ " h \times 5 $\frac{1}{2}$ " d.
COMPONENTS AND CONSTRUCTION:	Equipment is manufactured in accordance with JAN/MIL specifications wherever practicable.

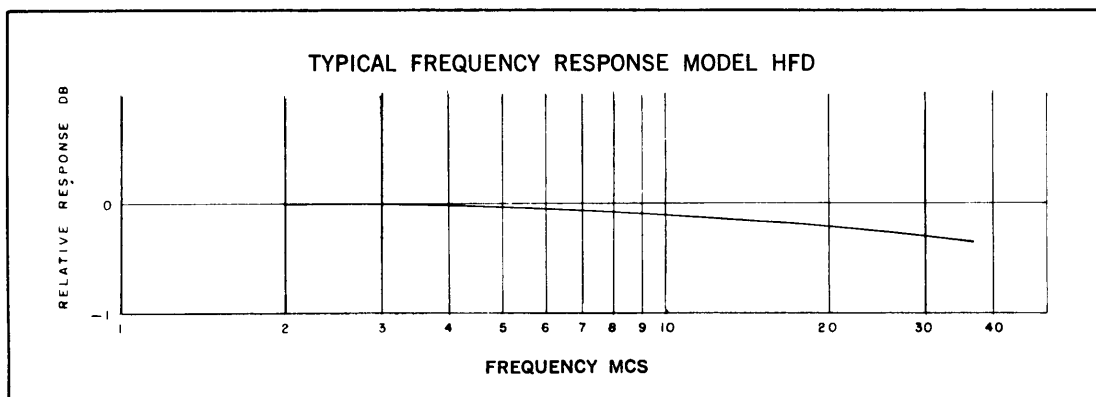
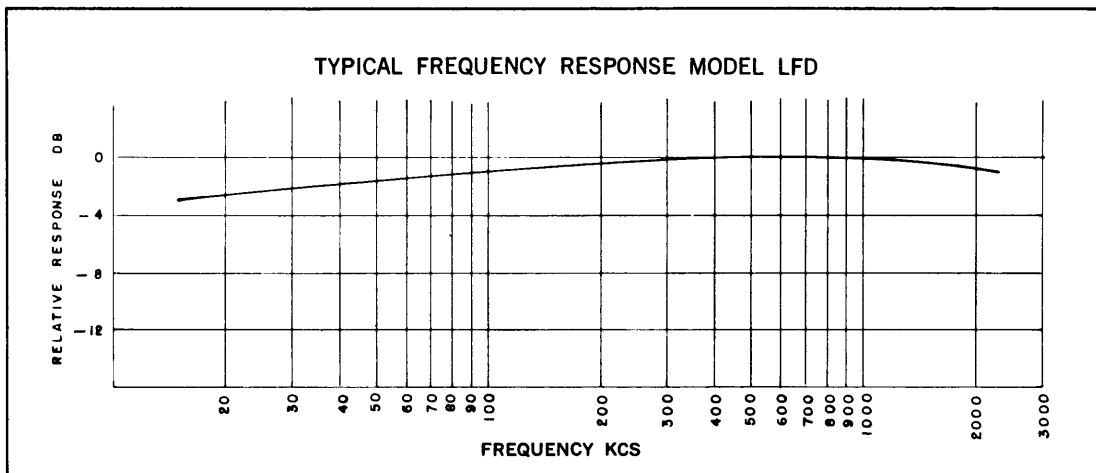
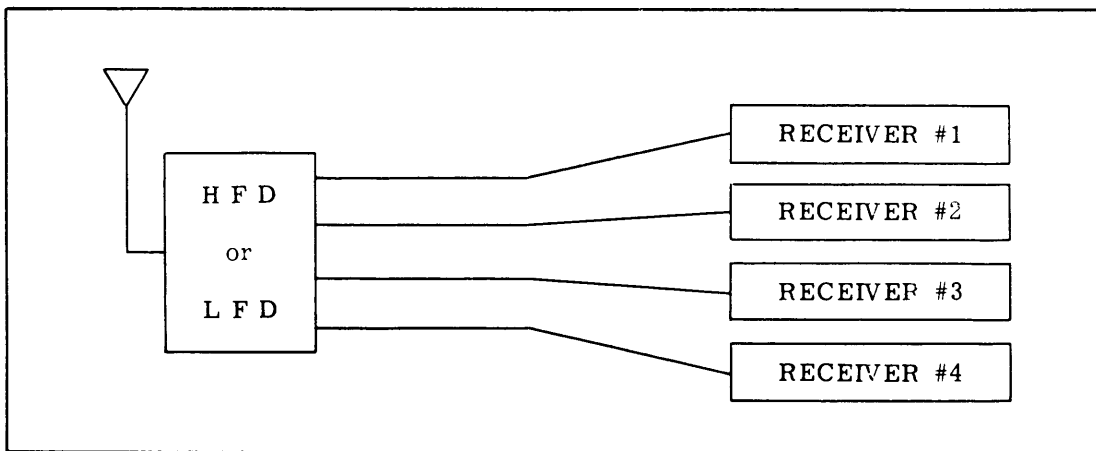
ORDERING INFORMATION:

When ordering type of connector, prefix type of connector with model and design designation.

EXAMPLE:

HFD-2/BNC

FRONT OR REAR CONNECTION	TYPE OF CONNECTOR
1 (Rear Connection)	BNC C N
2 (Front Connection)	QDM QDS UHF



COPYRIGHT 1964
THE TECHNICAL MATERIEL CORP.

P



THE TECHNICAL MATERIEL CORPORATION

CABLE "TEPEI"

TWX 914-835-3782

MAMARONECK, N. Y. 10544

THE WORLD-WIDE SYSTEM OF REMOTE CONTROLLED COMMUNICATIONS

and Subsidiaries ALEXANDRIA, VIRGINIA • GARLAND, TEXAS • SAN LUIS OBISPO, CALIFORNIA
OXNARD, CALIFORNIA • POMPANO BEACH, FLORIDA • OTTAWA, CANADA • LUZERN, SWITZERLAND