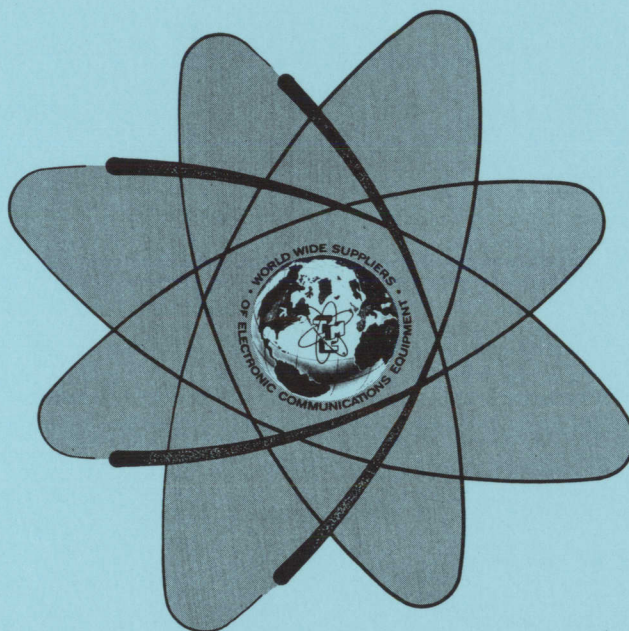


TECHNICAL MANUAL
for

GENERAL PURPOSE TRANSMITTER

MODEL GPTM-2.5KJ2



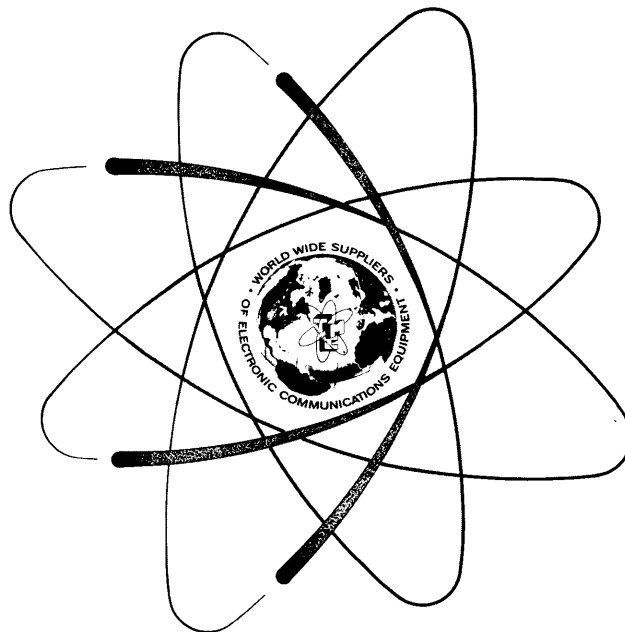
THE TECHNICAL MATERIEL CORPORATION
MAMARONECK, N.Y.

OTTAWA, ONTARIO

COPYRIGHT 1971
THE TECHNICAL MATERIEL CORPORATION

Printed in U.S.A.

TECHNICAL MANUAL
for
GENERAL PURPOSE TRANSMITTER
MODEL GPTM-2.5KJ2



THE TECHNICAL MATERIEL CORPORATION
MAMARONECK, N.Y. OTTAWA, ONTARIO

COPYRIGHT 1971
THE TECHNICAL MATERIEL CORPORATION

Printed in U.S.A.

IN: 1064

Issue Date: APRIL 1971

IN 1009

27 April 1971

Technical Manual for GPTM-2.5

The General Purpose Transmitter model GPTM-2.5 is similar to the PALA-2.5K with the exception that all automated circuitry has been deleted and the Sideband Exciter model MMX()2 is located in the equipment rack. Table 1-1 lists the major components of the PALA-2.5K and the GPTM-2.5K as they appear in the equipment rack.

When the following listed changes and deletions are made, the PALA-2.5K technical manual will apply as written for the GPTM-2.5.

TABLE 1-1. MAJOR COMPONENTS

PALA-2.5K (Automated)	GPTM-2.5K (Manual)
SWCA-3K	SWCB-3K
TLAA-2.5K	TLAC-2.5K
TCSA	MMX(M)2
TCP-1A	TCP-3A
AX-633	AX-647
AP-128A	AP-128A
AP-129	AP-129
RAK-111-2	RAK-110-2

SECTION 1

Paragraph 1-1

Delete all references made to automatic and remote tuning.

Paragraph 1-2

- a. Exchange the nomenclature of SWCA-3K to SWCB-3K.
Delete the second sentence "Control circuits are incorporated to preposition associated system bandswitch controls".
Change the nomenclature of TLAA-2.5K to TLAC-2.5K.
- b. Delete the second sentence beginning with "These circuits are motor-controlled,"
- c. Delete paragraph c and all references to the TCSA. (This unit is not used in the GPTM-2.5).
- d. Delete the third sentence beginning with "Other controls enable servo activation,"
- e. Change the nomenclature of AX-633 to AX-647.
- f. Change cabinet nomenclature from RAK-111-2 to RAK110-2.
Change the paragraph to read as follows: "The RAK houses all the components comprising the GPTM-2.5, measuring 72 inches high by 25-1/4 inches wide by 30 inches deep.

Paragraph 1-3

Technical characteristics for the PALA-2.5K are the same for GPTM-2.5. Refer to the MMX()2 technical manual and include the exciter specifications as part of the overall specifications.

Disregard Table 1-1 on page 1-2, and refer to table 1-1 in this addendum.

Replace figure 1-2 with new figure 1-2 supplied.

SECTION 2

Refer to figure 1-2 in conjunction with figure 2 supplied with this addendum for equipment location in equipment rack.

On figure 2-2 Outline Dimensional Diagram (page 2-3), change the dimensions as follows: 42" change to 63"
51" change to 72"

The installation procedure for the GPTM is the same as the PALA-2.5K/ Follow the procedure outlined in the PALA-2.5K technical manual with this exception, disregard paragraph 2-8 and install the MMX Exciter in the equipment rack referring to figure 2 for equipment location.

Replace figure 2-12 with new figure 2-12 attached.

Replace figure 2-13 with new figure 2-13 attached.

Add figure 2-14 directly after 2-13.

SECTION 3

Delete paragraph 3-3 Servo Tuning Procedure.

When tuning the GPTM-2.5 refer to paragraph 3-2 in the PALA-2.5K technical manual and section 3 of the MMX(M)2 technical manual.

Change TABLE 3-1. CONTROLS AND INDICATORS as follows:

<u>Item No.</u> <u>(Fig. 3-1)</u>	<u>Designation</u>	<u>Function</u>
2	High voltage lamp	Same as item 3
6	Power limit control	Deleted
8	FAULT lamp	Deleted
11	Power limit control	Deleted
17	RF trigger	Deleted
24 thru 33	RFPO, OPERATE, SEARCH, AC ON lamps	Deleted
36	XMR TUNING AUTO/MANUAL	Deleted
38	TUNE	Deleted
39	BANDSWITCH AUTO/MANUAL	When set at AUTO, enables activation of automatic bandswitching
58	SENSE switch	Deleted
59	SENSE jack	Deleted

SECTION 4

All references made to automatic circuitry and servo tuning, in text and illustrations in the following paragraphs should be deleted:

paragraph 4-10 through 4-19.

SECTION 5

Table 5-1 Troubleshooting Chart

Delete items 13 thru 20 as these are not applicable to the GPTM-2.5.

Delete paragraph 5-10 Automatic Tuning Adjustments.

Delete paragraph 5-13 Fault Light Adjustment.

Delete paragraph 5-14 Second Amp Servo Motor Replacement

Delete paratraph 5-15 Tune and Load

Delete paragraph 5-18 Adjustment of Drive motor limit switches.

SECTION 6

Insert the following parts list changes:

Replace: Parts List for RAK-111-2
With: Parts List for RAK-110-2

Replace: Parts List for TCP-1A
With: Parts List for TCP-3A

Replace: Parts List for SWCA-3K
With: Parts List for SWCB-3K

Replace: Parts List for AX-633
With: Parts List for AX-647

Replace: Parts List for TLAA-2.5K
With: Parts List for TLAC-2.5K

SECTION 7

Remove figure 7-1 and replace with new figure 7-1 attached.
Remove figure 7-2 and replace with new figure 7-2 attached.
Remove figure 7-3 and replace with new figure 7-3 attached.
Remove figure 7-6 and replace with new figure 7-6 attached.

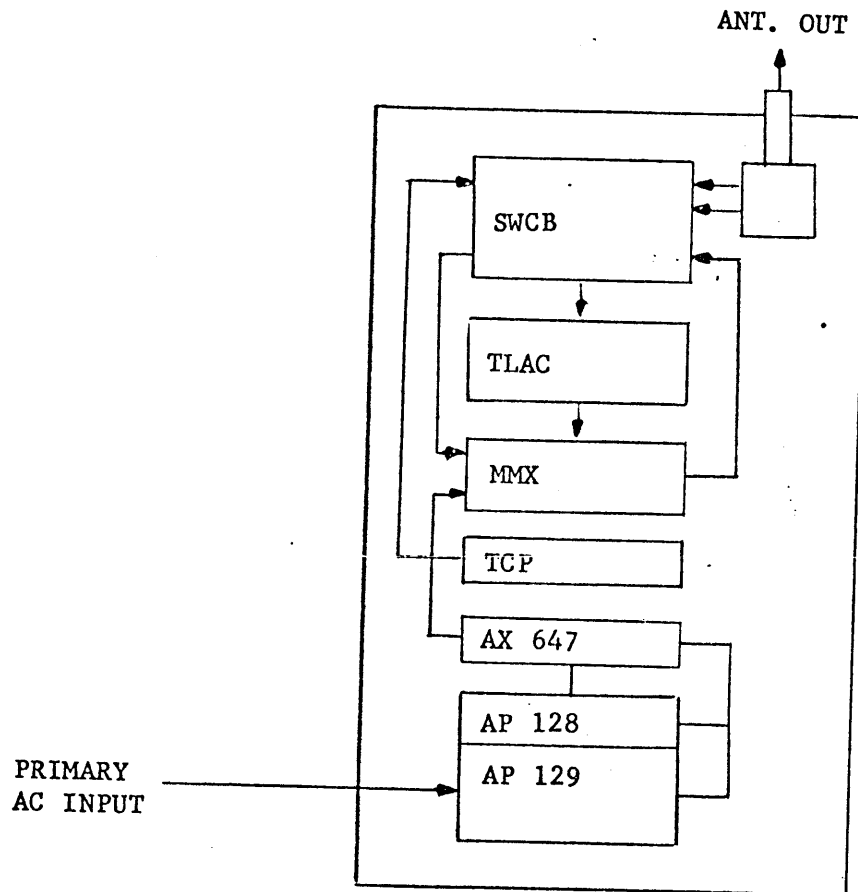
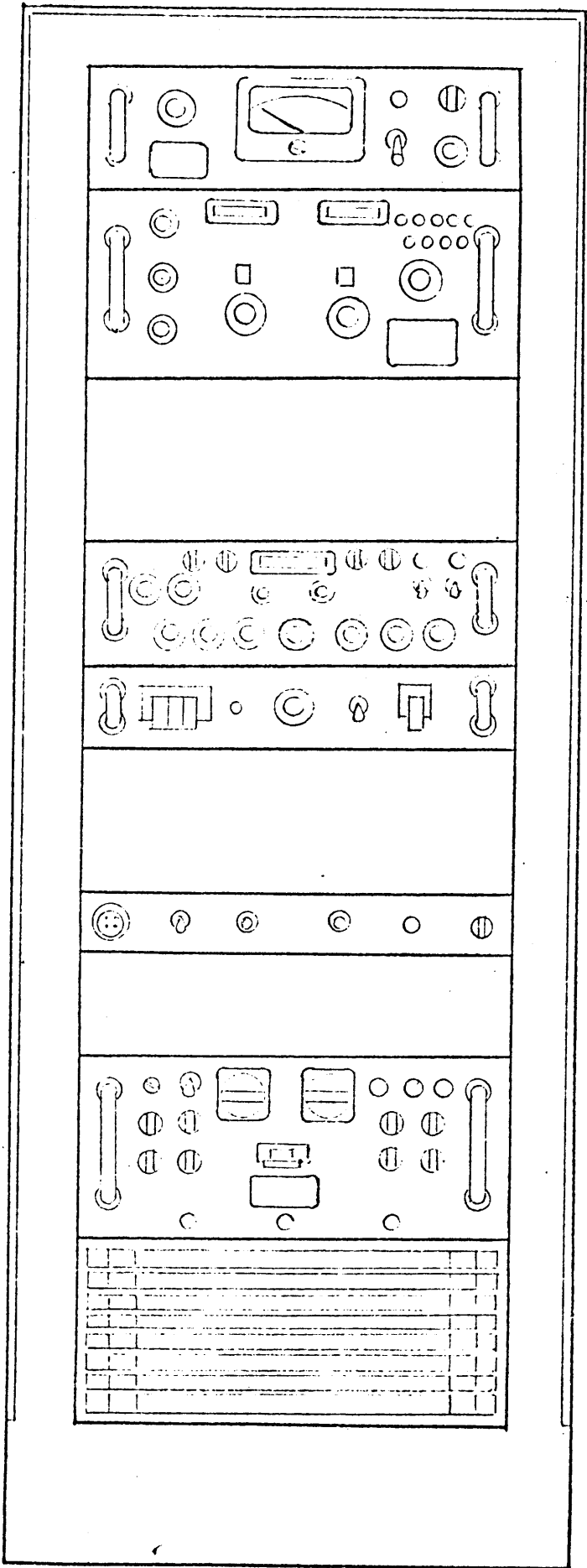


Figure 1-2. TYPICAL SYSTEM CONFIGURATION



SWCB-3K

TLAC-2.5K

BLANK

MMX

TCP-3A

BLANK

AX647

BLANK

AP128

AP129
BEHIND GRILL

Figure 2 Equipment Location GPTM-2.5

PARTS LIST
for
TRANSMITTER CONTROL PANEL, MODEL TCP-3

REF SYMBOL	DESCRIPTION	TMC PART NUMBER
C4000	CAPACITOR, FIXED, ELECTROLYTIC: 75 uf, -10% +150% at 120 cps (Hz) at 25°C; 50 WVDC; polarized.	CE105-75-50
CB4000	CIRCUIT BREAKER: 3 solenoids, each w/SPDT contact arrangement; current rating 25 amps; voltage rating 250 VAC, 50/60 cps (Hz); plastic case, fungus and moisture treated.	SW417-1
CB4001	CIRCUIT BREAKER: SPST; trip voltage 20 VAC, 50 amps; plastic case, fungus and moisture treated.	SW418-1
CR4000	SEMICONDUCTOR DEVICE, DIODE	1N2484
DS4000	LAMP, INDICATOR: with white lens; 5 V at 0.06 amps for 60,000 hrs. or 6.3 V at 0.07 amps for 6,000 hrs.	BI116-1-5
E4000	TERMINAL BOARD, BARRIER: sixteen 6-32 thd. x 1/4" long binding head machine screws; phenolic body.	TM102-16
E4001	TERMINAL BOARD, BARRIER: twelve 6-32 thd. x 1/4" long binding head machine screws; phenolic body.	TM102-12
J4000	CONNECTOR, RECEPTACLE, ELECTRICAL: 7 male contacts.	MS3102A24-10P
J4001	CONNECTOR, RECEPTACLE, ELECTRICAL: male.	MS3102A32-414 P
K4000	RELAY, ARMATURE: DPDT; 24 VDC, 400 ohms; contacts rated for 10 amps resistive at 115 VAC or 5 amps inductive at 26 VDC; nominal coil power 1 to 2 watts.	RL168-2C10-24 DC
K4001	RELAY, ARMATURE: 4PDT; contacts rated for 10 amps at 125 VAC resistive; coil rating 11,000 ohms, ±10%.	RL126
K4002	RELAY, ARMATURE: 4PDT; contacts rated for 20 amps at 125 VAC resistive; latch operate 190 VAC, ±5%, 60 cps.	RL123
K4003	RELAY, ARMATURE: 4PDT; contacts rated for 25 amps non-inductive load at 125 VAC.	RL127
K4004	Same as K4000.	
R4000	RESISTOR, FIXED, COMPOSITION: 10,000 ohms, ±5%; 2 watts.	RC42GF103J
R4001	RESISTOR, FIXED, COMPOSITION: 390 ohms, ±5%; 2 watts.	RC42GF391J
S4000	NOT USED	

PARTS LIST (CONT)

TRANSMITTER CONTROL PANEL, MODEL TCP-3

REF SYMBOL	DESCRIPTION	TMC PART NUMBER
S4001	SWITCH, TOGGLE: DPDT; nominal current rating 1 amp at 250 VAC/DC or 3 amps at 125 VAC/DC.	ST103-16-62
S4002	SWITCH, ROTARY: 1 section, 12 positions; 30° angle of throw; non-shorting type contacts.	SW250
S4003	SWITCH, PUSHBUTTON: w/red lens; current rating 250 ma, non-inductive, AC; 30 watts.	SW296-1
XDS4000	Non-replaceable item. Part of DS4000.	
XK4000	SOCKET, RELAY: 8 pin contact; saddle type.	TS101P01
XK4001 thru XK4003	NOT USED	
XK4004	Same as XK4000.	

PARTS LIST
for
RF CONTROL/INDICATOR, MODEL SWCB-3K

REF SYMBOL	DESCRIPTION	TMC PART NUMBER
C7000	CAPACITOR, FIXED, CERAMIC DIELECTRIC: 10,000 uuf, GMV; 500 WVDC.	CC100-16
C7001	Same as C7000.	
C7002	Same as C7000.	
C7003	CAPACITOR, FIXED, ELECTROLYTIC: 500 uf, 50 WVDC; polarized.	CE116-10VN
C7004 thru C7008	Same as C7000.	
CR7000	SEMICONDUCTOR DEVICE, DIODE	1N3027B
CR7001 thru CR7003	NOT USED	
CR7004	SEMICONDUCTOR DEVICE, DIODE	1N2484
DS7000	NOT USED	
DS7001	LAMP, INCANDESCENT: 28.0 VAC/DC; 0.04 amps; single contact, T-1-3/4 bulb.	BI110-7
F7000	FUSE, CARTRIDGE: 1 amp; time lag; 1-1/4" long x 1/4" dia.; slo-blo.	FU102-1
J7000	NOT USED	
J7001	NOT USED	
J7002	CONNECTOR, RECEPTACLE, ELECTRICAL: 44 female contacts, rated for 5 amps at 1,800 V RMS; for double sided printed circuit board, with floating bushing.	JJ319-22DFE
J7003	CONNECTOR, RECEPTACLE, ELECTRICAL: RF; 1 round female contact, straight type; 52 ohms; series BNC to BNC.	UG625*/U
J7004	Same as J7003.	

PARTS LIST (CONT)

RF CONTROL/ INDICATOR, MODEL SWCB-3K

REF SYMBOL	DESCRIPTION	TMC PART NUMBER
K7000	RELAY, ARMATURE: DPDT; 700 ohms, $\pm 10\%$ DC resistance; operating voltage 24 VDC; current rating 35 ma; power rating 700 mw at 25°C; 8 contacts rated for 3 amps at 115 VAC or 5 amps at 29 VDC; clear high impact styrene dust cover case.	RL156-1
K7001	RELAY, ARMATURE: 4PDT; 485 ohms each coil, $\pm 10\%$ DC resistance; operating voltage 24 VDC; current rating 49 ma each coil; power rating 1,200 mw at 25°C; 16 contacts rated for 0.5 amps at 115 VAC or 1 amp at 29 VDC; clear high impact styrene dust cover case.	RL156-10
K7002	RELAY, HI-SEN: insulated for 400 VDC or 300 VAC; calibrated at 77°F; 9 male contacts, open 51 ua, closed 50 ua; 2,700 ohms; corrosion resistant aluminium case.	RL158
L7000	COIL, RADIO FREQUENCY: fixed; 0.150 uh, $\pm 10\%$; current rating 400 ma.	CL140-2
L7001	Same as L7000.	
L7002	Same as L7000.	
M7000	NOT USED	
M7001	METER, SWR/KW	MR196
Q7000	TRANSISTOR	2N697
R7000	RESISTOR, FIXED, COMPOSITION: 2,200 ohms, $\pm 5\%$; 1/2 watt.	RC20GF222J
R7001	RESISTOR, FIXED, COMPOSITION: 1,500 ohms, $\pm 5\%$; 1/2 watt.	RC20GF153J
R7002	RESISTOR, FIXED, COMPOSITION: 22,000 ohms, $\pm 5\%$; 1/2 watt.	RC20GF223J
R7003	Same as R7000.	
R7004	RESISTOR, FIXED, COMPOSITION: 470,000 ohms, $\pm 5\%$; 1/2 watt.	RC20GF474J
R7005	NOT USED	

PARTS LIST (CONT)

RF CONTROL/INDICATOR, MODEL SWCB-3K

REF SYMBOL	DESCRIPTION	TMC PART NUMBER
R7006	RESISTOR, VARIABLE, COMPOSITION: 50 ohms, $\pm 10\%$; 2 watts.	RV4NAYSD500A
R7007	NOT USED	
R7008	NOT USED	
R7009	RESISTOR, FIXED, COMPOSITION: 220 ohms, $\pm 5\%$; 1/2 watt.	RC20GF221J
S7000B,C, D,E	SWITCH, ROTARY	SW438
S7001A,B	SWITCH, TOGGLE: DPDT; 6 contacts rated for 3 amps at 250 VAC or 6 amps at 125 VAC; bat type handle.	ST105
S7002	SWITCH, TOGGLE: SPDT; 28° angle of throw; bat type handle.	ST12D
XDS7000	NOT USED	
XDS7001	LIGHT, INDICATOR: w/amber lens, sub-miniature type.	TS153-3
XF7000	FUSEHOLDER: lamp indicating; accomodates cartridge fuse 1-1/4" long x 1/4" dia.; 22 to 33 V, 20 amps; incandescent lamp type with a 330 ohm lamp resistor; transparent amber flat sided knob; brown body.	FH104-11
XK7000	SOCKET, RELAY: with retainer; 12 male beryllium copper gold plated contacts; black phenolic body.	TS171-4
XK7001	SOCKET, RELAY: with retainer; 6 male beryllium copper gold plated contacts; black phenolic body.	TS171-5
XK7002	SOCKET, RELAY: 9 pin contact, rated for 3 amps at 1,250 V RMS at sea level; phenolic body.	TS100-7
Z7000	NOT USED	
Z7001	PRINTED CIRCUIT BOARD ASSEMBLY: consists of two capacitors C7003, C7004, two diodes CR7000, CR7004, one transistor Q7000, four resistors R7002, R7003, R7004, R7009, two relays K7000, K7001, and two relay sockets XK7000, XK7001.	A5411

RAK110-2

REF. SYMBOL	DESCRIPTION	TMC PART NUMBER
B8000	BLOWER	BL117
C8000	CAPACITOR, FIXED, P	CP41B1EF405K
C8001	CAPACITOR, FIXED, CERAMIC	CC109-38
C8002 thru C8006	Same as C8001	
CP8000	ADAPTOR, RF	UG1019/U
CP8003	ADAPTOR, RF	UG1019
DS8001	LAMP, INCANDESCENT	BI105-1
DS8002	Same as DS8001	
E8003	TERMINAL BOARD, BARRIER	TM102-2
E8004	TERMINAL BOARD, BARRIER	TM100-3
E8005	TERMINAL STRIP, BARRIER	TM100-22
E8006	Same as E8005	
E8007	TERMINAL STRIP, BARRIER	TM102-10
E8008	TERMINAL BOARD, BARRIER	TM102-14
E8009	TERMINAL STRIP, BARRIER	TM102-3
J8000	CONNECTOR, RECEPTACLE, FEMALE	MS3102A14S-2S
L8000	COIL, RADIO FREQUENCY FIXED	CL410
L8001	Same as L8000	
L8002	Same as L8000	
P8013	CONNECTOR, PLAIN, MALE	MS3106B14S-2P
R8000	RESISTOR, FIXED, COMPOSITION	RC42GF680J
S8000	SWITCH, LEVER	SW260
S8001	SWITCH, INTERLOCK	SW230

RAK110-2 (Cont'd)

REF SYMBOL	DESCRIPTION	TMC PART NUMBER
S8002	Same as S8001	
S8003	Same as S8001	
S8004	Same as S8001	
S8005	Same as S8001	
S8006	Same as S8001	
S8007	Not Used	
S8008	SWITCH, THERMAL	SS104-2
T8000	TRANSFORMER, AUTOMATIC	TF342
XDS8000	INDICATOR, LIGHT	TS184
XDS8001	LAMPHOLDER	TS186
XDS8002	Same as XDS8001	
XDS8003	Same as XDS8000	

PARTS LIST
for
ALARM PANEL
MODEL AX647

REF SYMBOL	DESCRIPTION	TMC PART NUMBER
C9000	Capacitor, Fixed, Electrolytic	CE105-25-50
CP9000	Adaptor, Connector, BNC	UG492D/U
CP9001	Same as CP9000	
CR9000	Scond, Device, Diode	1N2482
DS9000	Buzzer	BZ101-1
E9000	Terminal, Board, Barrier	TM100-14
F9000	Fuse, Ctg	FU100-.5
J9000	Jack, Telephone	JJ116-10
J9001	Connector, Receptacle, BNC	JJ172
J9002	Same as J9001	
P9000	Connector, Receptacle, BNC	PL244-1
P9001	Same as P9000	
R9001	Resistor, Fixed, Composition	RC32GF331J
S9000	Switch, Toggle, SPST	ST103-1-62
XF9000	Fuseholder, Ind	FH104-11

TLAC-2.5K RF AMPLIFIER

REF SYMBOL	DESCRIPTION	TMC PART NUMBER
B2000	Fan, Centrifugal	BL126
C2000	Capacitor, Fixed, Mica Dielectric	CM20F102G03YY
C2001	Capacitor, Fixed, Ceramic	CC100-16
C2002	Same as C2001	
C2003	Capacitor, Fixed, Ceramic	CC100-9
C2004	Same as C2001	
C2005	Capacitor, Fixed, Electrolytic	CE105-20-100
C2006	Capacitor, Fixed, Ceramic	CC100-37
C2007	Same as C2006	
C2008	Capacitor, Fixed, Mica	CB21QB102K
C2009	Same as C2008	
C2010	Same as C2006	
C2011	Same as C2006	
C2012	Same as C2001	
C2013	Same as C2001	
C2014	Capacitor, Fixed, Ceramic	CC110-1
C2015	Same as C2003	
C2016	Same as C2003	
C2017	Capacitor, Fixed, Ceramic	CK70AW102M
C2018	Same as C2008	
C2019	Same as C2008	
C2020	Capacitor, Fixed, Mica	CM100-10
C2021	Capacitor, Fixed, Ceramic	CC100-31
C2022	Same as C2008	
C2023	Same as C2008	
C2024	NOT USED	
C2025	NOT USED	
C2026	Same as C2005	
C2027	Same as C2003	
C2028	Capacitor, Fixed, Ceramic	CC100-22
C2029	Capacitor, Fixed, Ceramic	CC100-37
C2030	Same as C2008	

TLAC-2.5K RF AMPLIFIER

REF SYMBOL	DESCRIPTION	TMC PART NUMBER
C2031	Capacitor, Fixed, Mica	CM15B200J
C2032	NOT USED	
C2033	Capacitor, Fixed, Ceramic	CC109-36
C2034	Capacitor, Fixed, Ceramic	CC108-4P1000M
C2035	Same as C2021	
C2036	Capacitor, Fixed, Electrolytic	CE115-2-6800
C2037	Same as C2021	
C2038	Capacitor, Variable, Air	CB118SRX200
C2039	NOT USED	
C2040	NOT USED	
C2041	NOT USED	
C2042	Capacitor, Fixed, Mica	CM15F151G03
C2043	Capacitor, Variable, Ceramic	CV112-5
C2044	NOT USED	
C2045	Capacitor, Fixed, Ceramic	CC109-3
C2046	NOT USED	
C2047	Same as C2001	
thru		
C2049		
C2050	NOT USED	
C2051	NOT USED	
C2052	Capacitor, Fixed, Ceramic	CC109-2
C2053	Same as C2003	
C2054	Same as C2003	
C2055	Capacitor, Fixed, Ceramic	CC109-38
C2056	Same as C2055	
C2057	Capacitor, Fixed, Ceramic	CK70AW202M
C2058	Capacitor, Fixed, Mica	CM50B223J
C2059	Same as C2014	
C2060	NOT USED	
C2061	Capacitor, Fixed, Ceramic	CC115-1-500
C2062	Same as C2014	
C2063	Capacitor, Fixed, Mica	CM15F101J03

TLAC-2.5K RF AMPLIFIER

REF SYMBOL	DESCRIPTION	TMC PART NUMBER
C2064	Same as C2055	
C2065	Same as C2034	
C2066	Same as C2001	
C2067	Same as C2061	
C2068	NOT USED	
C2069	Same as C2061	
C2070	Same as C2061	
C2071	Same as C2036	
C2072	Capacitor, Fixed, Ceramic	CC109-4
C2073	NOT USED	
C2074	NOT USED	
C2075	Same as C2061	
C2076	NOT USED	
C2077	NOT USED	
C2078	Same as C2072	
C2079	Same as C2072	
C2080	Capacitor, Fixed, Ceramic	CC109-28
C2081	Capacitor, Variable, Vacuum	CB172-5
C2082	NOT USED	
C2083	NOT USED	
C2084	NOT USED	
C2085	NOT USED	
C2086	NOT USED	
C2087	NOT USED	
C2088	Capacitor, Fixed, Ceramic	CC115-1-500
C2089	Capacitor, Variable, Vacuum	CB172-6
C2090	Same as C2061	
C2091	NOT USED	
C2092	Same as C2001	
C2093	Capacitor, Fixed, Mica	CM15F101J03
C2094	Same as C2006	
C2095	Capacitor, Fixed, Electrolytic	CE105-15-50

TLAC-2.5K RF AMPLIFIER

REF SYMBOL	DESCRIPTION	TMC PART NUMBER
C2096	Capacitor, Fixed, Ceramic	CC100-24
C2097	Same as C2001	
C2098	Same as C2001	
C2099	Same as C2029	
C2100	Capacitor, Fixed, Ceramic	CC100-16
C2101	Same as C2100	
C2102	Same as C2100	
C2103	Same as C2000	
C2104	NOT USED	
C2105	NOT USED	
C2106	NOT USED	
C2107	Same as C2006	
C2108	Same as C2006	
C2109	Same as C2029	
C2110	NOT USED	
C2111	Capacitor, Fixed, Mica	CM15C100J03YY
C2112	NOT USED	
thru		
C2115		
C2116	Same as C2072	
C2117	Same as C2072	
C2118	Capacitor, Fixed, Ceramic	CC109-28
C2119	Capacitor, Fixed, Mica	CM100-10
C2120	Same as C2001	
C2121	Same as C2072	
C2122	NOT USED	
C2123	Capacitor, Fixed, Mica	CM15D150J03YY
CR2000	Semiconductor, Device, Diode	1N538
CR2001	NOT USED	
CR2002	NOT USED	
CR2003	Semiconductor, Device, Diode	1N538
CR2004	Semiconductor, Device, Diode	1N3070

TLAC-2.5K RF AMPLIFIER

REF SYMBOL	DESCRIPTION	TMC PART NUMBER
CR2005	NOT USED	
CR2006	NOT USED	
CR2007	Same as CR2004	
CR2008	NOT USED	
CR2009	NOT USED	
DS2000	Lamp, Incandescent	BI114-2
DS2001	Same as DS2000	
thru		
DS2008		
E2000	Terminal	TE169-1
E2001	NOT USED	
E2002	Same as E2000	
E2003	Same as E2000	
E2004	Terminal	TE121-2
E2005	Same as E2004	
E2006	NOT USED	
E2007	Terminal	AX696-1
E2008	Terminal	AX696-2
E2009	Same as E2000	
thru		
E2011		
J2000	Connector, Receptacle, Male	JJ172
J2001	Connector, Receptacle, Female	MS3102A28-21P
J2002	Connector, Receptacle, Electrical	JJ242-1S
J2003	Connector, Receptacle, Electrical	JJ333-75PFS3
J2004	Connector, Receptacle, Electrical	JJ310-4
J2005	Connector, Receptacle, Electrical	JJ310-2
J2006	Same as J2004	
J2007	Same as J2004	
J2008	Connector, Receptacle, Electrical	JJ319-10DFE
J2009	Connector, Receptacle, Electrical	UG560*/U
J2010	Connector, Receptacle, Electrical	UG625*/U

TLAC-2.5K RF AMPLIFIER

REF SYMBOL	DESCRIPTION	TMC PART NUMBER
J2011	Same as J2000	
J2012	Connector, Receptacle, Electrical	MS3102A18-16P
J2013	Same as J2004	
J2014	NOT USED	
J2015	Connector, Receptacle	JJ319A15DFE
L2000	Coil, Radio Frequency, Fixed	CC140-6
L2001	Same as L2000	
L2002	NOT USED	
L2003	NOT USED	
L2004	NOT USED	
L2005	Coil, Radio, Frequency, Fixed	CL361
L2006	Coil, Radio, Frequency	CL101-2
L2007	Coil, Radio, Frequency	CL177
L2008	Coil, Radio, Frequency	CL270-22
L2009	Coil, Radio, Frequency	AX607
L2010	Same as L2000	
L2011	Transformer, RF	TZ210
L2012	Same as L2007	
L2013	Same as L2007	
L2014	Coil, Radio, Frequency	CL361
L2015	Same as L2006	
L2016	NOT USED	
L2017	Non-repairable item Part of CL407	
L2018	Non-repairable item Part of CL407	
L2019	Non-repairable item Part of CL409	
L2020	Non-repairable item Part of CL409	
L2021	Non-repairable item Part of CL408	
L2022	Non-repairable item Part of CL408	
L2023	Non-repairable item Part of CL409	
L2024	Non-repairable item Part of CL406	
L2025	Choke, Radio, Frequency	CL101-3
L2026	NOT USED	

TLAC-2.5K RF AMPLIFIER

REF SYMBOL	DESCRIPTION	TMC PART NUMBER
L2027	Coil, Radio, Frequency	CL100-5
L2028	NOT USED	
L2029	NOT USED	
L2030	Coil, Radio, Frequency	CL178
L2031	Coil, Radio, Frequency	CL140-2
L2032	Same as L2031	
L2033	Coil, Radio, Frequency	CL413
L2034	NOT USED	
L2035	Coil, Radio, Frequency	CL366
L2036	Coil, Radio, Frequency	CL140-3
L2037	Same as L2036	
L2038	Choke, Radio, Frequency	CL105-4
L2039	Coil	CL429
L2040	Coil	CL399
L2041	Same as L3030	
L2042	Coil, Radio, Frequency	CL140-6
L2043	NOT USED	
L2044	Same as L2042	
L2045	Coil, Radio, Frequency	CL275-151
L2046	NOT USED	
L2047	Same as L2045	
L2048	Coil	CL402
L2049	Coil	CL405
M2000	Meter	MR191-3
M2001	Meter	MR191-7
MP2000	Counter	CY107
MP2001	Same as MP2000	
P2000	Connector, Plug, Electrical	PL225-1P
P2002	Connector, Receptacle, Electrical	JJ313-2
P2003	Connector, Receptacle, Electrical	JJ313-4H
P2004	NOT USED	
P2005	NOT USED	

TLAC-2.5K RF AMPLIFIER

REF SYMBOL	DESCRIPTION	TMC PART NUMBER
R2000	DELETED	
R2001	Resistor, Fixed, Composition	RC20GF680J
R2002	Resistor, Percision, Wirewound	RB101R66R1200F
R2003	Resistor, Fixed, composition	RC32GF102J
R2004	NOT USED	
R2005	DELETED	
R2006	Resistor, Fixed, Film	RR135-2-102
R2007	Resistor, Fixed, Composition	RC20GF221J
R2008	Same as R2002	
R2009		RC20GFXXXJ
R2010 thru R2016	NOT USED	
R2017	Resistor, Fixed, Composition	RC42GF470J
R2018 and R2019	NOT USED	
R2020	Resistor, Fixed, Composition	RC20GF222J
R2021	Resistor, Fixed, Composition	RC20GF224J
R2022	Resistor, Fixed, Composition	RC20GF474J
R2023 thru R2028	NOT USED	
R2029	Resistor, Variable, Composition	RV106UX10B103A
R2030	Resistor, Fixed, Composition	RC42GF473J
R2031	Resistor, Fixed, Composition	RC32GF122J
R2032	Resistor, Fixed, Composition	RC20GF472J
R2033	Resistor, Fixed, Composition	RC20GF104J
R2034	Same as R2030	
R2035	Same as R2030	
R2036	Same as R2032	
R2037	Same as R2032	
R2038	Resistor, Fixed, Composition	RC20GF105J

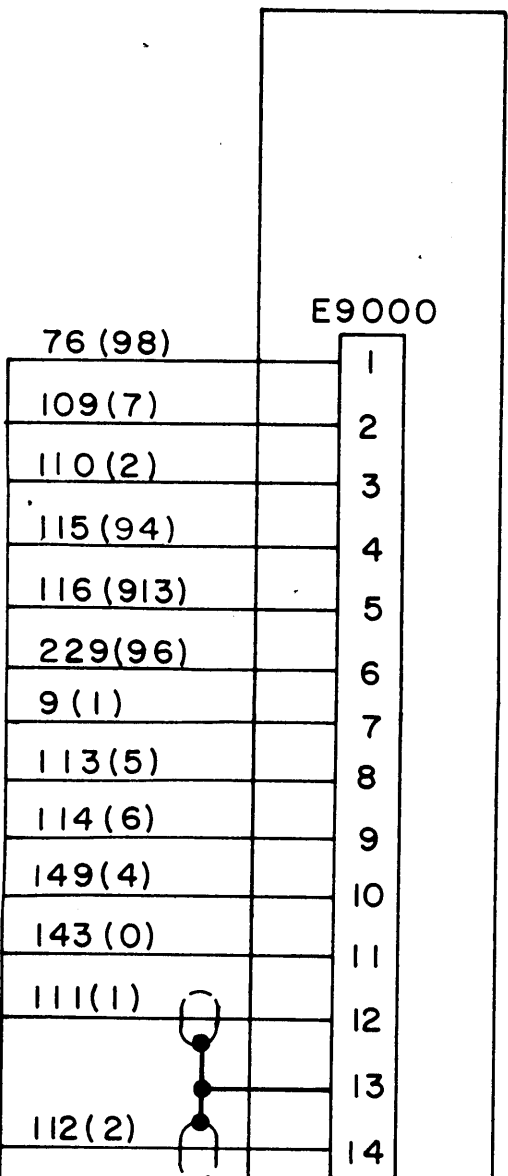
TLAC-2.5K RF AMPLIFIER

REF SYMBOL	DESCRIPTION	TMC PART NUMBER
R2039	Resistor, Fixed, Composition	RC42GF470J
R2040	Same as R2032	
R2041	Same as R2038	
R2042	Resistor, Fixed, Composition	RC20GF682J
R2043	Same as R2038	
R2044	Resistor, Fixed, Composition	RC20GF272J
R2045	NOT USED	
R2046	NOT USED	
R2047	Same as R2032	
S2000	Switch, Interlock	SW219
S2001	Same as S2000	
S2002	Switch, Rotary	SW252
S2003	Switch, Rotary	SW105
S2004	Switch	SW430
S2005	Switch	SW429
S2006	NOT USED	
S2007	NOT USED	
S2008	Switch	AS128
S2009	NOT USED	
T2000	NOT USED	
T2001	NOT USED	
TB2000	NOT USED	
V2000	Tube, Electron	8121
V2001	Same as V2000	
V2002	Socket, Electron Tube	PL8576/PL264
XV2000	Socket, Electron	TS170-1
XV2001	Same as XV2000	
XV2002	Socket, Electron Tube	TS182
PS2000	Parasitic Suppressor	AX561
PS2001	NOT USED	
PS2002	Same as PS2000	
PS2003	Parasitic Suppressor	AX562

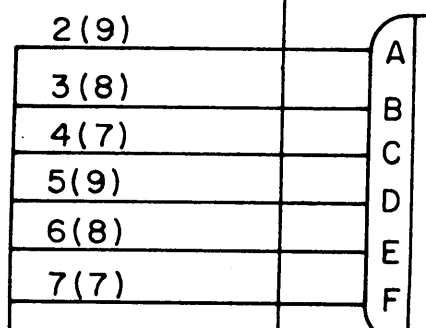
AS REQ { AX633
AX646
AX647 ALARM

D

TCP-

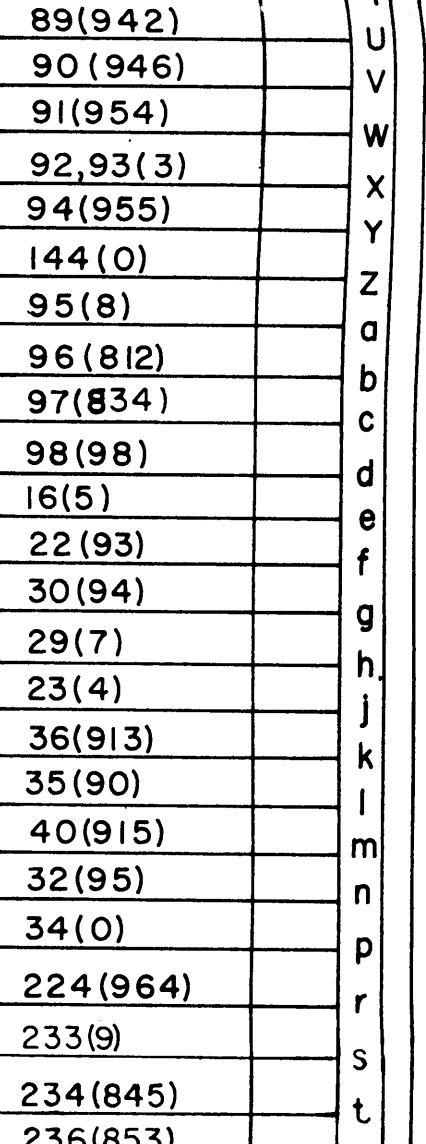
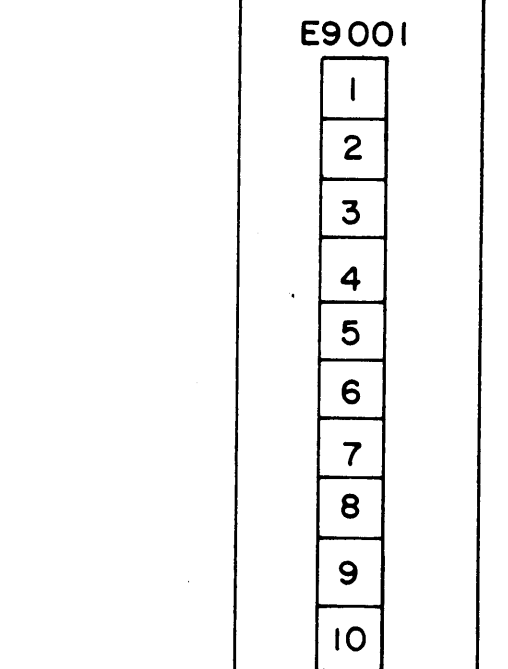
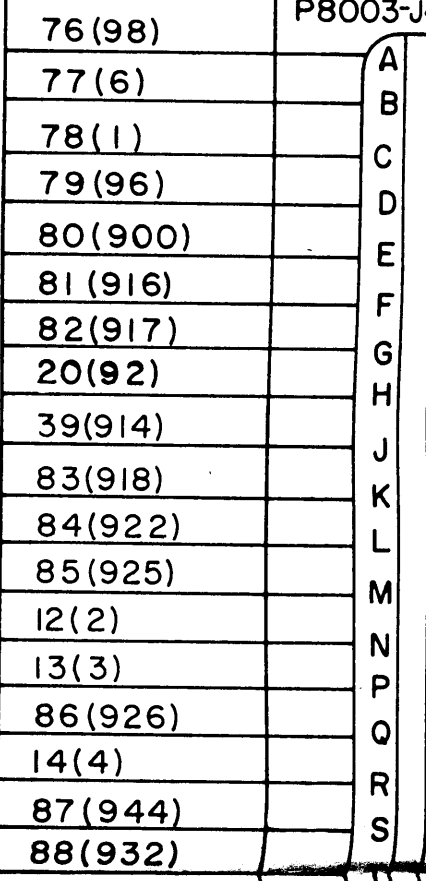
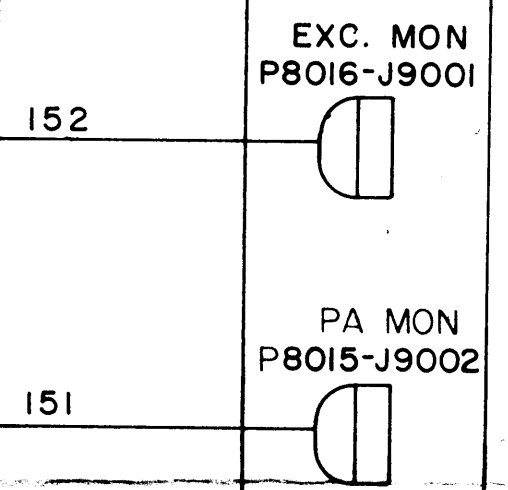


P8000-J



C

P8003-J4

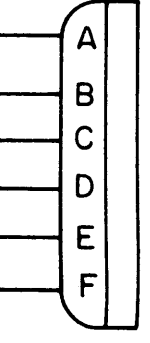


B

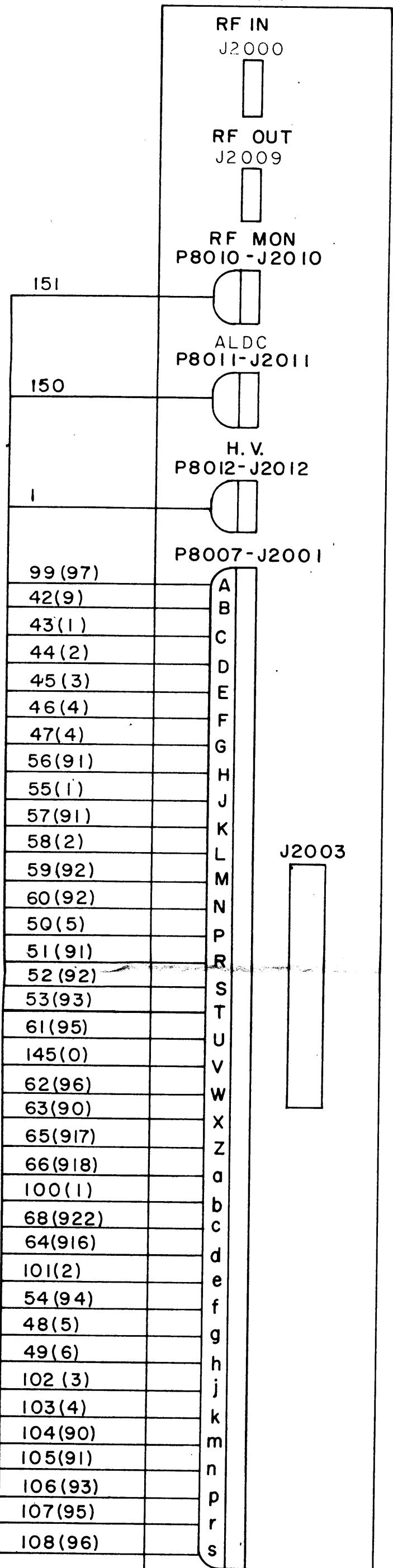
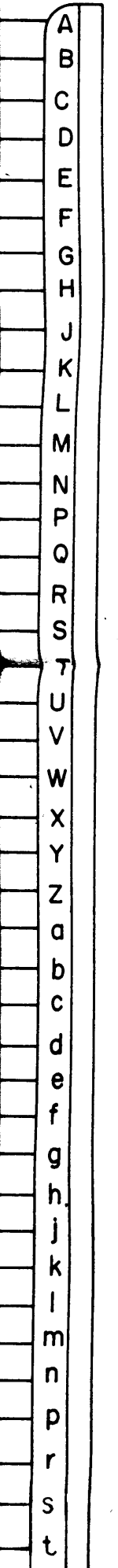
TCP-()

TLA()-2.5K

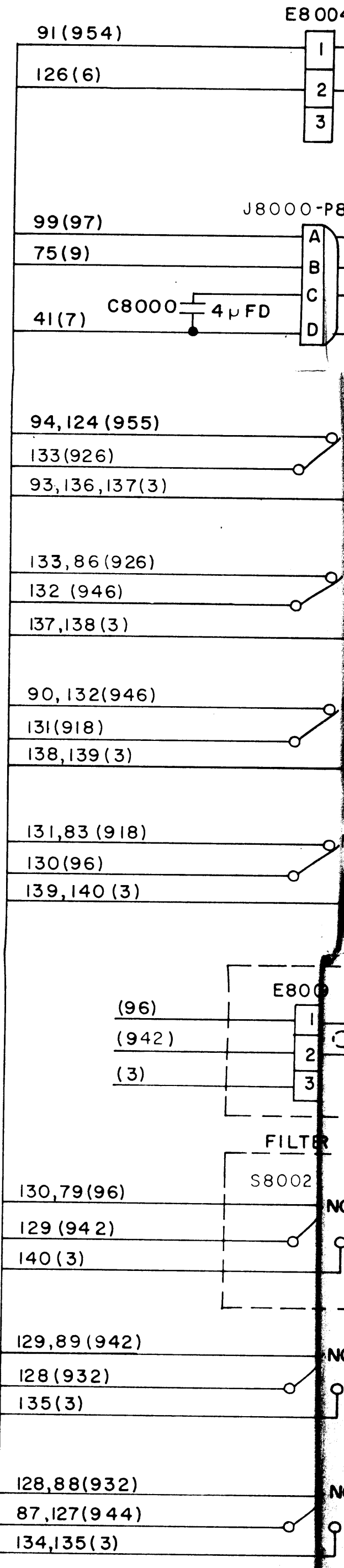
P8000-J4000



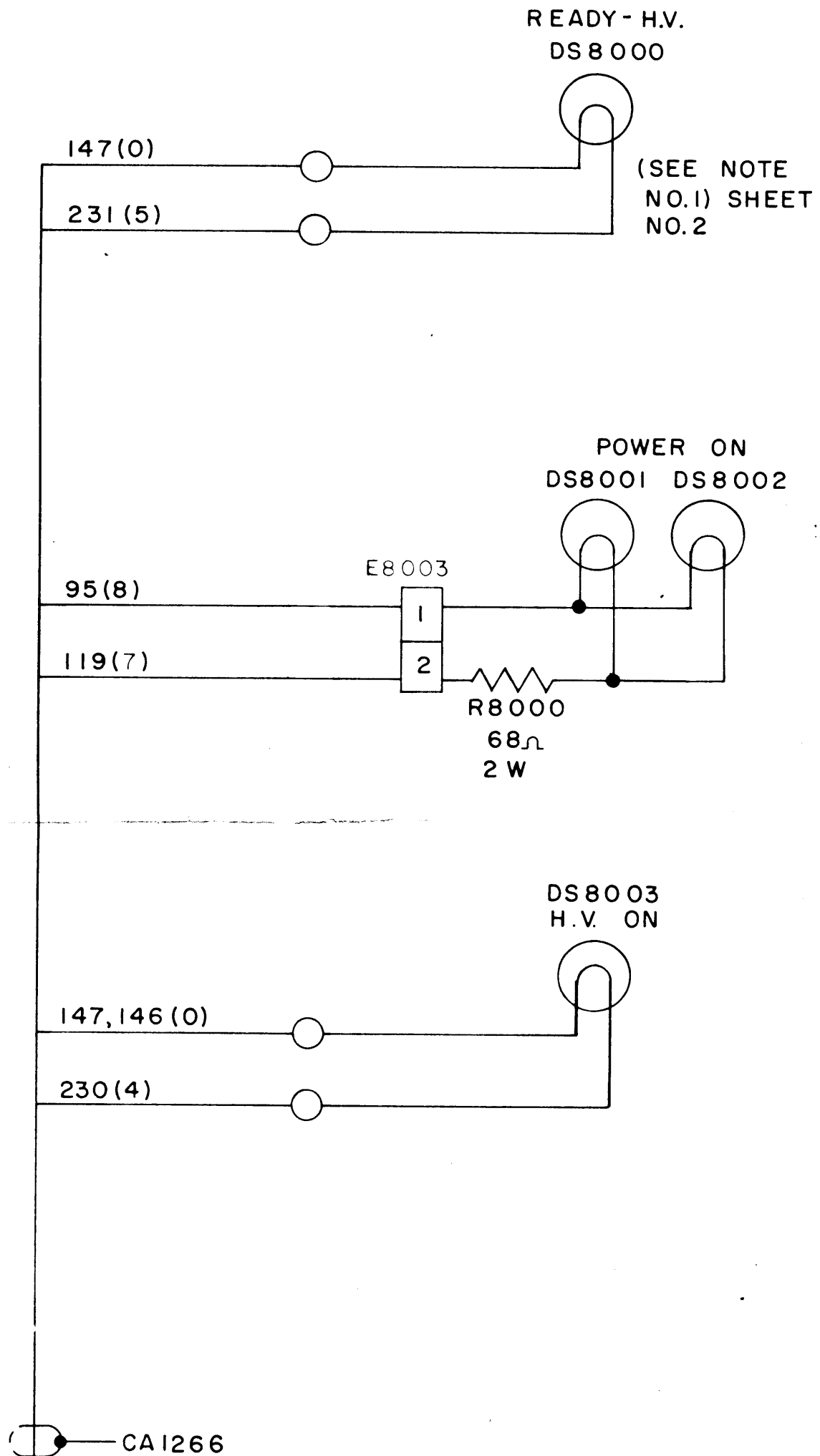
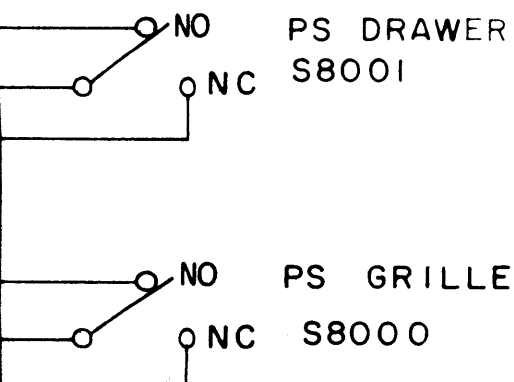
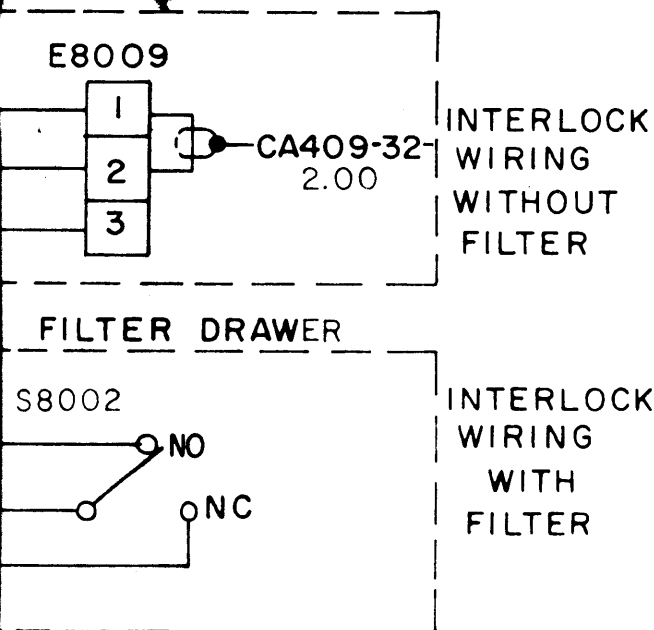
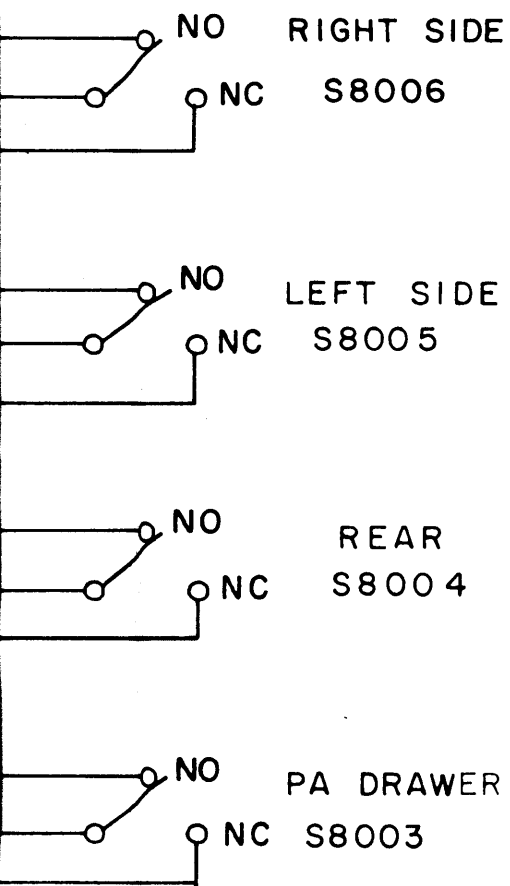
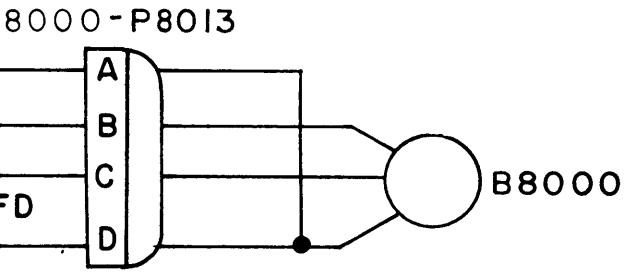
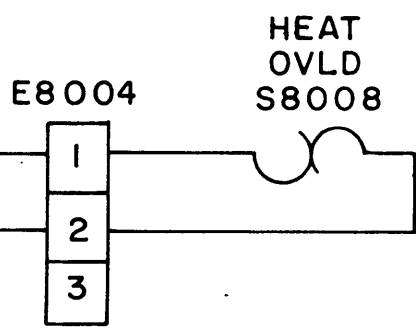
P8003-J4001



151,150
145,108,107,106
105,104,103,102



REVISIONS							
ZONE	LTR	DESCRIPTION	DATE	E.M.N.NO	DRAFT	CHKD	APPD
	X	EXP. RELEASE	11-11-66				
	XI	ON TCP IT. 20 8283 REV.	11-14-66				
		SEEN RELEASE ON P8000	3-2-67				
	Ø	ORIGINAL RELEASE FOR 1900	3-3-67		RME		
	A	Ø P8000 PINT. & MOUNT. & WIRING	3-11-67	7958			
	B	SEE SHEET 3	5-12-67				FB
	C	Ø P8000 PINT. & MOUNT. & WIRING	1-10-68				FB
	D	SEE SHEET 2 OF 3	1-6-68				FB

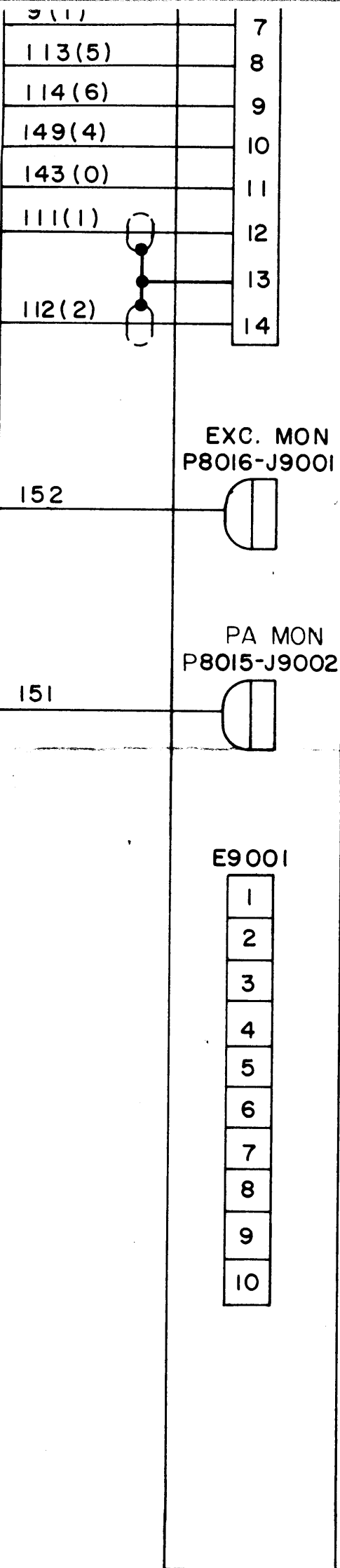


D
C
B

C

B

A



P8003-J4

76(98)		
77(6)		
78(1)		
79(96)		
80(900)		
81(916)		
82(917)		
20(92)		
39(914)		
83(918)		
84(922)		
85(925)		
12(2)		
13(3)		
86(926)		
14(4)		
87(944)		
88(932)		
89(942)		
90(946)		
91(954)		
92,93(3)		
94(955)		
144(0)		
95(8)		
96(812)		
97(834)		
98(98)		
16(5)		
22(93)		
30(94)		
29(7)		
23(4)		
36(913)		
35(90)		
40(915)		
32(95)		
34(0)		
224(964)		
233(9)		
234(845)		
236(853)		

A B C D E F G H J K L M N P Q R S T U V W X Y Z a b c d e f g h i j k l m n p r s t u

TO SHEET 2 ←

229,152,149,116
115,114,113,112
111,110,109,9

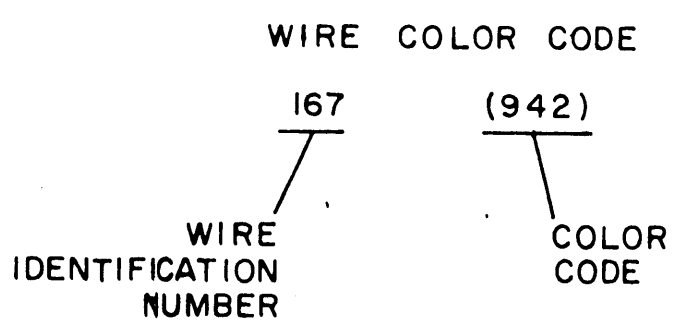
76,143,151

236,234,233
224,98,97,96,92,85,84
82,81,80,78,77,76,40,39
36,35,34,32,30,29,23,22
20,16,14,13,12,7,6,5,4,3,2

93,94,95,144
88,89,90,91
79,83,86,87

148,144,143

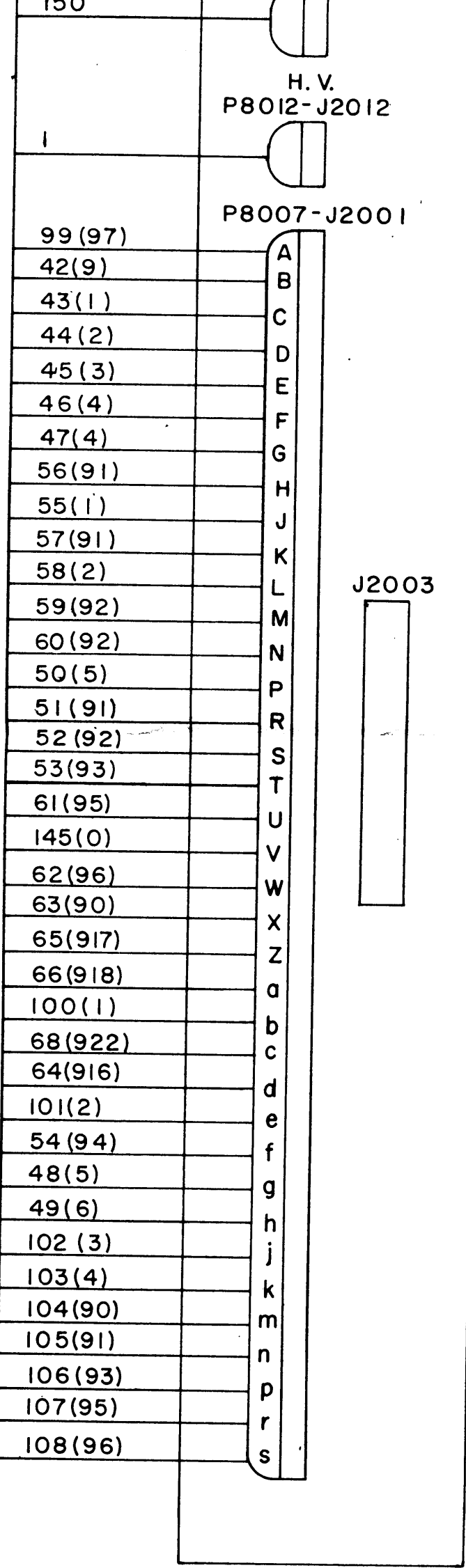
CA1266



P8003-J4001

A
B
C
D
E
F
G
H
J
K
L
M
N
P
Q
R
S
T
U
V
W
X
Y
Z
a
b
c
d
e
f
g
h
j
k
l
m
n
p
r
s
t
u

151,150
145,108,107,106
105,104,103,102
101,100,68,66,65
64,63,62,61,60,59
58,57,56,55,54,53
52,51,50,49,48,47
46,45,44,43,42,1

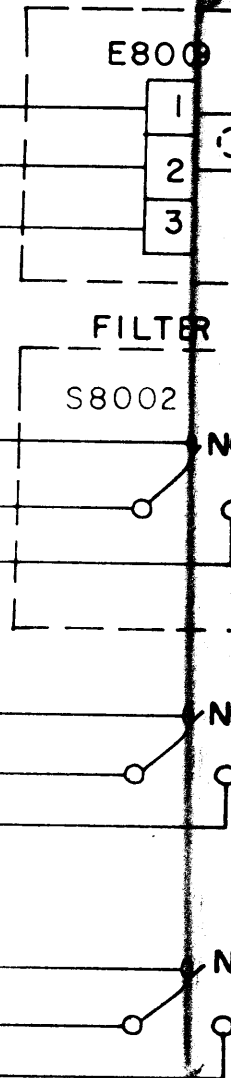


99

136, 134, 127, 126, 124, 99, 94, 93
91, 90, 89, 88, 87, 86, 83, 79, 75, 41

94,124 (955)
133 (926)
93,136,137 (3)
133,86 (926)
132 (946)
137,138 (3)
90,132 (946)
131 (918)
138,139 (3)
131,83 (918)
130 (96)
139,140 (3)

(96)
(942)
(3)



144,143,142 145,146

QTY / UNIT	MODEL USED ON	ASS'Y NO.
APPLICATION		
CODE		

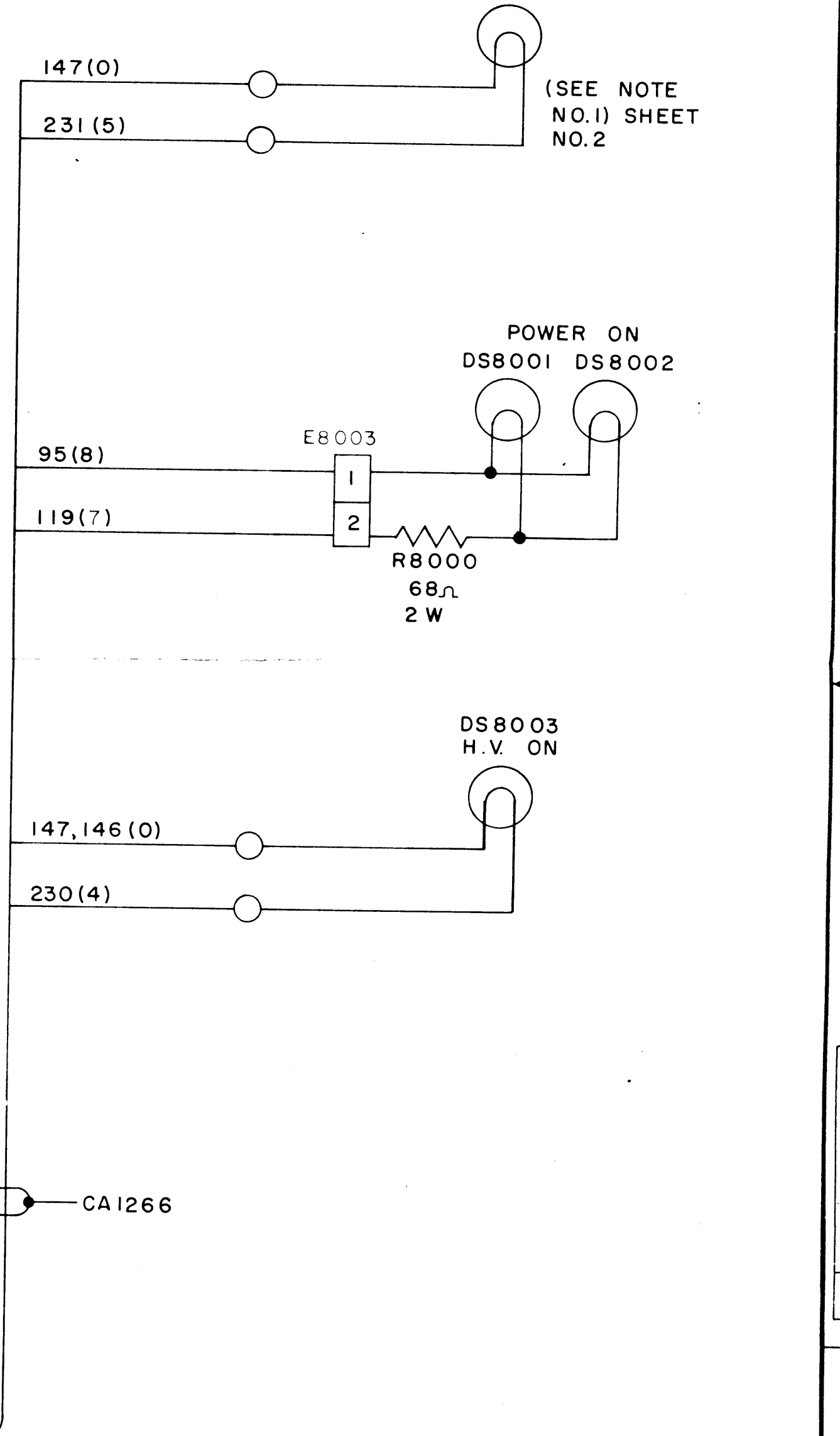
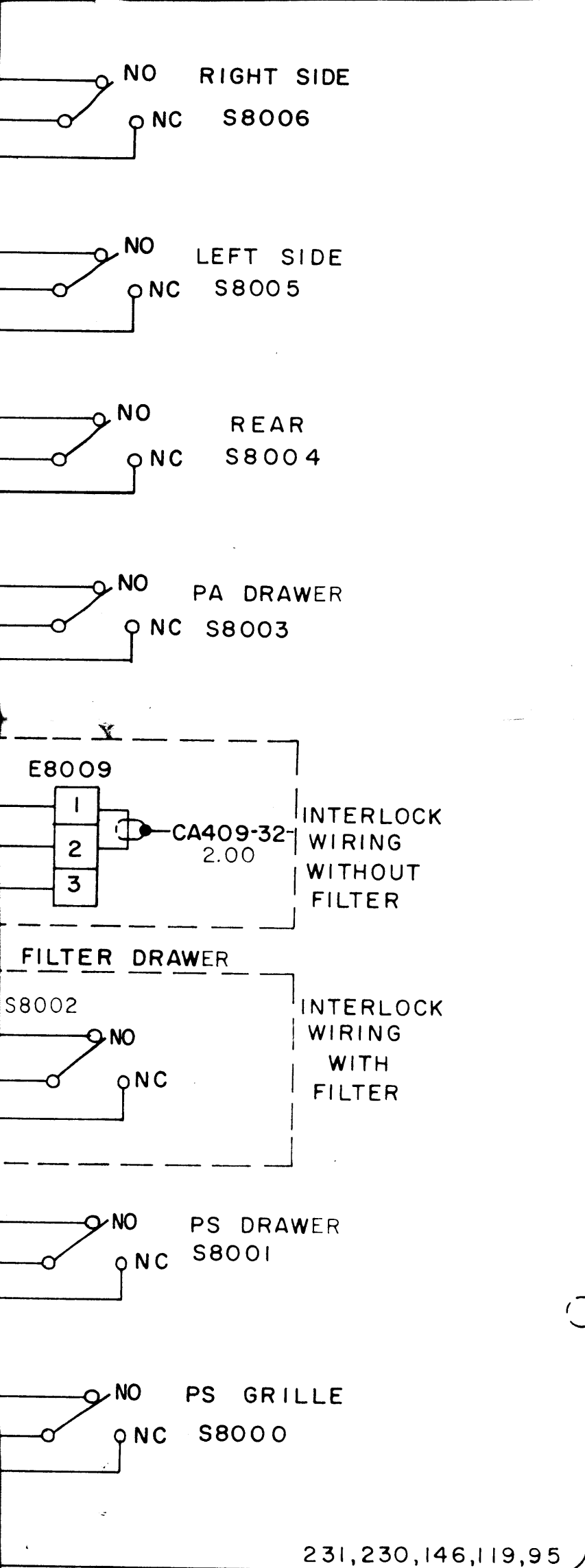
NOTICE TO PERSONS RECEIVING THIS DRAWING
THE TECHNICAL MATERIEL CORPORATION claims proprietary right in the material disclosed hereon. This drawing is issued in confidence for engineering information only and may not be reproduced or used to manufacture anything shown hereon without permission from THE TECHNICAL MATERIEL CORPORATION to the user. This drawing is loaned for mutual assistance and is subject to recall at any time.

5



4

JNL
DIN
AND II
DEC
.X
XX
XX
MATER
FINISH



QTY. REQ.	ITEM	PART NO.	DESCRIPTION	SYMBOL
LIST OF MATERIAL				
UNLESS OTHERWISE SPECIFIED DIMENSIONS ARE IN INCHES AND INCLUDE CHEMICALLY APPLIED OR PLATED FINISHES		FINAL APPROVAL	DATE	THE TECHNICAL MATERIEL CORP. MAMARONECK NEW YORK INTERCONNECT WIRING DIAGRAM (Sheet 1 of 3) Figure 2-12
TOLERANCES ON		MECH. DES.	DATE	
DECIMALS	FRACTIONS	ELECT. DES.	DATE	
.X ± .05	± 1/64	CHECKED	DATE	
.XX ± .01	ANGLES	DRAWN	DATE	
.XXX ± .005	± 0° 30'			
MATERIAL			SIZE	
FINISH			D	
			SCALE	

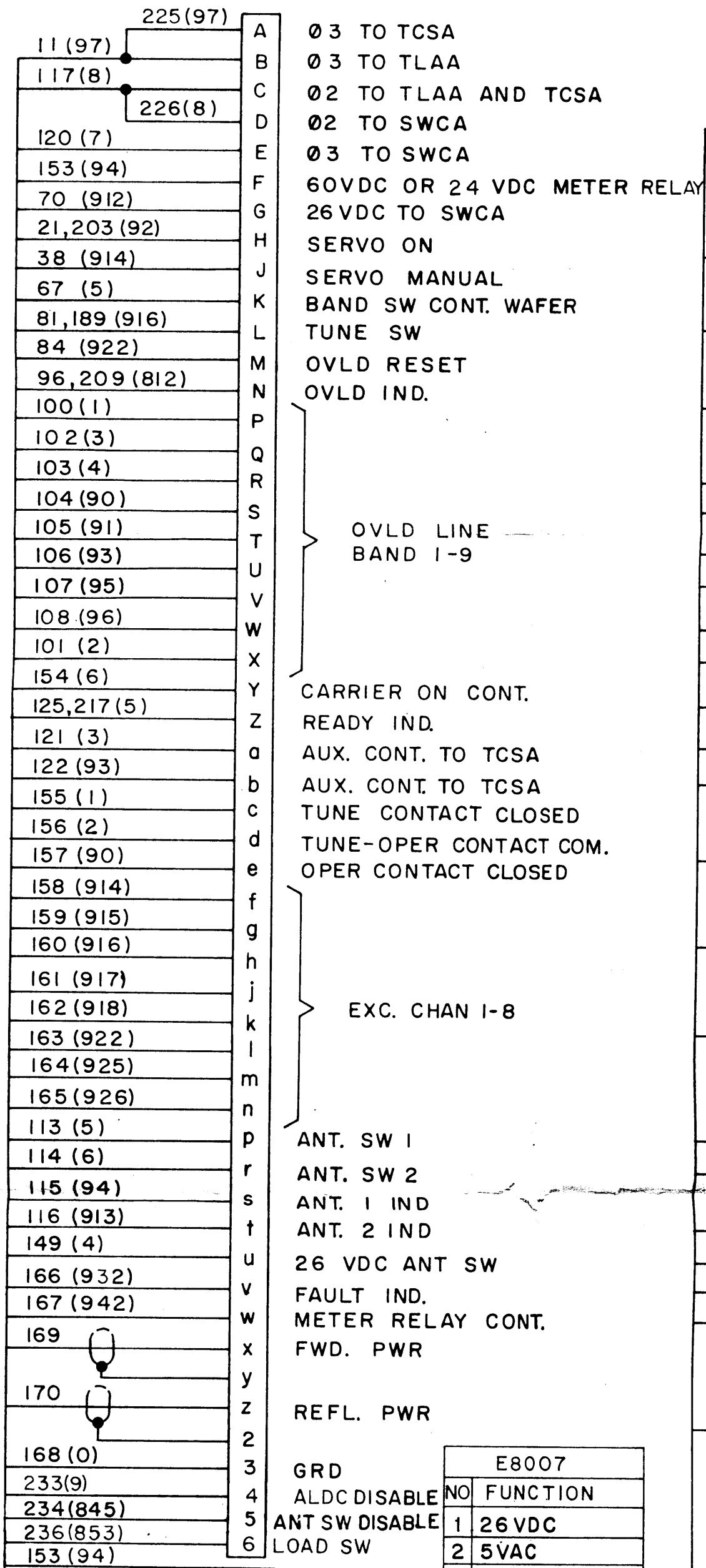
3

2

1

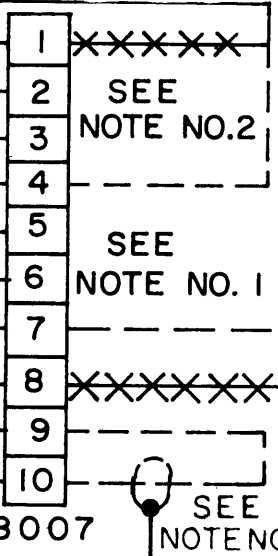
C
B
A

J8001



5,26,227,228(9)
6,25,117,118(8)
7,24,109,119,120(7)
27(5)
28(95)
123(4)
31(94)
121(3)
122(93)
15(9)
227(9)
110(2)
228(9)
98(98)
141(0)
124(955)
18,77(6)
17(9)
118(8)
8(97)
37(9)
2(9)
4(7)

E8007	
NO	FUNCTION
1	26 VDC
2	5VAC
3	26VDC TO FILTER
4	60VDC FR. LRCA 24 VDC TO LRCF
5	OVLD LINE
6	OVLD LINE
7	H.V. LIGHT
8	READY LIGHT
9	PTT LINE
10	PTT LINE



440

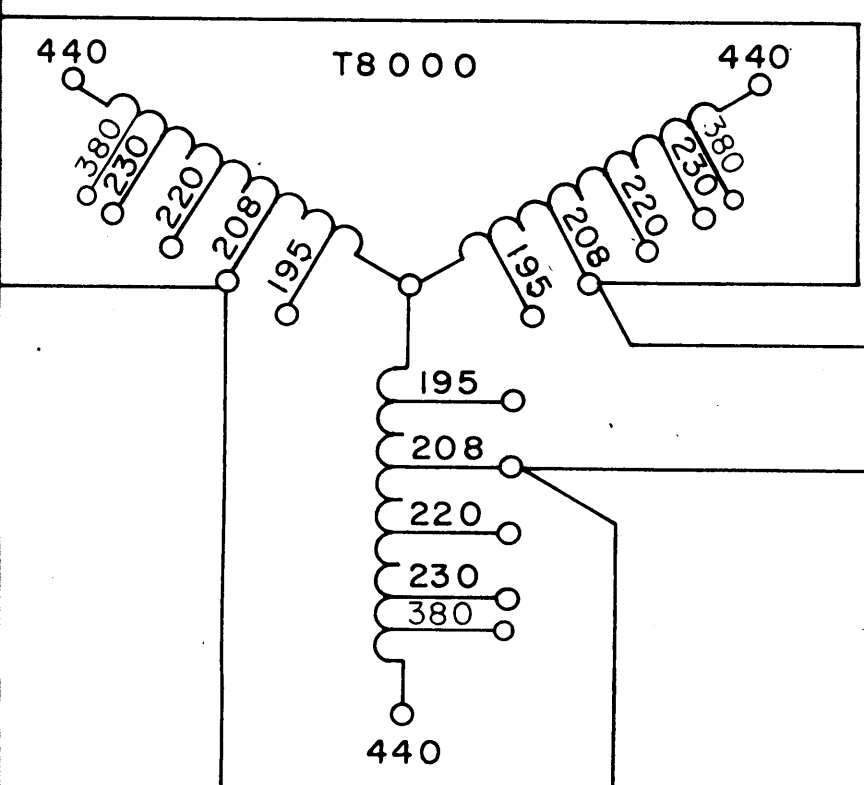
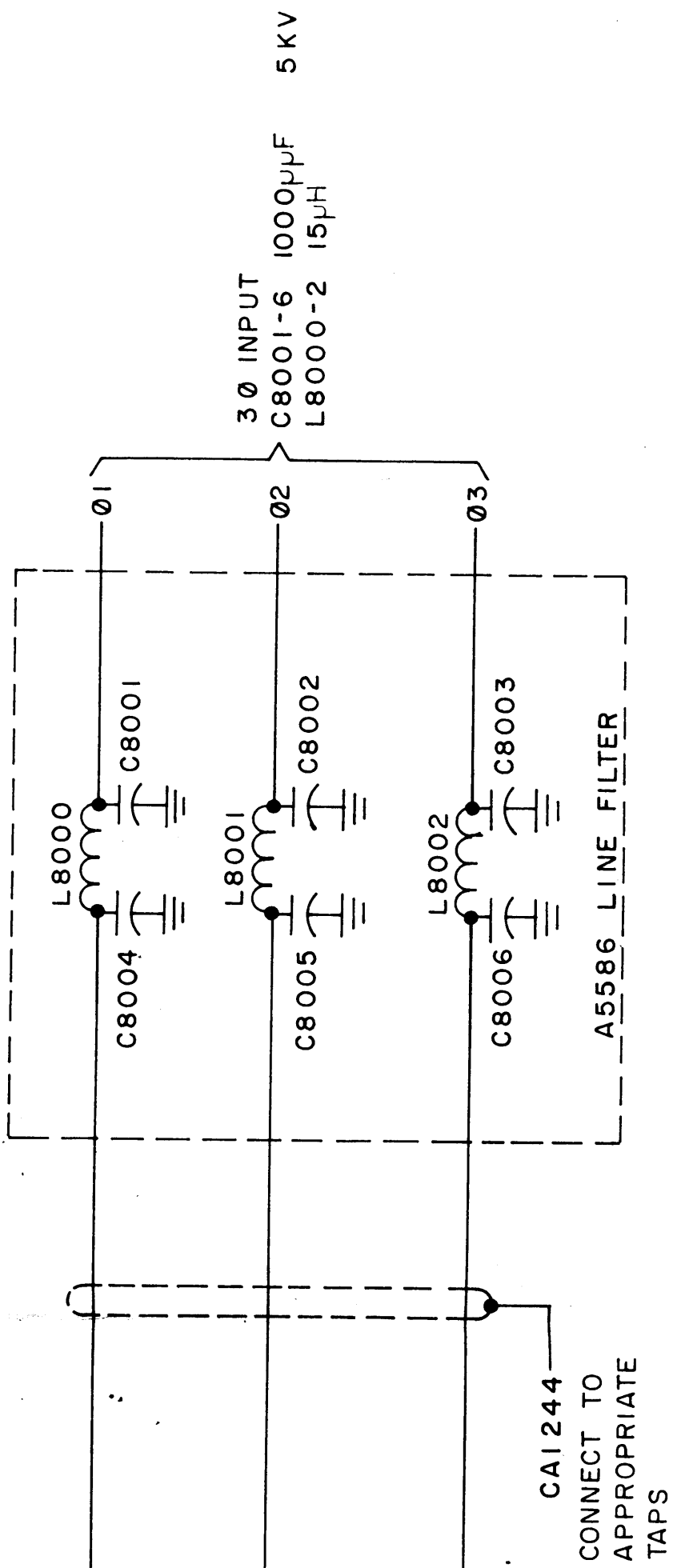
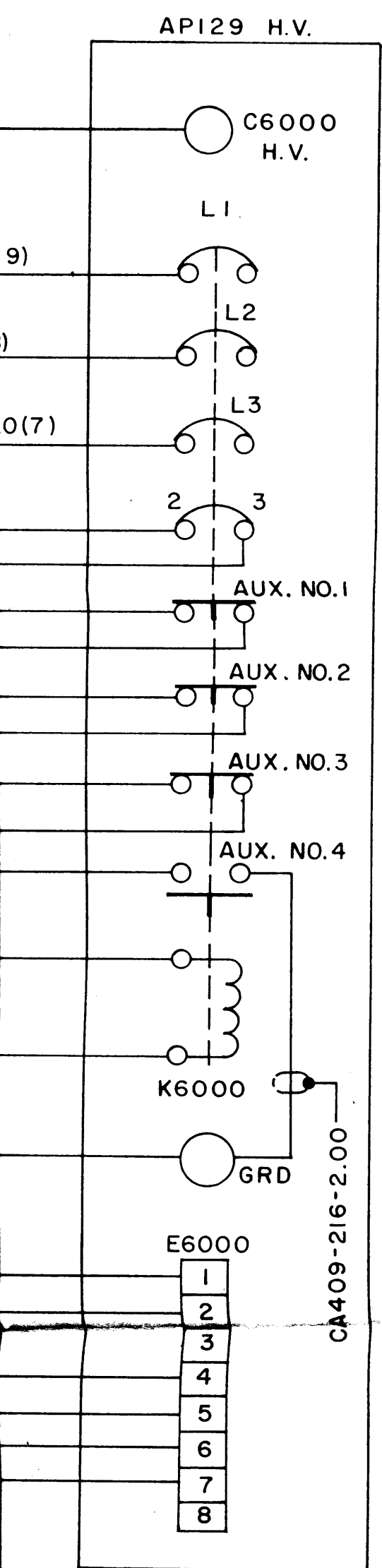
0.380

0.250

D

C

B



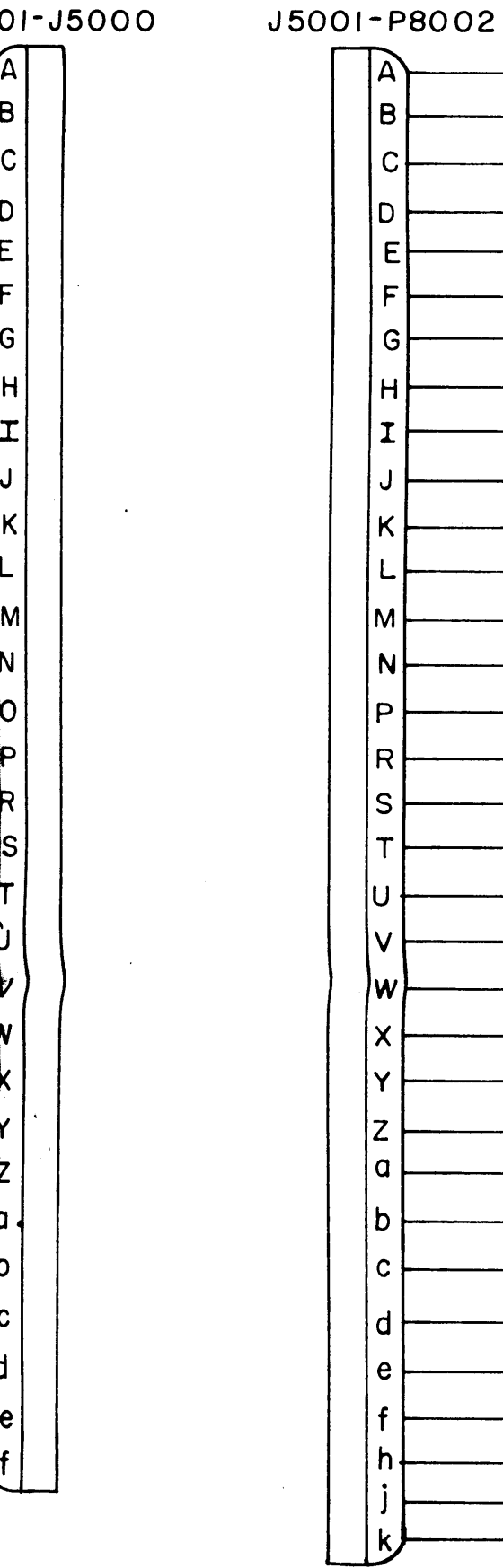
P8001-J5000

8 (97)	A
9,10 (1)	B
11 (97)	C
12 (2)	D
13 (3)	E
14 (4)	F
141 (0)	G
15 (9)	H
16 (5)	I
17 (9)	J
18 (6)	K
19 (91)	L
20,21 (92)	M
22 (93)	N
23 (4)	O
24 (7)	P
25 (8)	R
26 (9)	S
27 (5)	T
28 (95)	U
29 (7)	V
30,31 (94)	W
32 (95)	X
33 (96)	Y
34 (0)	Z
35 (90)	a
36 (913)	b
37 (9)	c
38,39 (914)	d
40 (915)	e
92,134 (3)	f

32,34,35,36,39,40
9,12,13,14,16,20,22,23,29,30

REVISIONS						
ZONE	LTR	DESCRIPTION	DATE	F. M. N. NO.	DRAFT	CHKD APPD
		REV. REVISION				
		SEE				
		REV. TENE				

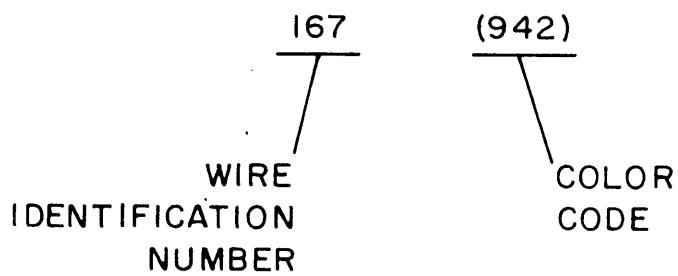
AP-128 L.V.



NOTES:

1. MANUAL TRANSMITTER DS8000 IS H.V. ON IND. IT. 231 CONNECTED TO E8007-7 SERVO TUNED TRANSMITTER DS8000 IS READY IND IT. 231 CONN TO E8007-8
2. IT 153 CONN TO E8007-1 FOR LOCAL OR SHORT WIRE REMOTE OPERATION. CONN TO E8007-4 WHEN USING LRCA.
3. ADD JUMPER FOR MANUAL TRANSMITTER ONLY.

WIRE COLOR CODE



CA1266

61,62,63,64 65,66,68,75,142
 51,52,53,54,55,56,57,58,59,60
 41,42,43,44,45,46,47,48,49,50,

74
73,72,71,70,69,67

3,29,30

TO SHEET 1

B
CK 1237

C

B

106 (93)	T
107 (95)	U
108 (96)	V
101 (2)	W
154 (6)	X
125,217 (5)	Y
121 (3)	Z
122 (93)	a
155 (1)	b
156 (2)	c
157 (90)	d
158 (914)	e
159 (915)	f
160 (916)	g
161 (917)	h
162 (918)	i
163 (922)	j
164 (925)	k
165 (926)	l
113 (5)	m
114 (6)	n
115 (94)	p
116 (913)	r
149 (4)	s
166 (932)	t
167 (942)	u
169	v
170	w
168 (0)	x
233(9)	y
234(845)	z
236(853)	2
153 (94)	3
10, 235 (1)	4
33,229 (96)	5
74 (6)	6
204 (93)	7
207 (96)	8
126,208(6)	9
123,230 (4)	10
125 (5)	1
71 (944)	2
232 (926)	3
231 (5)	4

T
U
V
W
X
Y
Z
a
b
c
d
e
f
g
h
i
j
k
l
m
n
p
r
s
t
u
v
w
x
y
z
2
3
4
5
6
1
2
3
4
5
6
7
8
9
10

OVLD LINE
BAND 1-9

CARRIER ON CONT.
READY IND.
AUX. CONT. TO TCSA
AUX. CONT. TO TCSA
TUNE CONTACT CLOSED
TUNE-OPER CONTACT COM.
OPER CONTACT CLOSED

EXC. CHAN 1-8

ANT. SW 1
ANT. SW 2
ANT. 1 IND
ANT. 2 IND
26 VDC ANT SW
FAULT IND.
METER RELAY CONT.
FWD. PWR
REFL. PWR

GRD
ALDC DISABLE
ANT SW DISABLE
LOAD SW

E8007	
NO	FUNCTION
1	26 VDC
2	5VAC
3	26VDC TO FILTER
4	60VDC FR. LRCA 24 VDC TO LRCF
5	OVLD LINE
6	OVLD LINE
7	H.V. LIGHT
8	READY LIGHT
9	PTT LINE
10	PTT LINE

E8007
SEE NOTE NO.3

CA409-32-2.00

235,232,217
209,208,207,204,203
189,170,169,168,167,166
165,164,163,162,161,160
159,158,157,156,155,154

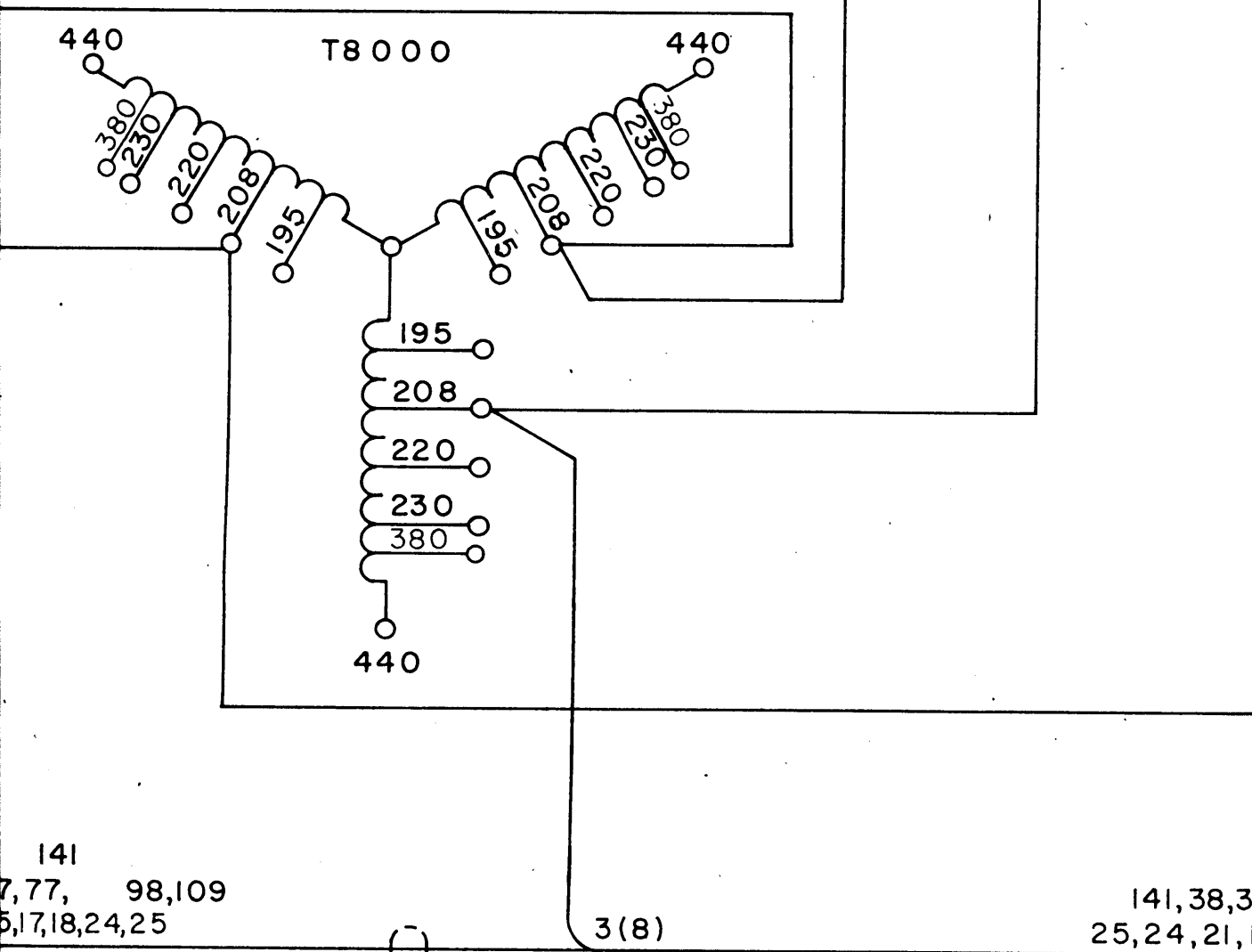
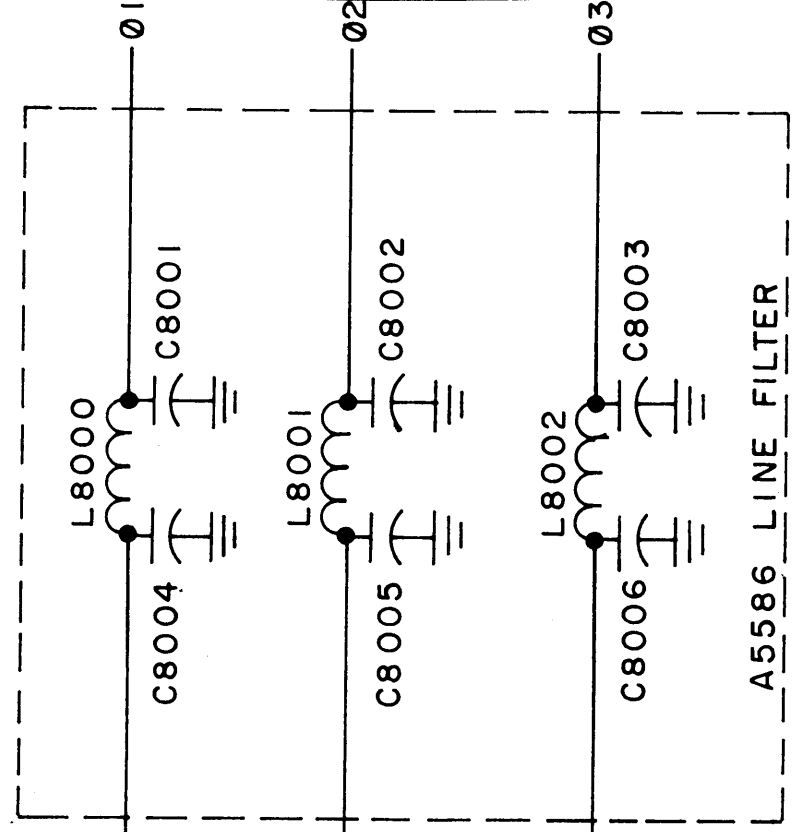
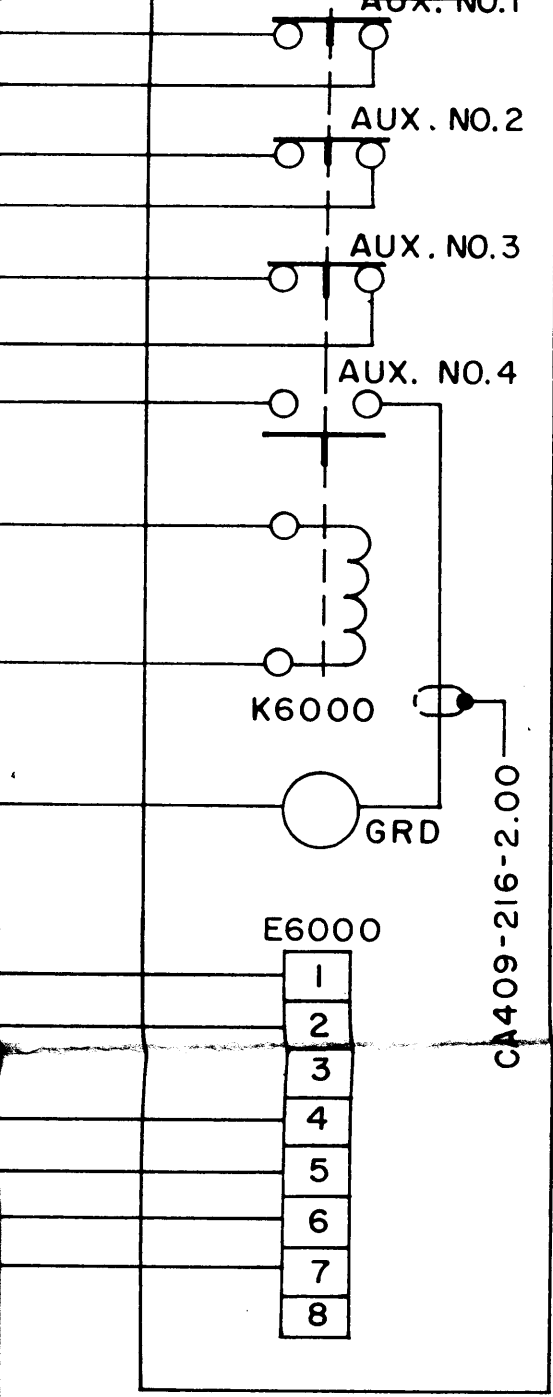
233,234,236
116,117,120,121,122,123,126,149,229,230,231
102,103,104,105,106,107,108,113,114,115
10,11,21,33,38,67,70,71,74,81,84,96,100,101

123,122
121,120,117

123(4)
31(94)
121(3)
122(93)
15(9)
227(9)
110(2)
228(9)
98(98)
141(0)
124(955)
18,77(6)
17(9)
118(8)
8(97)
37(9)
2(9)
4(7)



TO SHEET 3



CA1244
CONNECT TO
APPROPRIATE
TAPS

8 (97)		A
9,10 (1)		B
11 (97)		C
12 (2)		D
13 (3)		E
14 (4)		F
14I (0)		G
15 (9)		H
16 (5)		I
17 (9)		J
18 (6)		K
19 (9I)		L
20,21 (92)		M
22 (93)		N
23 (4)		O
24 (7)		P
25 (8)		R
26 (9)		S
27 (5)		T
28 (95)		U
29 (7)		V
30,31 (94)		W
32 (95)		X
33 (96)		Y
34 (0)		Z
35 (90)		a
36 (913)		b
37 (9)		c
38,39 (914)		d
40 (915)		e
92,134 (3)		f

32,34,35,36,39,40
9,12,13,14,16,20,22,23,29,30

141
7,77, 98,109
5,17,18,24,25

92,134
141,38,37,33,31,28,27,26
25,24,21,19,18,17,15,11,10,8

CA1266

1	TST()2.5K,RAK110-2	
QTY / UNIT	MODEL USED ON	ASS'Y NO.
APPLICATION		
	CODE	
<p style="text-align: center;">NOTICE TO PERSONS RECEIVING THIS DRAWING</p> <p style="text-align: center;">THE TECHNICAL MATERIEL CORPORATION claims proprietary right in the material disclosed hereon. This drawing is issued in confidence for engineering information only and may not be reproduced or used to manufacture anything shown hereon without permission from THE TECHNICAL MATERIEL CORPORATION to the user. This drawing is loaned for mutual assistance and is subject to recall at any time.</p>		

UNLES
DIME
AND INC
C

DECIM
.X ±
.XX ±
.XXX ±

MATERIA

FINISH

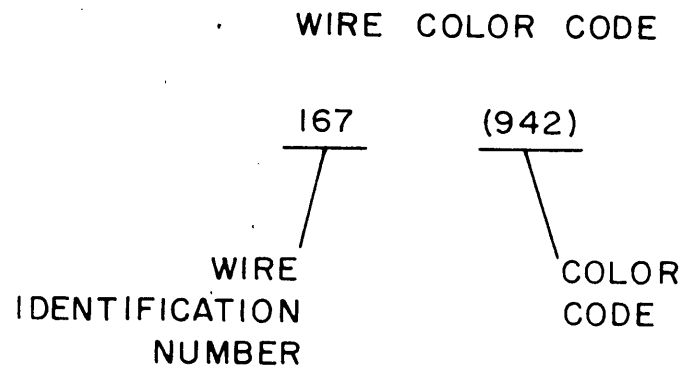
5

4

A		41(7)
B		42,75(9)
C		43(1)
D		44(2)
E		45(3)
F		46(4)
G		47(4)
H		48(5)
I		49(6)
J		50(5)
K		51(91)
L		52(92)
M		53(93)
N		54(94)
P		55(1)
R		57,56(91)
S		58(2)
T		59,60(92)
U		61(95)
V		142(0)
W		62(96)
X		63(90)
Y		64(916)
Z		65(917)
a		66(918)
b		67(5)
c		68(922)
d		69(925)
e		70(912)
f		71(944)
h		72(932)
j		73(942)
k		74(6)

NOTES:

1. MANUAL TRANSMITTER DS8000 IS H.V. ON IND. IT. 231 CONNECTED TO E8007-7 SERVO TUNED TRANSMITTER DS8000 IS READY IND IT. 231 CONN TO E8007-8
2. IT 153 CONN TO E8007-1 FOR LOCAL OR SHORT WIRE REMOTE OPERATION. CONN TO E8007-4 WHEN USING LRCA.
3. ADD JUMPER FOR MANUAL TRANSMITTER ONLY.



CA1266

61,62,63,64 65,66,68,75,142
 51,52,53,54,55,56,57,58,59,60
 41,42,43,44,45,46,47,48,49,50,

74

73,72,71,70,69,67

3,29,30

TO SHEET 1

B
CK 1237

QTY. REQ.	ITEM	PART NO.	DESCRIPTION	SYMBOL
-----------	------	----------	-------------	--------

LIST OF MATERIAL

FINAL APPROVAL	DATE
MECH. DES	DATE
ELECT. DES	DATE
CHECKED	DATE
DRAWN	DATE

THE TECHNICAL MATERIEL CORP.
 MAMARONECK, NEW YORK

UNLESS OTHERWISE SPECIFIED DIMENSIONS ARE IN INCHES AND INCLUDE CHEMICALLY APPLIED OR PLATED FINISHES

TOLERANCES ON

DECIMALS	FRACTIONS
.X ± .05	± 1/64
.XX ± .01	ANGLES
.XXX ± .005	± 0° 30'

INTERCONNECT WIRING DIAGRAM

(Sheet 2 of 3)

Figure 2-12

MATERIAL

FINISH

3

2

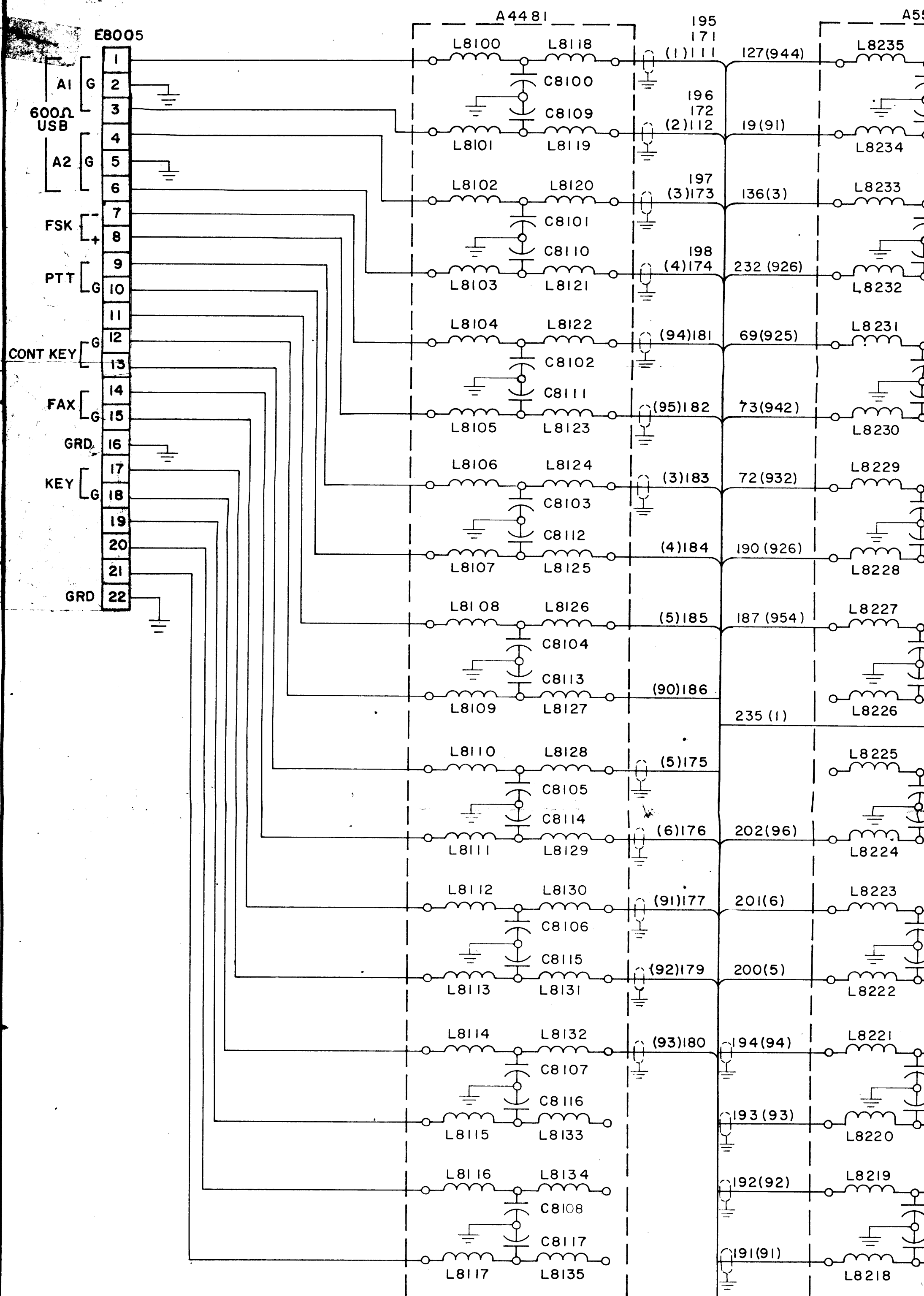
1

A

D

C

B



E8005

A4481

195
171

A5

1

2

3

4

5

6

7

8

9

10

11

12

13

14

15

16

17

18

19

20

21

22

AI

A2

FSK

PTT

CONT KEY

FAX

GRD

KEY

GRD

L8100

L8118

L8101

L8119

L8102

L8120

L8103

L8121

L8104

L8122

L8105

L8123

L8106

L8124

L8107

L8125

L8108

L8126

L8110

L8128

L8111

L8129

L8112

L8130

L8113

L8131

L8114

L8132

L8115

L8133

L8116

L8134

L8117

L8135

C8100

C8109

C8101

C8110

C8102

C8111

C8103

C8112

C8104

C8113

C8105

C8114

C8106

C8115

C8107

C8116

C8108

C8117

(1)111

(2)112

(3)173

(4)174

(94)181

(95)182

(3)183

(4)184

(5)185

(90)186

(5)175

(6)176

(91)177

(92)179

(93)180

(93)193

(92)192

(91)191

127(944)

19(91)

136(3)

232(926)

69(925)

73(942)

72(932)

190(926)

187(954)

235(1)

202(96)

201(6)

200(5)

194(94)

193(93)

192(92)

191(91)

L8235

L8234

L8233

L8232

L8231

L8230

L8229

L8228

L8227

L8225

L8224

L8223

L8222

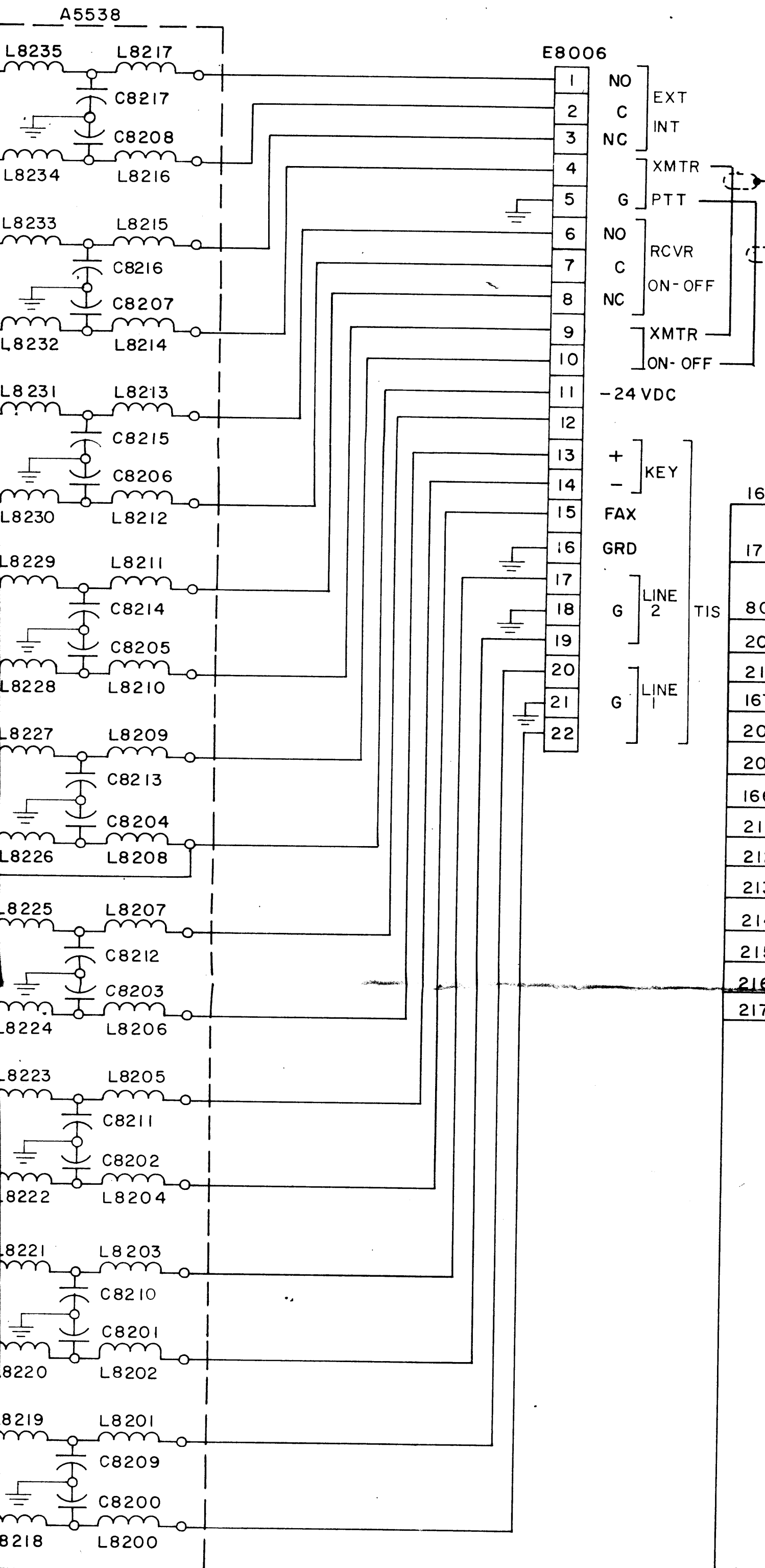
L8221

L8220

L8219

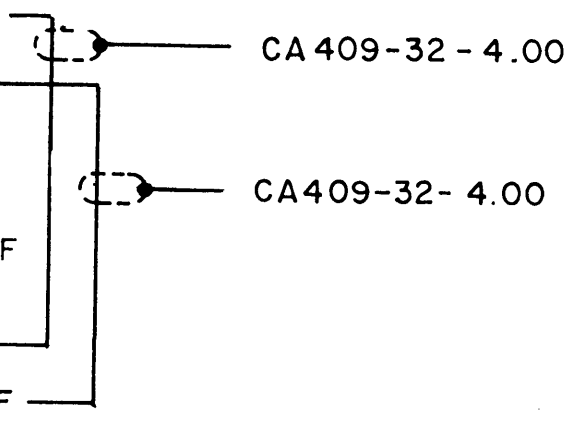
L8218

LINE LTR	DESCRIPTION
A	WIRE 23, 24, 25, 26, 27, 28, 29, 30, 31, 32, 33, 34, 35, 36, 37, 38, 39, 40, 41, 42, 43, 44, 45, 46, 47, 48, 49, 50, 51, 52, 53, 54, 55, 56, 57, 58, 59, 60, 61, 62, 63, 64, 65, 66, 67, 68, 69, 70, 71, 72, 73, 74, 75, 76, 77, 78, 79, 80, 81, 82, 83, 84, 85, 86, 87, 88, 89, 90, 91, 92, 93, 94, 95, 96, 97, 98, 99, 100
B	CA 409-32-5.0 WAS CA 409-133-5
C	SEE SHEET 1 & 2
D	SEE SHEET 2 OF 3

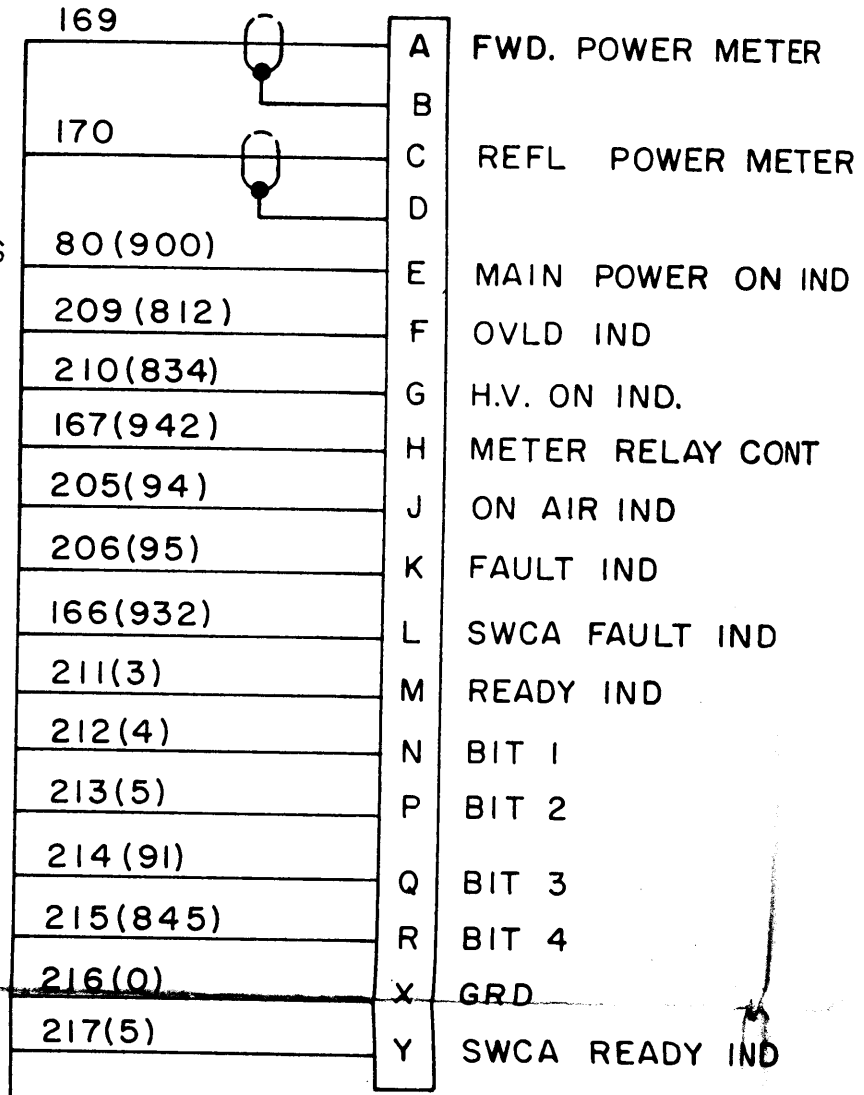


E8006

- 1 NO
- 2 C EXT
- 3 NC INT
- 4 XMTR
- 5 G PTT
- 6 NO
- 7 C RCVR
- 8 NC ON-OFF
- 9 XMTR
- 10 ON-OFF
- 11 -24 VDC
- 12
- 13 + KEY
- 14 -
- 15 FAX
- 16 GRD
- 17 G LINE 2 TIS
- 18
- 19 G LINE 1
- 20
- 21
- 22



LSCA - REMOTE J8005



REVISIONS							
ZONE	LTR	DESCRIPTION	DATE	E.M.N.NO	DRAFT	CHKD	APPD
	X	EXP. RELEASE	11-11-67				
	XI	SEE SH. 1	11-14-67				
	X2	SEE SHEET 1	3-2-67				
	Ø	ORIGINAL RELEASE FOR PROD	3-3-67		RME		

DATE	E.M.N. NO	DRAFT	CHKD	APPD
5-12-67	18201	LAK		
1-16-68	18722	H3		

**LRCA-REMOTE
J8004**

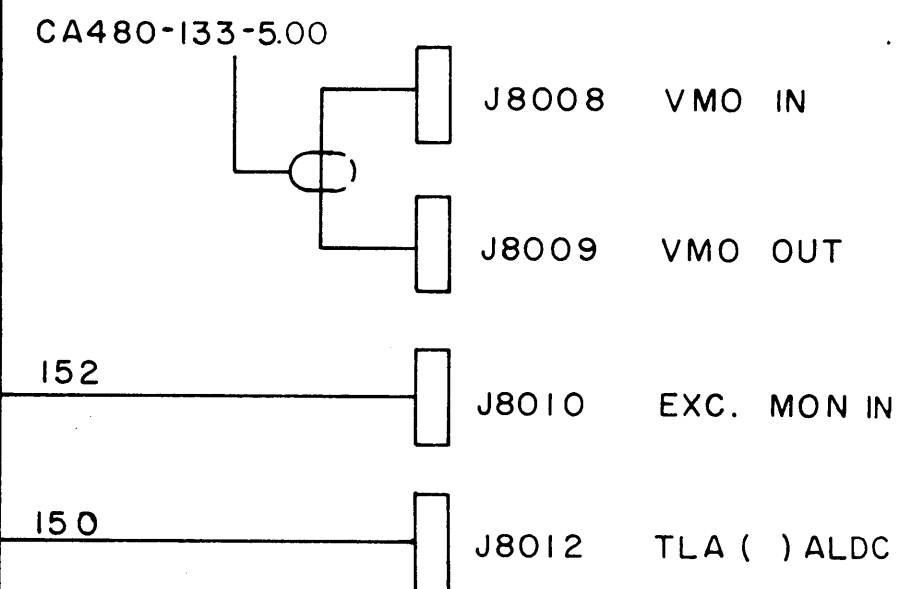
**EXCITER
J8003**

78(1)	A	
188-189(916)	B	TUNE SWITCH
82(917)	C	OVLD RESET
203(92)	D	SERVO ON-OFF
155(1)	E	TUNE CONTACT CLOSED
156(2)	F	TUNE OPER. CONTACT COMM.
157(90)	G	OPER CONT CLOSED
204(93)	H	60VDC FROM LRCA-24VDC TD
205(94)	J	ON AIR IND.
206(95)	K	FAULT IND
207(96)	L	H.V. ON-OFF
208(6)	M	H.V. ON-OFF
85(925)	N	H.V. OFF IND
97-210(834)	P	H.V. ON IND
211(3)	Q	READY IND
212(4)	R	BIT 1
213(5)	S	BIT 2
214(91)	T	BIT 3
215(845)	U	BIT 4
218(0)	V	GRD-COMM
219(932)	W	EXC CONT 1
220(942)	X	EXC CONT 2
221(944)	Y	EXC CONT 3
222(946)	Z	EXC CONT 4

171(1)	A	CH 1
	B	
172(2)	C	CH 1
173(3)	D	CH 2
	E	
174(4)	F	CH 2
175(5)	G	CARBON MIKE
176(6)	H	HI Z MIKE
177(91)	J	LO Z MIKE
178(0)	K	GRD
179(92)	L	ANTI-VOX
180(93)	M	PHONE
181(94)	N	KEY LINE
182(95)	P	KEY LINE
183(3)	R	PTT
184(4)	S	PTT
185(5)	T	RCVR ON-OFF
186(90)	U	RCVR ON-OFF
190(926)	V	XMTR ON-OFF
187(954)	W	XMTR ON-OFF
188(916)	X	TUNE SWITCH
154(6)	Z	CARRIER ON CONT
224(964)	a	CARRIER ON RETURN
158(914)	b	BAND 1
159(915)	c	BAND 2
160(916)	d	BAND 3
161(917)	e	BAND 4
162(918)	f	BAND 5
163(922)	g	BAND 6
164(925)	h	BAND 7
165(926)	j	BAND 8
223(0)	k	CONT WAFER COMM.
219(932)	m	BIT 1
220(942)	n	BIT 2
221(944)	p	BIT 3
222(946)	r	BIT 4

**TIS
J8007**

191(91)	A	LINE 1
	B	
192(92)	C	LINE 1
193(93)	D	LINE 2
	E	
194(94)	F	LINE 2
199(0)	K	GRD
200(5)	L	FAX
195(1)	M	CH 1
196(2)	N	CH 1
197(3)	P	CH 2
198(4)	R	CH 2
201(6)	S	KEY LINE (-)
202(96)	T	KEY LINE (+)

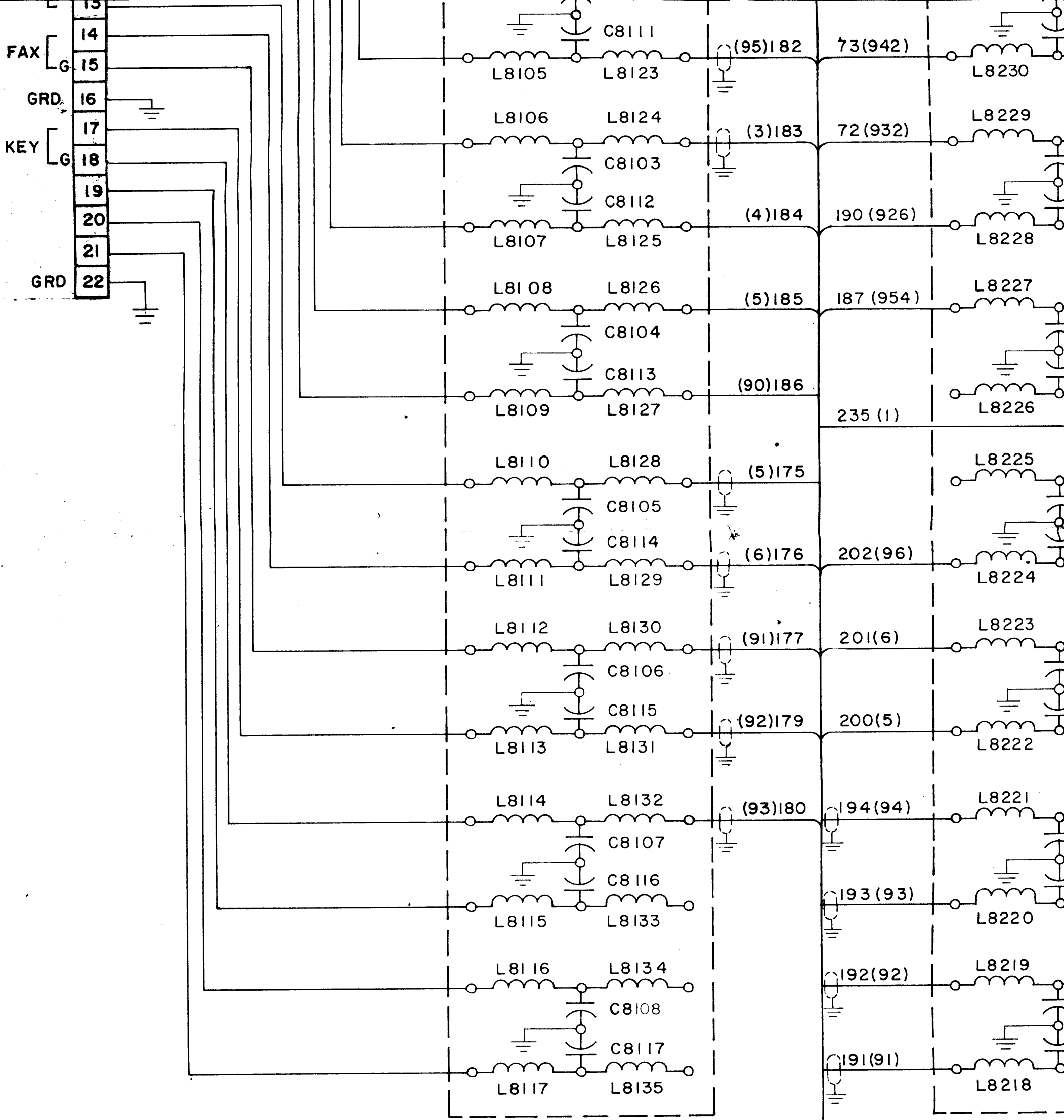


D

C

B

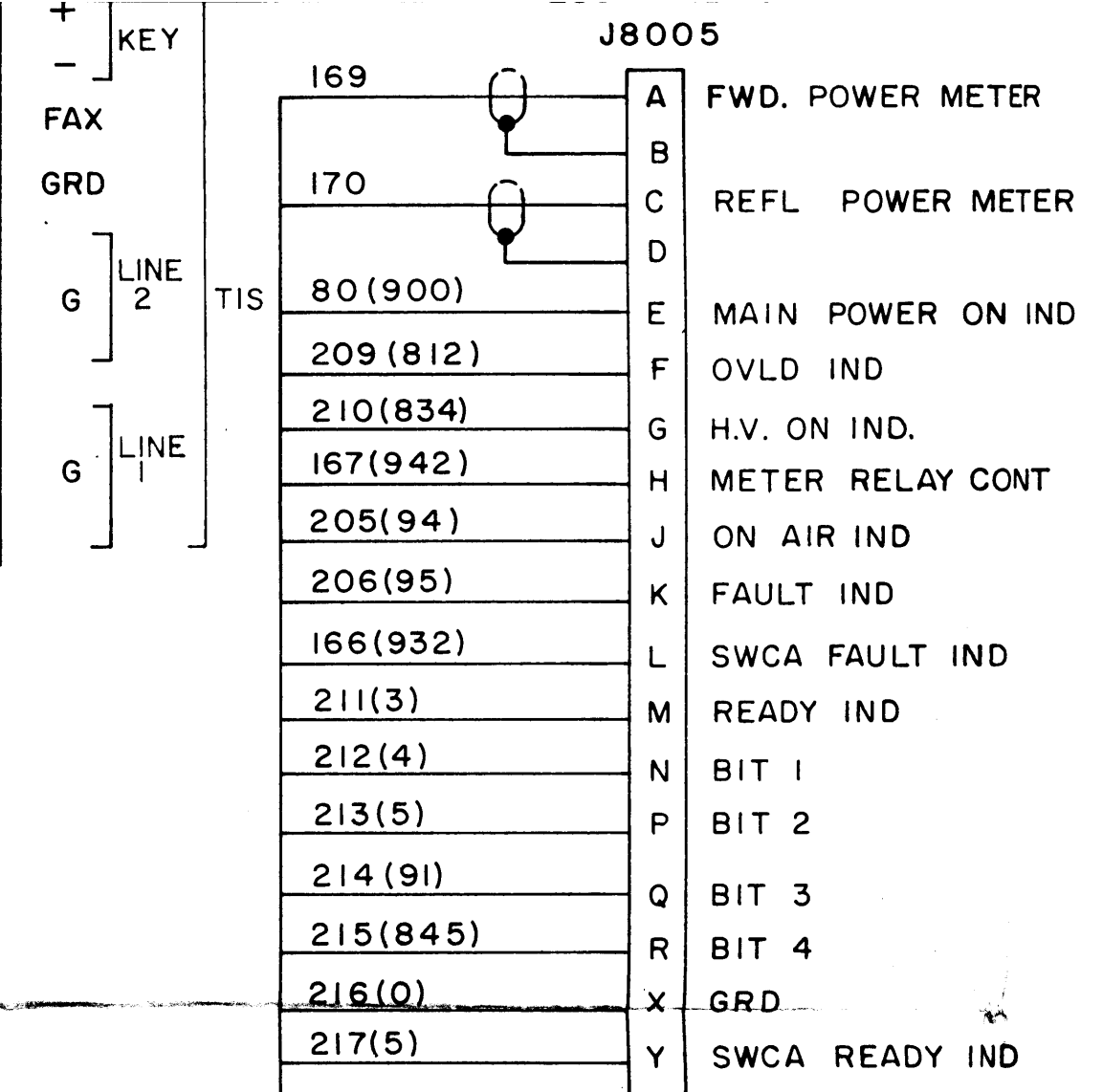
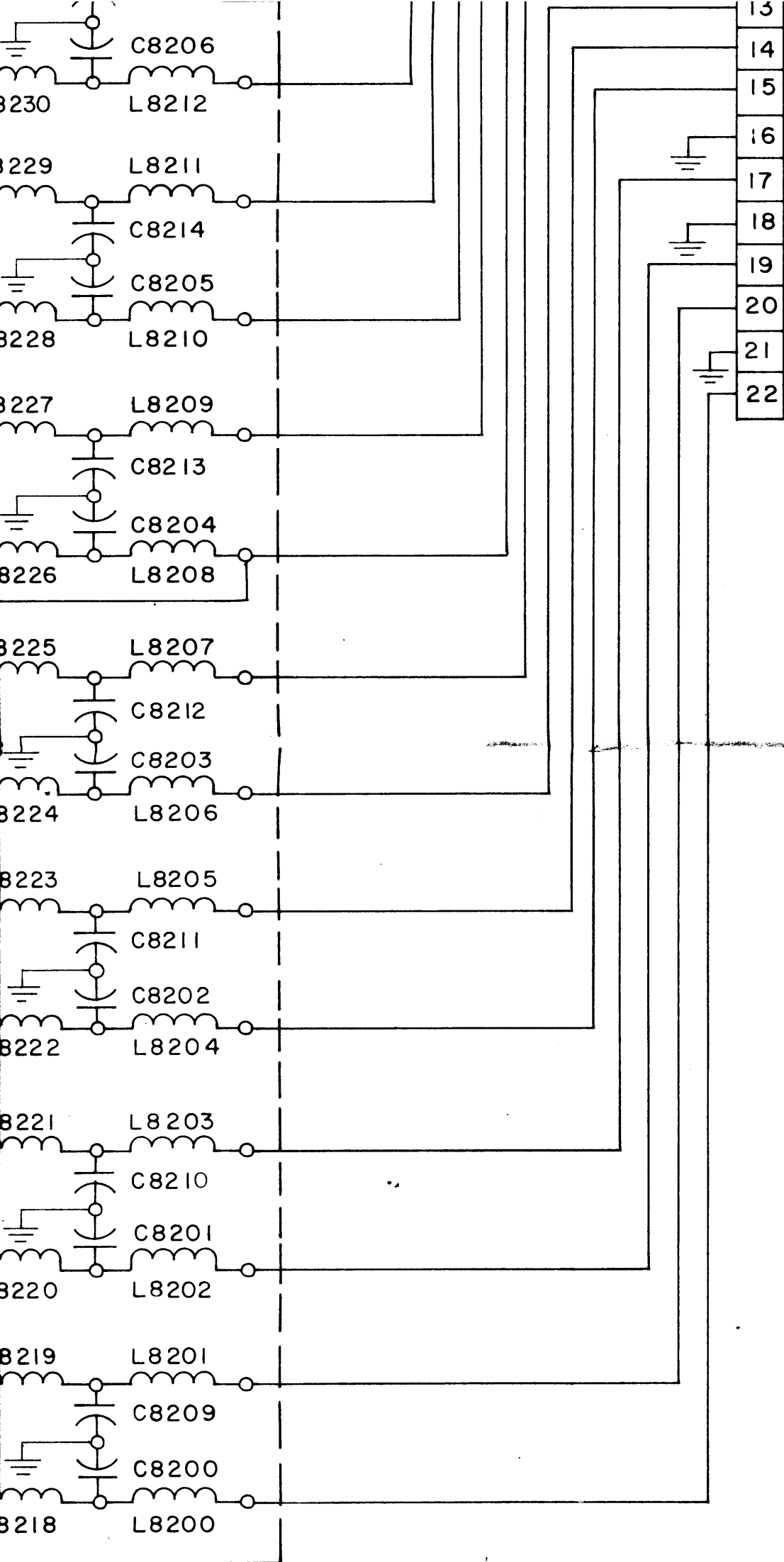
CK/237



L8100 - L8135
 L8200 - L8235 10 μ H
 C8100 - C8117
 C8200 - C8217 510 μ F

197, 198, 200, 201, 202, 203
 185, 186, 187, 190, 191, 192, 193
 174, 175, 176, 177, 178
 19, 69, 72, 73, 111, 112, 127, 128

148, 168, 178,
 199, 216, 218, 223



01, 202, 232, 235
 1, 192, 193, 194, 195, 196
 7, 178, 180, 181, 182, 183, 184
 12, 127, 136, 171, 172, 173

215, 217
 211, 212, 213, 214
 205, 206, 209, 210
 80, 166, 167, 169, 170
 218, 215, 214, 213, 212, 211
 210, 206, 205, 202, 201
 200, 199, 198, 197, 196
 195, 194, 193, 192, 191

TST() 25K, RAK110.2		
QTY	UNIT	ASS'Y NO.
APPLICATION		
CODE		

NOTICE TO PERSONS RECEIVING THIS DRAWING
 THE TECHNICAL MATERIEL CORPORATION claims proprietary right in the material disclosed hereon. This drawing is issued in confidence for engineering information only and may not be reproduced or used to manufacture anything shown hereon without permission from THE TECHNICAL MATERIEL CORPORATION to the user. This drawing is loaned for mutual assistance and is subject to recall at any time.

5



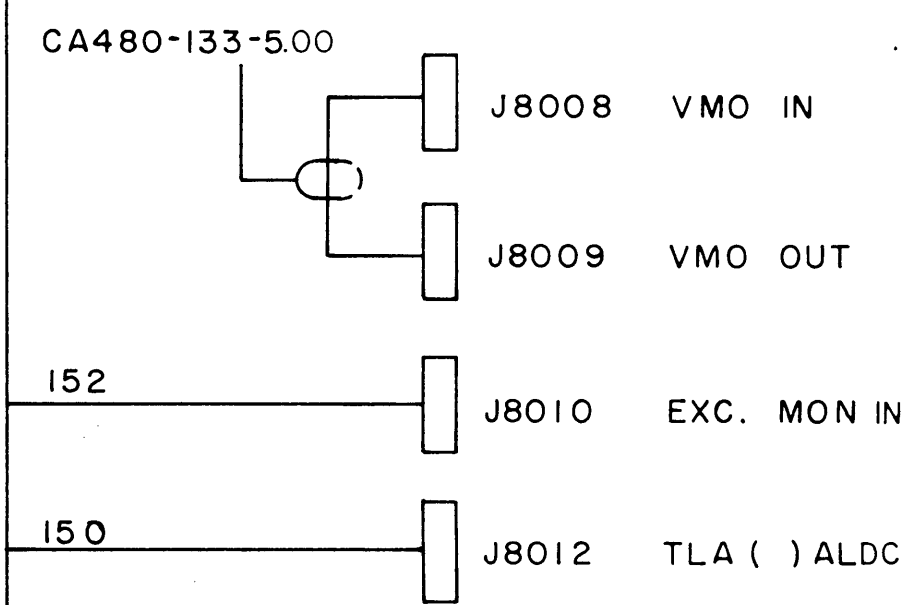
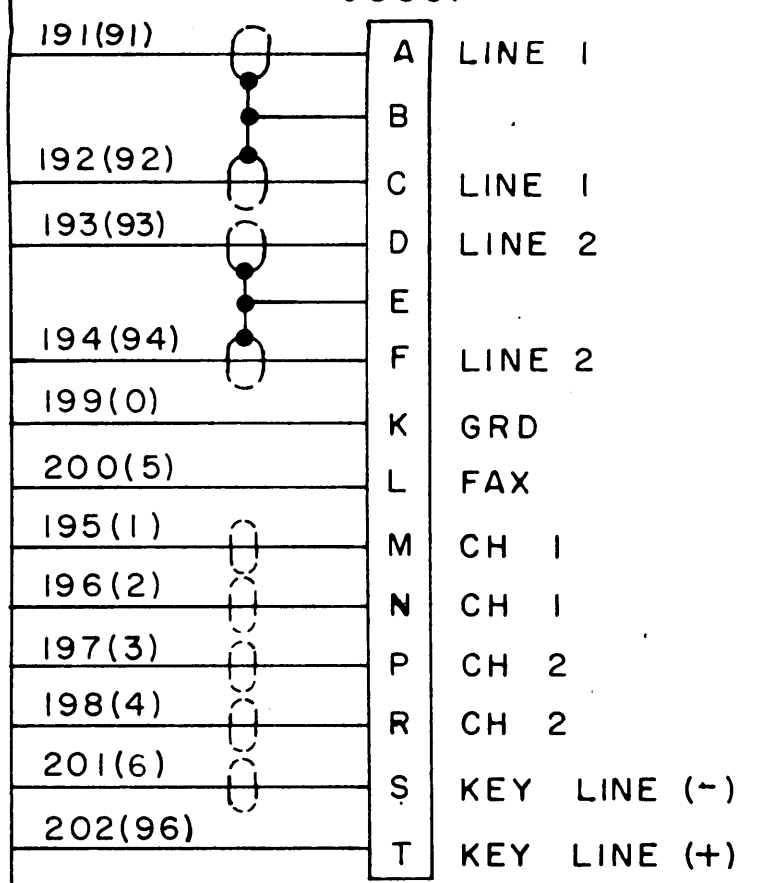
4

TER
ETER
IND
ONT

207(96)	K	FAULT IND
208(6)	L	H.V. ON-OFF
85(925)	M	H.V. ON-OFF
97-210(834)	N	H.V. OFF IND
211(3)	P	H.V. ON IND
212(4)	Q	READY IND
213(5)	R	BIT 1
214(91)	S	BIT 2
215(845)	T	BIT 3
218(0)	U	BIT 4
219(932)	V	GRD-COMM
220(942)	W	EXC CONT 1
221(944)	X	EXC CONT 2
222(946)	Y	EXC CONT 3
	Z	EXC CONT 4

179(92)	L	GRD
180(93)	M	ANTI-VOX
181(94)	N	PHONE
182(95)	N	KEY LINE
183(3)	P	KEY LINE
184(4)	R	PTT
185(5)	S	PTT
186(90)	T	RCVR ON-OFF
190(926)	U	RCVR ON-OFF
187(954)	V	XMTR ON-OFF
188(916)	W	XMTR ON-OFF
154(6)	X	TUNE SWITCH
224(964)	Z	CARRIER ON CONT
158(914)	a	CARRIER ON RETURN
159(915)	b	BAND 1
160(916)	c	BAND 2
161(917)	d	BAND 3
162(918)	e	BAND 4
163(922)	f	BAND 5
164(925)	g	BAND 6
165(926)	h	BAND 7
223(0)	j	BAND 8
219(932)	k	CONT WAFER COMM.
220(942)	m	BIT 1
221(944)	n	BIT 2
222(946)	p	BIT 3
	r	BIT 4

TIS
J8007



212,211 221,222 223,222,221,220,219,190
 202,201 207,208,219,220, 188,187,186,185,184,183
 197,196 157,188,189,203,204 182,181,180,179,178,177
 192,191 78,82,85,97,155,156 176,175,174,173,172,171

TO SHEET 2

QTY. REQ.	ITEM	PART NO.	DESCRIPTION	SYMBOL
-----------	------	----------	-------------	--------

LIST OF MATERIAL

UNLESS OTHERWISE SPECIFIED DIMENSIONS ARE IN INCHES AND INCLUDE CHEMICALLY APPLIED OR PLATED FINISHES TOLERANCES ON DECIMALS X ± .05 XX ± .01 XXX ± .005 FRACTIONS ± 1/64 ANGLES ± 0° 30'	FINAL APPROVAL	DATE
	MECH DES	DATE
	ELECT DES	DATE
	CHECKED	DATE
	DRAWN	DATE
MATERIAL		
FINISH		

THE TECHNICAL MATERIAL CORP.

INTERCONNECT WIRING DIAGRAM

(Sheet 3 of 3)

Figure 2-12

SCALE	SHEET 3 OF 3
-------	--------------

3

2

1

C

B

CK/237

A

J8001-P8024

FILTER
J8002

28	(90)	A
29	(91)	B
30	(92)	C
31	(93)	D
32	(94)	E
33	(95)	F
34	(96)	G
35	(97)	H
36	(98)	J
37	(900)	K
38	(913)	L
39	(914)	M
40	(915)	N
41	(916)	P
66	(5)	Q
67	(3)	R
68	(2)	S
69	(0)	T

BAND 1-7
CONTROL

BAND 1-7
INTERLOCK

SEE CK 1237

COMM
26 VDC
5 VAC
GRD

RF DRIVE
J8011

53



A	(922)	47
B	(2)	42
C		
D		
E		
F		
G		
H		
I		
J	(92)	43
K		
L	(917)	45
M	(918)	46
N	(1)	10
O	(2)	11
P	(3)	12
Q	(4)	13
R	(5)	14
S	(6)	15
T	(7)	16
U	(8)	17
V	(9)	18
W		
X		
Y		
Z		
a		
b		
c		
d		
e		
f		
g		
h		
i		
j		
k		
l		
m		
n		
o		
p	(93)	57
q	(94)	58
r	(95)	59
s	(96)	60
t	(97)	61
u		
v	(925)	48
w		51
x		
y		52
z		
2	(0)	56
3		

E8007

1	(2)	68
2	(3)	67
3		
4	(5)	66
5	XX XXXX	
6	SEE NOTE I	
7		
8		
9		

SEE CK 1237

59, 60, 61
56, 57, 58
48, 51, 52
45, 46, 47

49

50

63

61-

62

64

57

63

64

58

59

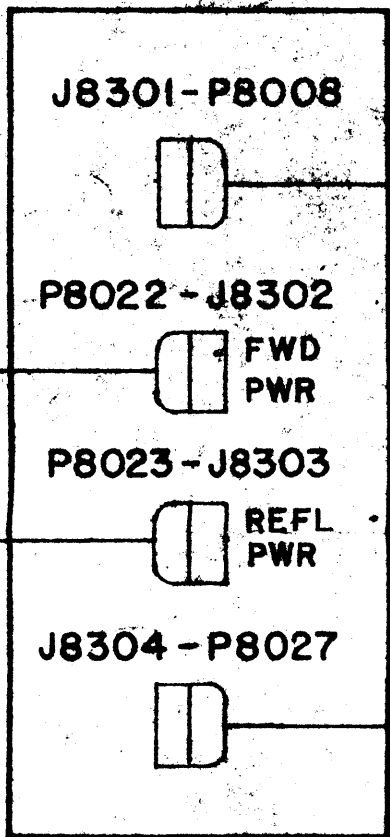
65

60

(PART OF FIXED FILTER AFI07)
IF FILTER IS ORDERED

DIRECTIONAL COUPLER

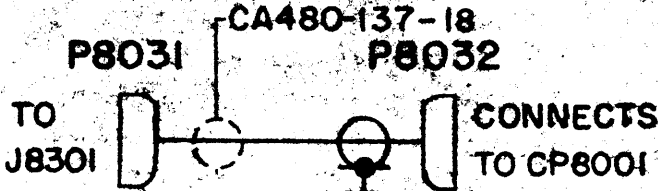
DC8301



CA480-105-48 (WITHOUT SWITCHABLE FILTER, TFP-2.5K)

CA480-105-18 CONNECTS TO CP8002 IF OPTIONAL SWITCHABLE FILTER IS USED (TFP-2.5K)

OPTIONAL WITH SWITCHABLE FILTER (TFP-2.5K)

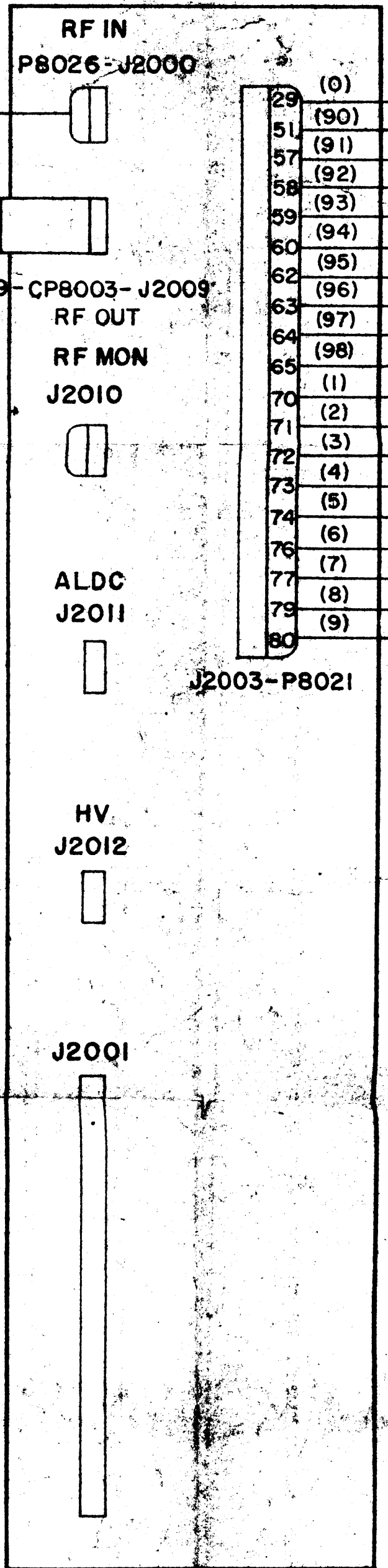


(CP8000 OPTIONAL W/FXD FILTER AFI07)

P8028 - CP8000 - P8029

CA480-137-26
OPTIONAL W/FXD. FILTER

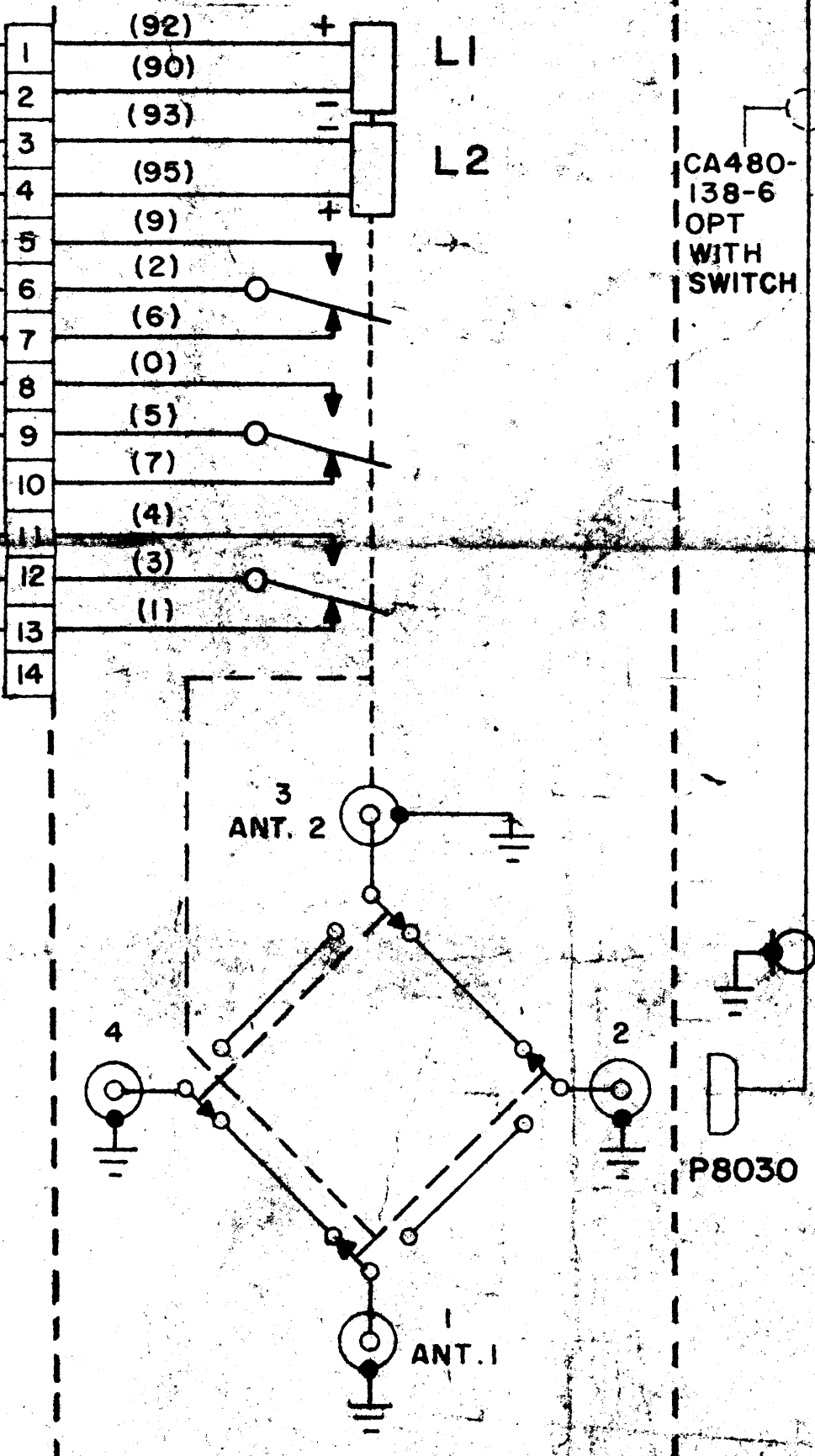
TLAB



29	(0)
51	(90)
57	(91)
58	(92)
59	(93)
60	(94)
62	(95)
63	(96)
64	(97)
65	(98)
70	(1)
71	(2)
72	(3)
73	(4)
74	(5)
76	(6)
77	(7)
79	(8)
80	(9)

E8008

63	(91)
61-62	(97)
62	(97)
64	(92)
57	(93)
63	(91)
64	(92)
58	(94)
59	(95)
65	(0)
60	(96)



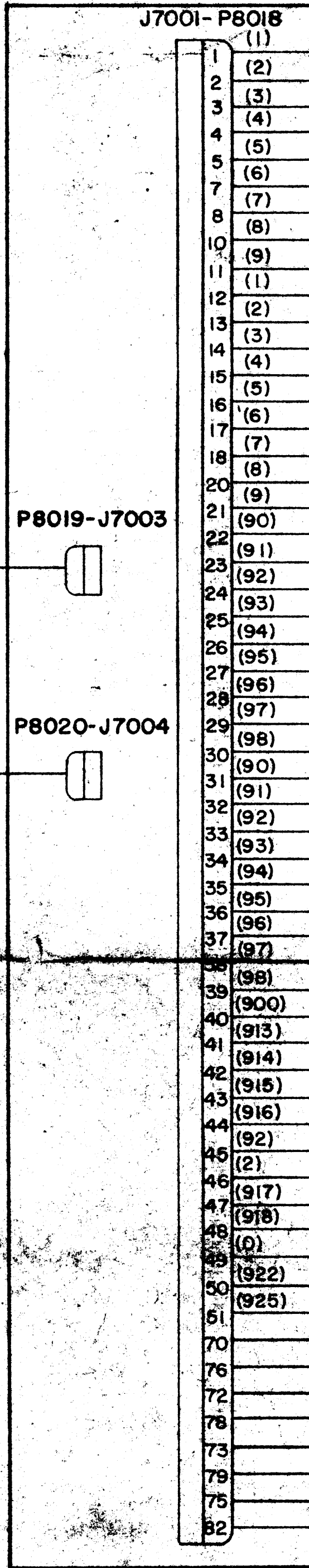
SWITCH OPTIONAL SHOWN IN 1.2

REVISIONS							
ZONE	LTR	DESCRIPTION	DATE	E. M. N. NO.	DRAFT	CHKD	APPD
	X	DCB301 & TLAB REVISED	5/2/67			PME	
	Ø	ORIGINAL RELEASE FOR PRODUCTION	7/3/67	8		CV	

SWCB

(0)	55
(90)	19
(91)	20
(92)	21
(93)	22
(94)	23
(95)	24
(96)	25
(97)	26
(98)	27
(1)	1
(2)	2
(3)	3
(4)	4
(5)	5
(6)	6
(7)	7
(8)	8
(9)	9

021



51, 50, 49, 48, 47, 46, 45, 44
43, 42, 41, 40, 39, 38, 37, 36

52 CA1269

D

C

CA1269

37	(900)
38	(913)
39	(914)
40	(915)
41	(916)
66	(5)
67	(3)
68	(2)
69	(0)

J
K
L
M
N
P
Q
R
S
T

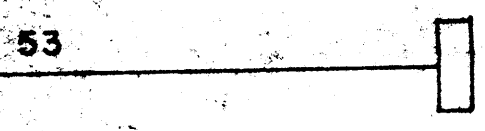
BAND 1-7
INTERLOCK

SEE CK 1237

COMM
26 VDC
5 VAC
GRD

R	(3)	12
S	(4)	13
T	(5)	14
U	(6)	15
V	(7)	16
W	(8)	17
X	(9)	18
Y		
Z		
a		
b		
c		
d		
e		
f		
g		
h		
i		
j		
k		
l		
m		
n		
p	(93)	57
q	(94)	58
r	(95)	59
s	(96)	60
t	(97)	61
u		
v	(925)	48
w		51
x		
y		52
z		
2	(0)	56
3		

RF DRIVE
J8011



E8007

1	(2)	68
2	(3)	67
3		
4	(5)	66
5	XXX XX	
6	SEE NOTE 1	
7		
8		
9		
10		

SEE CK 1237

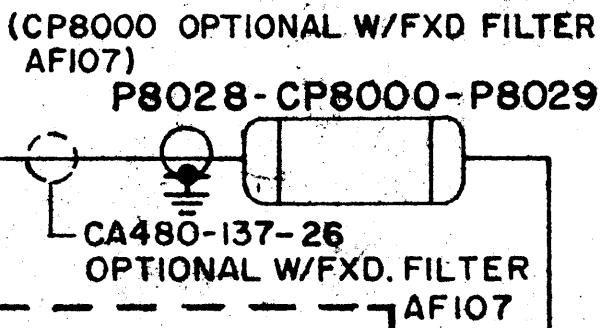
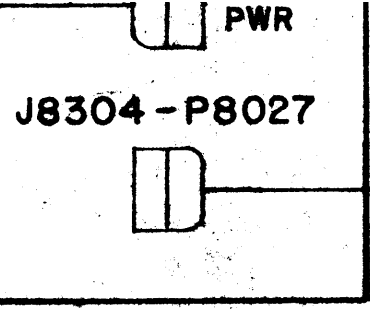
67, 68, 69
36, 37, 38, 39, 40, 41, 53, 66
28, 29, 30, 31, 32, 33, 34, 35

59, 60, 61
56, 57, 58
48, 51, 52
45, 46, 47
42, 43,
16, 17, 18
13, 14, 15
10, 11, 12
60, 61
59, 58, 57

68, 67, 66

NOTES:

- CONNECT AS SHOWN *** FOR REMOTE H.V. CONTROL. CONNECT AS SHOWN --- FOR LOCAL H.V. CONTROL.
- NUMBERS SHOWN IN () PARENTHESIS DENOTES COLORS OF WIRES.



72	(4)
73	(5)
74	(6)
76	(7)
77	(8)
79	(9)
80	

ALDC
J2011

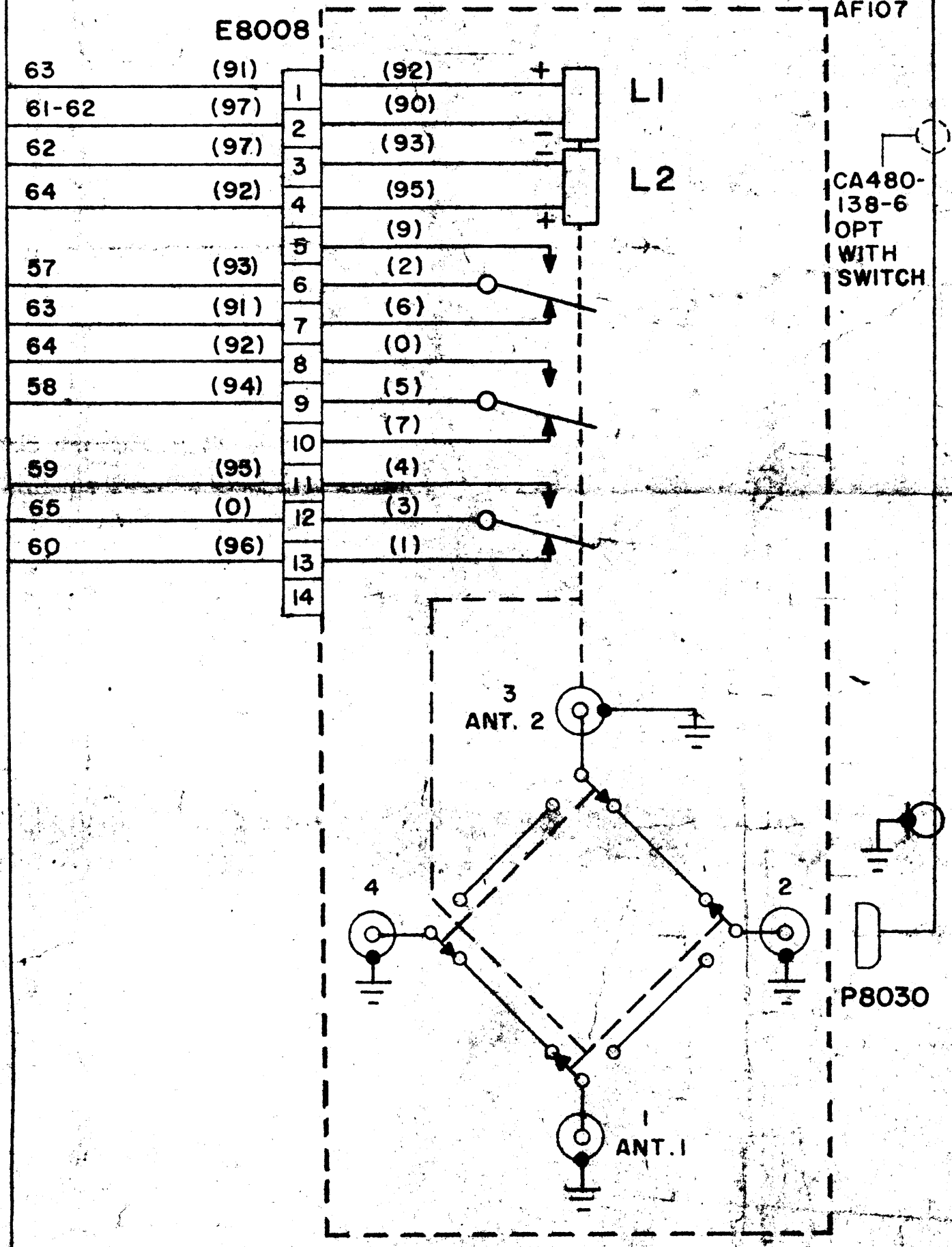
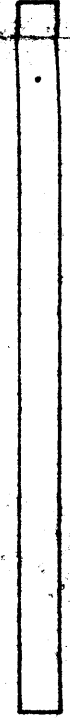


J2003 - P8021

HV
J2012



J2001



SWITCH OPTIONAL
SHOWN IN L2
ENERGIZED POSITION.

8,57 49,50,65

54

69,65,56 44,55

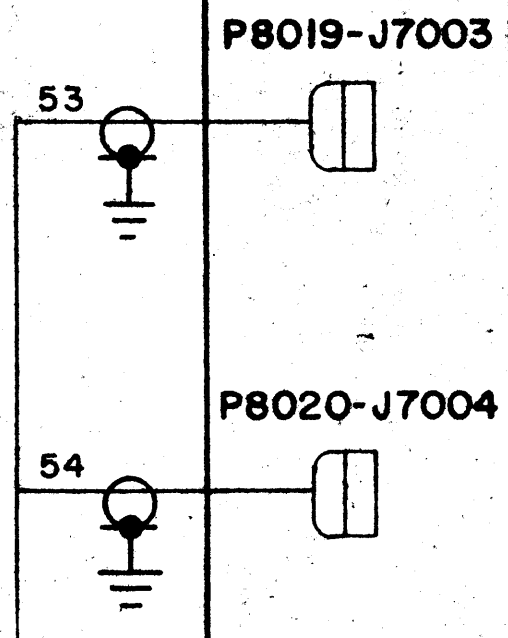


1	RAK110-2P/TST1 125K	
QTY / UNIT	MODEL USED ON	ASSY NO.
APPLICATION		
CODE		

NOTICE TO USER: THIS DRAWING IS THE PROPERTY OF THE COMPANY AND IS NOT TO BE REPRODUCED OR TRANSMITTED IN ANY FORM OR BY ANY MEANS, ELECTRONIC OR MECHANICAL, INCLUDING PHOTOCOPYING, RECORDING, OR BY ANY INFORMATION STORAGE AND RETRIEVAL SYSTEM, WITHOUT THE WRITTEN PERMISSION OF THE COMPANY.

(4)	4
(5)	5
(6)	6
(7)	7
(8)	8
(9)	9

021



15	(5)	14
16	(6)	15
17	(7)	16
18	(8)	17
20	(9)	18
21	(90)	19
22	(91)	20
23	(92)	21
24	(93)	22
25	(94)	23
26	(95)	24
27	(96)	25
28	(97)	26
29	(98)	27
30	(90)	28
31	(91)	29
32	(92)	30
33	(93)	31
34	(94)	32
35	(95)	33
36	(96)	34
37	(97)	35
38	(98)	36
39	(900)	37
40	(913)	38
41	(914)	39
42	(915)	40
43	(916)	41
44	(92)	43
45	(2)	42
46	(917)	45
47	(918)	46
48	(0)	44
49	(922)	47
50	(925)	48
61		49
70		
76		
72		51
78		
73		50
79		
75		52
82		

24, 25, 26, 27
20, 21, 22, 23
6, 7, 8, 9, 19
55 1, 2, 3, 4, 5 54 53

52 CA1269
51, 50, 49, 48, 47, 46, 45, 44
43, 42, 41, 40, 39, 38, 37, 36
35, 34, 33, 32, 31, 30, 29, 28
27, 26, 25, 24, 23, 22, 21, 20
19, 18, 17, 16, 15, 14, 13, 12, 11
10, 9, 8, 7, 6, 5, 4, 3, 2, 1

QTY. REQ.	ITEM	PART NO.	DESCRIPTION	SYMBOL
-----------	------	----------	-------------	--------

BUDGETT LIST OF MATERIAL

UNLESS OTHERWISE SPECIFIED DIMENSIONS ARE IN INCHES AND INCLUDE CHEMICALLY APPLIED OR PLATED FINISHES

FINAL APPROVAL	DATE
MECH. DES.	DATE
ELECT. DES.	DATE
CHECKED	DATE
DRAWN	DATE

THE TECHNICAL MATERIEL CORP.
MAMARONECK, NEW YORK

TOLERANCES ON
DECIMALS .X ± .05
.XX ± .01
XXX ± .005
FRACTIONS ± 1/64
ANGLES ± 0° 30'

MATERIAL

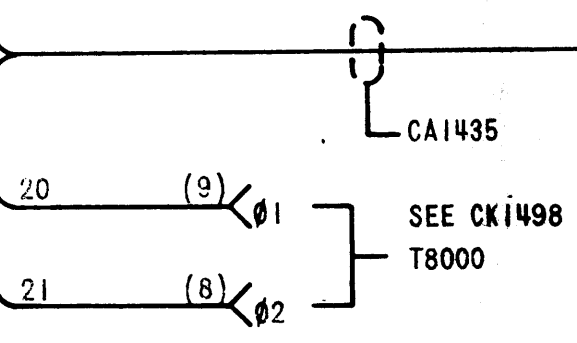
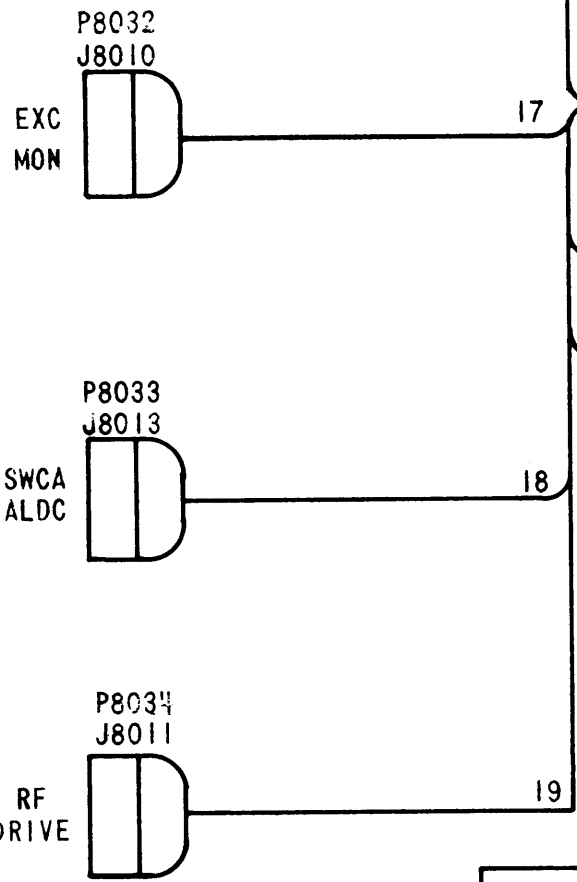
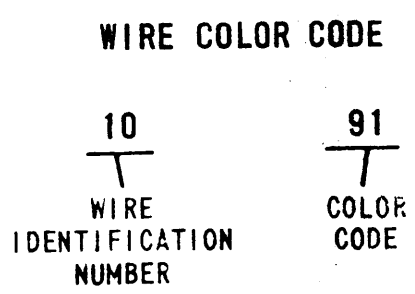
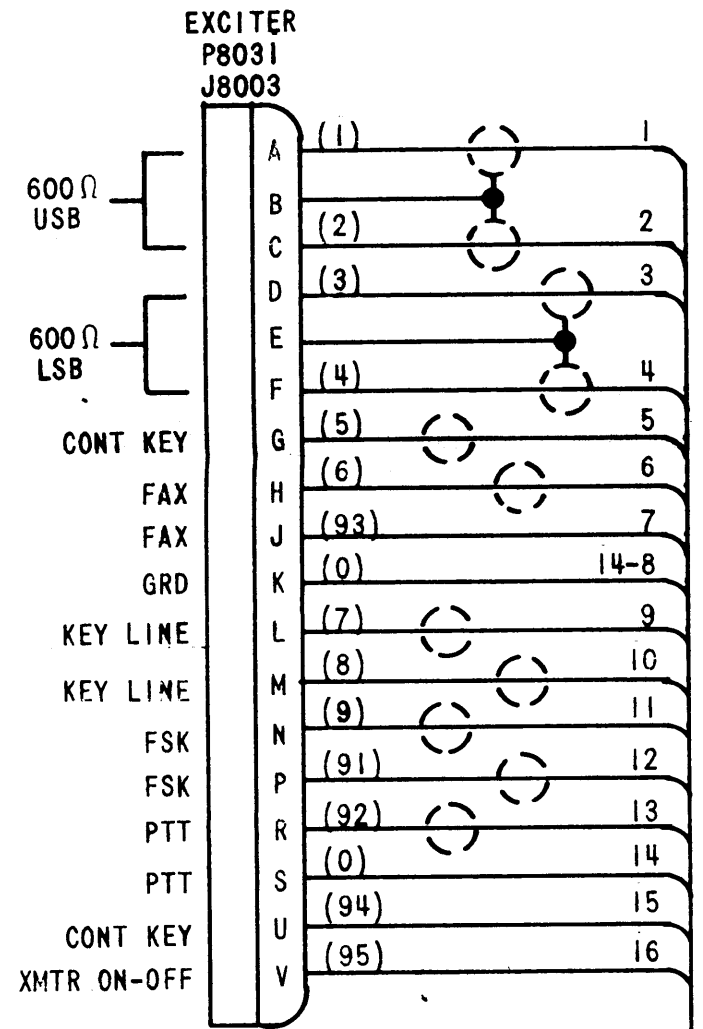
INTERCONNECT WIRING DIAGRAM

FIGURE 2-13

4

3

MMXM-2



1	GPTM-2.5 JA	
QTY / UNIT	MODEL USED ON	ASS'Y NO.
APPLICATION		
	CODE	

NOTICE TO PERSONS RECEIVING THIS DRAWING
 THE TECHNICAL MATERIEL CORPORATION claims proprietary right in the material disclosed hereon. This drawing is issued in confidence for engineering information only and may not be reproduced or used to manufacture anything shown hereon without permission from THE TECHNICAL MATERIEL CORPORATION to the user. This drawing is loaned for mutual assistance and is subject to recall at any time.

UNLESS OTHER DIMENSIONS AND INCLUDE CH OR PLATE

TOLERANCE

DECIMALS
.X ± .05
.XX ± .01
.XXX ± .005

MATERIAL

FINISH

D

C

B

A

4

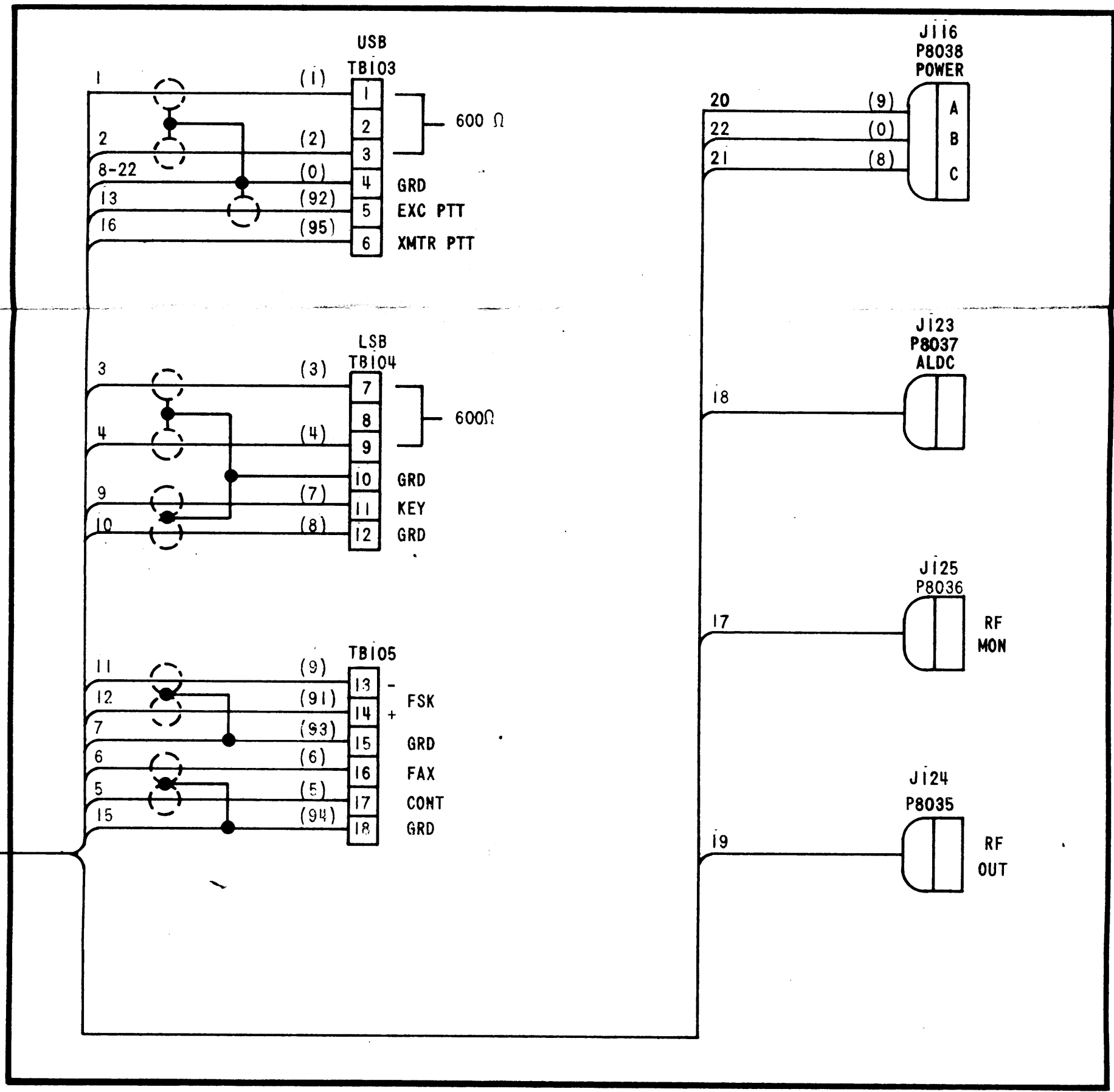
3

2

1

REVISIONS						
ZONE	LTR	DESCRIPTION	DATE	E.M.N.NO	DRAFT	CHKD APPD
	X	EXP. RELEASE	5-9-68			
		CHK RELEASE FOR HMM	5-20-68			

MMXM-2



D

C

CK1496 B

QTY. REQ.	ITEM	PART NO.	DESCRIPTION	SYMBOL
F. BUDETTI LIST OF MATERIAL				

UNLESS OTHERWISE SPECIFIED DIMENSIONS ARE IN INCHES AND INCLUDE CHEMICALLY APPLIED OR PLATED FINISHES	
TOLERANCES ON	
DECIMALS .X ± .05 .XX ± .01 .XXX ± .005	FRACTIONS ± 1/64 ANGLES ± 0°-30'
MATERIAL	
FINISH	

FINAL APPROVAL <i>[Signature]</i>	DATE 5-20-68
MECH. DES.	DATE
ELECT. DES.	DATE 5-17-68
CHECKED <i>[Signature]</i>	DATE 5-17-68
DRAWN J.W.	DATE 5-9-68

THE TECHNICAL MATERIEL CORP.
MAMARONECK, NEW YORK

DIAGRAM SCHEMATIC
EXCITER INTERCONNECT

FIGURE 2-14

A

2

1

UNLESS OTHERWISE SPECIFIED

ALL RESISTORS ARE IN OHMS.

ALL COILS ARE IN MICROHENRIES.

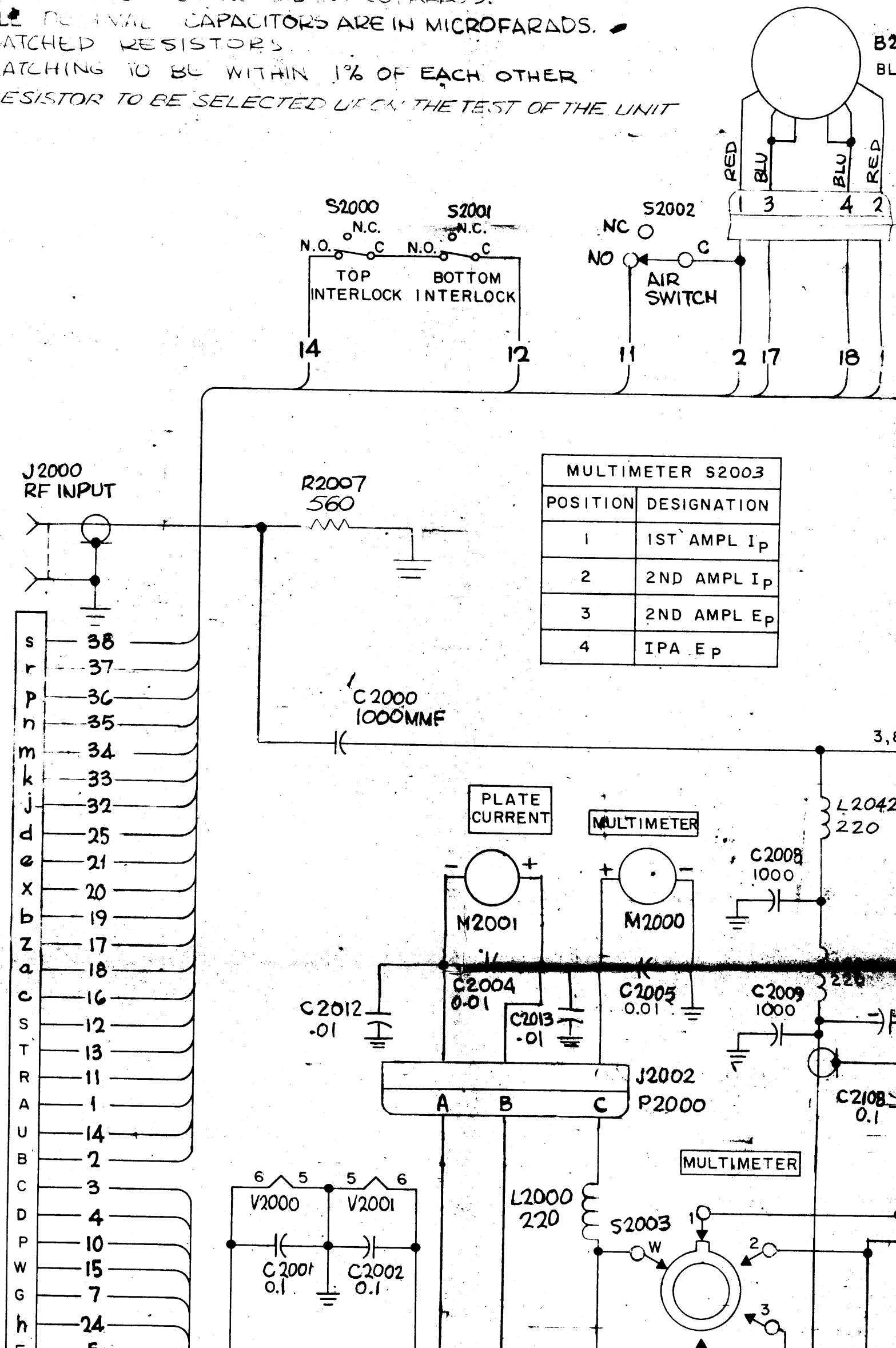
ALL WHOLE CAPACITORS ARE IN PICO FARADS.

ALL FRACTIONAL CAPACITORS ARE IN MICROFARADS.

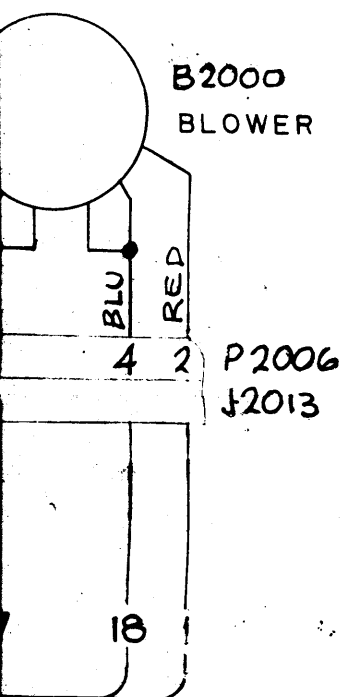
* MATCHED RESISTORS

** MATCHING TO BE WITHIN 1% OF EACH OTHER

*** RESISTOR TO BE SELECTED UPON THE TEST OF THE UNIT

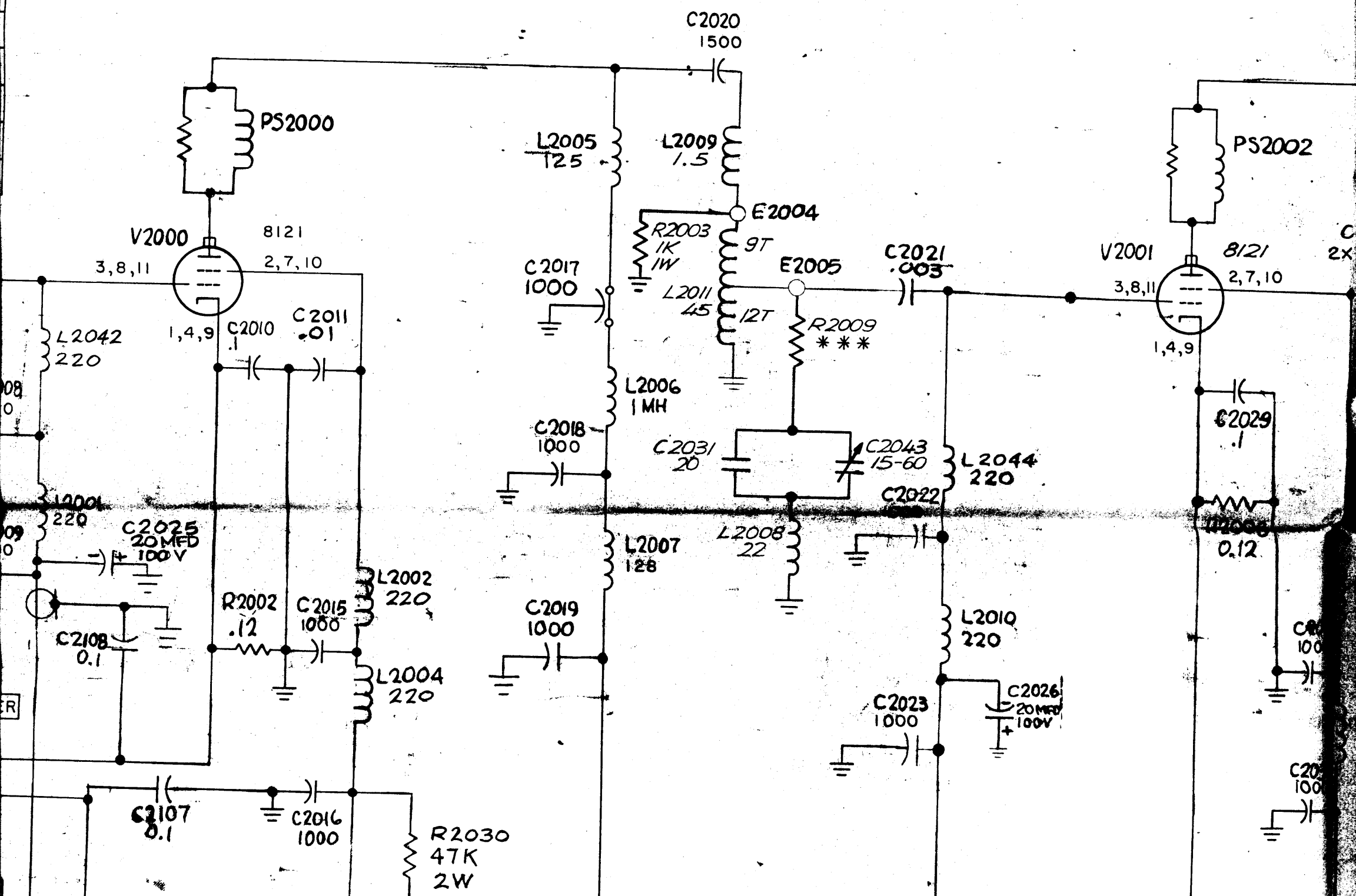


MULTIMETER S2003	
POSITION	DESIGNATION
1	1ST AMPL I _p
2	2ND AMPL I _p
3	2ND AMPL E _p
4	IPA E _p



2 ND AMPL. BAND SWITCH S2004

BAND MHZ	ROTOR POSITION		
	S2004-A	S2004-B	S2004-C
2.0-3.0	10F	10	10
3.0-4.0	9F	9	9
4.0-5.0	8F	8	8
5.0-7.0	11R	7	7
7.0-11.0	10R	6	6
11.0-15.0	9R	5	5
15.0-19.0	8R	4	4
19.0-24.0	7R	3	3
24.0-30.0	6R	2	2



J2003

12 13 49

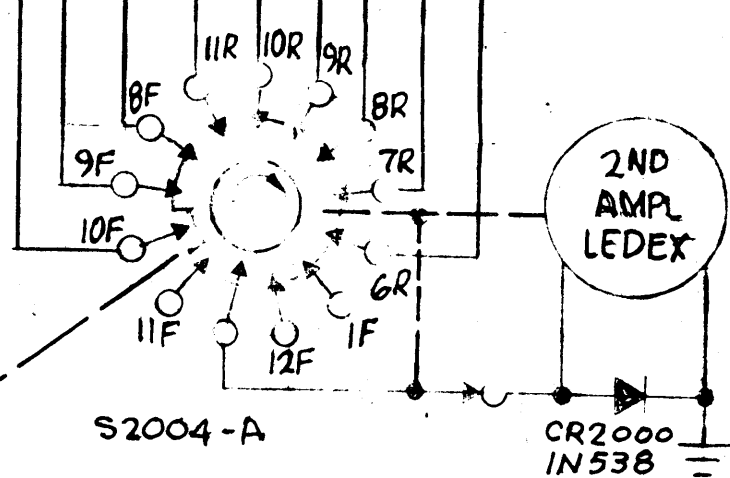
2 1 3 5 4 11 7 10 8

51 57 58 59 60 62 63 64 65

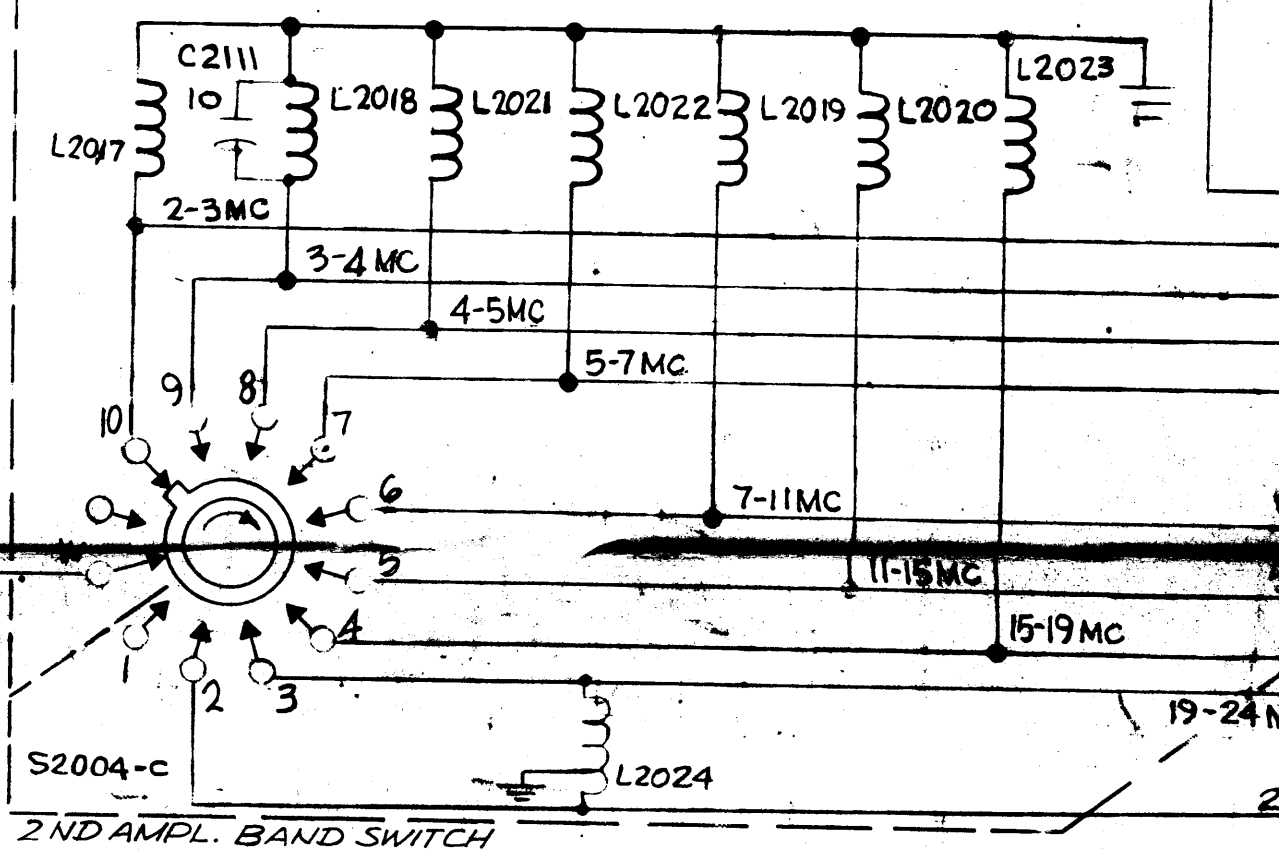
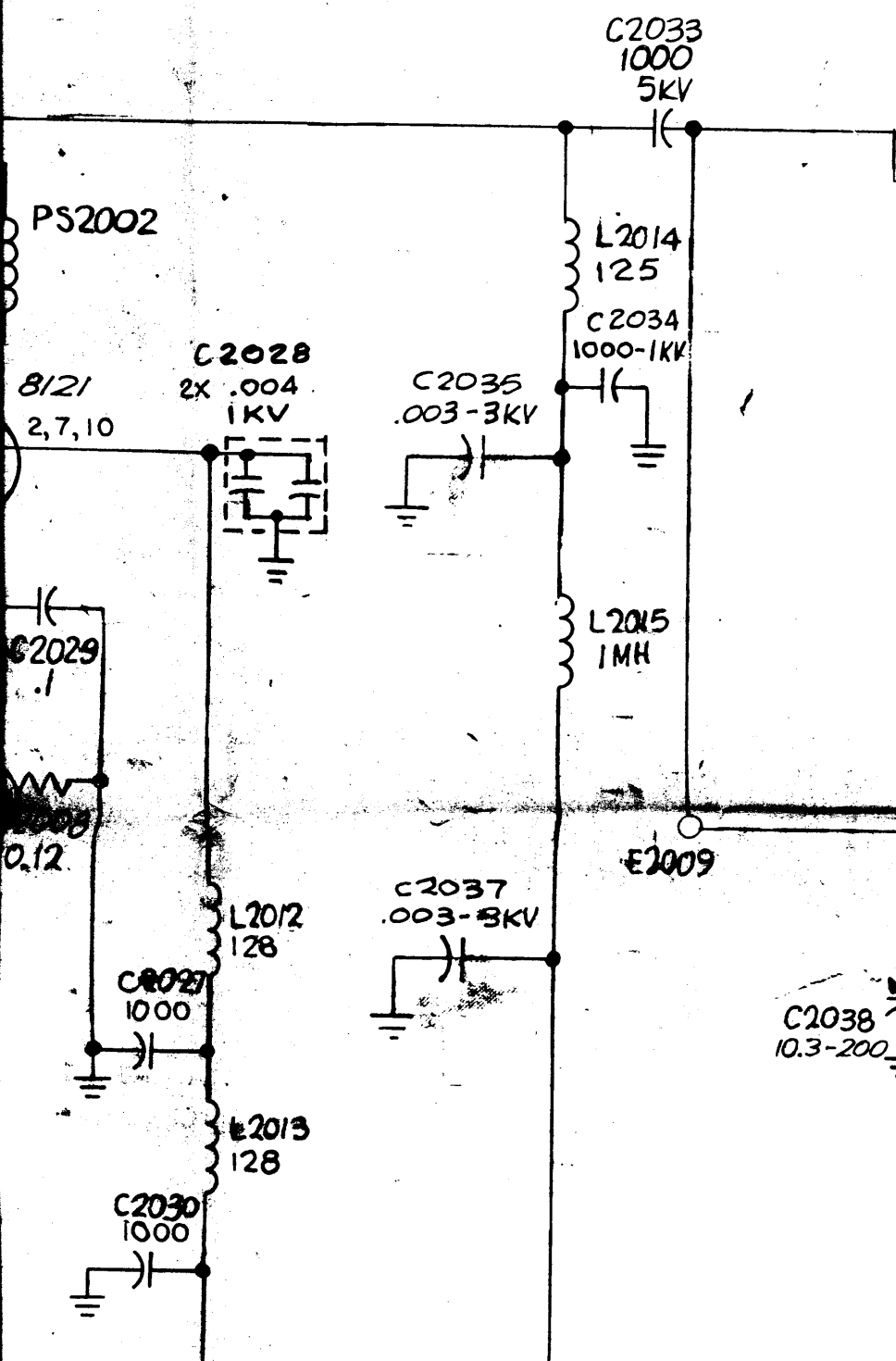
79 77 76 74 73 72 71 70 80

J2004

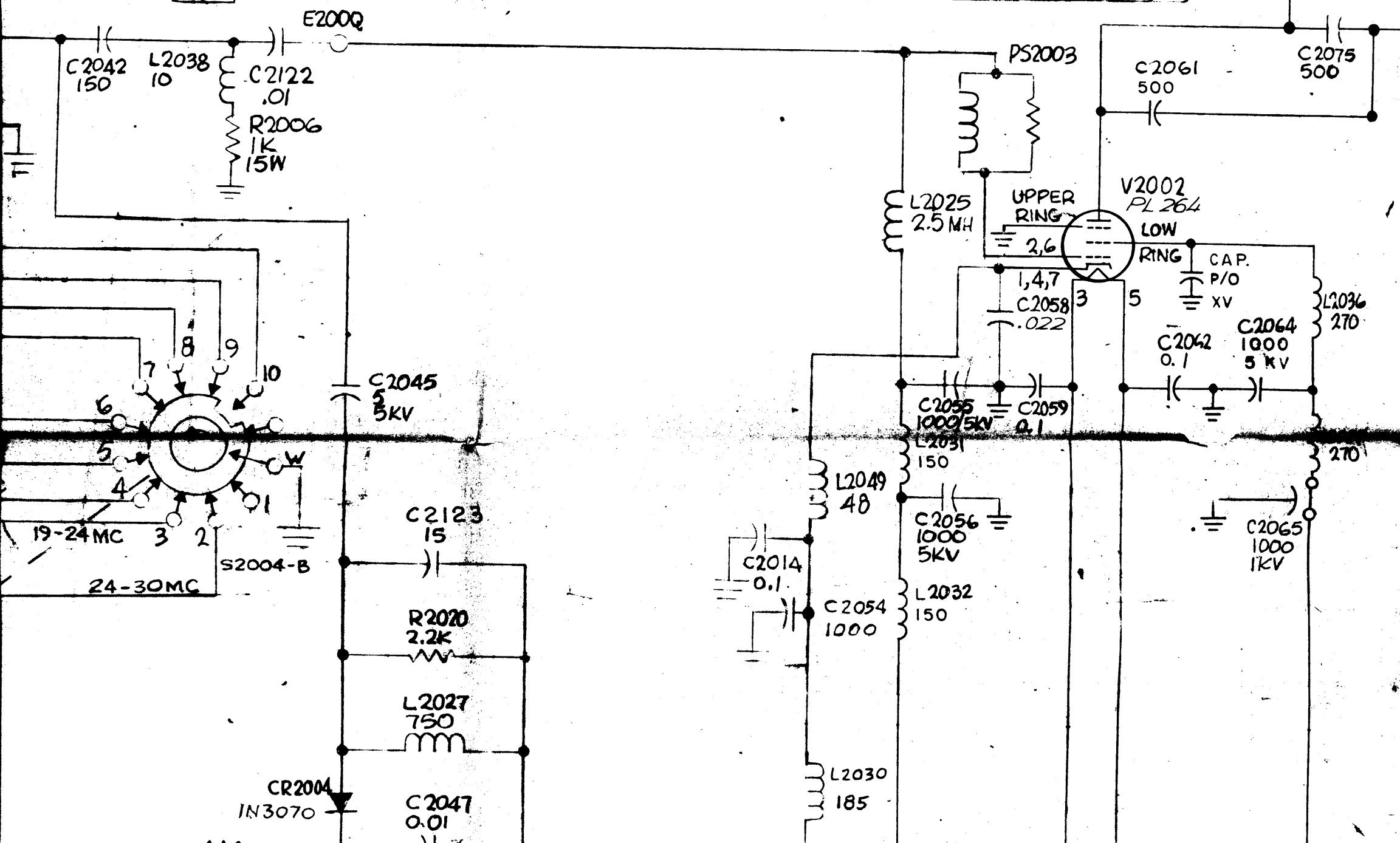
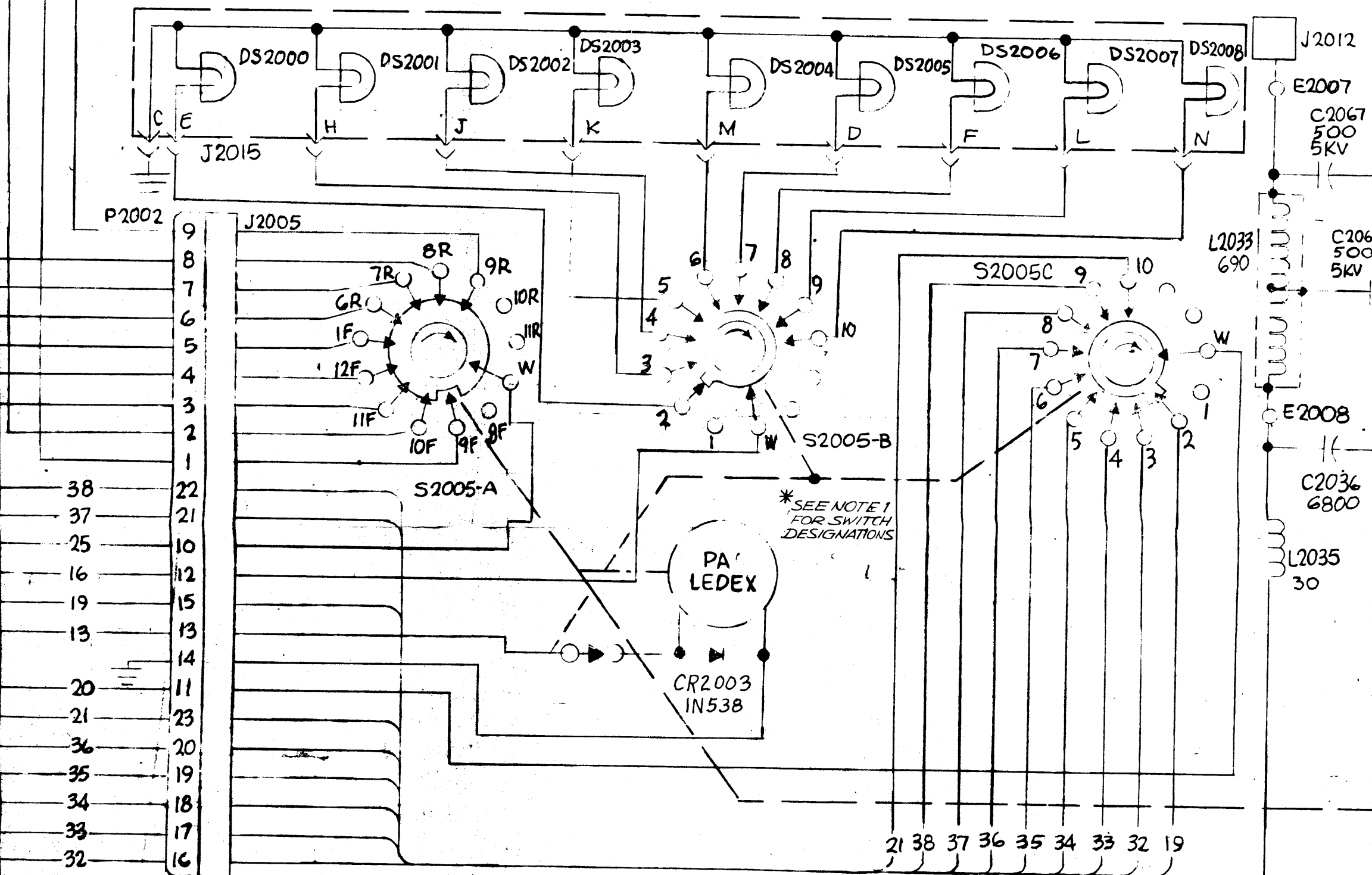
2 1 3 5 4 7 6 8 9

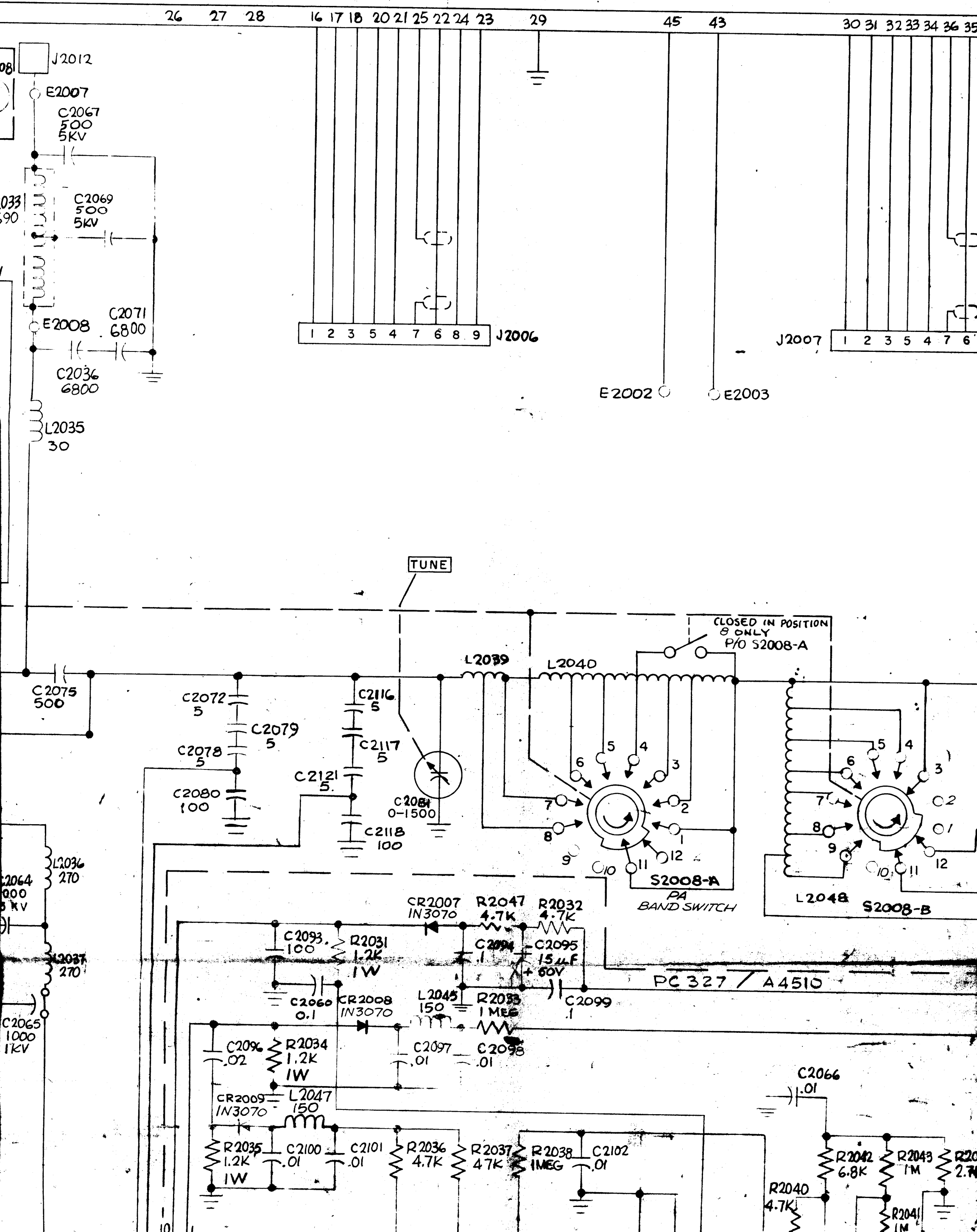


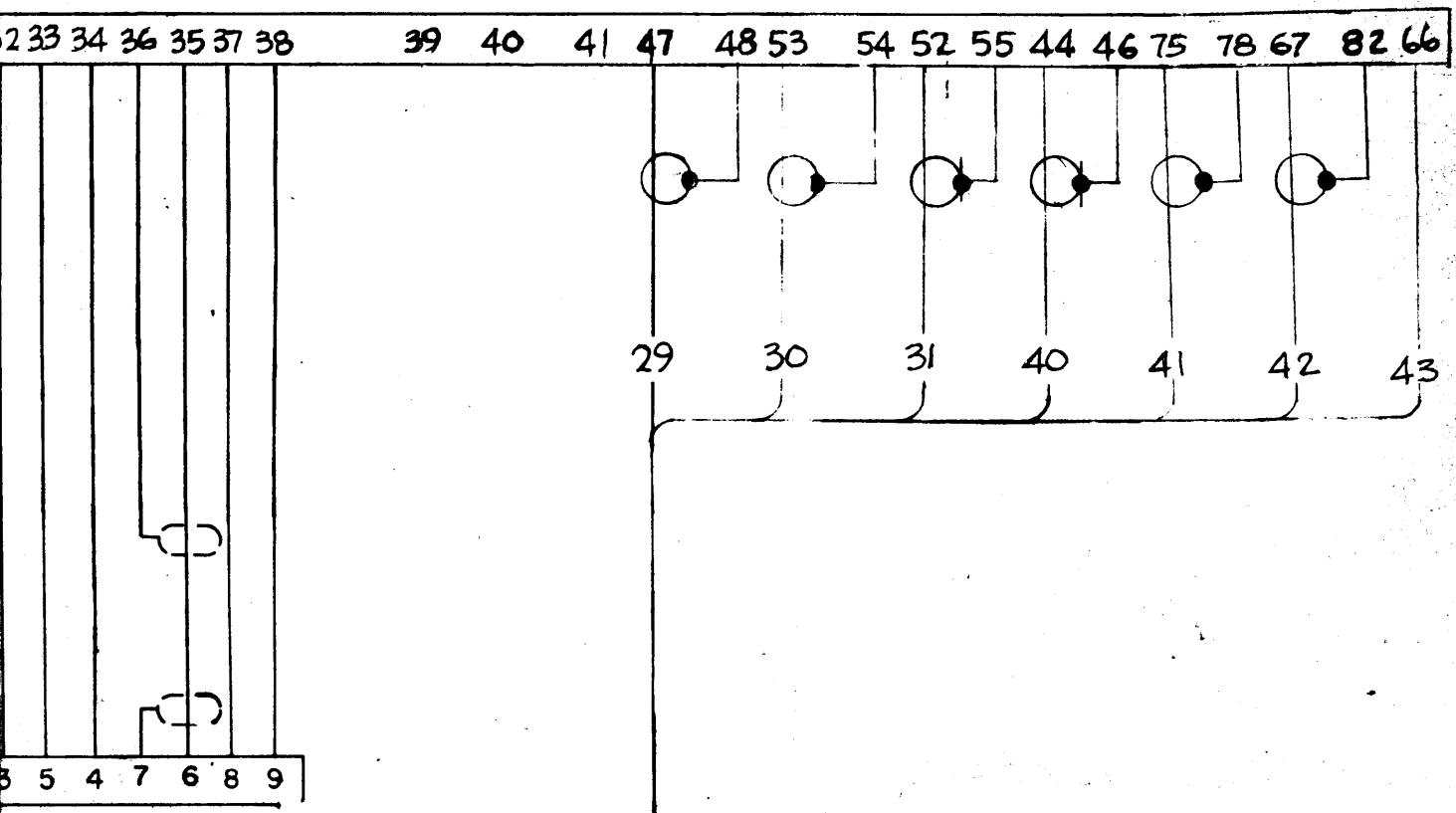
- 38
- 37
- 25
- 16
- 19
- 13
- 20
- 21
- 36
- 35
- 34
- 33
- 32



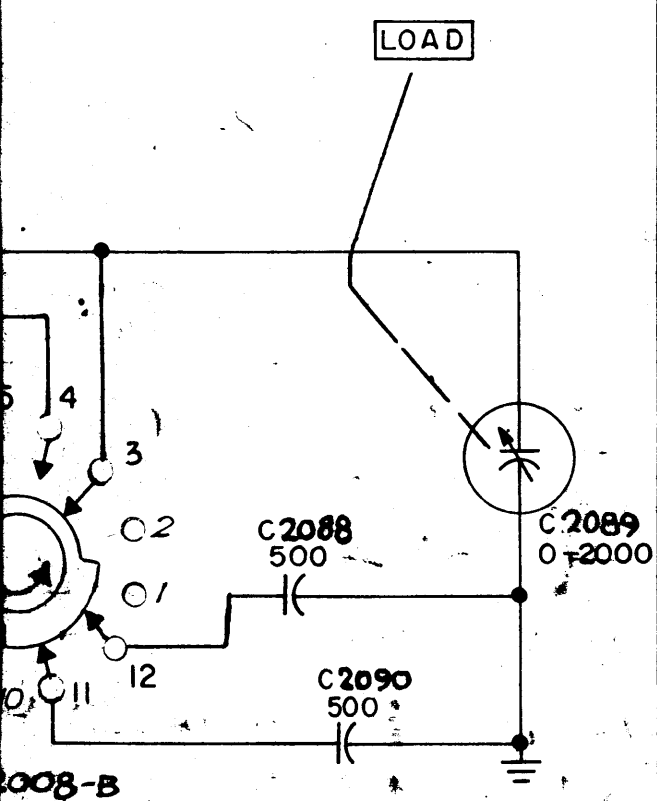
2ND AMPL. BAND SWITCH





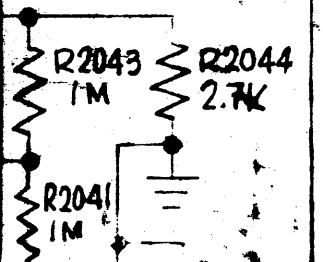
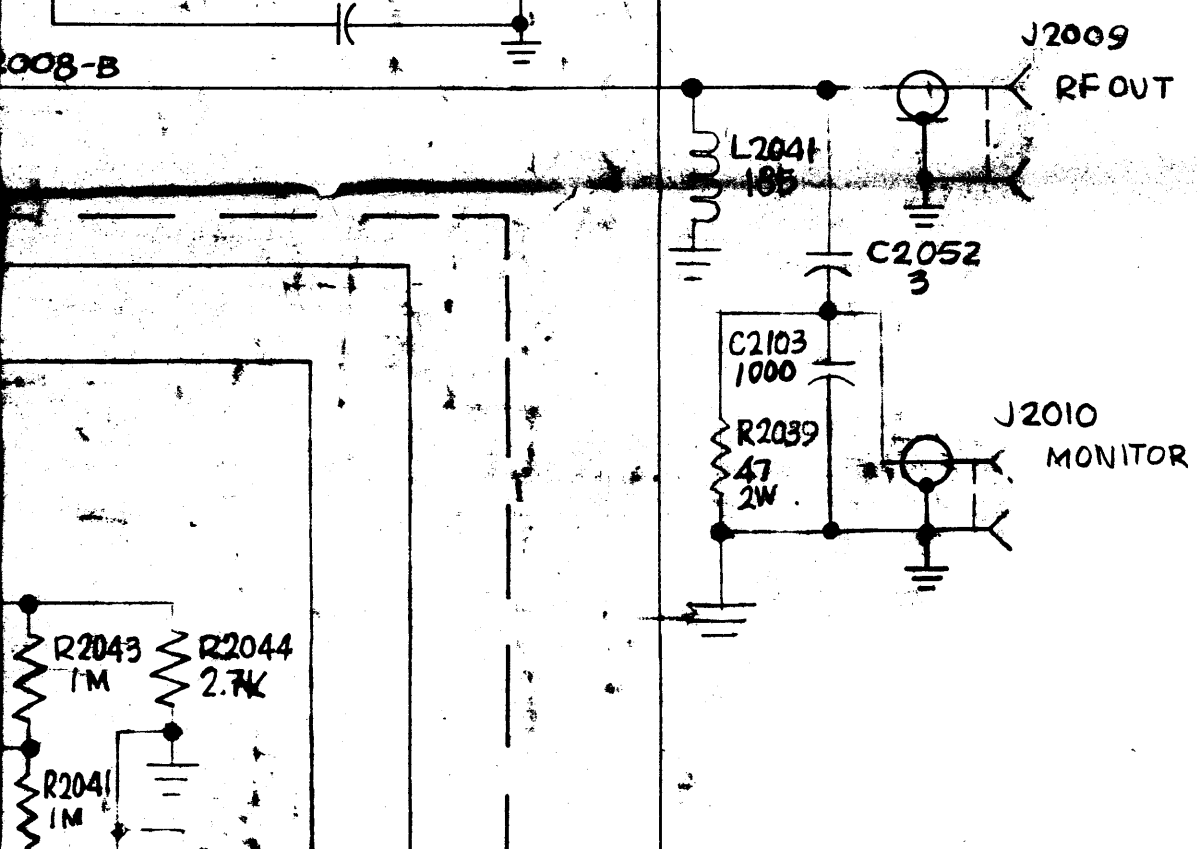


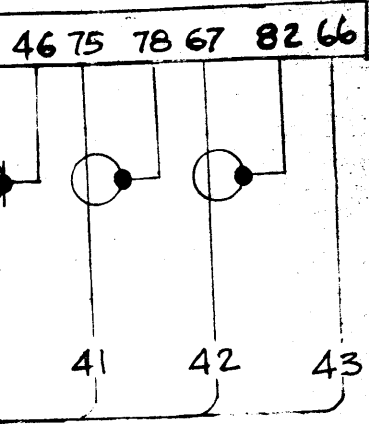
ZONE	LTR	
	∅	



PA BAND SWITCH S2008

BAND MHz	ROTOR POSITION	
	S2008-A	S2008-B
2.0-2.5	11, 12	11, 12
2.5-3.0	11, 12, 1	12
3.0-5.0	12, 1, 2	3
5.0-7.0	1, 2, 3	3, 4
7.0-11.0	2, 3, 4	3, 4, 5
11.0-15.0	3, 4, 5	4, 5, 6
15.0-19.0	4, 5, 6	5, 6, 7
19.0-24.0	5, 6, 7	6, 7, 8
24.0-30.0	6, 7, 8	7, 8, 9



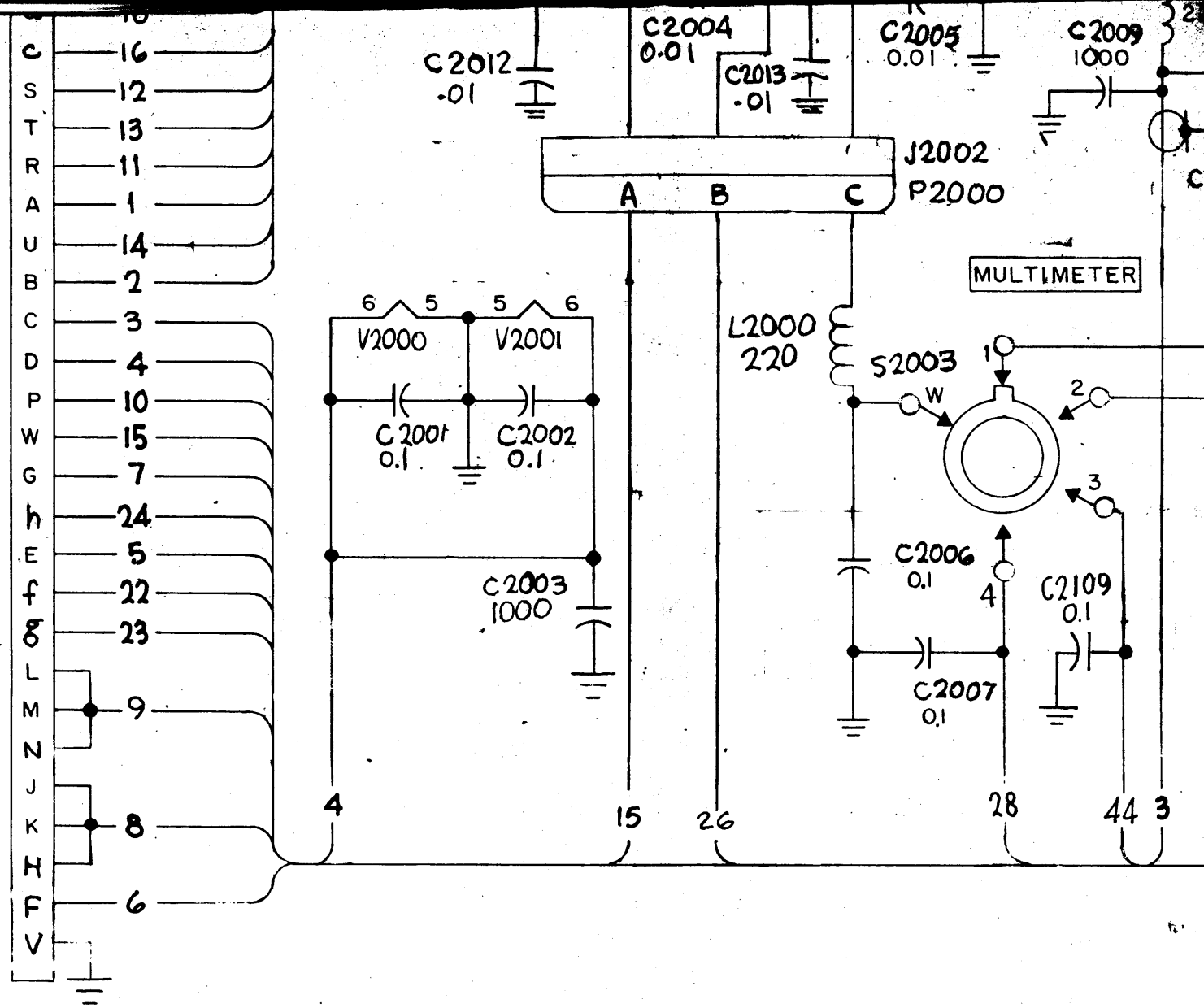


REVISIONS						
ZONE	LTR	DESCRIPTION	DATE	E.M.N.NO	DRAFT	CHKD APPD
	Ø		11/1/72		Ch	

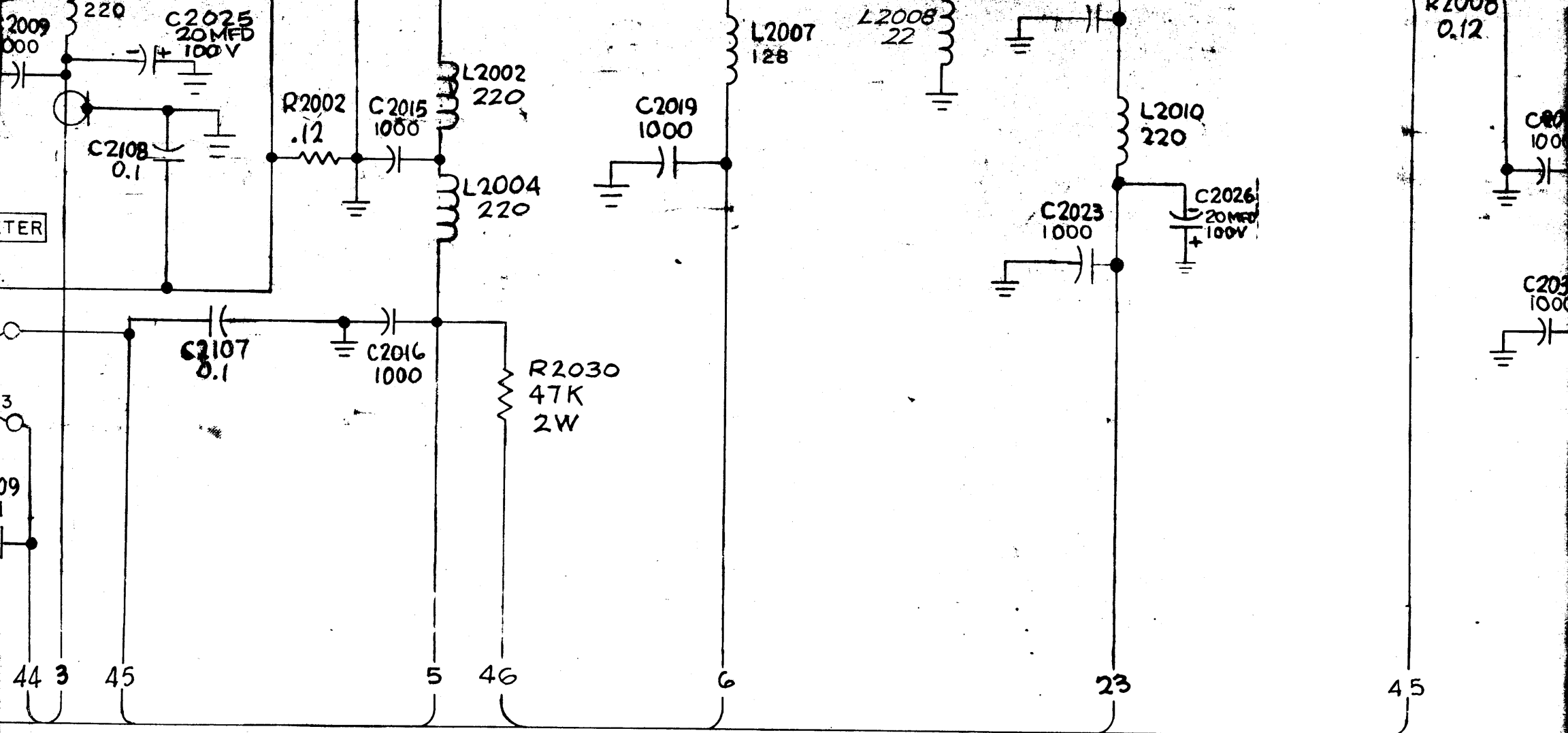
SWITCH S2008	
DR POSITION	
B-A	S2008-E
	11, 12
1	12
2	3
3	3, 4
4	3, 4, 5
5	4, 5, 6
6	5, 6, 7
7	6, 7, 8
8	7, 8, 9

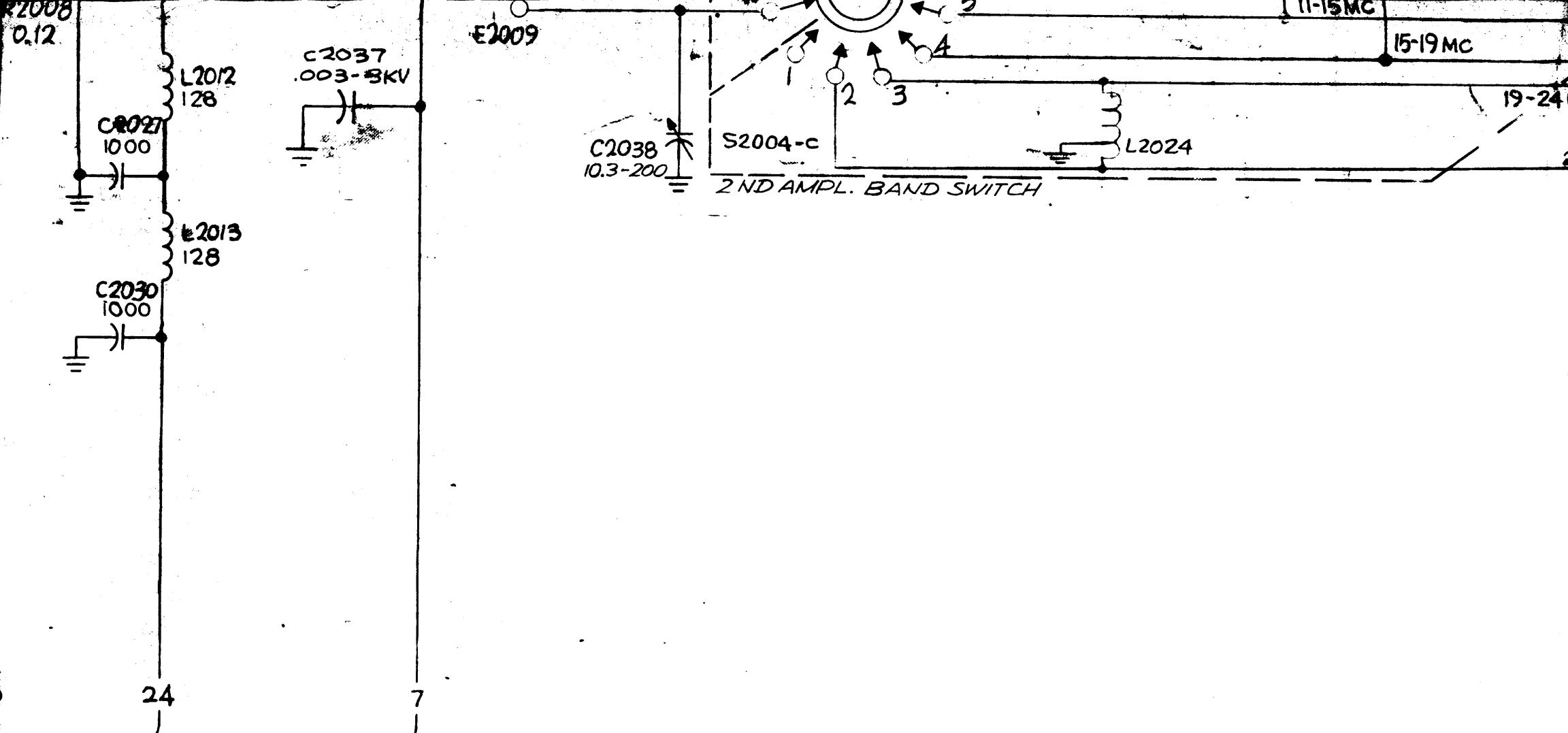
2009
RF OUT

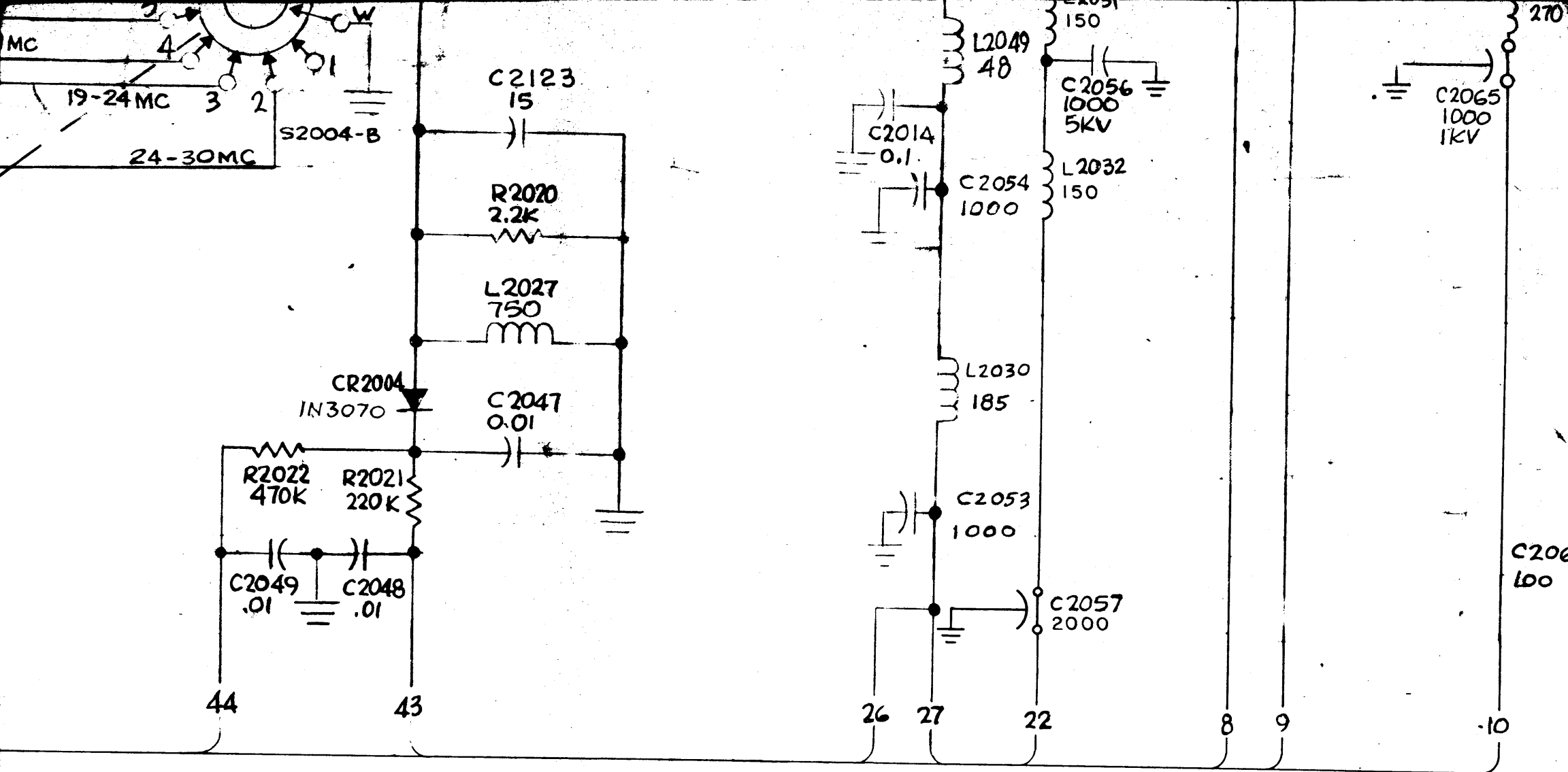
010
MONITOR

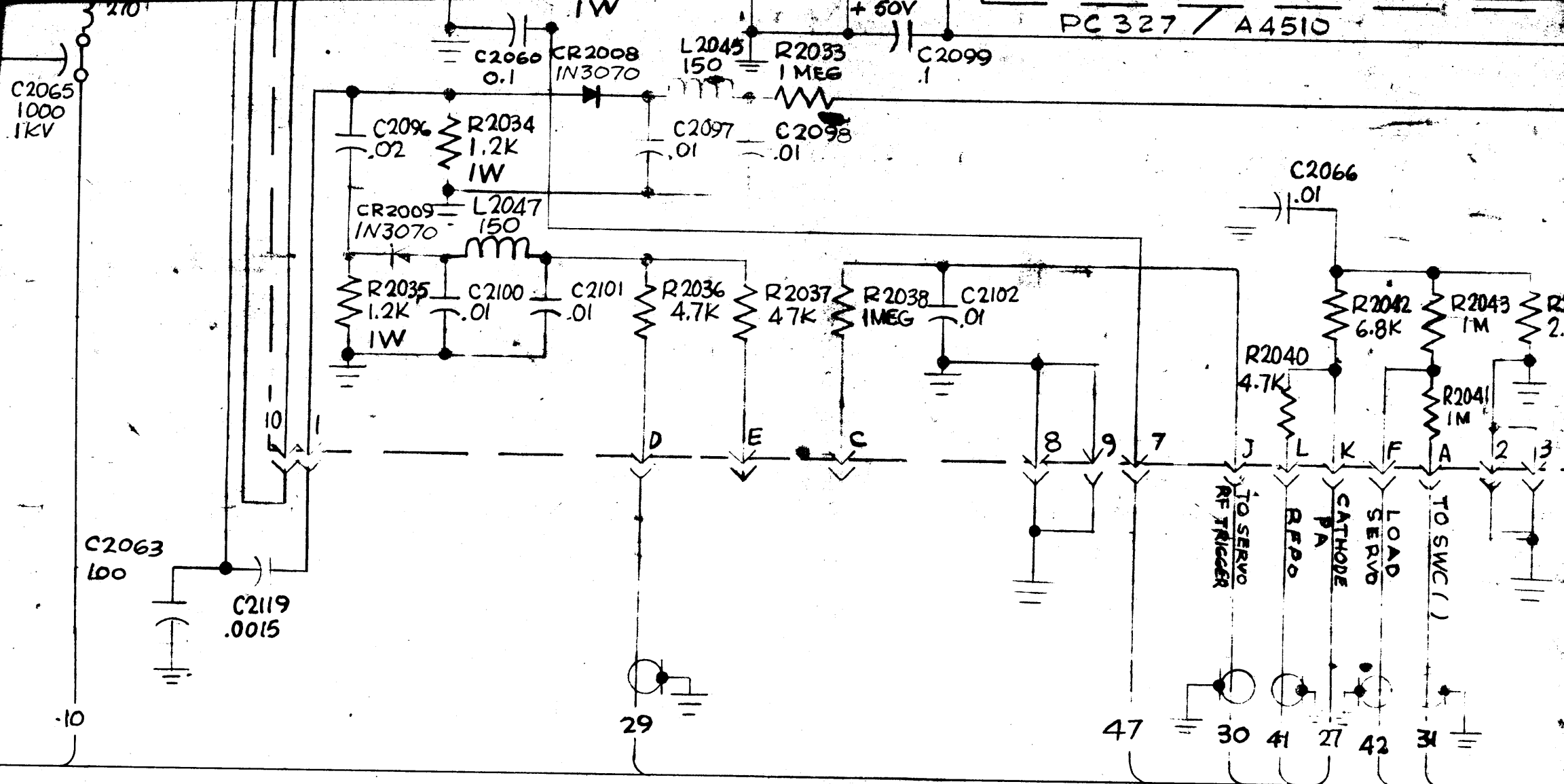


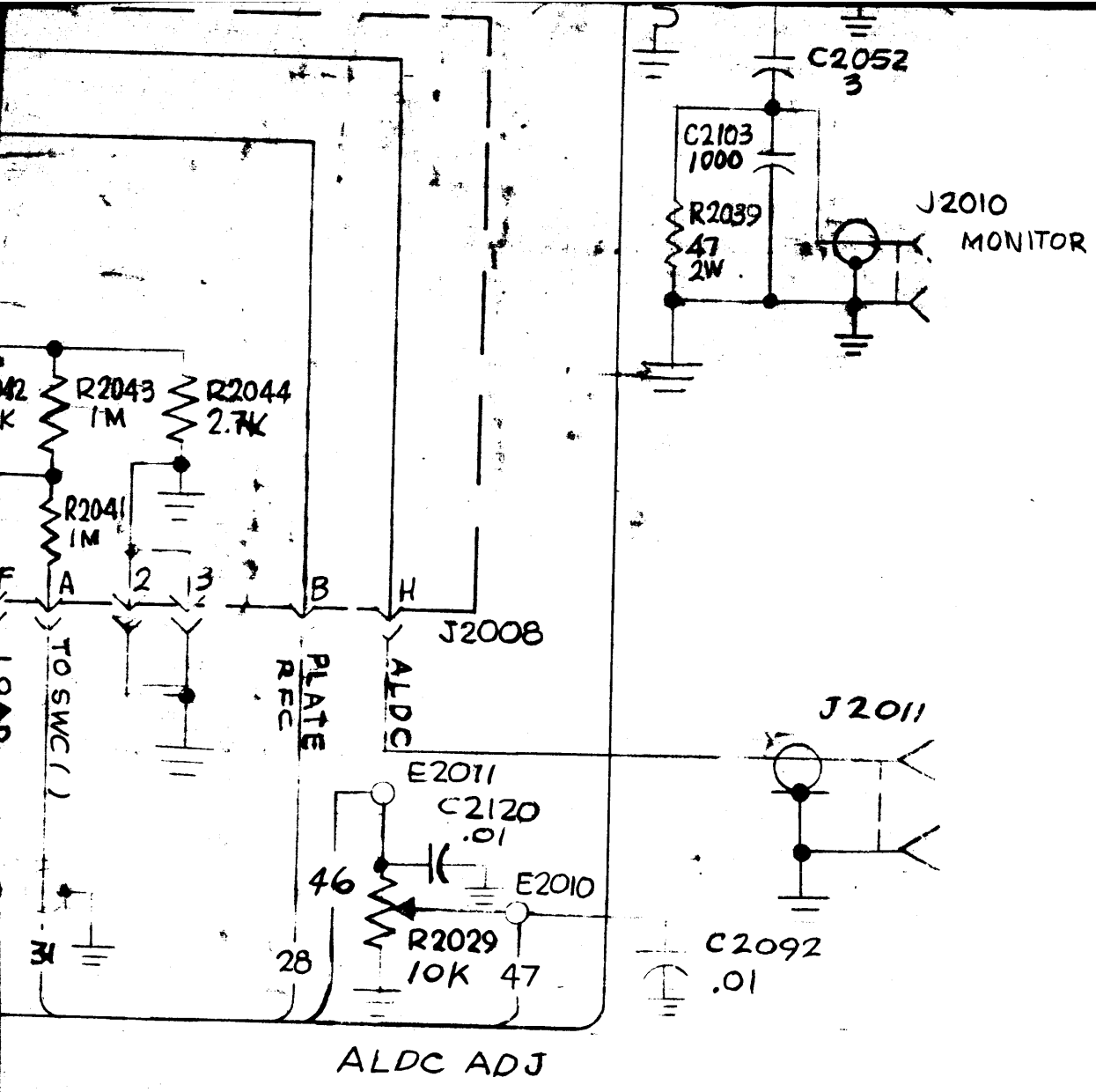
J2001











QTY. REQ.	ITEM	PART NO.
	FINAL APPROVAL	DATE
	<i>[Signature]</i>	11/22/72
	MECH. DES.	DATE
	ELECT. DES.	DATE
	CHECKED	DATE
	DRAWN	DATE
	<i>[Signature]</i>	11/21/72
MODEL T.I. AC-2.5K		

QTY. REQ.	ITEM	PART NO.	DESCRIPTION	SYMBOL
LIST OF MATERIAL				
FINAL APPROVAL		DATE	THE TECHNICAL MATERIEL CORP. MAMARONECK, NEW YORK TLAC-2.5K, DIAGRAM SCHEMATIC FIGURE 7-2	
<i>[Signature]</i>		11/22/72		
MECH. DES.		DATE		
ELECT. DES.		DATE		
CHECKED		DATE		
DRAWN		DATE		
<i>[Signature]</i>		11/22/72		
MODEL TLAC-2.5K				

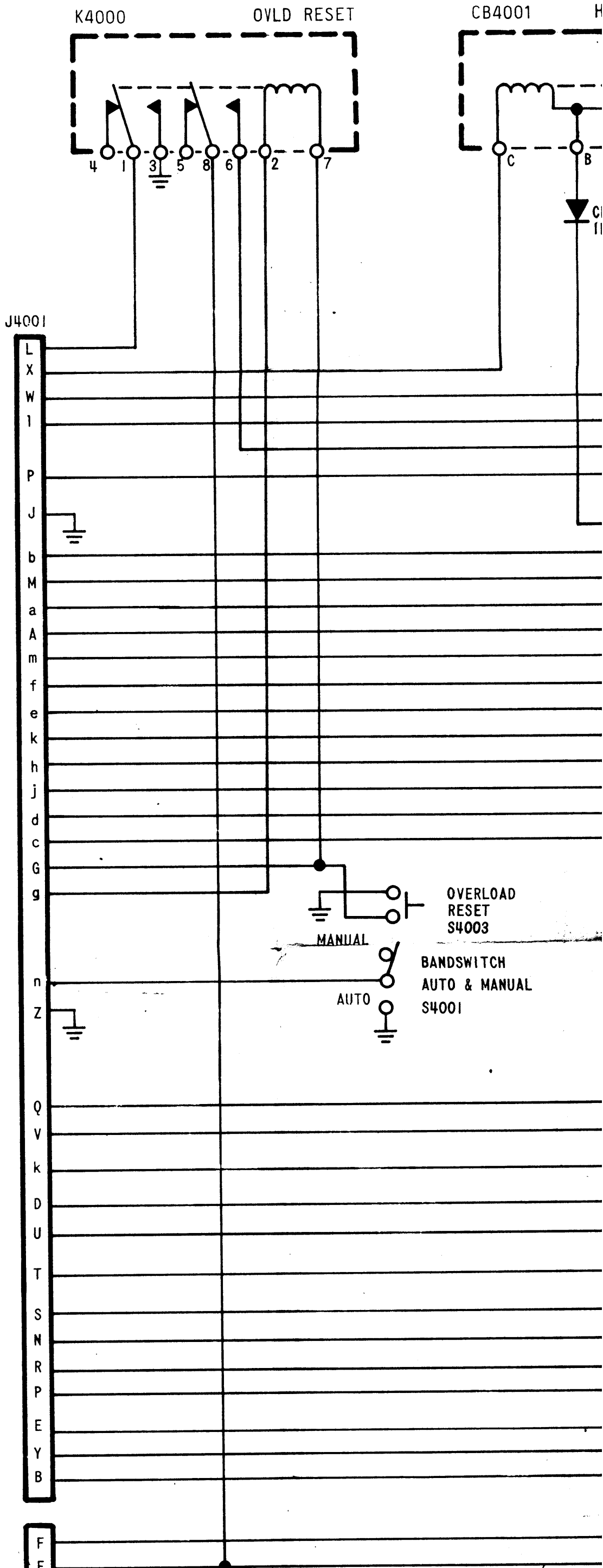
D

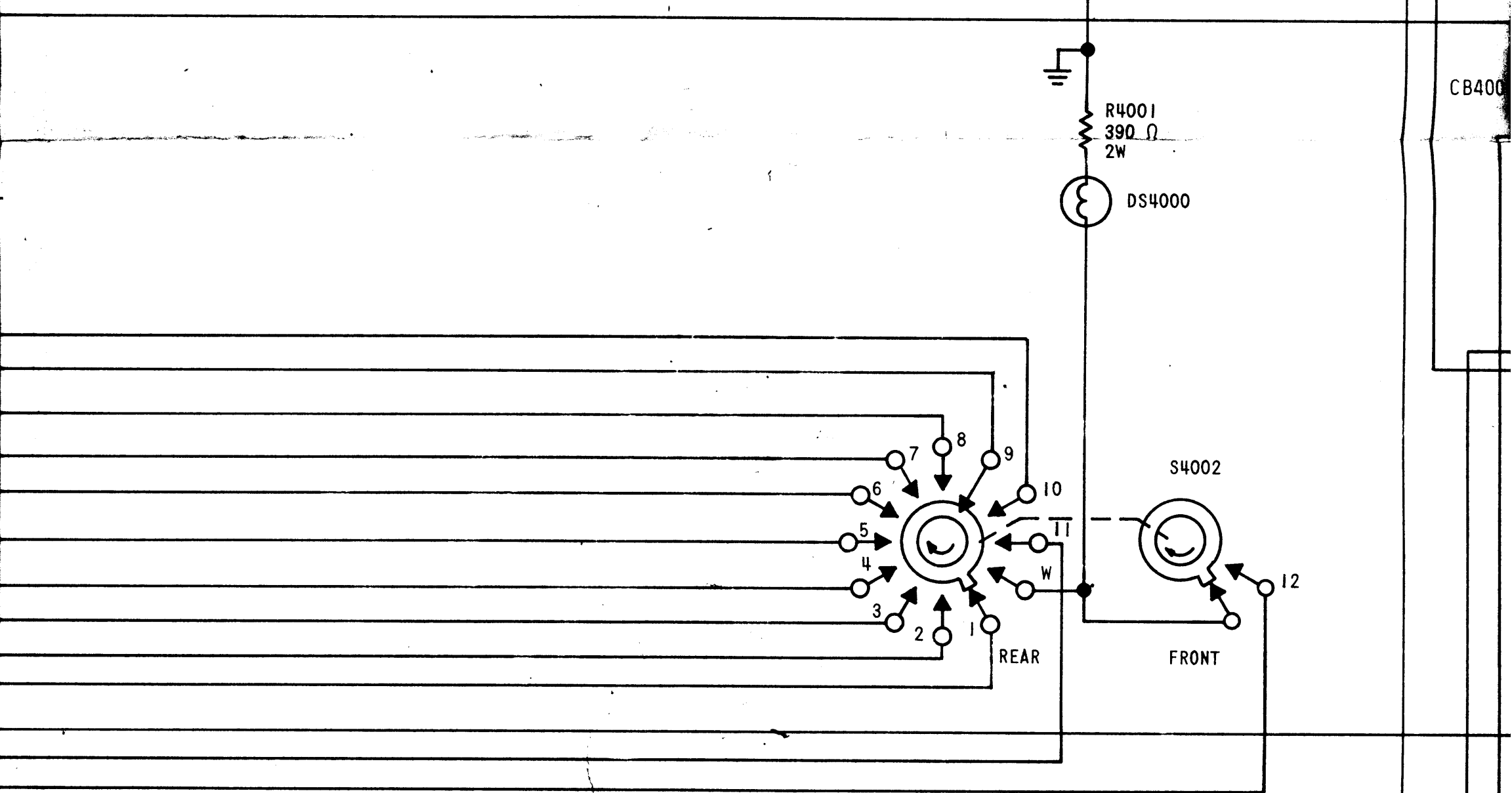
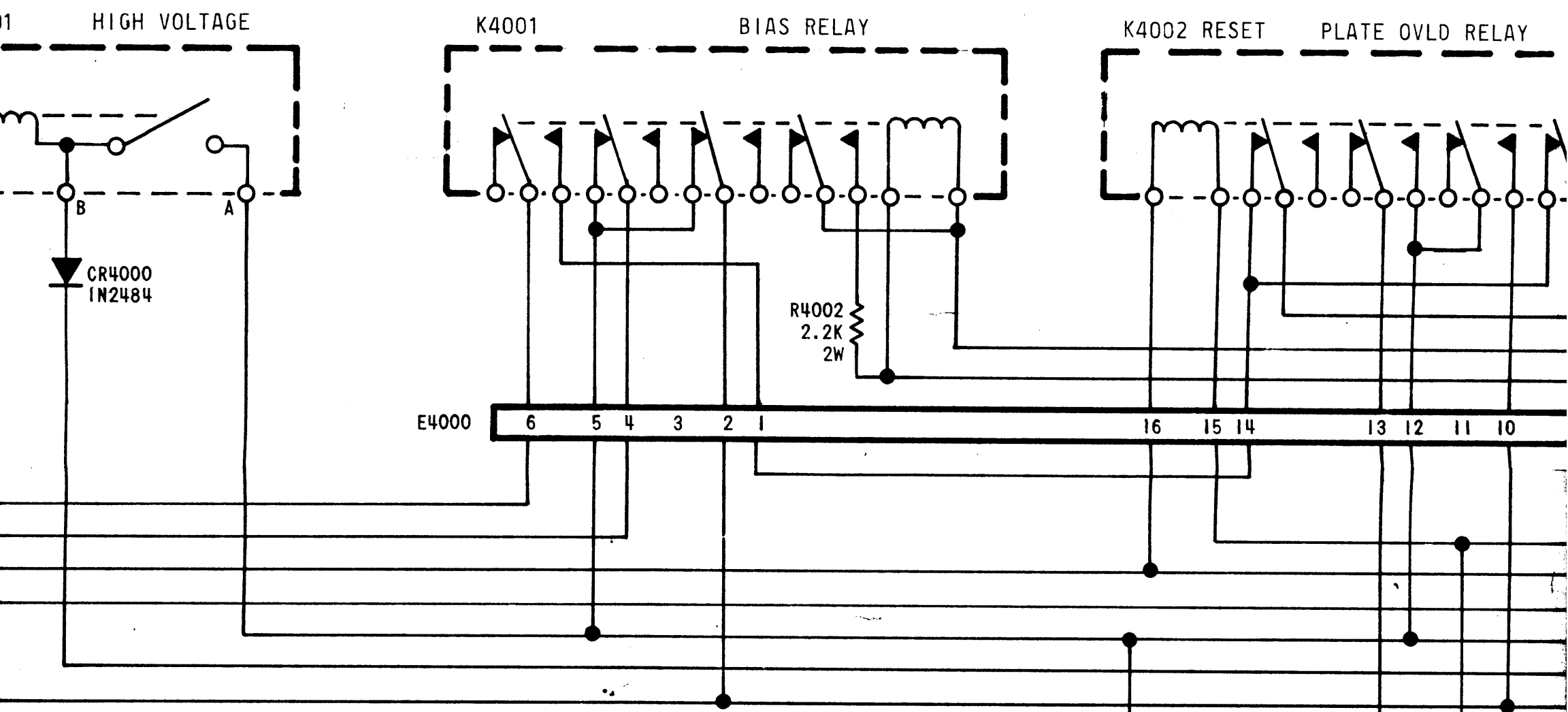
C

B

S4002 INTERLOCK SWITCH	
POSITION	FUNCTION
1	PS COVERS
2	PA COVERS
3	AIR SWITCH
4	EXTERNAL
5	PS GRILLE
6	PS DRAWER
7	FILTER DRAWER
8	PA DRAWER
9	REAR PANEL
10	LEFT PANEL
11	RIGHT PANEL
12	TIMER

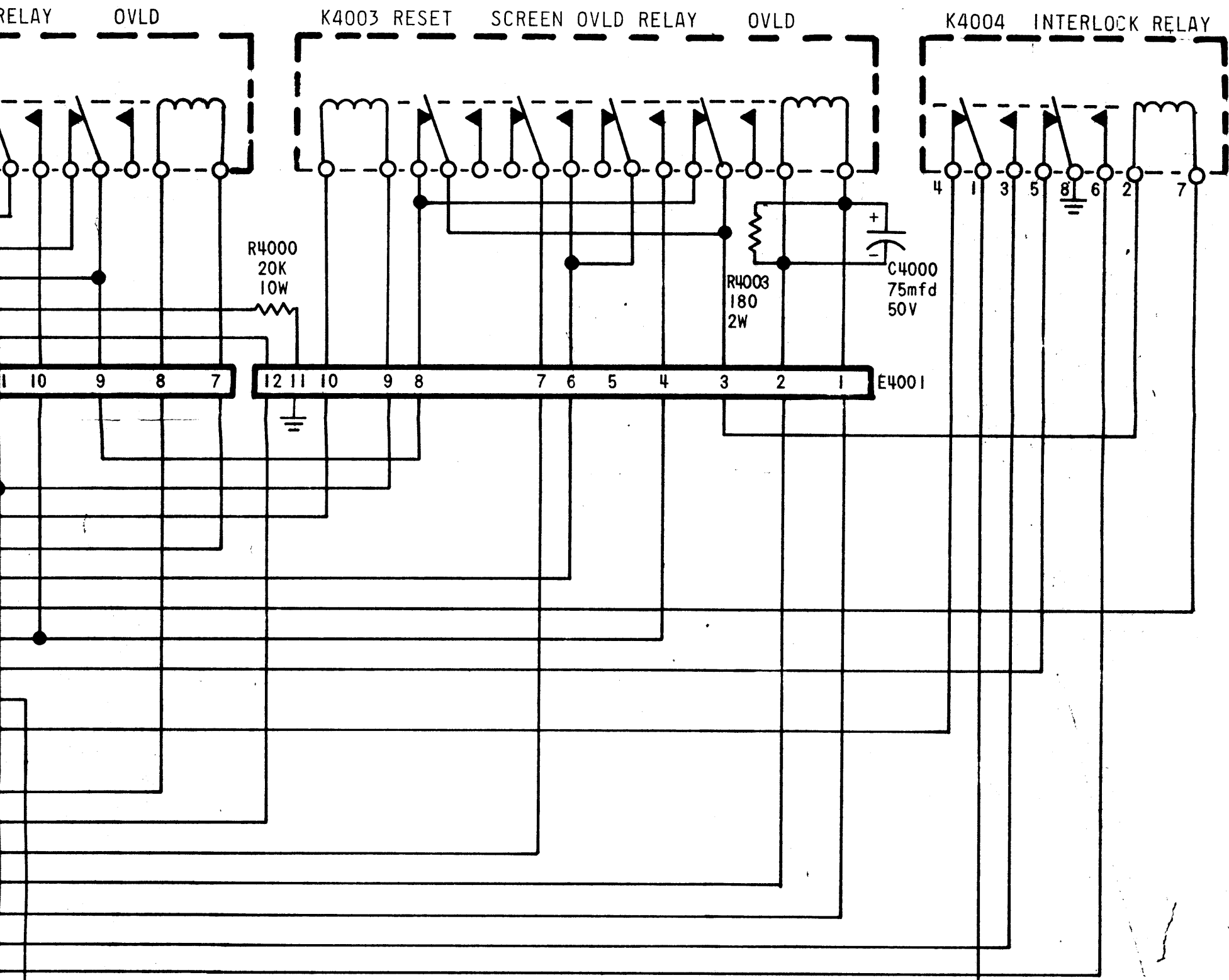
LAST SYMBOL	MISSING SYMBOLS
C4000	
CB4001	
CR4000	
DS4000	
E4001	
J4001	
K4004	
R4003	
S4003	S4000



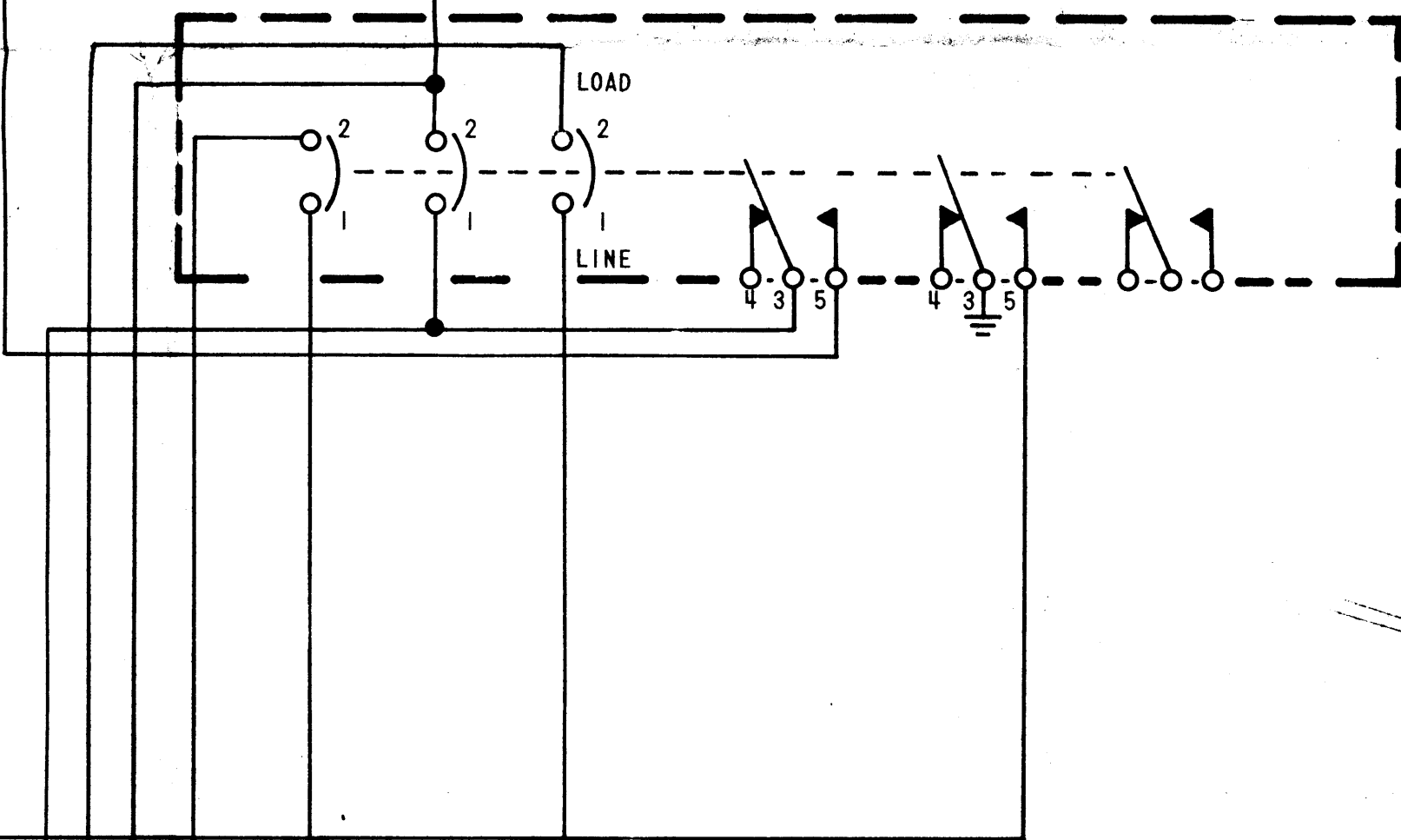


CB400

					REVISIONS		
E.M.N.NO	DRAFT	CHKD	ZONE	LTR	DESCRIPTION	DATE	APPROVED
	GE			X	EXP RELEASE	5/9/70	
	W			Ø	ORIGINAL RELEASE FOR PRODUCTION	5/20/70	



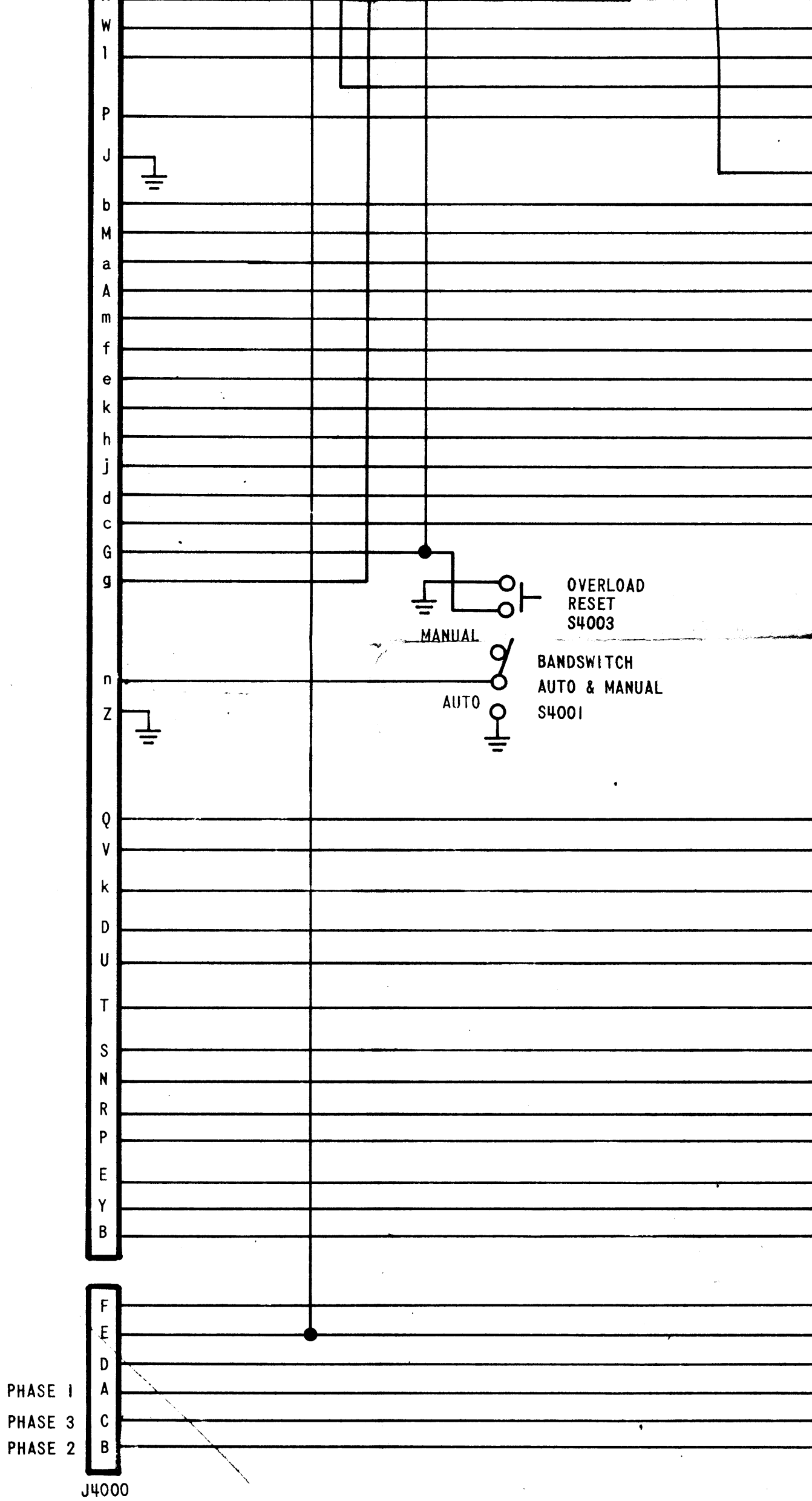
CB4000 MAIN POWER

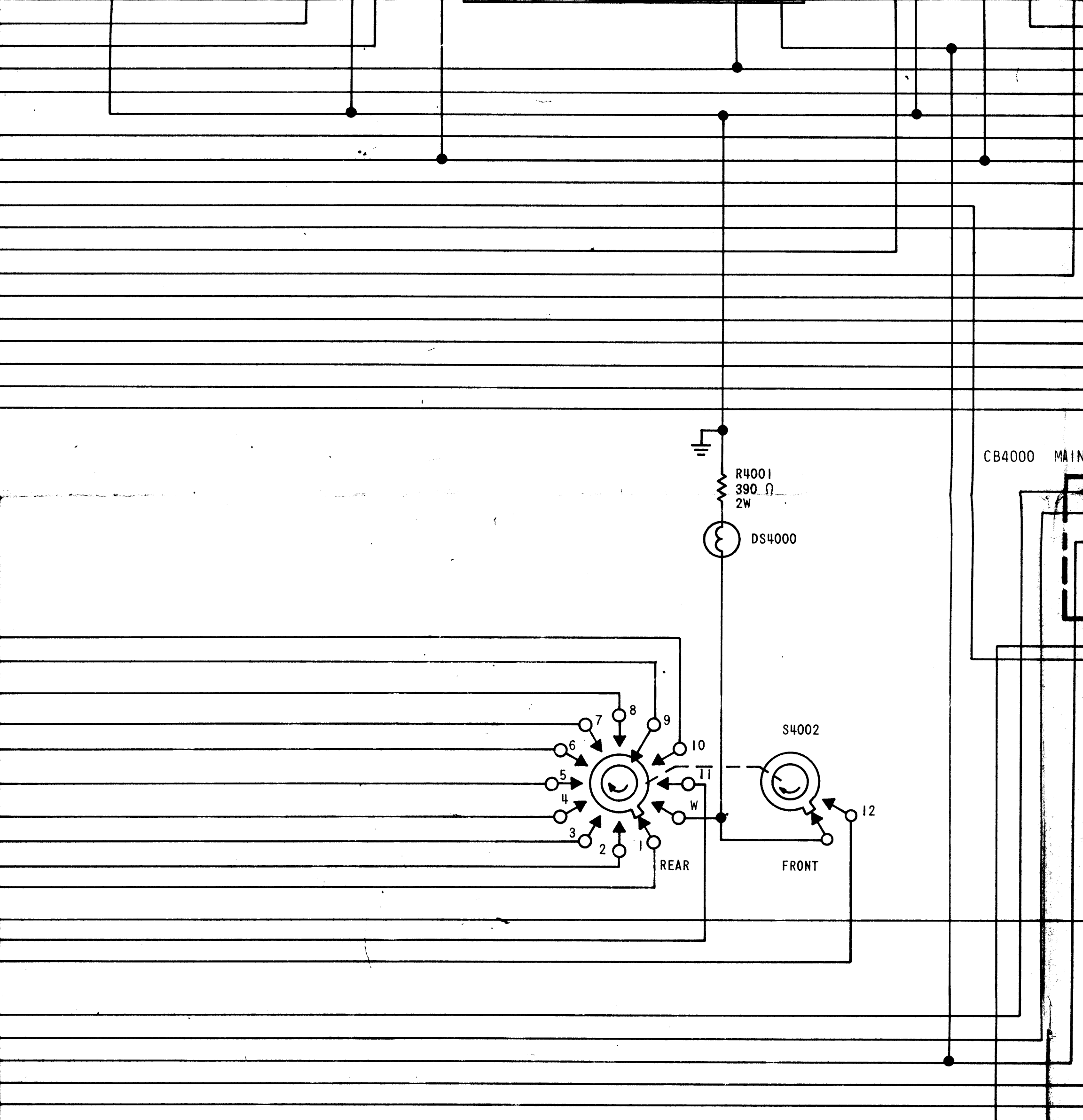


D
C
B

S4002 INTERLOCK SWITCH	
POSITION	FUNCTION
1	PS COVERS
2	PA COVERS
3	AIR SWITCH
4	EXTERNAL
5	PS GRILLE
6	PS DRAWER
7	FILTER DRAWER
8	PA DRAWER
9	REAR PANEL
10	LEFT PANEL
11	RIGHT PANEL
12	TIMER

LAST SYMBOL	MISSING SYMBOLS
C4000	
CB4001	
CR4000	
DS4000	
E4001	
J4001	
K4004	
R4003	
S4003	S4000





CB4000 MAIN

	TCP-3A	
QTY / UNIT	MODEL USED ON	ASS'Y NO.
APPLICATION		
	CODE	

NOTICE TO PERSONS RECEIVING THIS DRAWING
 THE TECHNICAL MATERIEL CORPORATION claims proprietary right in the material disclosed hereon. This drawing is issued in confidence for engineering information only and may not be reproduced or used to manufacture anything shown hereon without permission from THE TECHNICAL MATERIEL CORPORATION to the user. This drawing is loaned for mutual assistance and is subject to recall at any time.

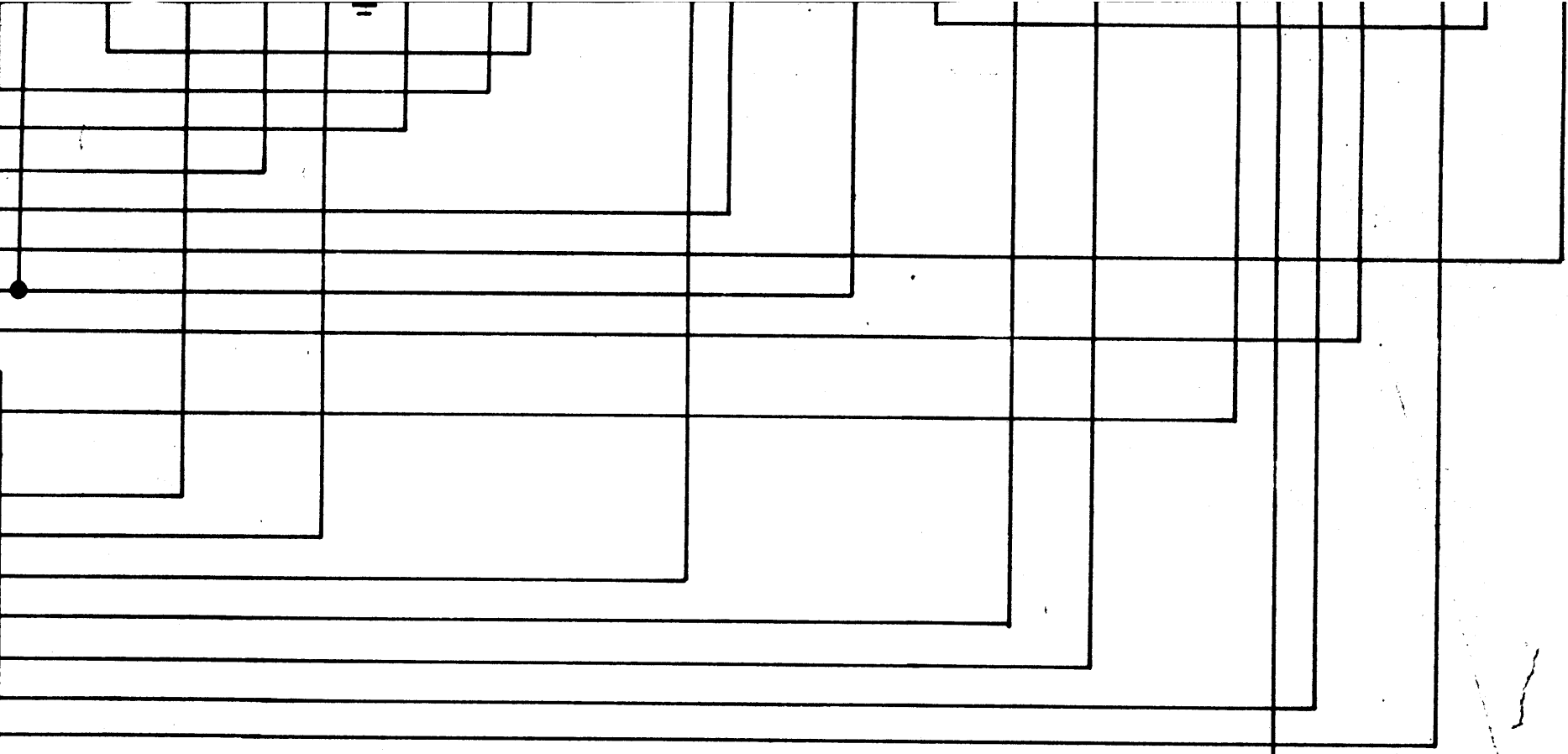
UNLESS
 DIMENSIONS
 AND TOLERANCES
 ARE SPECIFIED
 OR
 OTHERWISE
 INDICATED
 ALL DIMENSIONS
 SHALL BE IN
 DECIMAL
 INCHES
 UNLESS
 OTHERWISE
 SPECIFIED
 X ± .01
 XX ± .005
 MATERIAL
 FINISH

5



4

3

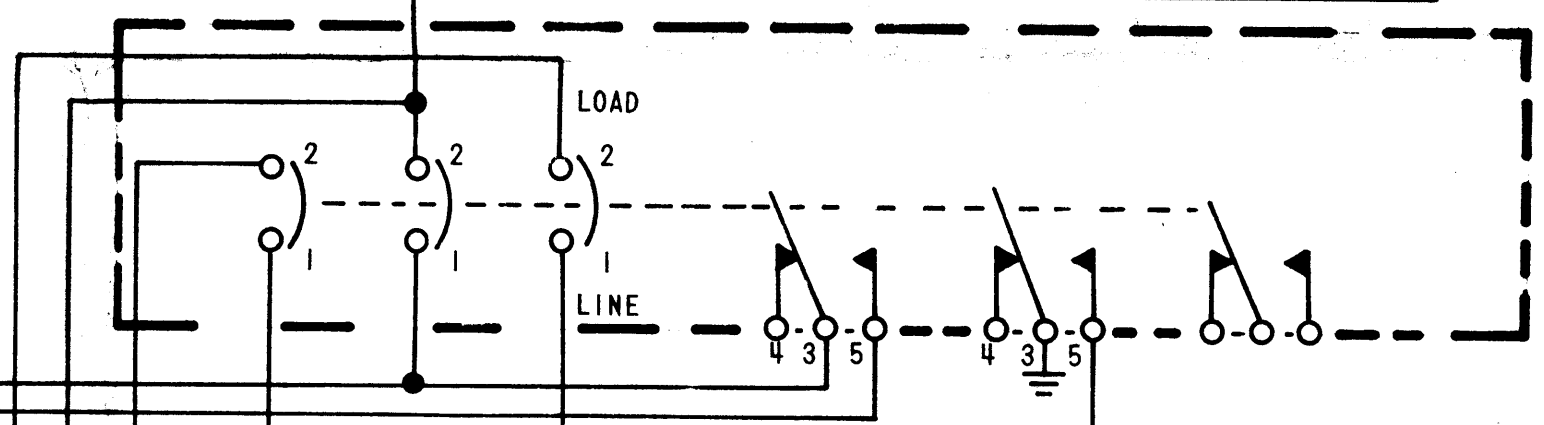


C

B

A

CB4000 MAIN POWER



QTY. REQ.	ITEM	PART NO.	DESCRIPTION	SYMBOL
LIST OF MATERIAL				
UNLESS OTHERWISE SPECIFIED DIMENSIONS ARE IN INCHES AND INCLUDE CHEMICALLY APPLIED OR PLATED FINISHES		FINAL APPROVAL <i>[Signature]</i>	DATE 5-25-70	THE TECHNICAL MATERIEL CORP. MAMARONECK, NEW YORK
TOLERANCES ON		MECH. DES.	DATE	
DECIMALS	FRACTIONS	ELECT. DES. <i>[Signature]</i>	DATE 5-25-70	TCP, SCHEMATIC DIAGRAM FIGURE 7-1
.X ± .05	± 1/64	CHECKED	DATE	
.XX ± .01	ANGLES ± 0° -30'	DRAWN <i>[Signature]</i>	DATE 5/27/70	
.XXX ± .005				
MATERIAL				
FINISH				

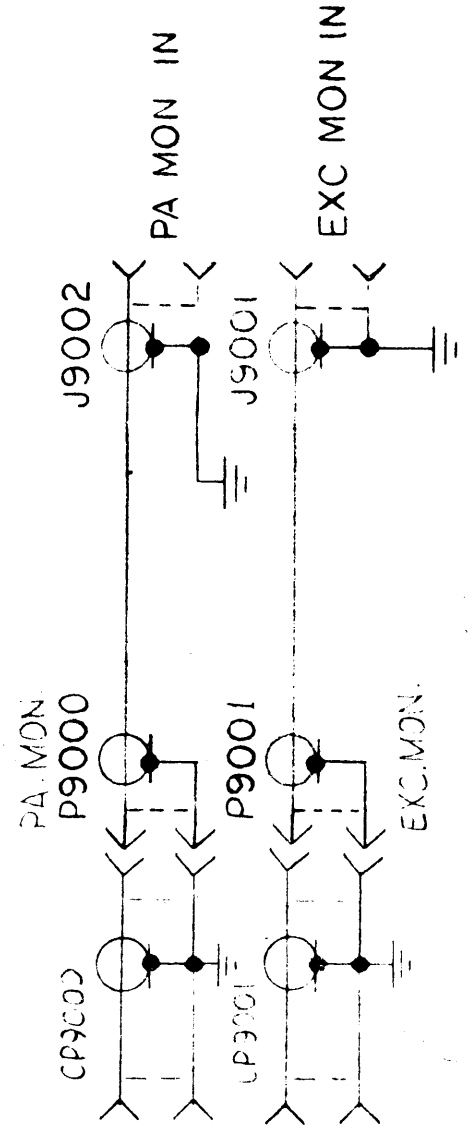
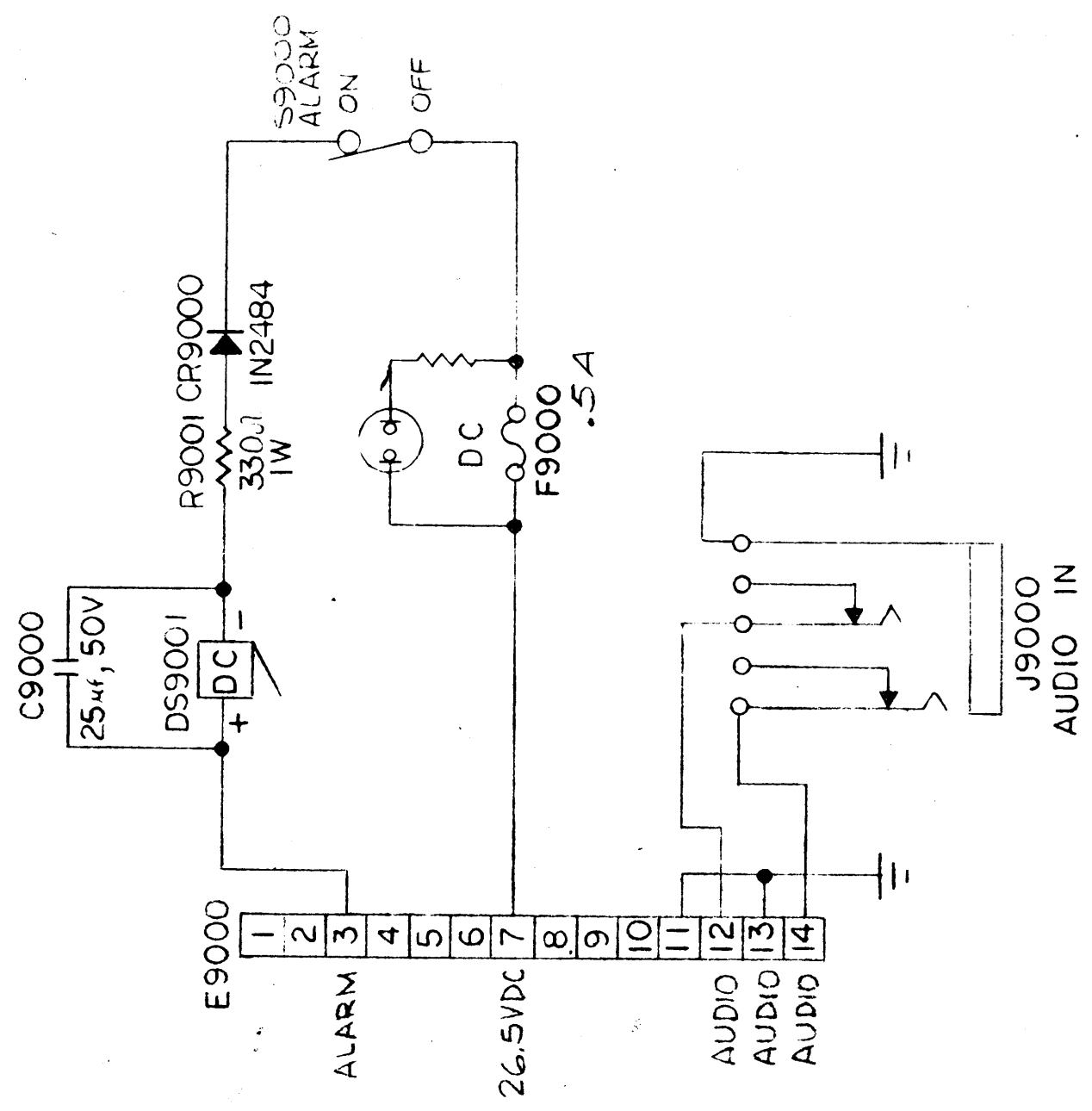
3

2

1

REVISIONS						
SYM	DESCRIPTION	DATE	E.M.N. NO.	DRAFT	CHKD	APPD
X	EXP. RELEASE	9-3-64	X	JBC	JBC	
X1	P9000, P9001 WERE J9003, J9004, CP9000, LP9001, ADDED	10-7-64	X1			
X2	DC 9000 & R9000 DELETED FROM J9003	1-17-65	X2			
X3	CSL ADDED ON J9001 & J9002	2-11-65	X3			
X4						
A	.5A TO F9000 ADDED	9/27/66		KH	De	FB

CK1208



QTY./UNIT	SCALE	MODEL USED ON	CODE	AX647

THE CONTENTS OF THIS DRAWING ARE THE EXCLUSIVE PROPERTY OF THE TECHNICAL MATERIEL CORP. ITS REPRODUCTION OR USE OR REPRODUCTION IN WHOLE OR IN PART IS STRICTLY PROHIBITED.

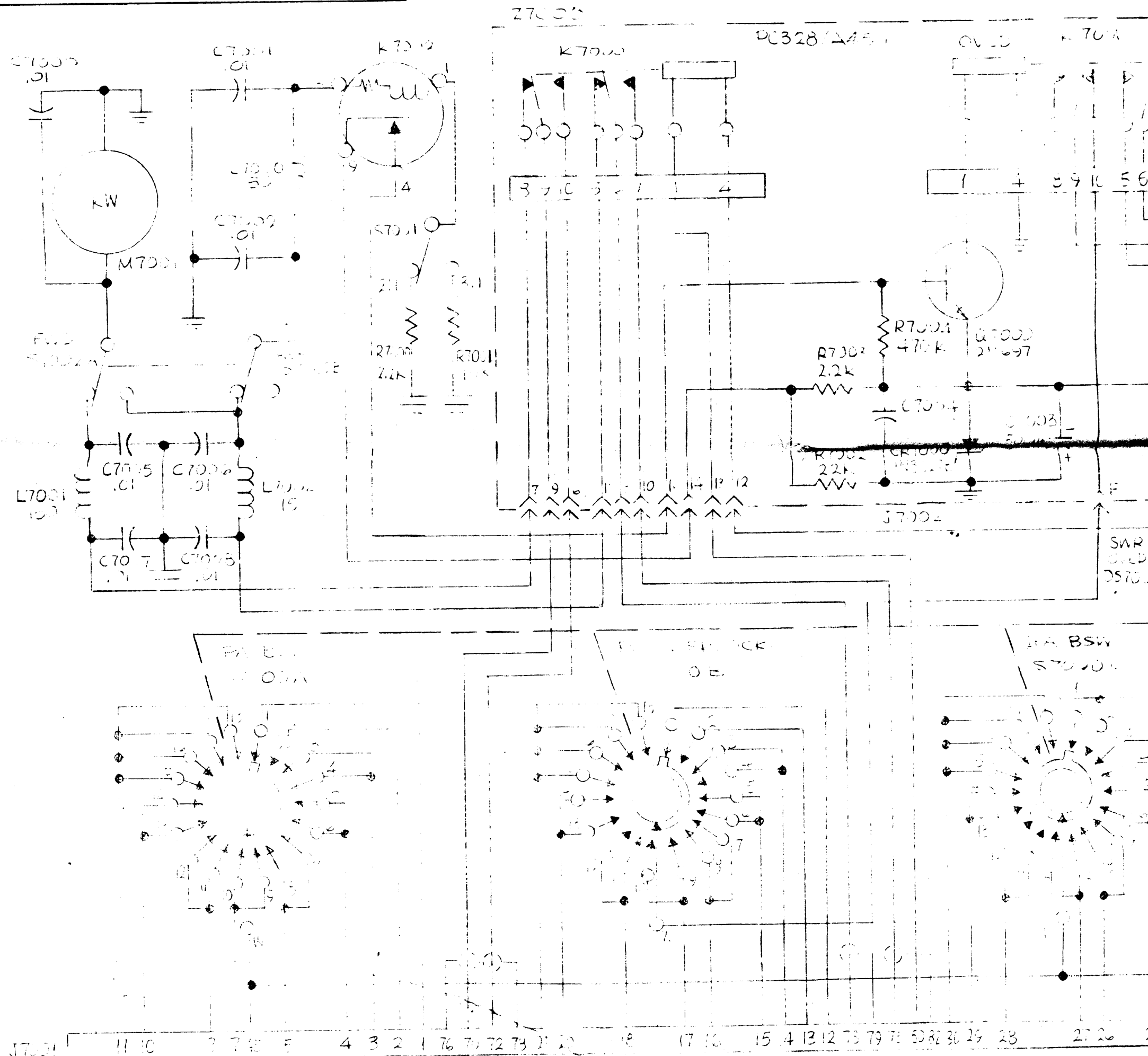
NOTES

REQ'D.	ITEM	PART NUMBER	DESCRIPTION	SYMBOL
F. BUDETTI				
LIST OF MATERIAL				
THE TECHNICAL MATERIEL CORP. MAMARONECK, NEW YORK				
FINISH				
UNLESS OTHERWISE SPECIFIED DIMENSIONS ARE IN INCHES AND INCLUDE CHEMICALLY APPLIED OR PLATED FINISHES				
DECIMALS				
TOLERANCES				
FRACTIONS				
± .08				
± .01				
± .005				
± 1/64				
ANGLES				
± .005				

AX647 DIAGRAM SCHEAMTIC

FIGURE 7-3

MN JBC

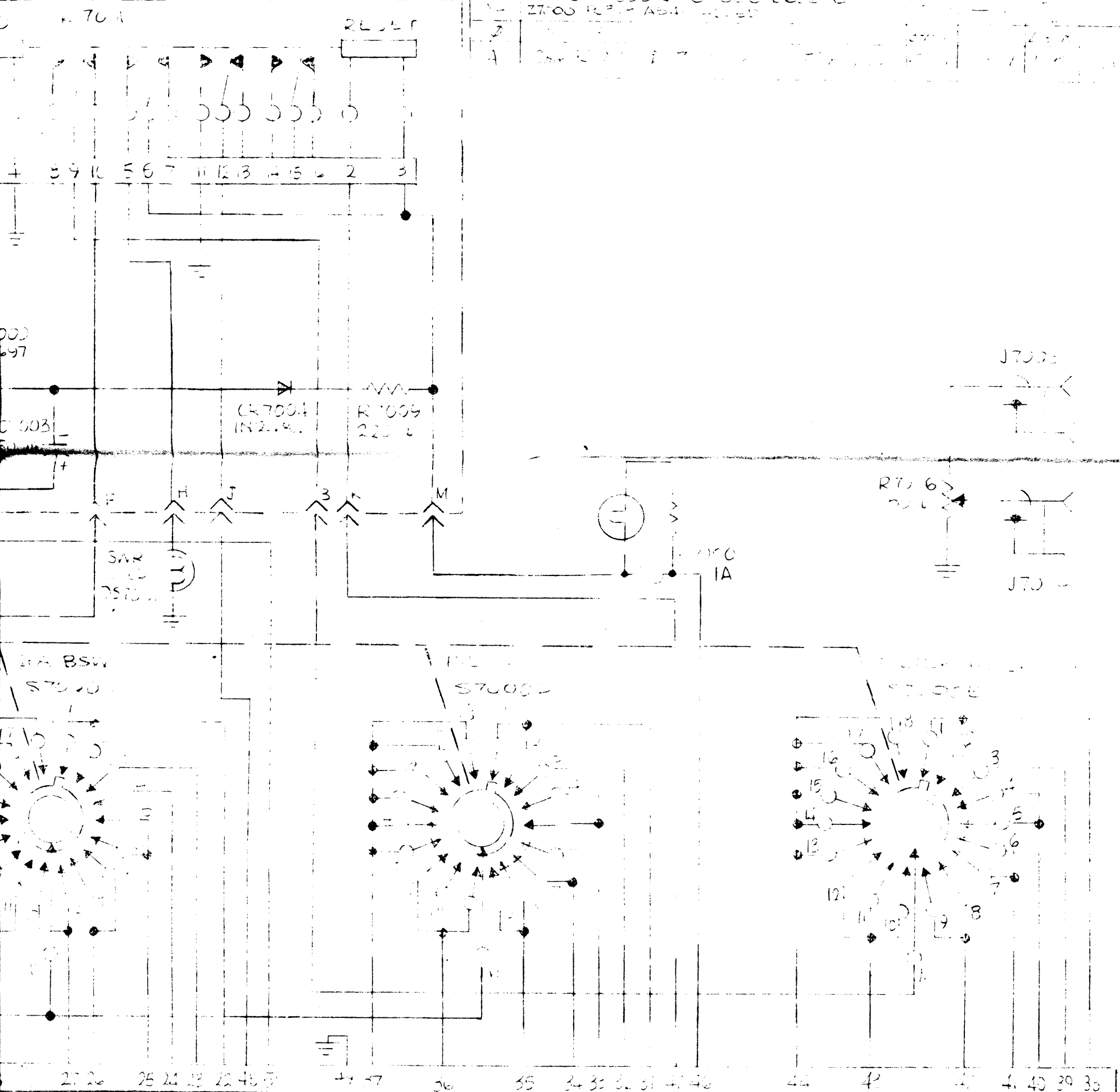


- C7000
- L7000
- F7000
- J7004
- R7002
- C7002
- M7000
- R7000, R7001, R7002, R7003, R7004, R7005
- S7002
- Q7000
- CR7001, CR7002, CR7003
- Z7000

UNLESS OTHER DIMENSIONS TOLERANCE FRACTIONS DE $\pm 1/64$ MATERIAL FINISH

MAXIMUM ALLOWABLE TOLERANCES HAVE BEEN DETERMINED AND ANY DEVIATIONS WILL BE CAUSE FOR REJECTION.

REVISIONS					
SYM	DESCRIPTION	DATE	E.M.N. NO.	DRAFT	CHKD APPD
X	REVISED DRAWING				
X	AS DO STOPS & CONTACTS DELIVER				
X	2700 PART AB4				
X					
X					



QTY REQ	ITEM	PART NO.	DESCRIPTION	SYMBOL
BILL OF MATERIAL				
UNLESS OTHERWISE SPECIFIED DIMENSIONS ARE IN INCHES TOLERANCES ON FRACTIONS DECIMALS ANGLES ±1/64 ±.005 ±1/2°		FINAL APPROVAL	DATE	THE TECHNICAL MATERIEL CORP. MAMARONECK, NEW YORK SWCB-3K, DIAGRAM SCHEMATIC FIGURE 7-6
MATERIAL		MECH. DES.	DATE	
FINISH		ELECT. DES.	DATE	
		CHECKED	DATE	
		DRAWN	DATE	
		APPROVED FOR		
		CONTRACT NO.		