

★

TECHNICAL MANUAL
for

GENERAL PURPOSE TRANSMITTER

MODEL GPTA-2.5JF

MASTER COPY
DO NOT DESTROY



THE TECHNICAL MATERIEL CORPORATION

MAMARONECK, N.Y.

OTTAWA, ONTARIO

NOTICE

THE CONTENTS AND INFORMATION CONTAINED IN THIS INSTRUCTION MANUAL IS PROPRIETARY TO THE TECHNICAL MATERIEL CORPORATION TO BE USED AS A GUIDE TO THE OPERATION AND MAINTENANCE OF THE EQUIPMENT FOR WHICH THE MANUAL IS ISSUED AND MAY NOT BE DUPLICATED EITHER IN WHOLE OR IN PART BY ANY MEANS WHATSOEVER WITHOUT THE WRITTEN CONSENT OF THE TECHNICAL MATERIEL CORPORATION.

GENERAL PURPOSE TRANSMITTER
Model GPTA-2.5JF

The GPTA-2.5JF General Purpose Transmitter is similar to the GPTA-2.5JE. The technical manual for the GPTA-2.5JE will apply as written for the GPTA-2.5JF when the following corrections, additions and deletions in this addendum are incorporated.

The basic difference between the transmitter models GPTA-2.5JE and GPTA-2.5JF is that Voice Operated PTT unit, model AX5047 is not included in the GPTA-2.5JF and at customers request, the servo amplifiers that provide technimatic transmitter tuning are not included and therefore restricts the transmitter operation to manual only.

Please note the following changes as indicated below:

1. All direct references to GPTA-2.5JE should be read as GPTA-2.5JF.
2. On Figure 1-1 disregard the unit second from the bottom (Voice Operated PTT unit). It is not included in GPTA-2.5JF.
3. Delete paragraphs 1-3i and 1-3k.
4. Delete paragraph 1-4 entirely.
5. Table 1-1, delete Voice Control PTT and squelch.
6. Disregard Figures 2-8 and 2-9. Refer to new exciter interconnect drawing attached to this addendum.
7. Table 3-1, disregard items 68 and 69.
8. Delete paragraph 4-2 and Figure 4-1.
9. Delete paragraph 5-2.
10. Disregard Parts List for AX5049, AP-146 and KIT-155.

D

C

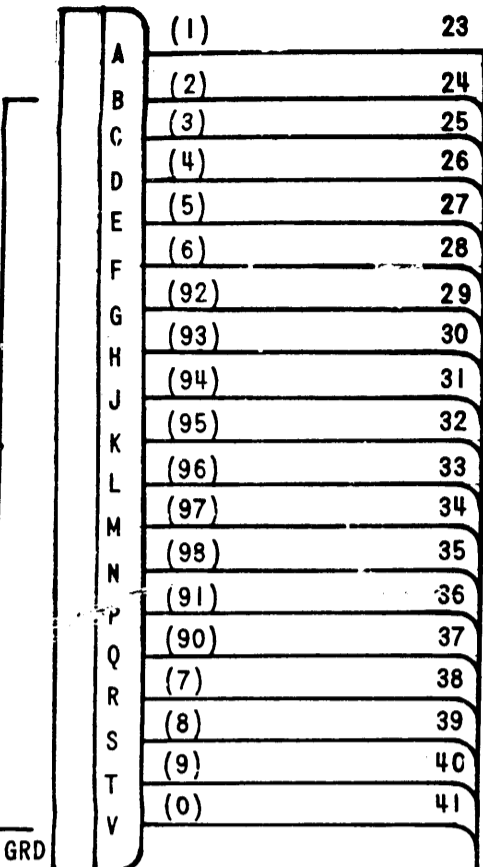
B

A

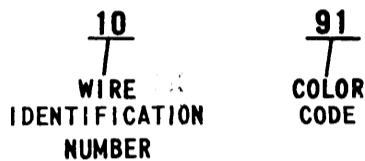
PRE-POSITION

P8039
J8006

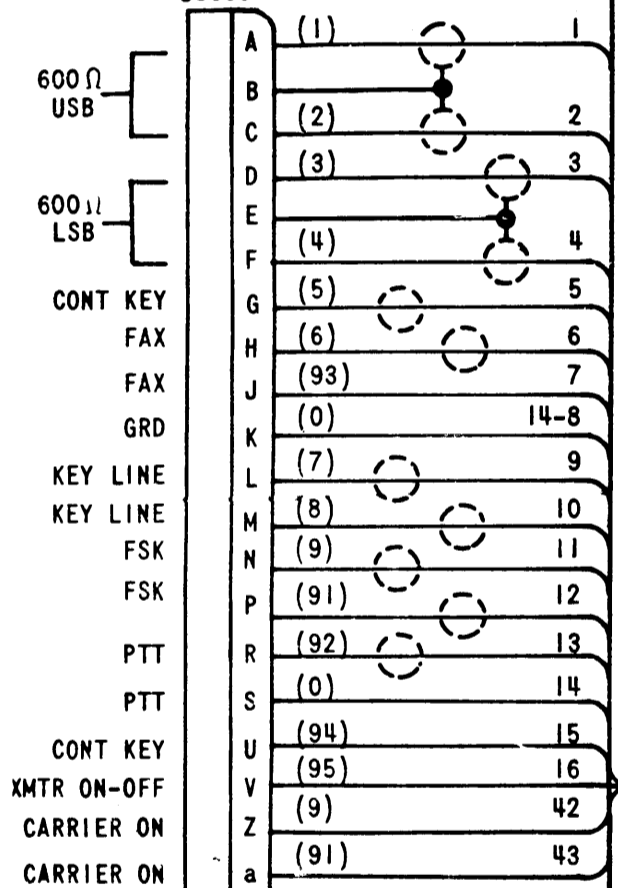
PRE-POSITION
BANDS
1-18



WIRE COLOR CODE



EXCITER
P8031
J8003



P8032
J8010

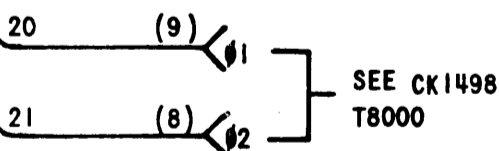
EXC
MON

P8033
J8013

SWCA
ALDC

P8034
J8011

RF
DRIVE



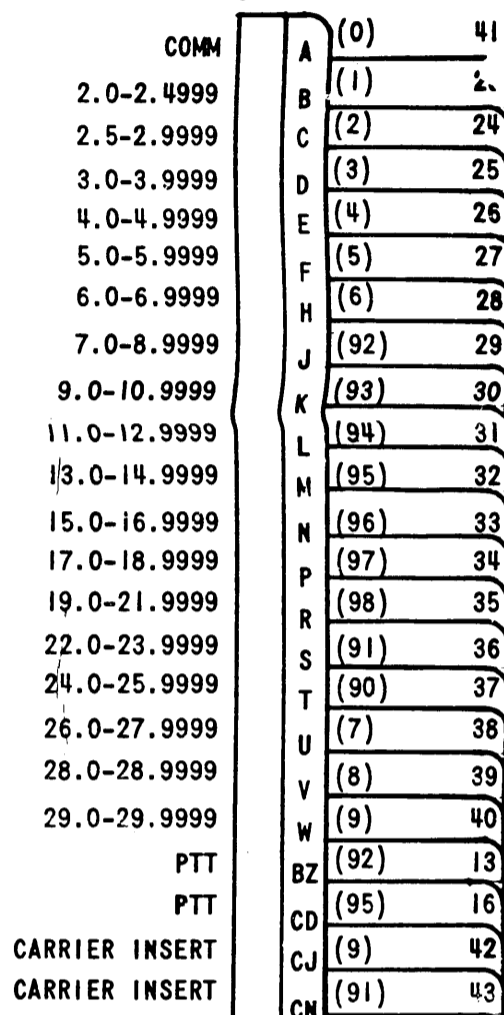
I	GPTA-2.5JF/50	
QTY / UNIT	MODEL USED ON	ASS'Y NO.
APPLICATION		
	CODE	

NOTICE TO PERSONS RECEIVING THIS DRAWING
 THE TECHNICAL MATERIEL CORPORATION claims proprietary right in the material disclosed hereon. This drawing is issued in confidence for engineering information only and may not be reproduced or used to manufacture anything shown hereon without permission from THE TECHNICAL MATERIEL CORPORATION to the user. This drawing is loaned for mutual assistance and is subject to recall at any time.

MMXA-2

P8040
J119

PRE-POS
FREQ
MHz



UNLESS OTHERWISE SPECIFIED
DIMENSIONS ARE IN INCHES
AND INCLUDE CHEMICALLY
OR PLATED FINISH

TOLERANCES

DECIMALS
 .X ± .05
 .XX ± .01
 .XXX ± .005

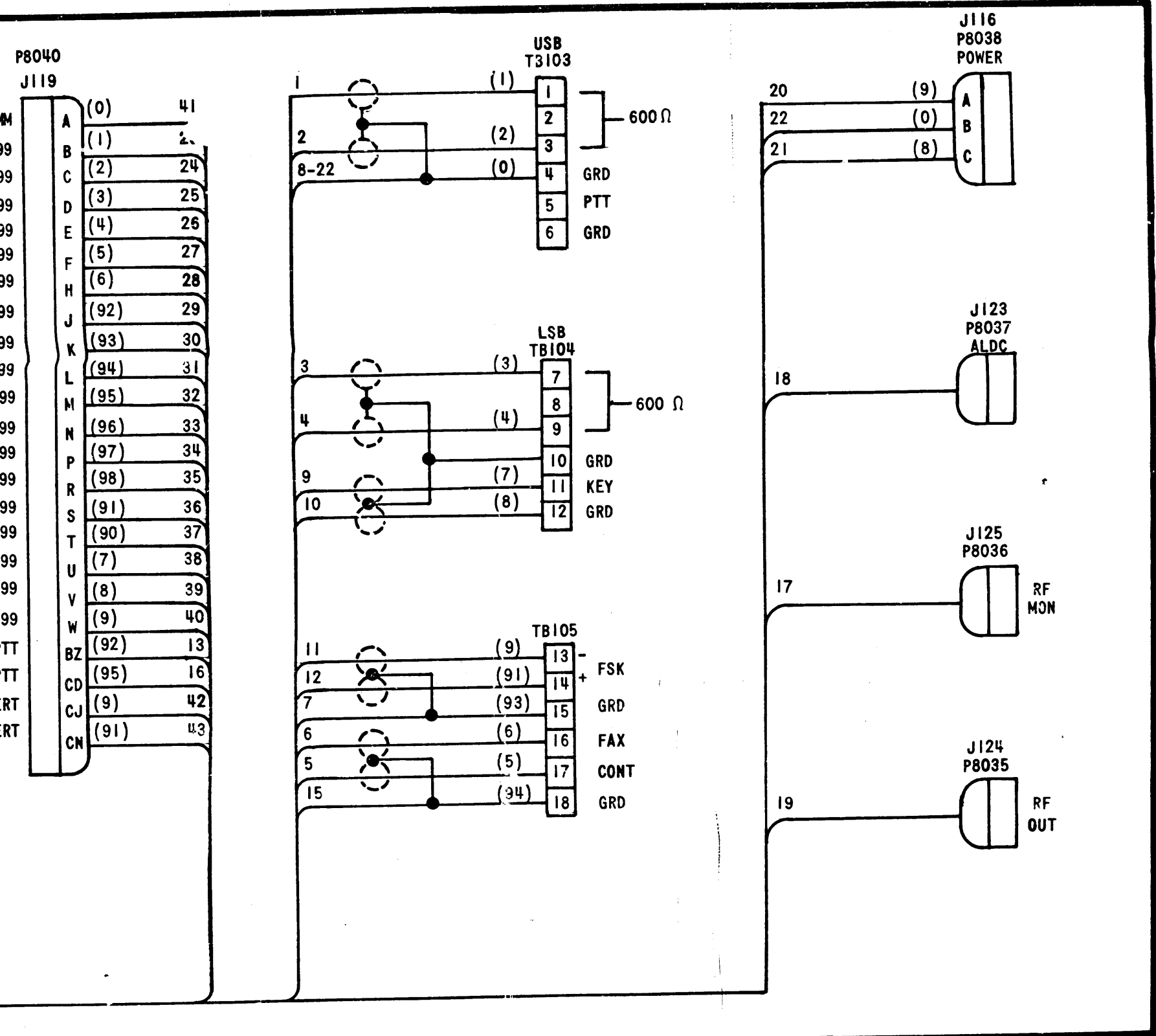
MATERIAL

FINISH

2

1

REVISIONS							
ZONE	LTR	DESCRIPTION	DATE	E.M.N.O.	DRAFT	CHKD	APPD
	X	EXPERIMENTAL RELEASE	6/14/68			C.V.	
	Ø	ORIG RELEASE FOR PROD	6.24.68	Ø			



D

C

CK 1521

B

QTY. REQ.	ITEM	PART NO.	DESCRIPTION	SYMBOL
F. BUDETTI LIST OF MATERIAL				
UNLESS OTHERWISE SPECIFIED DIMENSIONS ARE IN INCHES AND INCLUDE CHEMICALLY APPLIED OR PLATED FINISHES		THE TECHNICAL MATERIEL CORP. MAMARONECK, NEW YORK DIAGRAM, SCHEMATIC EXCITER INTERCONNECT		
TOLERANCES ON				
DECIMALS	FRACTIONS			
.X ± .05	± 1/64			
.XX ± .01	ANGLES			
.XXX ± .005	± 0° .30'			
MATERIAL		SIZE	CODE IDENT. NO.	DWG NO.
FINISH		C	82679	CK 1521
		SCALE	SHEET OF	

A

2

1