



TECHNICAL MANUAL
for
GENERAL PURPOSE RECEIVER
MODEL DDR-7A

APPENDIX



THE TECHNICAL MATERIEL CORPORATION
MAMARONECK, N. Y. OTTAWA, ONTARIO

COPYRIGHT 1964
THE TECHNICAL MATERIEL CORPORATION





THE TECHNICAL MATERIEL CORPORATION

C O M M U N I C A T I O N S E N G I N E E R S

700 FENIMORE ROAD

MAMARONECK, N. Y.

W a r r a n t y

The Technical Materiel Corporation, hereinafter referred to as TMC, warrants the equipment (except electron tubes,*fuses, lamps, batteries and articles made of glass or other fragile or other expendable materials) purchased hereunder to be free from defect in materials and workmanship under normal use and service, when used for the purposes for which the same is designed, for a period of one year from the date of delivery F.O.B. factory. TMC further warrants that the equipment will perform in a manner equal to or better than published technical specifications as amended by any additions or corrections thereto accompanying the formal equipment offer.

TMC will replace or repair any such defective items, F.O.B. factory, which may fail within the stated warranty period, PROVIDED:

1. That any claim of defect under this warranty is made within sixty (60) days after discovery thereof and that inspection by TMC, if required, indicates the validity of such claim to TMC's satisfaction.
2. That the defect is not the result of damage incurred in shipment from or to the factory.
3. That the equipment has not been altered in any way either as to design or use whether by replacement parts not supplied or approved by TMC, or otherwise.
4. That any equipment or accessories furnished but not manufactured by TMC, or not of TMC design shall be subject only to such adjustments as TMC may obtain from the supplier thereof.

Electron tubes*furnished by TMC, but manufactured by others, bear only the warranty given by such other manufacturers. Electron tube warranty claims should be made directly to the manufacturer of such tubes.

TMC's obligation under this warranty is limited to the repair or replacement of defective parts with the exceptions noted above.

At TMC's option any defective part or equipment which fails within the warranty period shall be returned to TMC's factory for inspection, properly packed with shipping charges prepaid. No parts or equipment shall be returned to TMC, unless a return authorization is issued by TMC.

No warranties, express or implied, other than those specifically set forth herein shall be applicable to any equipment manufactured or furnished by TMC and the foregoing warranty shall constitute the Buyers sole right and remedy. In no event does TMC assume any liability for consequential damages, or for loss, damage or expense directly or indirectly arising from the use of TMC Products, or any inability to use them either separately or in combination with other equipment or materials or from any other cause.

*Electron tubes also include semi-conductor devices.

TABLE OF CONTENTS

DDR-7A APPENDIX

List of Tables

<u>TABLE</u>	<u>TITLE</u>
A.	Parts list, DDR-7A General Purpose Receiver
B.	Parts list, RAK-30A Rack
C.	Parts list, LSP-11 Speaker Panel
D.	Parts list, DCP-2 Power Control Panel

List of Illustrations

<u>FIGURE</u>	<u>TITLE</u>
A.	Cable Installation Diagram, DDR-7A
B.	Model DCP-2 Power Control Panel
C.	Model LSP-11 Speaker Panel
D.	CA-661 Cable Wiring Diagram, SBS-1 to AFC-2A

TABLE A. PARTS LIST, DDR-7A GENERAL PURPOSE RECEIVER

<u>QTY/ UNIT</u>	<u>TMC PART NO.</u>	<u>TITLE</u>	<u>DESCRIPTION</u>
1	RAK-30A	Rack	Consists of rack structure and components listed in RAK-30A parts list (Table D).
2	GPR-92	Communica- tions Recei- ver	Consists of parts as described in GPR-92 Manual. Includes special TMC #PL-218 plug (P702 and P705, see Figure A) on a-c power cable.
2	TRX-1	Stabilized Crystal Oscillator	Consists of unit and parts as described in TRX-1 Manual. Includes special TMC #PL-218 plug (P701 and P704, see Figure A) on a-c power cable.
1	SBS-1	Sideband Selector	Consists of unit and parts as described in SBS-1 Manual. Includes special TMC #PL-218 plug (P703, see Figure A) on a-c power cable.
1	AFC-2A	Automatic Frequency Control	Consists of unit and parts as described in AFC-2A Manual.
1	LSP-11	Speaker Panel	Consists of unit as shown in Figure C and parts as listed in Table C.
1	DCP-2	Power Control Panel	Consists of unit as shown in Figure B and parts as listed in Table D.
1	MS-157-2H	Blank Panel	3-15/32 inches high x 19 inches wide
1	MS-157-1H	Blank Panel	1-23/32 inches high x 19 inches wide
2	MS-157-6S	Blank Panel	10-15/32 inches high x 19 inches wide

TABLE B. PARTS LIST, RAK-30A RACK

SYM.	DESCRIPTION	FUNCTION	T M C PART NO.
B701	Blower, Axial: 100 CFM, 115 VAC 60 Cycle, single phase	Rack cooling	BL-106-2
B702	Same as B701		
J701	CONNECTOR, receptacle: a-c power, 3 contact, grounding type.	Rack a-c strip outlet	JJ-294
J702	Same as J701		
J703	Same as J701		
J704	Same as J701		
J705	Same as J701		
J706	Same as J701		
J707	CONNECTOR, receptacle: AC, male, 3-prong	Line Voltage input	PL-133-NG
MP701	Filter, air: forced-air cooling system	Rack intake air filter	AD-103-9
MP702	Filter, air: forced-air cooling system	Rack exhaust air filter	AD-103-5
P707	CONNECTOR, plug: a-c, 3-prong, female	Mates with J707	PL-134-NG
TB-701	FANNING STRIP: 4-terminal, right angle, right end feed (P/O W704)	Mates with TB-101 on LSP-11	TM-105-4AR
TB702	FANNING STRIP: 18-terminal, right angle, right end feed	MATES WITH EC80 on SBS-1	TM-105-18 AR
TB703	TERMINAL BLOCK: Barrier type, 6-terminal, #6-32 binder head screws, bakelite body	DDR-7A audio output	TM-102-6
TB 704	FANNING STRIP: 6-terminal, right angle, left end feed	Mates with TB 703	TM-105-6-AL
W701	CABLE, AC power: consists of 2 conductor a-c power cable, 60 inches long, and 2 terminals.	TB2(DCP-2) to a-c power strip	CA-588-3

TABLE B.		PARTS LIST, RAK-30A	RACK	TMC
SYM.	DESCRIPTION	FUNCTION	PART NO.	
W702	CABLE, AC power: consists of 2-conductor coiled a-c power cable, 1 foot long retracted, 2 terminals and plug (P706).	J706 (a-c power strip) to blower terminal strip	-----	
W703	CABLE, AC power: consists of 2-conductor a-c power cable and 2 terminals.	J707 (rack) to TB1 (DCP-2)	-----	
W704	CABLE, harness: consists of wiring as shown in figure A, TB701, 702, and 704.	Audio outputs from SBS-1	-----	
W705	CABLE, harness: consists of wiring as shown in figure A, 3 RG-174/U coaxial cables, each cable with TMC #PL-169 plug on either end.	TRX-1 outputs to GPR-92	CA-748	
W706	Same as W705			
W707	CABLE, RF: consists of RG-59/U coaxial cable, and 2 UG-260/u plugs.	J109 (GPR-92) to J6801 (SBS-1)	CA-480-6-115	
W708	CABLE, interconnecting: consists of wiring as shown in figure D, TMC #PL-212-1 and PL-212-2 plugs	J7003 (SBS-1) to J5001 (AFC-2A)	CA-661-2	
W709	CABLE, RF: consists of RG-174/U coaxial cable	J6804 (SBS-1) to J5000 (AFC-2A)	CA-480-3-103	
W710	Same as W709	J5002 (AFC-2A) to J6803 (SBS-1)	CA-480-3-103	
W711	Same as W709	J5003 (AFC-2A) to J6802 (SBS-1)	CA-480-3-103	

TABLE C. PARTS LIST, LSP-11 SPEAKER PANEL

SYM	DESCRIPTION	FUNCTION	TMC PART NO.
LS101	LOUDSPEAKER: 4-ohms impedance; voice coil, 3.2 ohms, 4.5 watts	Sound Output LS-1	LS101
LS102	Same as LS101	Sound Output LS-2	
R101	ATTENUATOR, variable: "T" pad, 4-ohms impedance, 4 watts max continuous, 15 watts peak audio, 36 db max attenuation.	LS-1 INCR control	RV-107-T4
R102	Same as R101	LS-2 INCR control	
T101	TRANSFORMER, audio: primary, 500 ohms impedance; secondary, red to brown, 6-8 ohms impedance, brown to black, 3.2 ohms impedance.	Impedance matching	TF-261
T102	Same as T101		
TB101	TERMINAL BLOCK: Barrier type, 4-terminal, #6-32 binder head screws, bakelite body.	External Connections	TM-102-4

TABLE D. PARTS LIST, DCP-2 POWER CONTROL PANEL

SYM	DESCRIPTION	FUNCTION	TMC PART NO.
CB1	CIRCUIT BREAKER: dual, toggle switch type, 10 amps, 110/230 VAC	A-c input line protection	SW-251
DS1	LAMP, incandescent: 120 volts, 3 watts, S-6 clear bulb, bayonet base.	MAIN POWER indicator	BI-102-3
F1	FUSE, cartridge: 15-amp slo-blow	J1 receptacle output fuse	FU-102-15
F2	Same as F1	UTILITY OUTLET fuse	
F3	Same as F1	UTILITY OUTLET fuse	
J1	CONNECTOR, receptacle: A-c, female, 2-prong, polarized, 115/230V.	Output connector (for VOX-5)	JJ-130
J2	CONNECTOR, receptacle: A-c, female, grounding type.	UTILITY OUTLET	JJ-173
J3	Same as J2		
R1	RESISTOR, fixed: wire wound, 2.5k, 25 watts	115- to 230-v conversion	RW-111-25
TB1	TERMINAL BLOCK: Barrier type, 4-terminal, #10-32 binder head screws, bake- lite body.	Input connections	TM-118-4
TB2	Same as TB1	Output connections	
XDS1	SOCKET, lamp: for bayonet contact bulb, w/screw terminals, red lens	MAIN POWER lamp holder	TS-124-1
XF1	HOLDER, fuse: for 1/4 in. dia. x 1-1/4 in. long car- tridge fuse, flat-sided clear knob with neon bulb and 220 k resistor.	F1 fuse socket	FH-104-3
XF2	Same as XF1	F2 fuse socket	
XF3	Same as XF1	F3 fuse socket	

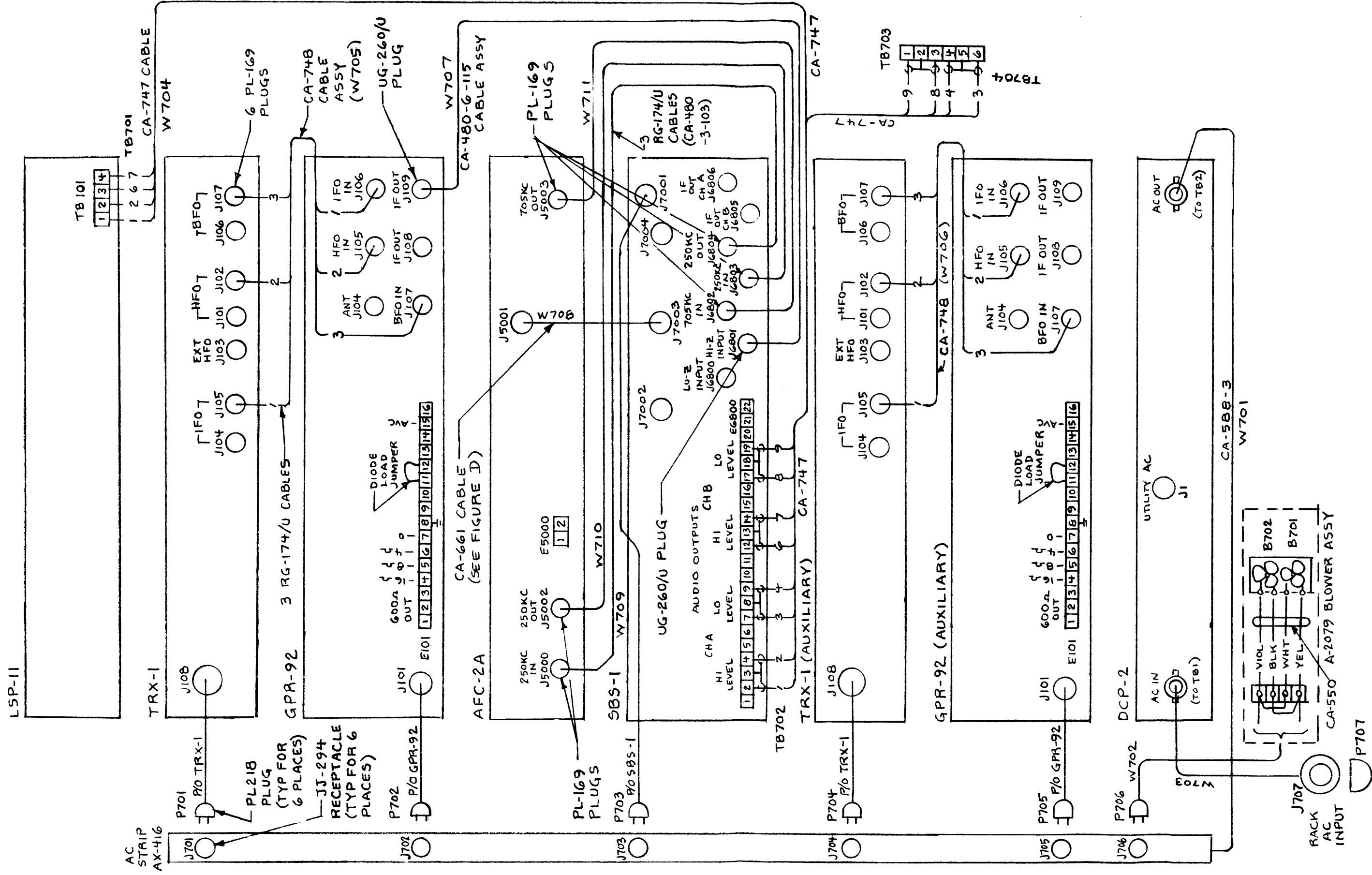
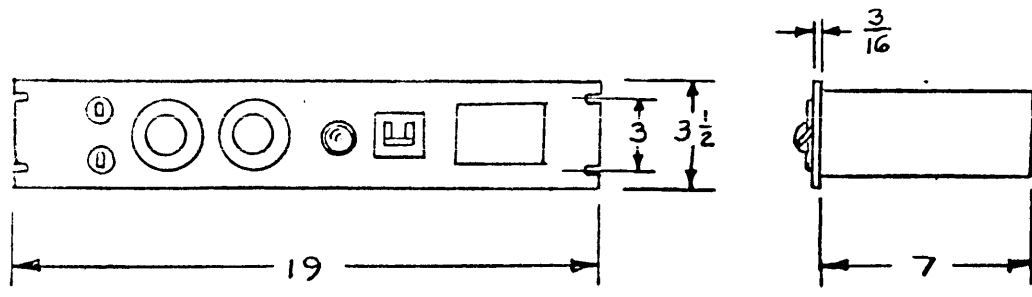
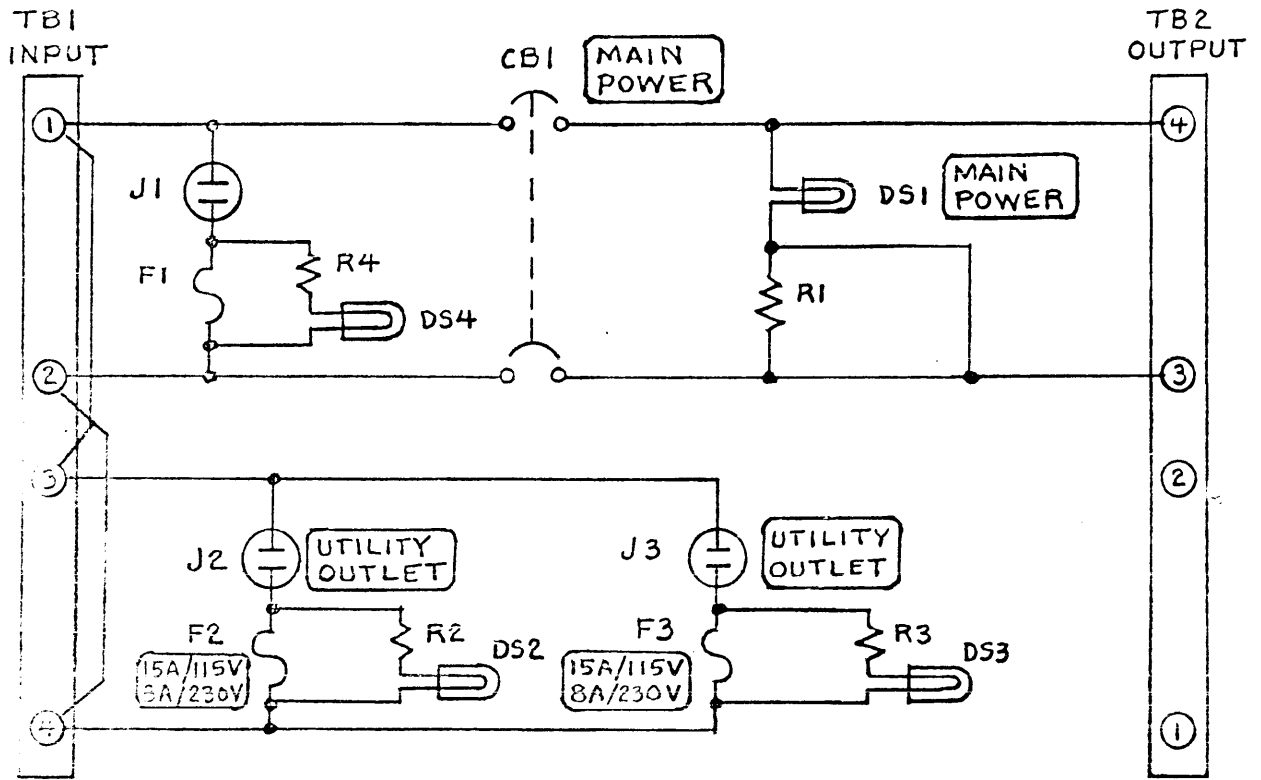


FIGURE A. CABLE INSTALLATION DIAGRAM, DDR-7A

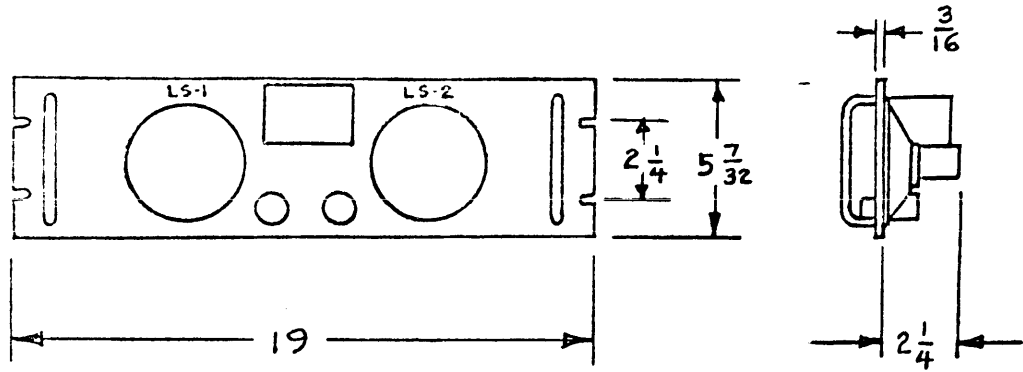


DIMENSIONAL OUTLINE

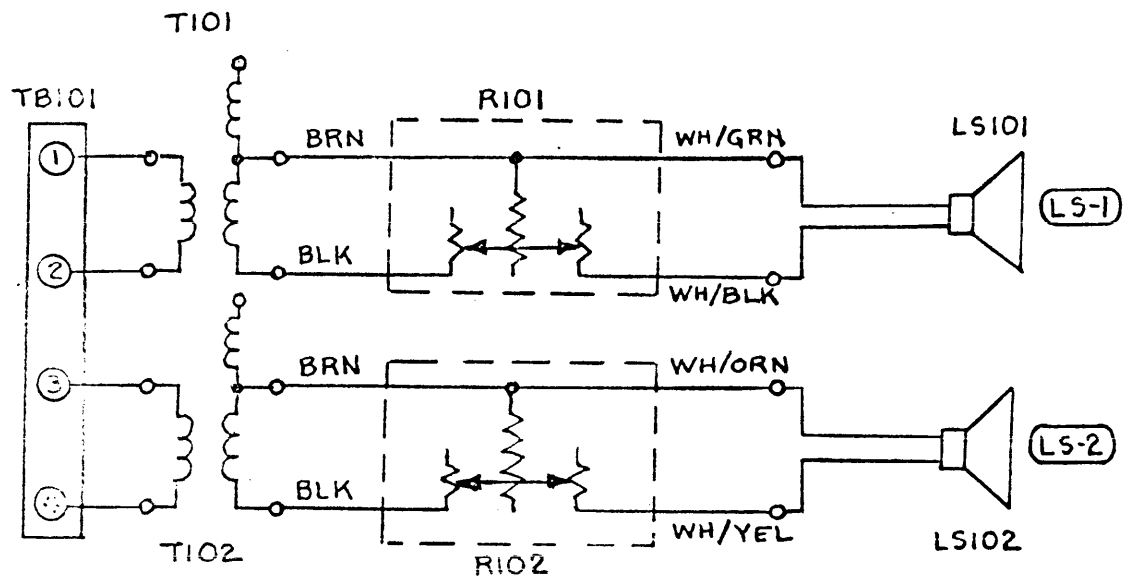


SCHEMATIC WIRING DIAGRAM

FIGURE B. MODEL DCP-2 POWER CONTROL PANEL



DIMENSIONAL OUTLINE



SCHEMATIC WIRING DIAGRAM

FIGURE C. MODEL LSP-II SPEAKER PANEL

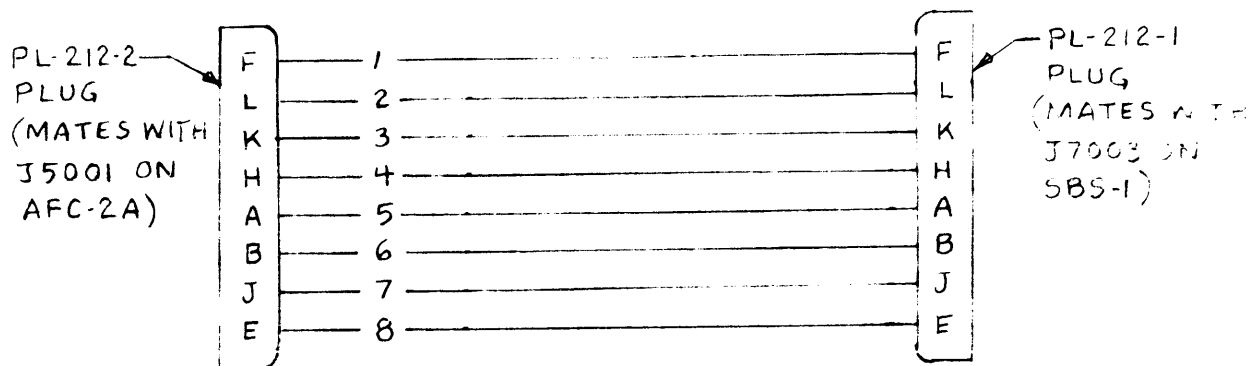


FIGURE D. CA-661-2 CABLE WIRING DIAGRAM, SBS-1
TO AFC-2A