

★
MASTER COPY

DO NOT DESTROY

TECHNICAL MANUAL

for

REMOTE CONTROL GROUP

MODEL COPB-1



THE TECHNICAL MATERIEL CORPORATION

MAMARONECK, N. Y.

OTTAWA, CANADA



★

TECHNICAL MANUAL

for

REMOTE CONTROL GROUP

MODEL COPB-1



THE TECHNICAL MATERIEL CORPORATION
MAMARONECK, N. Y. OTTAWA, CANADA

NOTICE

THE CONTENTS AND INFORMATION CONTAINED IN THIS INSTRUCTION MANUAL IS PROPRIETARY TO THE TECHNICAL MATERIEL CORPORATION TO BE USED AS A GUIDE TO THE OPERATION AND MAINTENANCE OF THE EQUIPMENT FOR WHICH THE MANUAL IS ISSUED AND MAY NOT BE DUPLICATED EITHER IN WHOLE OR IN PART BY ANY MEANS WHATSOEVER WITHOUT THE WRITTEN CONSENT OF THE TECHNICAL MATERIEL CORPORATION.

REMOTE CONTROL GROUP

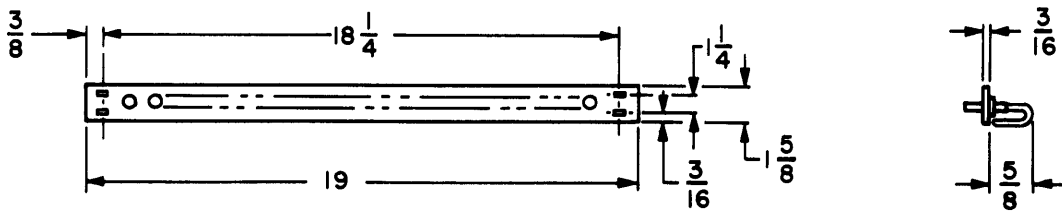
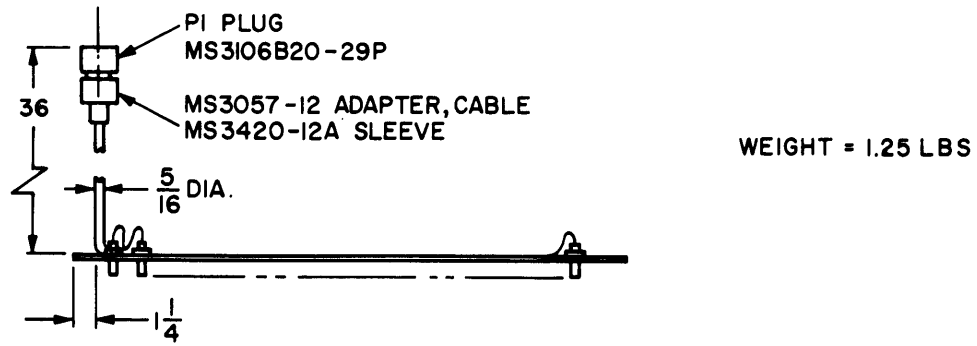
MODEL COPB-1

Remote Control Group Model COPB-1 is identical to Remote Control Console AN/URA-63 (COPB-2) without the cabinet console. The COPB-1 consists solely of the following three modular units:

Indicator Panel SB-3230/UR
Channel/Frequency Indicator ID-1600/UR
Programmer, Electronic Command Signal
C-7775/UR

The above three units are completely described in the Technical Manual for the AN/URA-63. Figures A, B and C of this addendum depicts individual overall dimensions, weight, center of gravity and other individual unit installation data for the three units.

Front Panel marking on modular units in the COPB-1 is in MHz and kHz.



ALL DIMENSIONS ARE IN INCHES

Figure A. Outline Dimensions of Indicator Panel

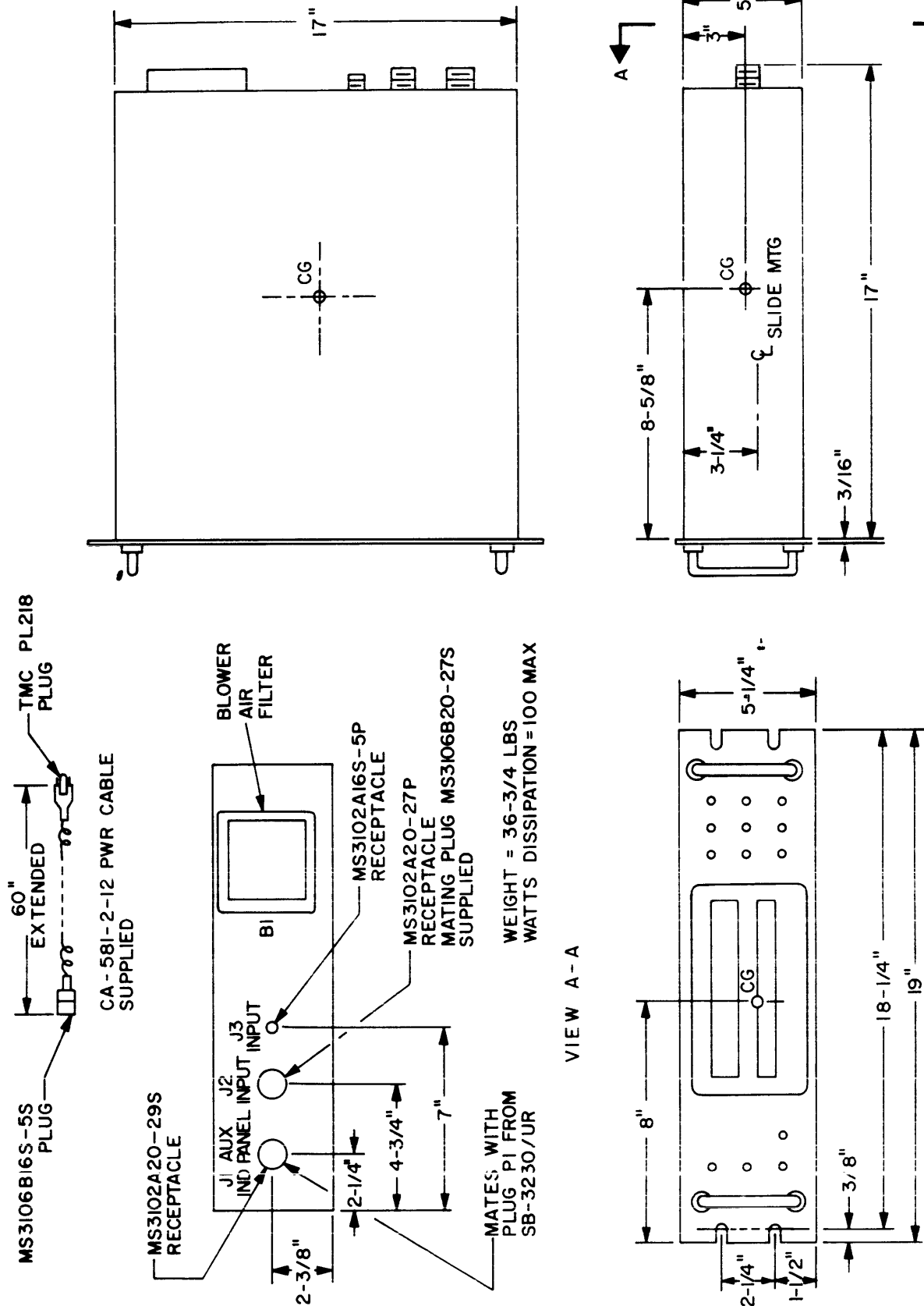
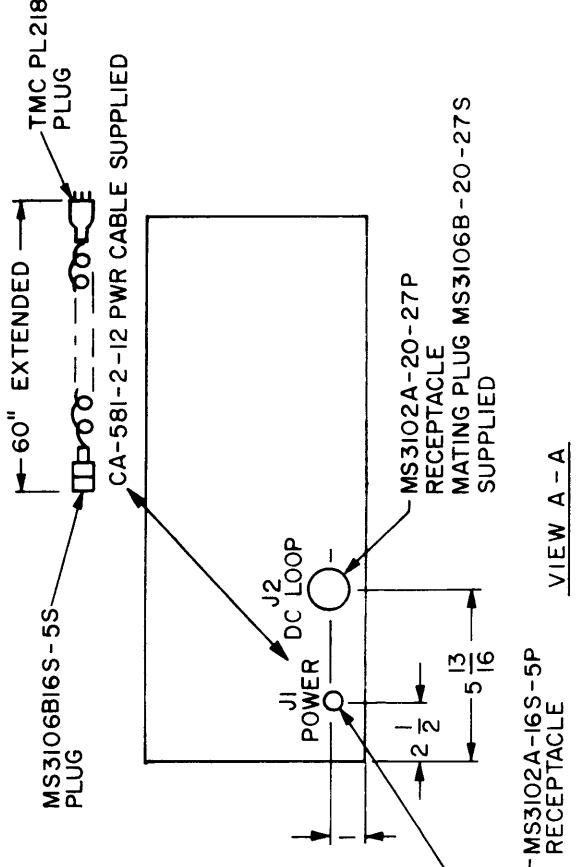
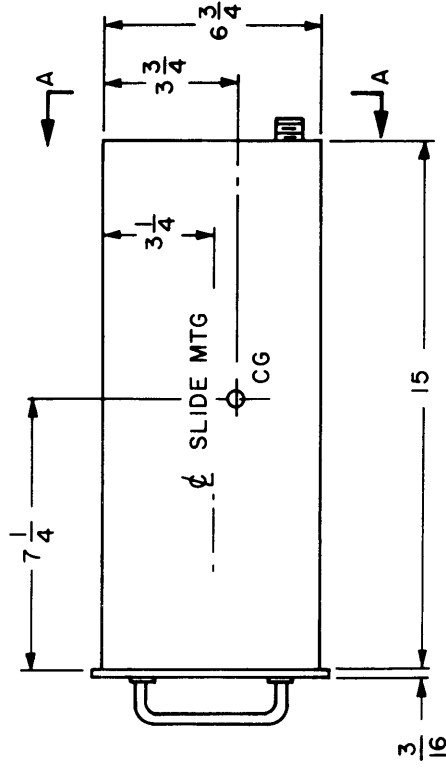
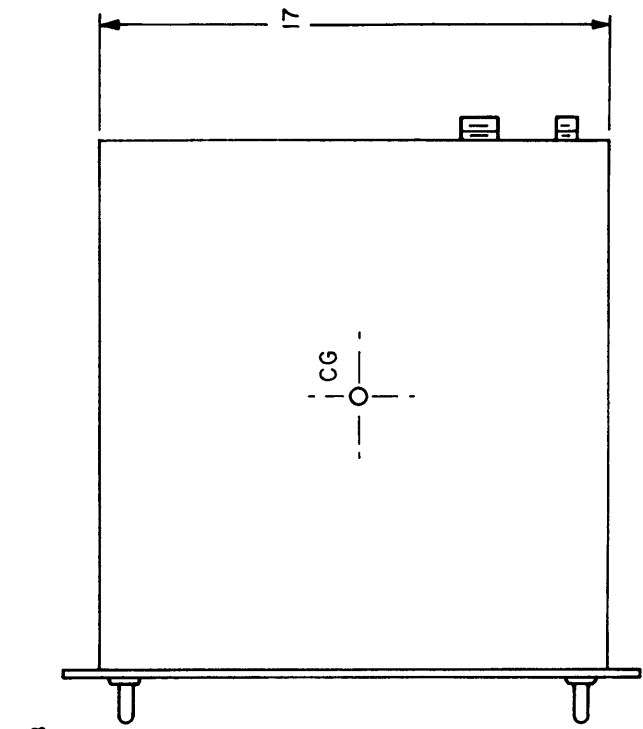
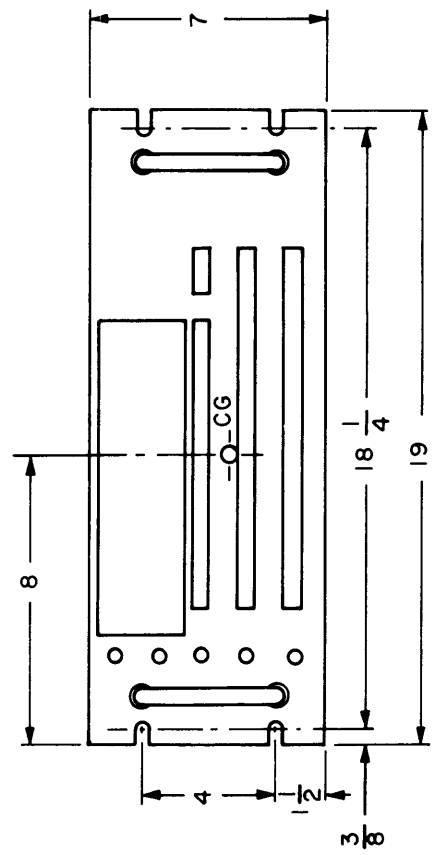


Figure B. Outline Dimensions of Indicator



WEIGHT = 26 LBS
 WATTS DISSIPATION = 68 MAX



ALL DIMENSIONS ARE IN INCHES

Figure C. Outline Dimensions of Programmer