

METER PANEL

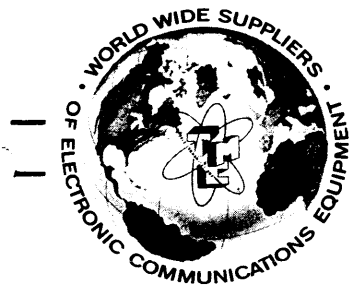
AX-107

METER PANEL

AX-107

NOTICE

THE CONTENTS AND INFORMATION CONTAINED IN THIS INSTRUCTION MANUAL IS PROPRIETARY TO THE TECHNICAL MATERIEL CORPORATION TO BE USED AS A GUIDE TO THE OPERATION AND MAINTENANCE OF THE EQUIPMENT FOR WHICH THE MANUAL IS ISSUED AND MAY NOT BE DUPLICATED EITHER IN WHOLE OR IN PART BY ANY MEANS WHATSOEVER WITHOUT THE WRITTEN CONSENT OF THE TECHNICAL MATERIEL CORPORATION.



THE TECHNICAL MATERIEL CORPORATION

C O M M U N I C A T I O N S E N G I N E E R S

700 FENIMORE ROAD

MAMARONECK, N. Y.

W a r r a n t y

The Technical Materiel Corporation, hereinafter referred to as TMC, warrants the equipment (except electron tubes,*fuses, lamps, batteries and articles made of glass or other fragile or other expendable materials) purchased hereunder to be free from defect in materials and workmanship under normal use and service, when used for the purposes for which the same is designed, for a period of one year from the date of delivery F.O.B. factory. TMC further warrants that the equipment will perform in a manner equal to or better than published technical specifications as amended by any additions or corrections thereto accompanying the formal equipment offer.

TMC will replace or repair any such defective items, F.O.B. factory, which may fail within the stated warranty period, PROVIDED:

1. That any claim of defect under this warranty is made within sixty (60) days after discovery thereof and that inspection by TMC, if required, indicates the validity of such claim to TMC's satisfaction.
2. That the defect is not the result of damage incurred in shipment from or to the factory.
3. That the equipment has not been altered in any way either as to design or use whether by replacement parts not supplied or approved by TMC, or otherwise.
4. That any equipment or accessories furnished but not manufactured by TMC, or not of TMC design shall be subject only to such adjustments as TMC may obtain from the supplier thereof.

Electron tubes*furnished by TMC, but manufactured by others, bear only the warranty given by such other manufacturers. Electron tube warranty claims should be made directly to the manufacturer of such tubes.

TMC's obligation under this warranty is limited to the repair or replacement of defective parts with the exceptions noted above.

At TMC's option any defective part or equipment which fails within the warranty period shall be returned to TMC's factory for inspection, properly packed with shipping charges prepaid. No parts or equipment shall be returned to TMC, unless a return authorization is issued by TMC.

No warranties, express or implied, other than those specifically set forth herein shall be applicable to any equipment manufactured or furnished by TMC and the foregoing warranty shall constitute the Buyers sole right and remedy. In no event does TMC assume any liability for consequential damages, or for loss, damage or expense directly or indirectly arising from the use of TMC Products, or any inability to use them either separately or in combination with other equipment or materials or from any other cause.

*Electron tubes also include semi-conductor devices.

PROCEDURE FOR RETURN OF MATERIAL OR EQUIPMENT

Should it be necessary to return equipment or material for repair or replacement, whether within warranty or otherwise, a return authorization must be obtained from TMC prior to shipment. The request for return authorization should include the following information:

1. Model Number of Equipment.
2. Serial Number of Equipment.
3. TMC Part Number.
4. Nature of defect or cause of failure.
5. The contract or purchase order under which equipment was delivered.

PROCEDURE FOR ORDERING REPLACEMENT PARTS

When ordering replacement parts, the following information must be included in the order as applicable:

1. Quantity Required.
2. TMC Part Number.
3. Equipment in which used by TMC or Military Model Number.
4. Brief Description of the Item.
5. The *Crystal Frequency* if the order includes crystals.

PROCEDURE IN THE EVENT OF DAMAGE INCURRED IN SHIPMENT

TMC's Warranty specifically excludes damage incurred in shipment to or from the factory. In the event equipment is received in damaged condition, the carrier should be notified immediately. Claims for such damage should be filed with the carrier involved and not with TMC.

All correspondence pertaining to Warranty Claims, return, repair, or replacement and all material or equipment returned for repair or replacement, within Warranty or otherwise, should be addressed as follows:

THE TECHNICAL MATERIEL CORPORATION
Engineering Services Department
700 Fenimore Road
Mamaroneck, New York

TABLE OF CONTENTS

<u>Paragraph</u>		<u>Page</u>
1	Description	1
2	Unpacking and Installation	1
3	Electrical Installation	1
4	Maintenance	3
5	Parts List	3

LIST OF ILLUSTRATIONS

<u>Figure</u>		<u>Page</u>
1	Meter Panel, AX-107	0
2	Schematic Diagram, AX-107	2

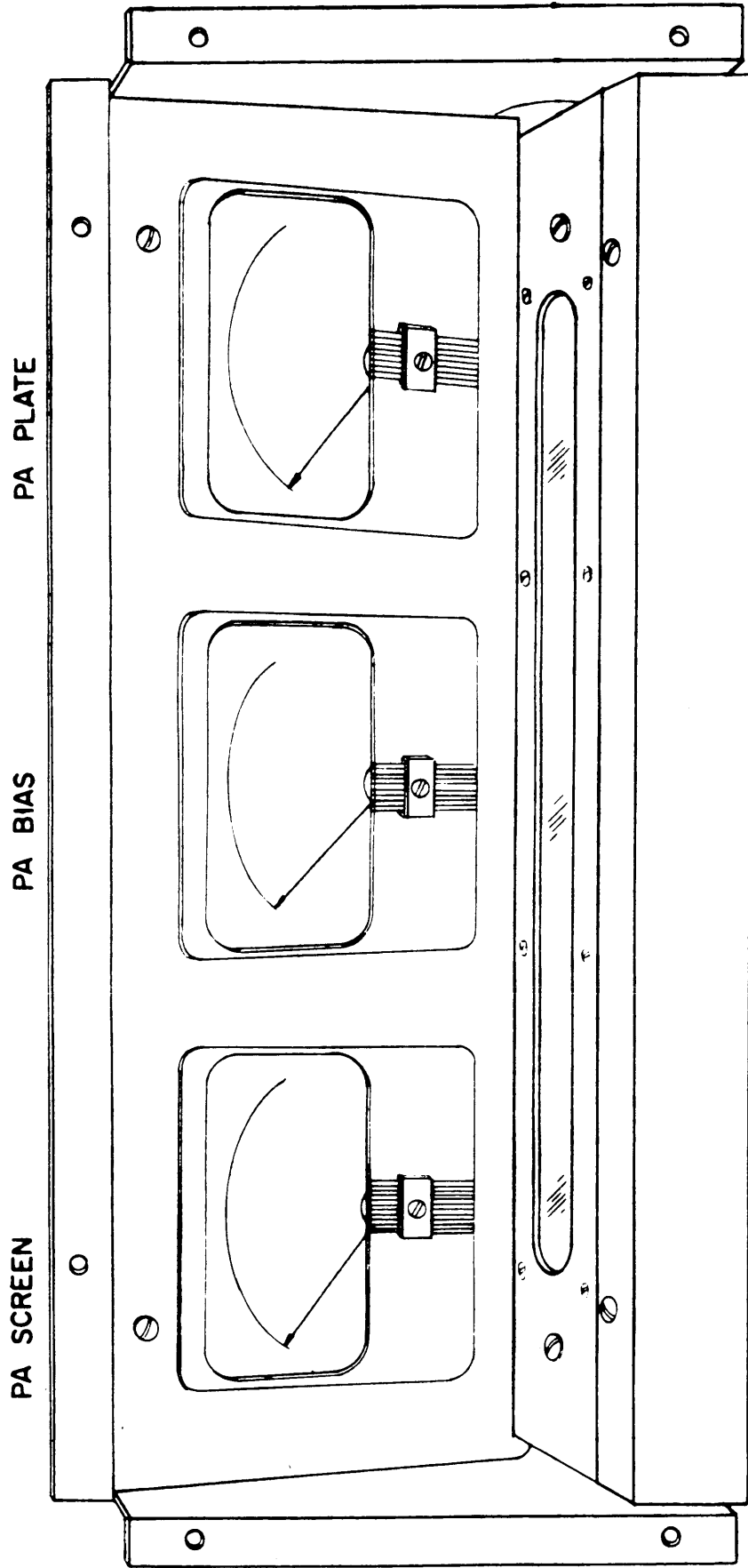


Figure 1. Meter Panel AX-107

1. DESCRIPTION

Meter Panel AX-107 (figure 1) contains three meters that can be used to monitor the bias, screen, and plate voltages of a final power amplifier stage. A fluorescent lamp is supplied to illuminate the meter area.

2. UNPACKING AND INSTALLATION

When provided as part of a system, the AX-107 is normally installed in a rack at the factory; the rack (with associated equipment) is then shipped to the operating site. Whether received in this form or as an individual unit, uncrate the equipment carefully and inspect for damage that may have occurred in transit. Inspect all packing material for parts that may have been shipped as loose items. With respect to damage to the equipment for which the carrier is liable, The Technical Materiel Corporation will assist in describing methods of repair and the furnishing of replacement parts.

Each AX-107 is tested at the factory before shipment, and is therefore ready for installation and operation. Preliminary adjustments are not necessary. The AX-107 is designed for installation in a 19-inch wide equipment rack. Installation consists of fastening the AX-107 to the rack with screws.

3. ELECTRICAL INSTALLATION

Electrical connection at the rear panel is dependent upon the system in which the unit is used: refer to the applicable system cabling diagram and make the necessary connections.

Schematic diagram figure 2 should be used in conjunction

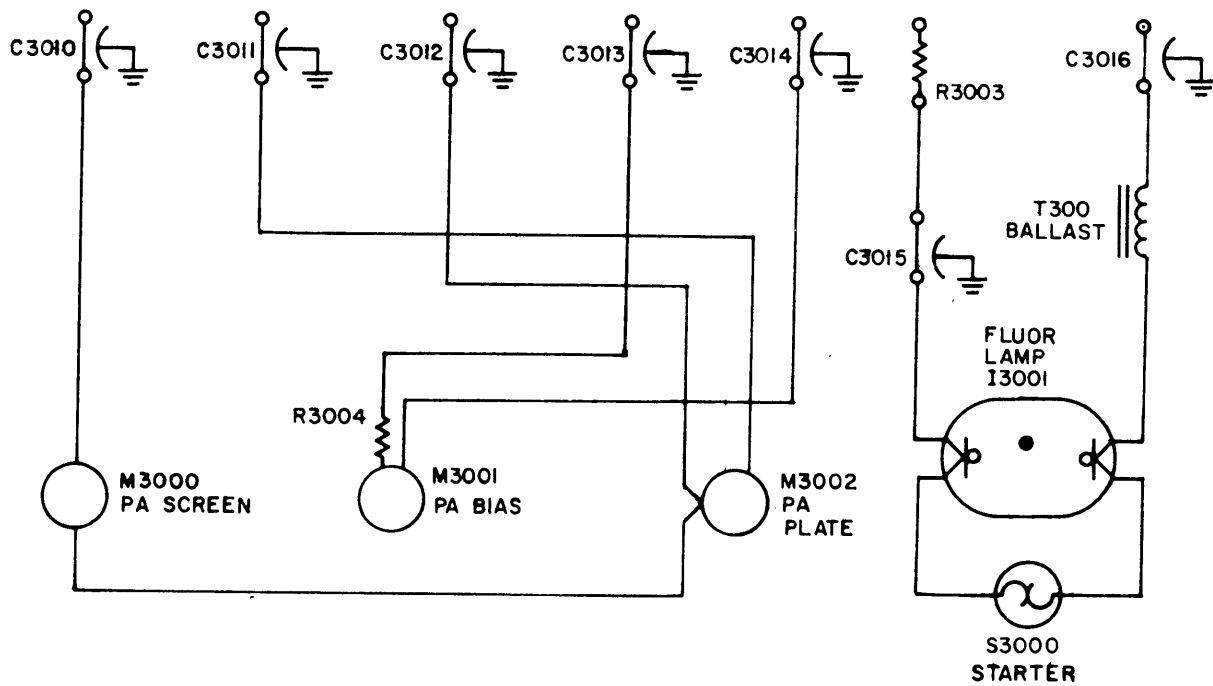


Figure 2. Schematic Diagram, AX-107

with the schematic diagrams in the associated system and modular-unit manuals as an aid for tracing wiring.

4. MAINTENANCE

Check condition of wires, terminals, and meters to ensure that charring or other deterioration has not set in.

5. PARTS LIST

The parts list presented is a cross-reference list of parts identified by a reference designation and TMC part number. In most cases, parts appearing on schematic diagrams are assigned reference designations in accordance with MIL-STD-16. Wherever practicable, the reference designation is marked on the equipment, close to the part it identifies. In most cases, mechanical and electro-mechanical parts have TMC part numbers stamped on them.

To expedite delivery when ordering any part, specify the following:

- a. Generic name.
- b. Reference designation.
- c. TMC part number.
- d. Model and serial numbers of the equipment containing the part being replaced; this can be obtained from the equipment nameplate.

For replacement parts not covered by warranty (refer to warranty sheet in front of manual), address all purchase orders to:

The Technical Materiel Corporation
Attention: Sales Department
700 Fenimore Road
Mamaroneck, New York

PARTS LIST
for
METER PANEL ASSEMBLY

REF SYMBOL	DESCRIPTION	TMC PART NUMBER
C3000 thru C3009	NOT USED	
C3010	CAPACITOR, FIXED, CERAMIC DIELECTRIC: feed-thru; 1,000 uuf, <u>+20%</u> ; 500 WVDC.	CK70AW102M
C3011 thru C3016	Same as C3010.	
I3000	NOT USED	
I3001	LAMP, FLUORESCENT: standard cool white; 1/2" dia. x 11-1/4" long.	BI107
M3000	VOLTMETER: PA; screen; 0-1500 volt scale; 1 ma DC movement; 4-1/2" square case.	MR119
M3001	VOLTMETER: PA; bias; 0-400 negative megovolt scale; 1 ma DC movement; 4-1/2" square case.	MR122
M3002	VOLTMETER: PA; plate; 0-10 kilovolt scale; 1 ma DC movement; 4-1/2" square case.	MR121
R3000 thru R3002	NOT USED	
R3003	RESISTOR, FIXED, WIREWOUND: 600 ohms, 25 watts.	RW102
R3004	RESISTOR, FIXED, COMPOSITION: 390,000 ohms, <u>+5%</u> ; 2 watts.	RC42GF394J
S3000	STARTER, FLUORESCENT LAMP: 8 watts; 3/16" dia. x 1-1/2" long o/a.	PO170
T3000	NOT USED	
T3001	BALLAST, FLUORESCENT LAMP: 8 watts, 118 volts, 0.17 amp, 60 cps; 5-1/2" leads; 1-1/8" wide x 7/8" high x 5-15/16" long o/a.	PO169
XI3000	NOT USED	
XI3001A	SOCKET, FLUORESCENT LAMP: 75 watts, 250 volts; 6" leads; 1-1/32" high x 5/8" wide x 5/16" thick o/a.	TS141

PARTS LIST (CONT)

REF SYMBOL	DESCRIPTION	TMC PART NUMBER
XI3001B	Same as XI3001A.	
XS3000	SOCKET, STARTER, FLUORESCENT: 660 watts, 250 volts; 8-1/2" leads; 1-13/16" long x 1-11/16" wide x 7/16" deep o/a.	TS140