

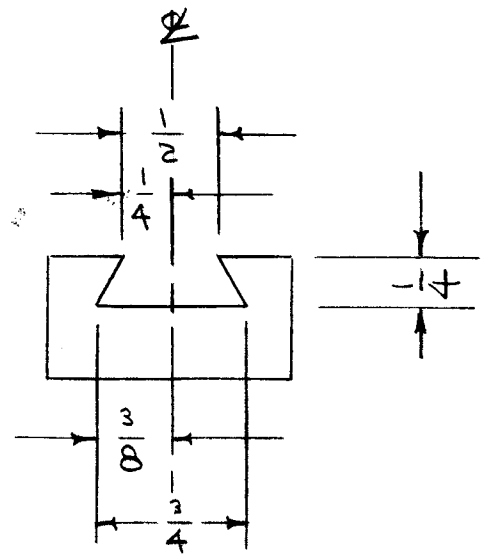
IF IT IS FOUND DESIRABLE TO CHANGE ANY TOLERANCE OR OTHER DETAIL SPECIFIED ON THIS DRAWING NOTIFY THE PURCHASER PROMPTLY.

MAXIMUM ALLOWABLE TOLERANCES HAVE BEEN DETERMINED AND DEVIATIONS WILL BE CAUSE FOR REJECTION. REMOVE ALL BURRS AND SHARP EDGES

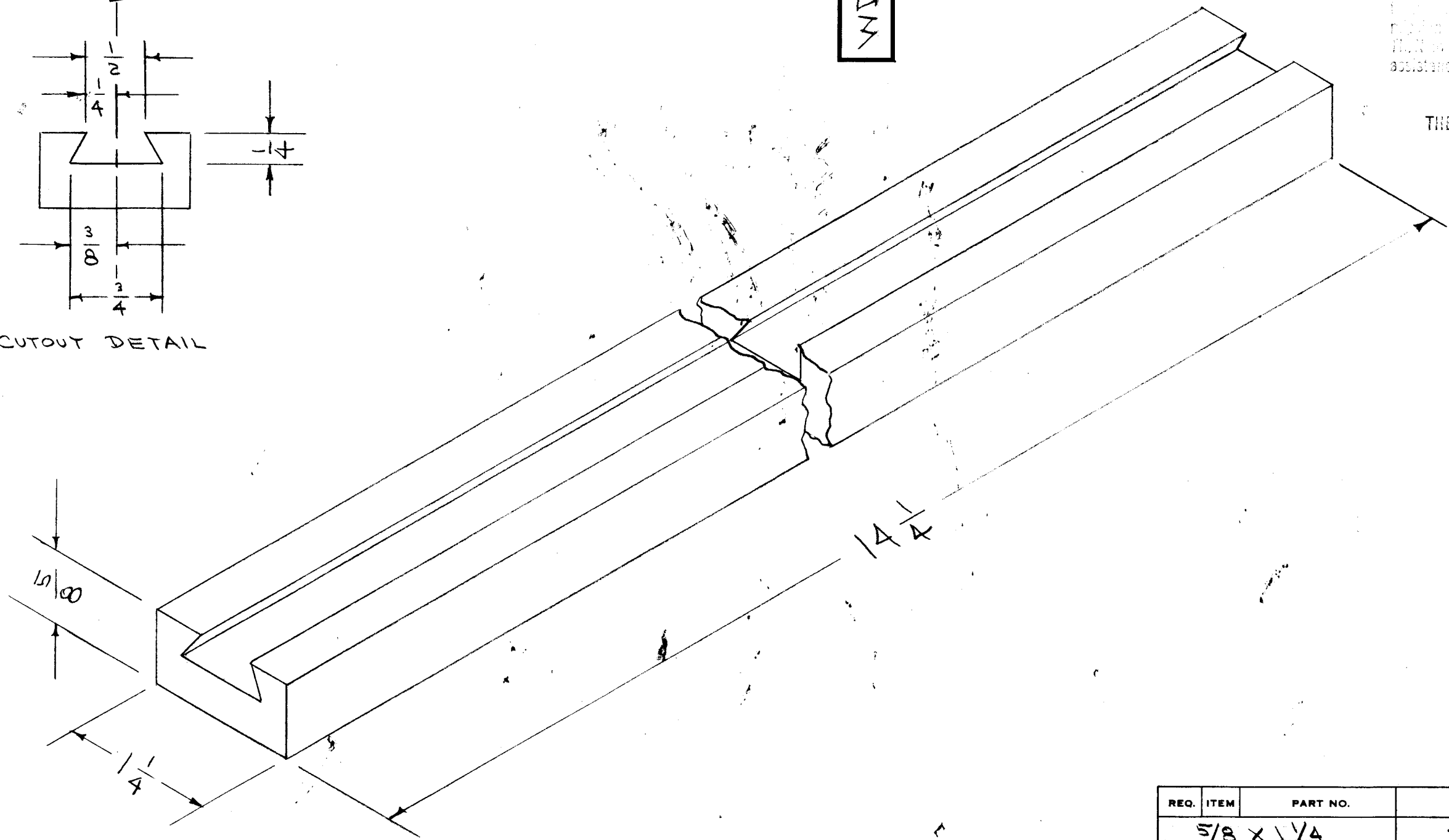
WD-121

THIS DRAWING IS THE PROPERTY OF THE TECHNICAL MATERIEL CORPORATION. IT IS LOANED TO YOU FOR YOUR INFORMATION AND USE ONLY. IT IS NOT TO BE REPRODUCED OR COPIED IN ANY MANNER WITHOUT THE WRITTEN PERMISSION OF THE TECHNICAL MATERIEL CORPORATION. THE LOANING IS FOR MUTUAL ASSISTANCE AND IS SUBJECT TO RECALL AT ANY TIME.

Property of:
THE TECHNICAL MATERIEL CORPORATION
MAMARONECK, NEW YORK



CUTOUT DETAIL



REQ.	ITEM	PART NO.	DESCRIPTION	SYMBOL
		5/8 x 1/4	THE TECHNICAL MATERIEL CORP. MAMARONECK, NEW YORK	
		STOCK SIZE		
	OAK	#	MOUNTING STRIP, BASE	
	MATERIAL	WEIGHT PER PC.	C.P.M.O.	
			ORD. 9-22-54	
		TYPE & TEMPER		
			DRAWN	ELEC. DES. APP. MECH. DES. APP.
		HEAT TREAT. SPEC.	CHECKED	FINAL APPROVAL
		FINISH & SPEC. NO.		

ISSUE	ITEM	CHANGED FROM	DATE	CN. NO.	DRAFTS	CHECKER	ENG. APP.
TOLERANCES							
ALL OTHERS				SCALE:			
DEC. DIM. ±				DRILL, PUNCH, COMMERCIAL STOCK			
FRAC. DIM. ± 1/64				SIZES AND MANUFACTURERS			
ANGULAR DIM. ±				TOLERANCES ARE NOT INCLUDED.			

2	CPMO	285		9-22-54
REQ. PER UNIT	MODEL	PROJECT NO.	ASS'Y. NO.	DATE
USED ON				