

IT IS FOUND DESIRABLE TO CHANGE ANY TOLERANCE
 OTHER DETAIL SPECIFIED ON THIS DRAWING NOTIFY
 THE PURCHASER PROMPTLY.

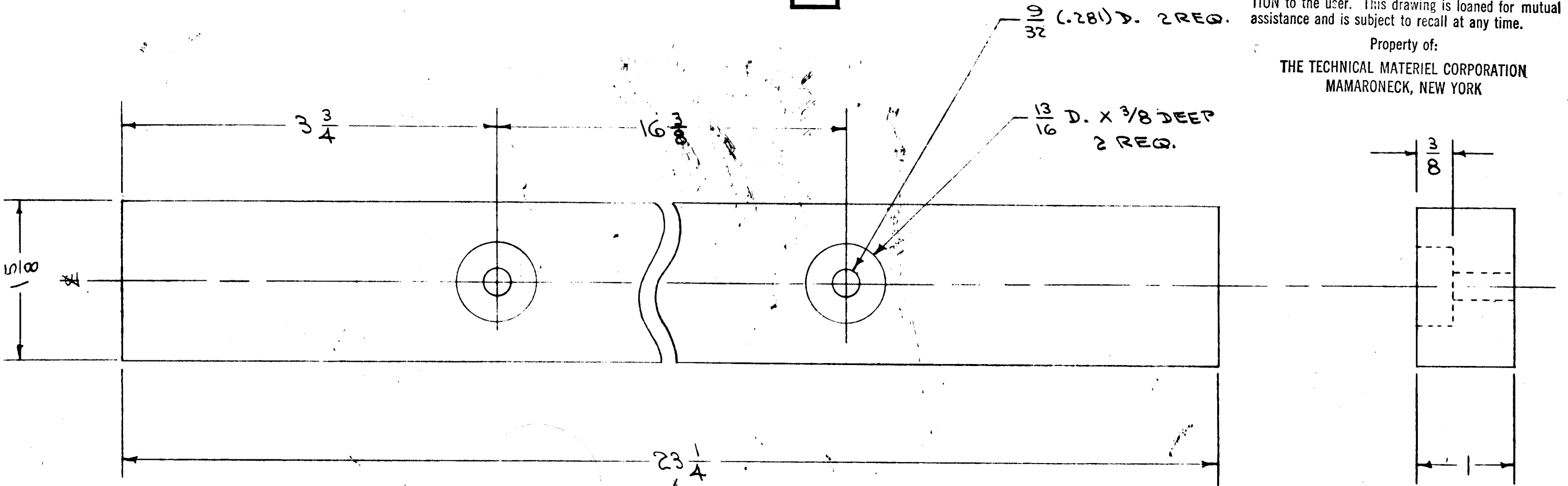
MAXIMUM ALLOWABLE TOLERANCES HAVE BEEN DETER-
 MINED AND DEVIATIONS WILL BE CAUSE FOR REJECTION.
 REMOVE ALL BURRS AND SHARP EDGES

WD-120

NOTICE TO PERSONS RECEIVING THIS DRAWING

THE TECHNICAL MATERIEL CORPORATION claims
 proprietary right in the material disclosed hereon.
 This drawing is issued in confidence for engineering
 information only and may not be reproduced or used
 to manufacture anything shown hereon without per-
 mission from THE TECHNICAL MATERIEL CORPORA-
 TION to the user. This drawing is loaned for mutual
 assistance and is subject to recall at any time.

Property of:
 THE TECHNICAL MATERIEL CORPORATION
 MAMARONECK, NEW YORK



REQ.	ITEM	PART NO.	DESCRIPTION	SYMBOL
		1x15/8x23 1/4	THE TECHNICAL MATERIEL CORP. MAMARONECK, NEW YORK	
		WOOD	BASE, MOUNTING	
		OAK	CTAC	
			CDD. 7-1-54	
			DRAWN	
			CHECKED	
			FINAL APPROVAL	
				WD-120

ITEM	CHANGED FROM	DATE	CN. NO.	DRAFTS	CHECKER	ENG. APP.
TOLERANCES						
SCALE: $\frac{1}{4}$						
DRILL, PUNCH, COMMERCIAL STOCK SIZES AND MANUFACTURERS TOLERANCES ARE NOT INCLUDED.						

REQ. PER UNIT	MODEL	PROJECT NO.	ASS'Y. NO.	DATE
2	CTAC	311	A-799	7-1-54
USED ON				