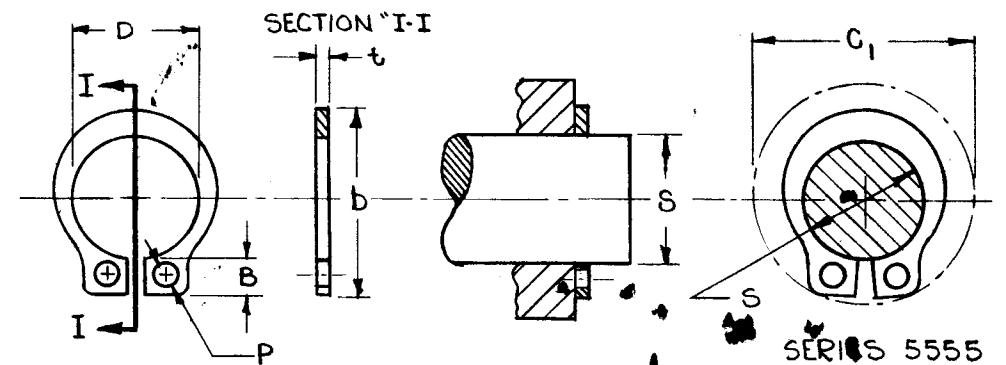


B

THE CONTENTS OF THIS DRAWING ARE THE EXCLUSIVE PROPERTY OF THE TECHNICAL MATERIEL CORP. ITS UNAUTHORIZED USE OR REPRODUCTION IN WHOLE OR IN PART IS STRICTLY FORBIDDEN.

WA-138

TMC PART NO.	MFG. PART NO.	SHAFT DIAMETER				RING DIMENSIONS								APPLICATION DATA			
		DECIMAL EQUIV. INCH		APPROX. FRACT. EQUIV. INCH	APPROX. mm	FREE. DIA.		THICKNESS		RING HEIGHT	LUG		HOLE		CLEARANCE (WHEN SPRUNG OVER SHAFT S)	APPROX. MAXIMUM ALLOWABLE THRUST LOAD LBS.	SAFE ROTATIONAL SPEEDS
		S				D	tol.	t	tol.	b (REF.)	B	tol.	P	tol.	C ₁	P _r	RPM
SIZE - NO.	FROM	TO	S	S	D	tol.	t	tol.	b (REF.)	B	tol.	P	tol.	C ₁	P _r	RPM	
WA-138-1	5555 - 18	.185	.189	3/16	4.8	.181	+0.002 -0.004	.035	±.003	.364	.097	±.003	.051	+0.010 -0.002	.44	25	OVER 80,000
WA-138-2	5555 - 25	.248	.252	1/4	6.3	.238	+0.002 -0.004	.035	±.003	.437	.097	±.003	.051	+0.010 -0.002	.49	35	77,000
WA-138-3	5555 - 37	.373	.379	3/8	9.5	.354	+0.003 -0.005	.042	±.003	.588	.118	±.008	.059	±.008	.64	50	53,000
WA-138-4	5555 - 50	.497	.503	1/2	12.7	.470	+0.004 -0.008	.050	±.003	.768	.158	±.004	.078	+0.015 -0.002	.90	65	40,000
WA-138-5	5555-12	.123	.127	1/8	3.2	.120	+0.002 -0.003	.025	±.002	.268	.078	±.003	.042	+0.010 -0.002	.33	20	8000



REF: WALDES KOHINOOR, TRUARC DIVISION

REQ. ITEM	PART NO.	STROMER DESCRIPTION	SYMBOL
		THE TECHNICAL MATERIEL CORP, MAMARONECK, NEW YORK	
		RING, RETAINING, EXTERNAL	
		MATERIAL	
		STAINLESS STEEL	
		TYPE & TEMPER	
		HEAT TREAT. SPEC.	
		DRAWN	
		CHECKED	
		FINAL APPROVAL	
		WA-138	B
		FINISH & SPEC. NO.	
		REC. DES. APP. MECH. DES. APP.	

B	WA-138-5 ADDED	6-22-65	14259	DVK	805	X
A	WA-138-3 & WA-138-4 ADDED TO CHART	10/9/63	10154	MD	MPT	WAB
SYM	DESCRIPTION	DATE	CH. NO.	DRAFTS	CHECKER	ENG. APP.
UNLESS OTHERWISE SPECIFIED:		SCALE:				
DIMENSIONS ARE IN INCHES		MAXIMUM ALLOWABLE TOLERANCES HAVE BEEN DETERMINED AND ANY DEVIATIONS WILL BE CAUSE FOR REJECTION. REMOVE ALL BURRS AND SHARP EDGES				
TOLERANCES ON FRACTIONS ± 1/64 DECIMALS ± .005 ANGLES ± 1/2°		REQ. PER UNIT				
		GPR-92		1-25-63		
		MODEL		SECTION		
		ASS'Y. NO.		DATE		
		USED ON				