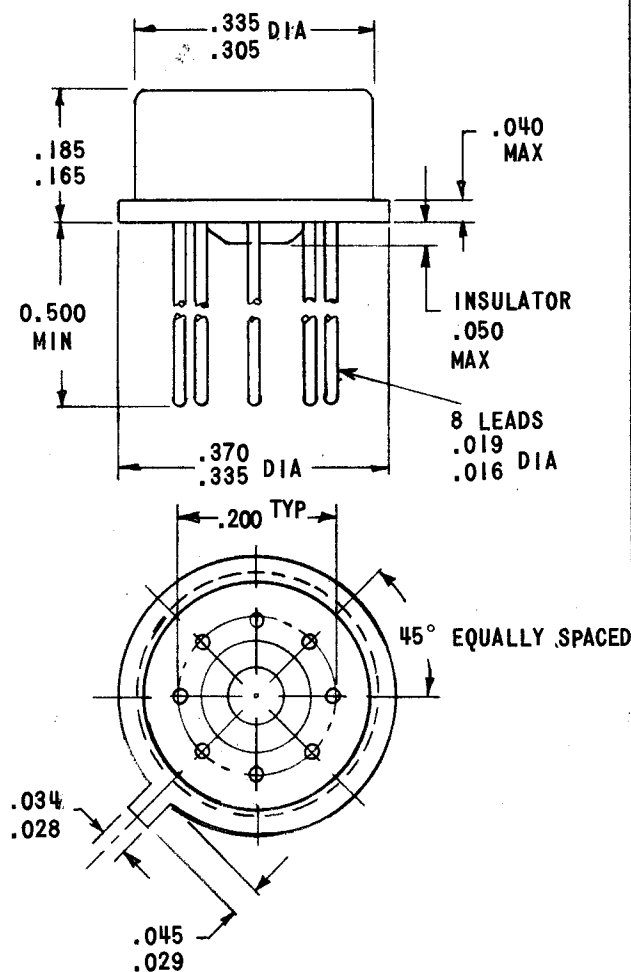


REVISIONS						
ZONE	LTR	DESCRIPTION	DATE	E.M.N.NO	DRAFT	CHKD APPD
	X	EXPERIMENTAL RELEASE	8/16/68		C.V.	<i>[Signature]</i>
	Ø	ORIG. RELEASE FOR PROD	11/13/68	Ø	R.G.	<i>[Signature]</i>

PHYSICAL DIMENSIONS



ELECTRICAL CHARACTERISTICS					
PARAMETER	CONDITIONS	MINIMUM	TYPICAL	MAXIMUM	UNITS
INPUT VOLTAGE RANGE		8.5		40	V
OUTPUT VOLTAGE RANGE		2.0		30	V
OUTPUT-INPUT VOLTAGE DIFFERENTIAL		3.0		30	V
LOAD REGULATION	$R_{sc} = 0, I_o < 12\text{mA}$		0.1	0.5	%
LINE REGULATION	$V_{in} - V_{out} < 5\text{V}$		0.1	0.2	%/V
	$V_{in} - V_{out} < 5\text{V}$		0.05	0.1	%/V
TEMPERATURE STABILITY	$0^\circ\text{C} < T_a < 70^\circ\text{C}$		0.3	1.0	%
FEEDBACK SENSE VOLTAGE			1.8		V
OUTPUT NOISE VOLTAGE	$10\text{Hz} < f < 10\text{kHz}$ $C_{ref} = 0$		0.005		%
	$C_{ref} = 0.1\mu\text{F}$		0.002		%
LONG TERM STABILITY			0.1	1.0	%
STANDBY CURRENT DRAIN	$V_{in} = 40\text{V}$		1.0	3.0	mA
MINIMUM LOAD CURRENT	$V_{in} - V_{out} = 30\text{V}$		1.5	3.0	mA

SPECIFICATIONS

INPUT VOLTAGE: 40V
 INPUT-OUTPUT VOLTAGE DIFFERENTIAL: 40V
 POWER DISSIPATION : 400mW
 OPERATING TEMP. RANGE: 0°C TO 70°C
 STORAGE TEMP. RANGE: -65°C TO +150°C
 LEAD TEMP. (SOLDERING, 60 SEC): 300°C

REQ'D	ITEM	PART NUMBER	DESCRIPTION	SYM.	
LIST OF MATERIAL					
			THE TECHNICAL MATERIEL CORP. MAMARONECK, NEW YORK		
			VOLTAGE REGULATOR (SEMI-COND, DEVICE)		
		SIZE	CODE IDENT. NO.	DWG NO.	ISSUE
		B	82679	VR 104	Ø
SCALE			SHEET	OF	

UNLESS OTHERWISE SPECIFIED DIMENSIONS ARE IN INCHES AND INCLUDE CHEMICALLY APPLIED OR PLATED FINISHES		FINAL APPROVAL <i>[Signature]</i>	DATE 11/13/68
		MECH'D DES. <i>[Signature]</i>	DATE 11/13/68
		ELECT. DES.	DATE
DECIMALS .X ± .05 FRACTIONS 1/64 TOLS. ANGLES 0° -30'		CHECKED <i>[Signature]</i>	DATE 5/12/68
		DRAWN <i>[Signature]</i>	DATE 8/21/68

QTY / UNIT	MODEL USED ON	ASS'Y NO.
	RTTD-4	
APPLICATION		
	CODE	S401-470 (LM200)

NOTICE TO PERSONS RECEIVING THIS DRAWING
 THE TECHNICAL MATERIEL CORPORATION claims proprietary right in the material disclosed hereon. This drawing is issued in confidence for engineering information only and may not be reproduced or used to manufacture anything shown hereon without permission from THE TECHNICAL MATERIEL CORPORATION to the user. This drawing is loaned for mutual assistance and is subject to recall at any time.