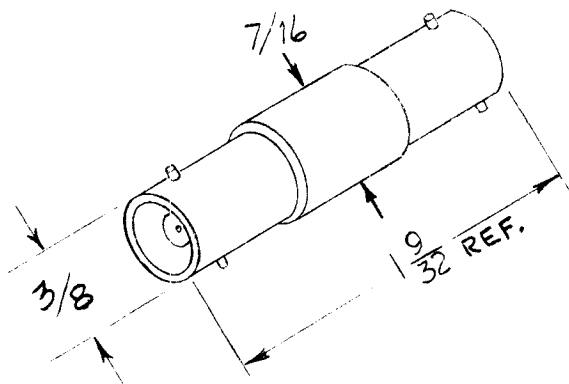


REQ. PER. UNIT	USED ON			UG-914/U	A
	MODEL	ASSY. NO.	DATE		
			2-2-61		



WEATHER PROOF : YES
 MAX. VOLTAGE : 500 V MAX.
 5000 V IN HIGH VOLTAGE SERIES

PRACTICAL FREQ LIMIT: IN 50-Ω SYSTEM 10,000 MC/SEC
 DIELECTRIC : TEFLON
 MATERIEL : BRASS
 FINISH : SILVER PLATED

PER. MIL. STD. MS 35184

REQ.	ITEM	PART NO.	DESCRIPTION			SYMBOL					
			THE TECHNICAL MATERIEL CORP.								
			MAMARONECK, NEW YORK								
			ADAPTER, STRAIGHT								
			SERIES BNC								
A			CHG'D 7/16 TO 3/8. ADD 7/16 DIM & MIL STD. NOTE	12-7-66	17411	RME	<i>[Signature]</i>				
ISSUE	ITEM	CHANGED FROM	DATE	CH. NO.	DRAFTS	CHECKER	ENG. APP.				
TOLERANCES			SCALE:								
DEC. DIM. ±			MAXIMUM ALLOWABLE TOLERANCES HAVE BEEN DETERMINED AND ANY DEVIATIONS WILL BE CAUSE FOR REJECTION.								
FRAC. DIM. ±			REMOVE ALL BURRS AND SHARP EDGES								
ANGULAR DIM. ±			FINISH & SPEC. NO.			ELEC. DES. APP		MECH. DES. APP		UG-914/U	
						<i>[Signature]</i>		<i>[Signature]</i>		A	