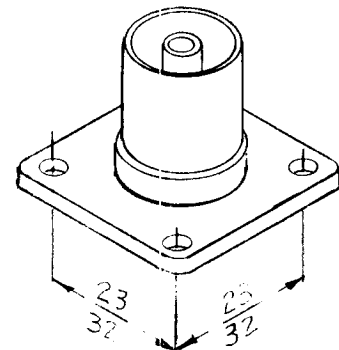
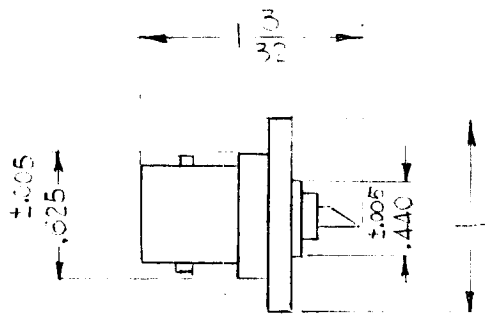


STANDARD DRAWING

THE CONTENTS OF THIS DRAWING ARE THE EXCLUSIVE PROPERTY OF THE TECHNICAL MATERIEL CORP. ITS UNAUTHORIZED USE FOR REPRODUCTION IN WHOLE OR IN PART IS STRICTLY FORBIDDEN.

REQ. PER UNIT	USED ON			UG-568/U	C
	MODEL	ASS'Y. NO.	DATE		
	STANDARD		7-10-63		



— SPECIFICATIONS: —
 SERIES - C BAYONET
 NO. OF CONTACTS - 1
 TYPE OF CONTACT - FEMALE
 DIELECTRIC - TEFLON

— ELECTRICAL DATA: —
 MAX. PEAK OPR. VOLT - 1,000
 FREQ. LIMIT - 10,000 MCS
 NOMINAL IMPEDANCE - 50

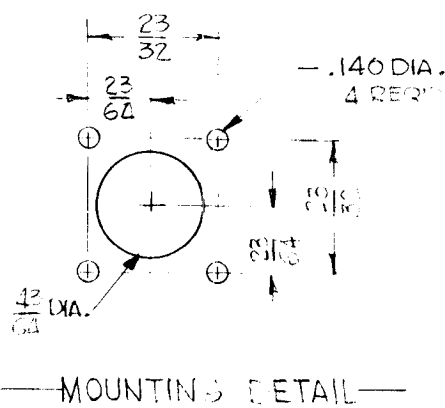
— CABLE ACCOMMODATIONS —
 TYPE - SOLDER CUP

— MATING ACCOMMODATIONS —
 TYPE - C

— MATERIAL —
 EXTERNAL PARTS - MACHINED BRASS
 CONTACT - BERYLLIUM COPPER
 GASKET - NONE

— FINISH —
 EXTERNAL PARTS - SILVER PLATED
 CONTACT - SILVER PLATED (OPTIONAL GOLD FLASH ON SILVER PLATE)
 - PANEL -
 MAX. THICKNESS - NONE

NOTE:
 DIMENSIONS FOR REF. ONLY



REQ.	ITEM	PART NO.	DESCRIPTION	SYMBOL
			THE TECHNICAL MATERIEL CORP. MAMARONECK, NEW YORK	
C			IN SPEC. ADDED NOTE TO CONTACT	
B			REDRAWN & SPEC. ADDED	
SYM				
			STOCK SIZE	
			MATERIAL	
			TYPE & TEMPER	
			HEAT TREAT. SPEC.	
			DRAWN	
			CHECKED	
			FINAL APPROVAL	
			FINISH & SPEC. NO.	
			ELEC. DES. APP.	
			MECH. DES. APP.	
			UG-568/U	C