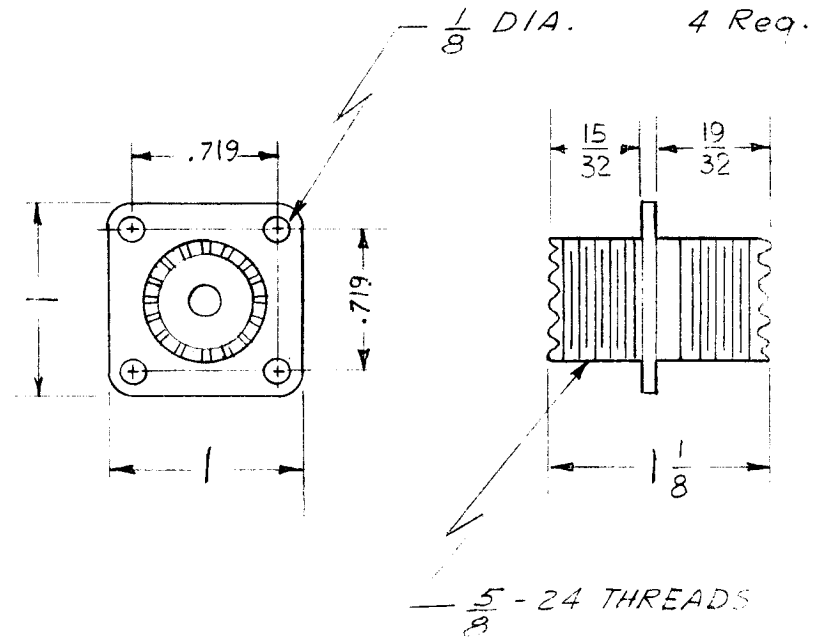


REQ. PER. UNIT	USED ON			UG-307/U
	MODEL	ASS'Y. NO.	DATE	
			6-14-61	

SERIES: UHF (F. TO F.)  
 BODY MATERIAL: BRASS, TINNED COATED  
 CONTACT MATERIAL: BERYLLIUM COPPER,  
 SILVER PLATED  
 DIELECTRIC: COPOLY



							REQ.	ITEM	PART NO.	DESCRIPTION	SYMBOL			
										THE TECHNICAL MATERIEL CORP.				
										MAMARONECK, NEW YORK				
										ADAPTER, CONNECTOR				
										UHF SERIES				
ISSUE	ITEM	CHANGED FROM	DATE	CH. NO.	DRAFTS	CHECKER	ENG. APP.			<i>De Luis</i> DRAWN	<i>WJ</i> CHECKED	<i>E</i> FINAL APPROVAL		
TOLERANCES			SCALE: DO NOT SCALE											
DEC. DIM. ±			MAXIMUM ALLOWABLE TOLERANCES HAVE BEEN DETERMINED AND ANY DEVIATIONS WILL BE CAUSE FOR REJECTION. REMOVE ALL BURRS AND SHARP EDGES				TYPE & TEMPER		HEATTREAT. SPEC.					
FRAC. DIM. ±														
ANGULAR DIM. ±														
							FINISH & SPEC. NO.		ELEC. DES. APP		MECH. DES. APP			
											UG-307/U			