

IF IT IS FOUND DESIRABLE TO CHANGE ANY TOLERANCE OR OTHER DETAIL SPECIFIED ON THIS DRAWING NOTIFY THE PURCHASER PROMPTLY.

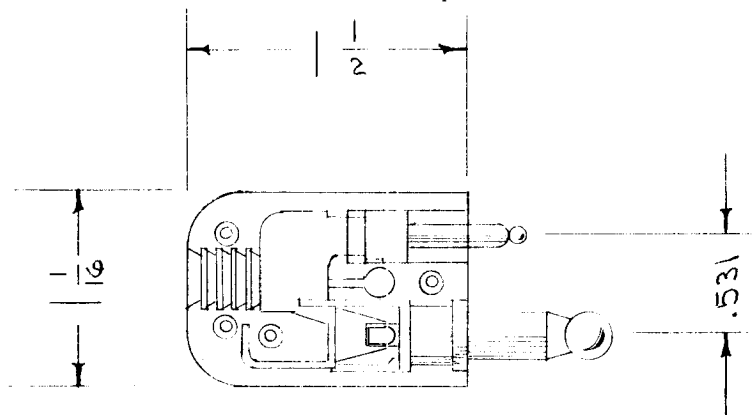
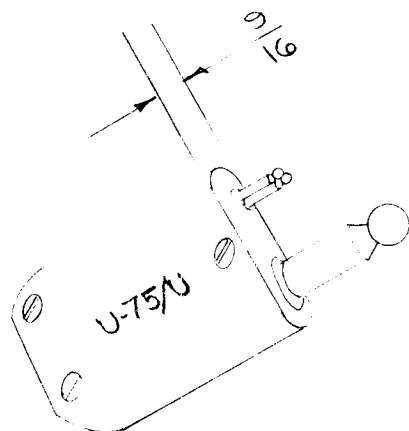
STANDARD DRAWING

U-75/U

MAXIMUM ALLOWABLE TOLERANCES HAVE BEEN DETERMINED AND DEVIATIONS WILL BE CAUSE FOR REJECTION. REMOVE ALL BURRS AND SHARP EDGES

USED ON

MODEL	PROJECT NO.	ASS'Y. NO.	DATE
-------	-------------	------------	------



SHELL - PHENOLIC
PLUGS - NICKEL PLATED

MATING PLUG U-61/U

DIM. FOR REF. ONLY

REQ.	ITEM	PART NO.	DESCRIPTION	SYMBOL
#			THE TECHNICAL MATERIEL CORP. MAMARONECK. NEW YORK	
STOCK SIZE				
#		#	JACK, HEADSET CORD	
MATERIAL		WEIGHT PER PC.		
#				
TYPE & TEMPER			C.D.S. 1-13-54	
#			DRAWN	ELEC. DES. APP.
HEAT TREAT. SPEC.			MECH. DES. APP.	
#			JAD	
FINISH & SPEC. NO.			CHECKED	FINAL APPROVAL
			U75/U	

ISSUE	ITEM	CHANGED FROM	DATE	CN. NO.	DRAFTS	CHECKER	ENG. APP.
-------	------	--------------	------	---------	--------	---------	-----------

TOLERANCES

SCALE

ALL OTHERS
DEC. DIM. ±
FRAC. DIM. ±
ANGULAR DIM. ±

DRILL, PUNCH, COMMERCIAL STOCK SIZES AND MANUFACTURERS TOLERANCES ARE NOT INCLUDED.