

IF IT IS FOUND DESIRABLE TO CHANGE ANY TOLERANCE OR OTHER DETAIL SPECIFIED ON THIS DRAWING NOTIFY THE PURCHASER PROMPTLY.

UG-19B/U UG-22B/U  
UG-22C/U UG-96A/U

MAXIMUM ALLOWABLE TOLERANCES HAVE BEEN DETERMINED AND DEVIATIONS WILL BE CAUSE FOR REJECTION. REMOVE ALL BURRS AND SHARP EDGES

**STANDARD DRAWING**

REQ. PER UNIT

USED ON

MODEL

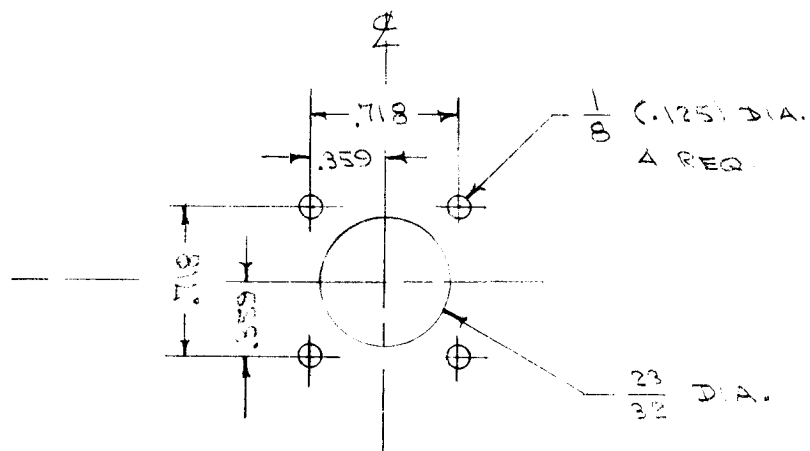
PROJECT NO.

ASS'Y. NO.

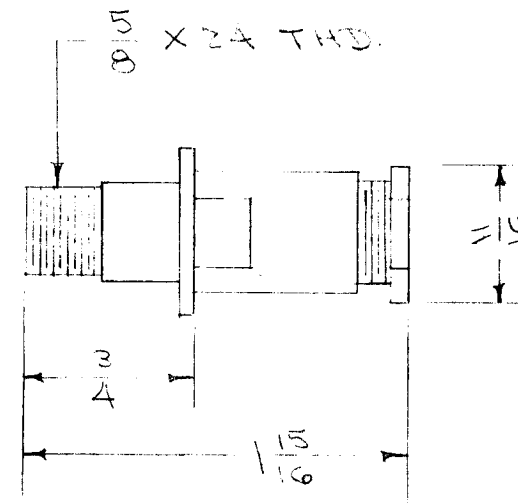
DATE

T.M.C. NO. ARMY & NAVY NUMBER	AMPHENOL NO.	NOM. IMP. 0.4MS	DIELECTRIC MATERIAL	FOR RG-1/U CABLES
UG-19B/U	82-87	50	TEFLON	5, 6, 7
UG-22B/U	82-62	50	"	8, 9, 10, 87, 116
UG-22C/U*	82-95	50	"	8, 9, 10, 87, 116
UG-96A/U	82-90	70	"	11, 12, 13

\*AIR FORCE VERSION OF UG-22B/U



DRILLING PLAN



REF: AMERICAN PHENOLIC CORPORATION (AMPHENOL)

REQ.	ITEM	PART NO.	DESCRIPTION	SYMBOL
			THE TECHNICAL MATERIEL CORP.	
		STOCK SIZE	MAMARONECK. NEW YORK	
			CONNECTOR, RECEPTACLE	
		MATERIAL	SERIES "N"	
		WEIGHT PER PC.		
		TYPE & TEMPER	CDD. 7-19-55	
			DRAWN	ELEC. DES. APP. MECH. DES. APP.
		HEAT TREAT. SPEC.	Checked	FINAL APPROVAL
		FINISH & SPEC. NO.		UG-19B/U UG-22B/U UG-22C/U UG-96A/U

ISSUE	ITEM	CHANGED FROM	DATE	CN. NO.	DRAFTS	CHECKER	ENG. APP.
TOLERANCES			SCALE				
ALL OTHERS	DEC. DIM. ±	FRAC. DIM. ±	DRILL, PUNCH, COMMERCIAL STOCK SIZES AND MANUFACTURERS TOLERANCES ARE NOT INCLUDED.				
	ANGULAR DIM. ±						