

SYMBOL	FUNCTION	OPER. FREQ	USED ON	REQ'D	REQ. PER UNIT	USED ON			TZ-172	B
						MODEL	ASSY. NO.	DATE		
T6004	RING MOD.	250 KC	MCG-1	1	#	SEE CHART		1-2-64		

SPECIFICATIONS

WINDING DATA: #32 WIRE TEST FREQ. 250 Kc

WINDING NO. 1 (PRIMARY)

NOMINAL INDUCTANCE - 2.0 ±20%

NO. OF TURNS - 38T

WINDING NO. 2 (SECONDARY)

NOMINAL INDUCTANCE - 2.0 ±20%

NO. OF TURNS - 38T

COIL FORM DATA:

MATERIAL - FERRITE CUP CORE, BLUE-WHITE

CASE DATA:

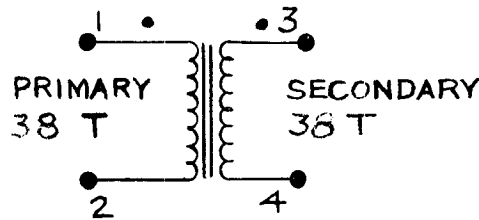
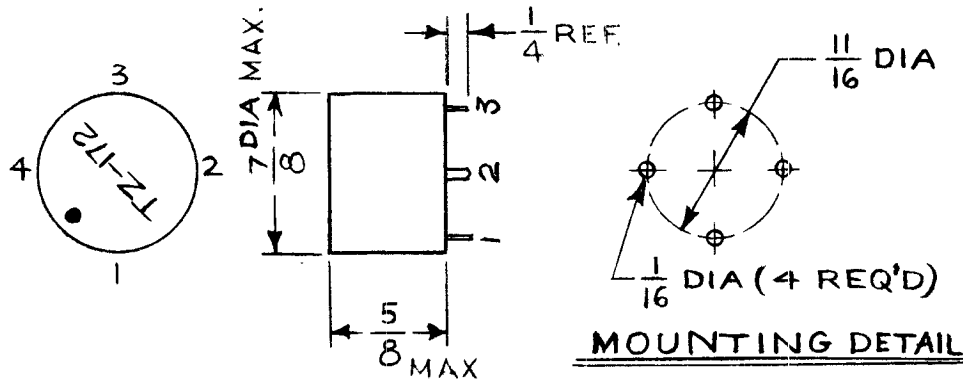
MATERIAL - POTTED

COLOR - BLUE OR BLACK

TERMINAL DATA:

QUANTITY - 4

TYPE - STAKED LUGS



• INDICATE START OF WINDING

SCHEMATIC DIAGRAM

B	MIN. Q30 DEL FROM PRI SEC.	5-17-67	18233	L.A.K.	RHJ	REQ. ITEM	PART NO.	DESCRIPTION	SYMBOL
A	ADDED MAX TO 5/8 & 7/8 DIMS, 1/4 REF DIM WAS 1/8 ± 1/16	6/15/66	16411	JL	RLB		#	THE TECHNICAL MATERIEL CORP. MAMARONECK. NEW YORK	
Ø	ORIGINAL RELEASE FOR PRODUCTION	6/12/64	D	AM	@		#	TRANSFORMER, R.F. FIXED	
XI	2.0 ± 20% MIN Q30 ADDED (2 PLACES) CASE DATA COLOR BLACK ADDED	6/12/64	#	AM	@		#		
SYM	DESCRIPTION	DATE	CH. NO.	DRAFTS	CHECKER	ENG. APP.	MATERIAL		
UNLESS OTHERWISE SPECIFIED DIMENSIONS ARE IN INCHES AND INCLUDE CHEMICALLY APPLIED OR PLATED FINISHES		SCALE		NONE					
DECIMALS .X ± .05 .XX ± .01 .XXX ± .005		FRACTIONS ± 1/64 ANGLES, ± 0° 30'		CODE		4A-3411			
TOLERANCES		A		FINISH & SPEC. NO.		ELEC. DES. APP.		MECH. DES. APP.	
		n. Peter		6/12/64		DRAWN		CHECKED	
		TZ-172		B					