

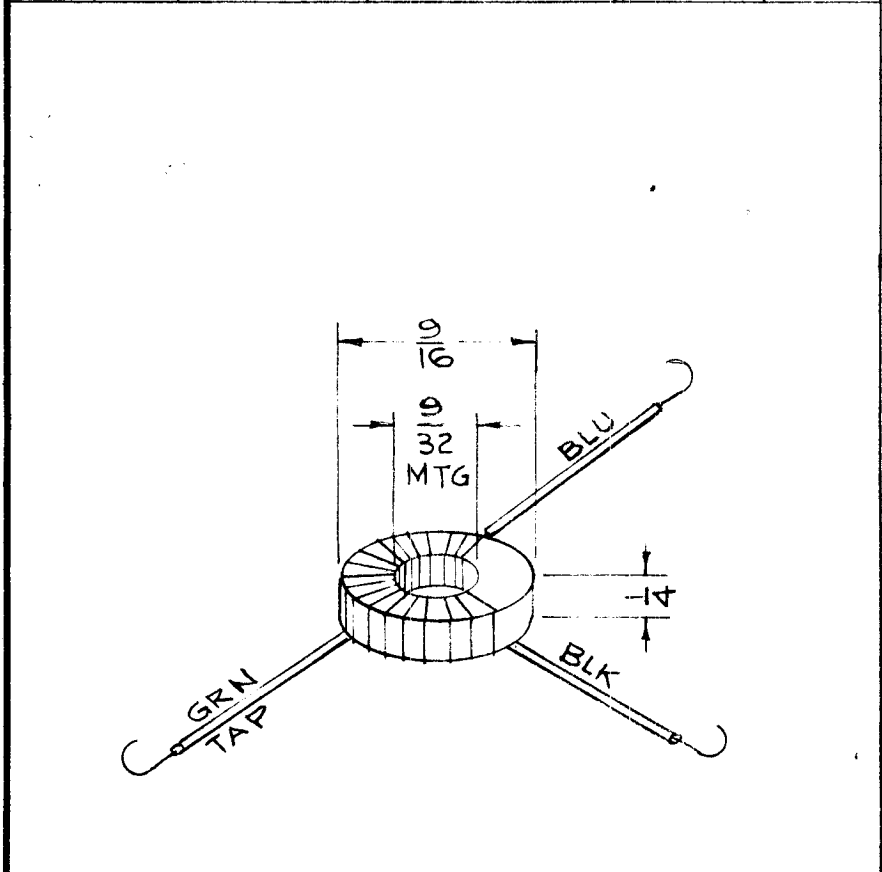
THE CONTENTS OF THIS DRAWING ARE THE EXCLUSIVE PROPERTY OF THE TECHNICAL MATERIEL CORP. ITS UNAUTHORIZED USE FOR REPRODUCTION IN WHOLE OR IN PART IS STRICTLY FORBIDDEN.	REQ. PER UNIT	USED ON		TZ-116	A	
	1	MODEL	ASS'Y. NO.			DATE
		TTR-10	AX-411			5-21-63

SYMBOL	FUNCTION	OPER. FREQ.	USED ON	QUAN.
T1301	IFT Tank	8 to 16 mc.	AX-411	1

SPECIFICATIONS
WINDING DATA: INDUCTANCE: 1.46 ± .05 uhy (BLK-BLU)
:33 ± .05 uhy (BLK-GRN)
Total Turns - 18
Turns At Tap - 6

COIL FORM: Powdered Iron

LEADS: Size 25 Wire, 1-1/2 Long



COLOR CODE

NOTE:
COLORS DENOTE
"TZ" NUMBER IN RETMA
COLOR CODE

						REQ. ITEM	PART NO.	K6414	DESCRIPTION	E 3037-78	SYMBOL
						STOCK SIZE		THE TECHNICAL MATERIEL CORP. MAMARONECK, NEW YORK			
						MATERIAL		TRANSFORMER, R.F., IFT			
								8 - 16 MC.			
A		CLERICAL CHANGE	8.24.64	LB	@			 			
SYM	DESCRIPTION		DATE	CH. NO.	DRAFTS	CHECKER	ENG. APP.				
UNLESS OTHERWISE SPECIFIED DIMENSIONS ARE IN INCHES AND INCLUDE CHEMICALLY APPLIED OR PLATED FINISHES			SCALE			NONE					
DECIMALS .X ± .05 .XX ± .01 .XXX ± .005		TOLERANCES		FRACTIONS ± 1/64 ANGLES ± 0° 30'		CODE	2A-3154				
						TYPE & TEMPER		HEAT TREAT. SPEC.	DRAWN	CHECKED	FINAL APPROVAL
						FINISH & SPEC. NO.		ELEC. DES. APP.	MECH. DES. APP.	TZ-116	A