

THE CONTENTS OF THIS DRAWING ARE THE EXCLUSIVE PROPERTY OF THE TECHNICAL MATERIEL CORP. ITS UNAUTHORIZED USE OR REPRODUCTION IN WHOLE OR IN PART IS STRICTLY FORBIDDEN.

REQ. PER UNIT

USED ON

MODEL

ASS'Y. NO.

DATE

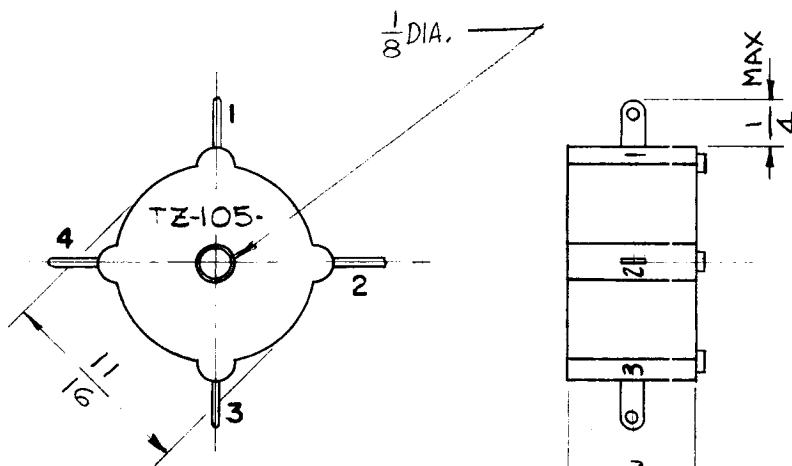
HFS-1

8-17-62

TZ-105

C

TMC PART NO.	IND.	TEST FREQ.	Q UNLOADED	Q TEST FREQ.	Q LOADED	Q LOAD VALUE
TZ-105-1	14.2 μ h $\pm 5\%$	2.5 MC	160-210	3.8 MC	75-95	47 Ω
			170-228	2.9 MC	80-110	
TZ-105-2	13.8 μ h $\pm 5\%$	2.5 MC	152-235	4.25 MC	30-44	47 Ω
			160-225	3.25 MC	33-56	

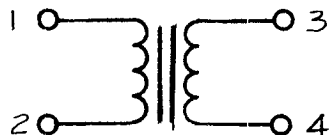


TMC PART NO. (TO BE STAMPED AS PER CHART) LETTERING TO BE 3/32 HIGH GOTHIC.

MECHANICAL SPEC.

EPOXY FILLED BAKELITE CASE.
TERMINAL STYLE OPTIONAL

SCHEMATIC DIAGRAM



REQ.	ITEM	PART NO.	J. STRUMMER DESCRIPTION			SYMBOL	
C	CHG'D Q UNLOADED & UNLOADED -2	8-2-66	16702	RME	THE TECHNICAL MATERIEL CORP. MAMARONECK, NEW YORK		
B	DII 1/4 MAX. WAS 7/32 TERMINAL STYLE NOTE ADD.	8-26-64	12178	LSB	TRANSFORMER, RF		
A	ON CHART, "Q" UNLOADED & "Q" LOADED CLARIFIED	9-24-62	7225	RF			
SYM	DESCRIPTION	DATE	CH. NO.	DRAFTS	CHECKER	ENG. APP.	
UNLESS OTHERWISE SPECIFIED: DIMENSIONS ARE IN INCHES TOLERANCES ON FRAC. $\pm 1/64$ DEC. $\pm .005$ ANGLES $\pm 1/2^\circ$		SCALE: S401-151				W. S.	
MAXIMUM ALLOWABLE TOLERANCES HAVE BEEN DETERMINED AND ANY DEVIATIONS WILL BE CAUSE FOR REJECTION. REMOVE ALL BURRS AND SHARP EDGES		TYPE & TEMPER		HEAT TREAT. SPEC.		DRAWN	CHECKED
		FINISH & SPEC. NO.		ELEC. DES. APP.		MECH. DES. APP.	
						TZ-105	C