

THE CONTENTS OF THIS DRAWING ARE THE EXCLUSIVE PROPERTY OF THE TECHNICAL MATERIEL CORP. ITS UNAUTHORIZED USE OR REPRODUCTION IN WHOLE OR IN PART IS STRICTLY FORBIDDEN.

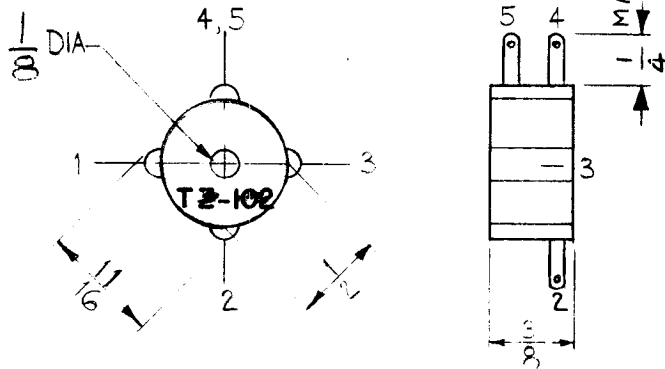
REQ. PER UNIT	USED ON			TZ-102	C
	MODEL	ASS'Y. NO.	DATE		
1	HFS-1		8-17-62		

ELECTRICAL SPEC.

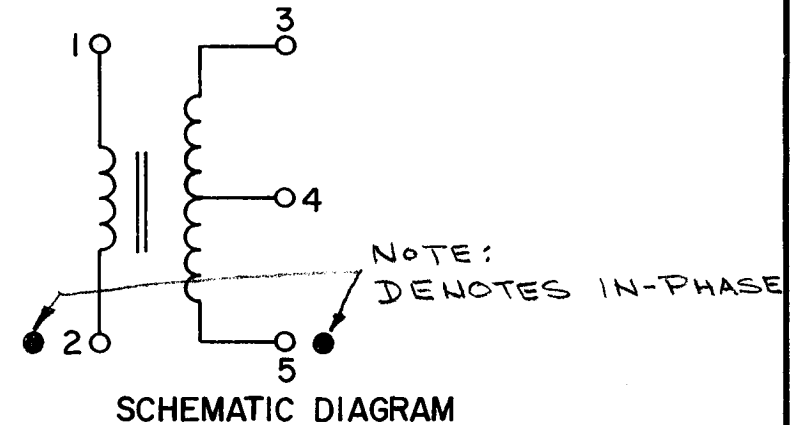
L = 15.0 μ h \pm 5% AT 2.5 MC.
 Q UNLOADED (TERMINALS 1 & 2).
 3.25 MC ~ 160 MIN.
 4.25 MC ~ 160 MIN.
 Q WITH 5K Ω LOAD ACROSS PINS 3 & 5
 3.25 MC ~ 64-70, 4.25 MC ~ 54-67

MECHANICAL SPEC.

EPOXY FILLED BAKELITE CASE.
 SECONDARY TERMINALS 3 & 5 ON SCHEMATIC ARE LOADED WITH 5K OHMS.



LETTERING TO BE 3/32 HIGH GOTHIC.
 TERMINAL STYLE OPTIONAL.



SYM	DESCRIPTION	DATE	CH. NO.	DRAFTS	CHECKER	ENG. APP.	REQ. ITEM	PART NO.	J. STRUMMER DESCRIPTION	SYMBOL						
C	ADDED NOTE "• DENOTES IN PHASE"	4.11.68	18079	MS	JH	CS/10			THE TECHNICAL MATERIEL CORP. MAMARONECK, NEW YORK	TRANSFORMER, RF						
B	DIM. 1/4 MAX ADDED TERMINAL STYLE NOTE ADD.	8.11.64	12098	MB	MP		STOCK SIZE									
A	ON ELECTRICAL SPEC. "Q" LOADED & UNLOADED CLARIFIED	9-24-62	7226	RF	JH											
UNLESS OTHERWISE SPECIFIED:		SCALE: S401-151														
DIMENSIONS ARE IN INCHES		<div style="border: 1px solid black; padding: 2px; display: inline-block;">A</div> MAXIMUM ALLOWABLE TOLERANCES HAVE BEEN DETERMINED AND ANY DEVIATIONS WILL BE CAUSE FOR REJECTION. REMOVE ALL BURRS AND SHARP EDGES					TYPE & TEMPER		HEATTREAT.SPEC.		DRAWN		CHECKED		FINAL APPROVAL	
TOLERANCES ON							FINISH & SPEC. NO.		ELEC. DES. APP.		MECH. DES. APP.		TZ-102		C	
FRAC. \pm 1/64 DEC. \pm .005 ANGLES \pm 1/2°																