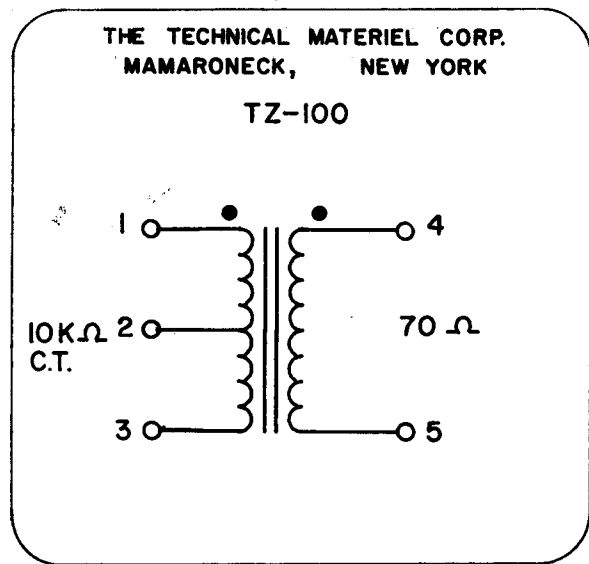


THE CONTENTS OF THIS DRAWING ARE THE EXCLUSIVE PROPERTY OF THE TECHNICAL MATERIEL CORP. ITS UNAUTHORIZED USE OR REPRODUCTION IN WHOLE OR IN PART IS STRICTLY FORBIDDEN.

TZ-100

SCHEMATIC TO APPEAR ON END OPPOSITE TERMINALS

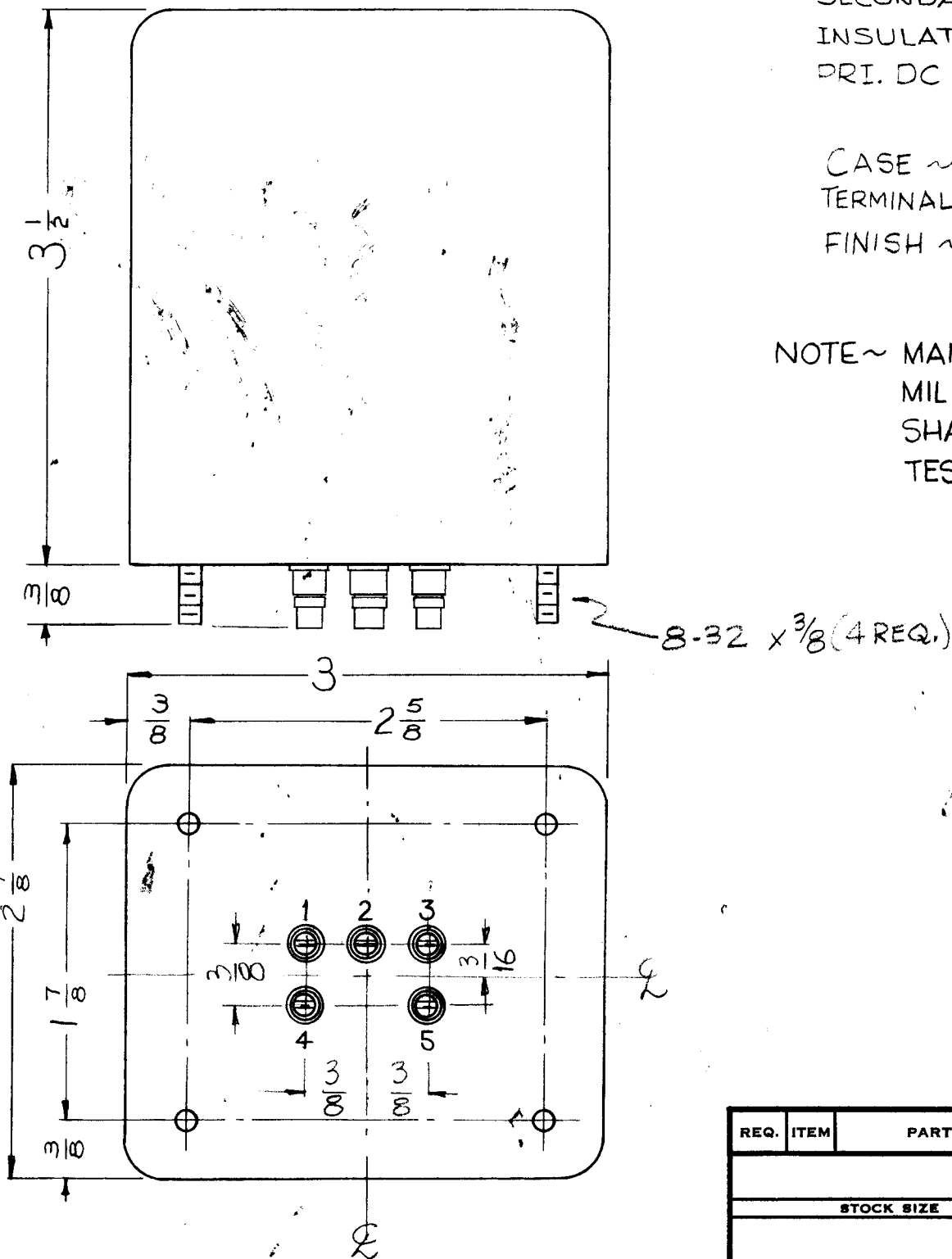
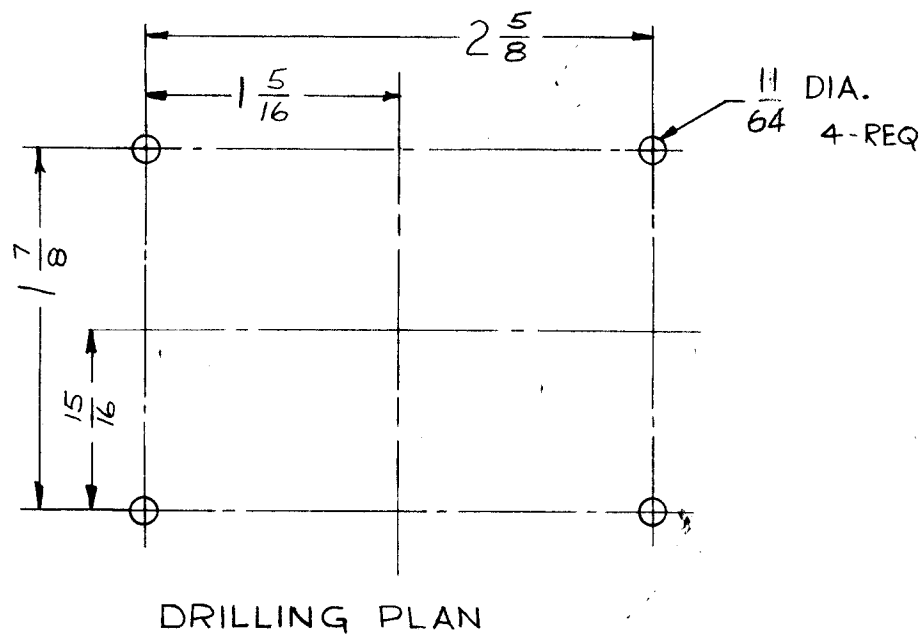


ALL LETTERING BLACK GOTHIC

ELECTRICAL SPECIFICATION
 FREQUENCY ~ 10KC, 50KC WITHIN 3dB
 POWER ~ 15 WATTS
 PRIMARY ~ 10K OHMS
 SECONDARY ~ 70 OHMS
 INSULATION ~ 1500 VOLTS
 PRI. DC CURRENT ~ 100 MA BAL.
MECHANICAL SPECIFICATIONS

CASE ~ STEEL
 TERMINALS ~ TYPE TMC TE-101-1
 FINISH ~ SMOOTH GREY ENAMEL (S115)

NOTE ~ MANUFACTURED IN ACCORDANCE WITH MIL SPEC. T-27-A EXCEPT THAT MIL SPEC. T-27-A SHALL NOT APPEAR ON CASE AND QUALIFICATION TESTING IS NOT REQUIRED.



REQ.	ITEM	PART NO.	O. POSE	DESCRIPTION	SYMBOL
				THE TECHNICAL MATERIEL CORP, MAMARONECK, NEW YORK	
				TRANSFORMER OUTPUT, RF	
				MATERIAL	
			G. SENCEN		
				TYPE & TEMPER	
				HEAT TREAT. SPEC.	
				DRAWN	
				CHECKED	
				FINAL APPROVAL	
				FINISH & SPEC. NO.	
				ELEC. DES. APP.	
				MECH. DES. APP.	
				TZ-100	

SYM	DESCRIPTION	DATE	CH. NO.	DRAFTS	CHECKER	ENG. APP.
	ORIGINAL RELEASE	8/1/69				
	UNLESS OTHERWISE SPECIFIED:					
	DIMENSIONS ARE IN INCHES					
	TOLERANCES ON FRACTIONS ± 1/64 DECIMALS ± .005 ANGLES ± 1/2°					
	SCALE: DO NOT SCALE					
	MAXIMUM ALLOWABLE TOLERANCES HAVE BEEN DETERMINED AND ANY DEVIATIONS WILL BE CAUSE FOR REJECTION. REMOVE ALL BURRS AND SHARP EDGES					
	REQ. PER UNIT					
		LFA-3				4-11-62
		MODEL	SECTION	ASS'Y. NO.	DATE	
		USED ON				