

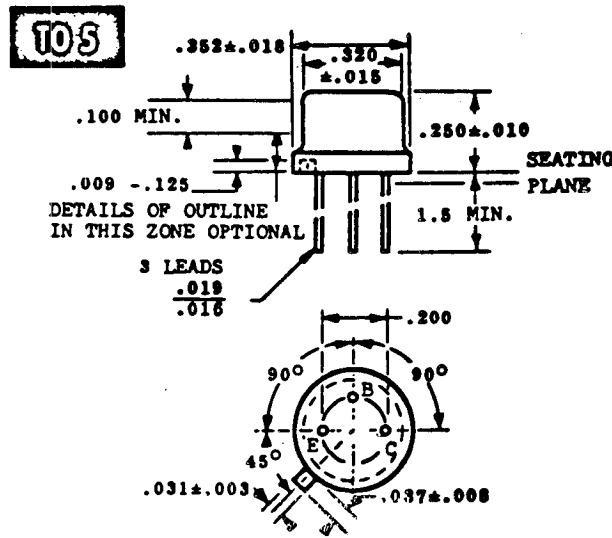
STANDARD DRAWING

REQ. PER UNIT	USED ON			TX106	A
	MODEL	ASS'Y. NO.	DATE		
5	TTR-10		26 Oct 64		

h_{FE} LIMITS 80-150
TEST CONDITIONS

V_{CE} 1V
I_c 10 Ma

TX106 IS A JEDEC TYPE 2N1308 GERMANIUM NPN TRANSISTOR WITH CONTROLLED h_{FE}. THE CASE SHALL BE JEDEC TYPE TOS.



NOTE:
TX106 SHALL BE MARKED ON THE TOP OF THE CASE. "2N1308" SHALL BE MARKED ON THE TOP OR ON THE SIDE, IF OMITTED

SYM	DESCRIPTION	DATE	CH. NO.	DRAFTS	CHECKER	ENG. APP.	REQ. ITEM	PART NO.	DESCRIPTION	SYMBOL	
									THE TECHNICAL MATERIEL CORP. MAMARONECK. NEW YORK		
A	TOP VIEW DELETED; NOTE ADDED.	4.23.64	13371	SS	gfb			STOCK SIZE	TRANSISTOR, GERMANIUM, NPN		
	ORIGINAL FOR USE FOR PRODUCTION	10.27.64	B					MATERIAL	2N1308		
UNLESS OTHERWISE SPECIFIED DIMENSIONS ARE IN INCHES AND INCLUDE CHEMICALLY APPLIED OR PLATED FINISHES							SCALE				
DECIMALS .X ± .05 .XX ± .01 .XXX ± .005							TOLERANCES		CODE C		5401-265
							TYPE & TEMPER		DRAWN		10-27-64
							HEAT TREAT. SPEC.		CHECKED		RL
							FINISH & SPEC. NO.		ELEC. DES. APP.		TX106
									MECH. DES. APP.		A