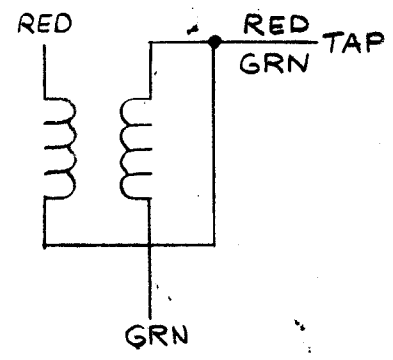


STAMP TMC P/N <sup>3</sup>/<sub>32</sub>  
HIGH BLACK GOTHIC  
AS SHOWN W/LATEST  
REV. LETTER.

ELECTRICAL SPECIFICATIONS

TEST IN Q METER  
SET FREQ @79Kc  
CONNECT 1600 pF ±5% CAP ACROSS CAP TERMINAL  
RED TO TAP L SHOULD READ 36mH ±15 mH  
GREEN TO TAP L SHOULD READ 36mH ±15 mH  
Q FOR BOTH SHOULD BE 20 MIN



REVISIONS						
ZONE	LTR	DESCRIPTION	DATE	E.M.N.NO	DRAFT	CHKD APPD
	X	EXPERIMENTAL RELEASE	1-15-68	+	N.S.	<i>[Signature]</i>
	Ø	ORIG. RELEASE FOR PROD.	3-13-68	Ø	R.G.	<i>[Signature]</i>

NOTES:

- SOLENOID WIND 130 TURNS OF ITEM 1 (BIFILAR). STAKE ENDS WITH ITEM #3 (TAG START OF WINDINGS).
- BAKE FOR 30 MINUTES AT 150°F. REMOVE FROM OVEN AND COAT COIL WITH ITEM #2.
- COAT CORE SURFACE (ITEM #7) WITH ITEM #4.
- ASSEMBLE AS SHOWN.
- STRIP AND TIN LEADS (MINIMUM LENGTH OF 2 INCHES).

REQ'D ITEM	PART NUMBER	DESCRIPTION	SYM.
X 8	BS100	SOLDER, TIN ALLOY	
I 7	CI137-8	CORE, POT ADJUSTABLE TUNING	
I 6	CU158-1	RETAINER, CUP CORE	
I 5	CF135-9	FORM, COIL 2 FLG	
X 4	GL129	ADHESIVE, QUICK SETTING	
X 3	GL103	ADHESIVE-N-CEL	
X 2	GL130	ADHESIVE, Q DOPE	
X 1	WI148-40-25	WIRE, ELEC MAGNET INS.	

O.POSE LIST OF MATERIAL

UNLESS OTHERWISE SPECIFIED DIMENSIONS ARE IN INCHES AND INCLUDE CHEMICALLY APPLIED OR PLATED FINISHES

FINAL APPROVAL <i>[Signature]</i>	DATE 3-13-68	<b>THE TECHNICAL MATERIEL CORP.</b> MAMARONECK, NEW YORK  <b>TRANSFORMER, TUNABLE</b>
MECH. DES.	DATE	
ELECT. DES. <i>[Signature]</i>	DATE 3-13-68	
CHECKED <i>[Signature]</i>	DATE 3-13-68	
DRAWN <i>[Signature]</i>	DATE 1-15-68	SIZE B CODE IDENT. NO. 82679 DWG NO. TT295 SHEET OF 1

I	LFE-1	
QTY / UNIT	MODEL USED ON	ASS'Y NO.
	APPLICATION	
	CODE A	5401-451

NOTICE TO PERSONS RECEIVING THIS DRAWING  
THE TECHNICAL MATERIEL CORPORATION claims proprietary right in the material disclosed hereon. This drawing is issued in confidence for engineering information only and may not be reproduced or used to manufacture anything shown hereon without permission from THE TECHNICAL MATERIEL CORPORATION to the user. This drawing is loaned for mutual assistance and is subject to recall at any time.