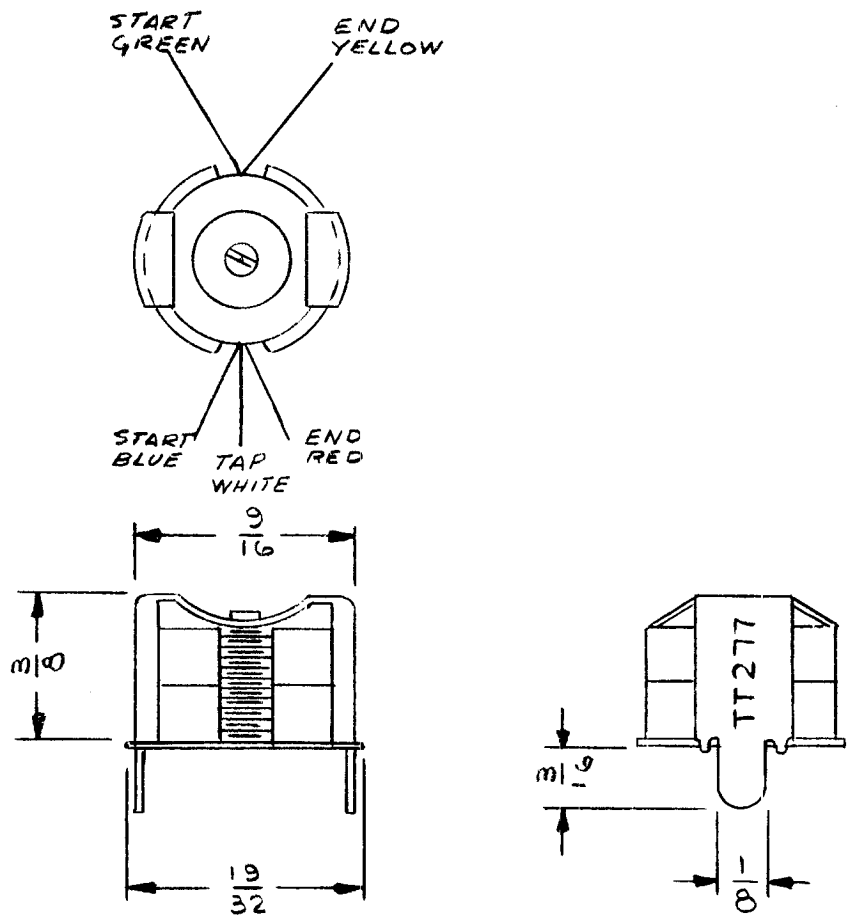


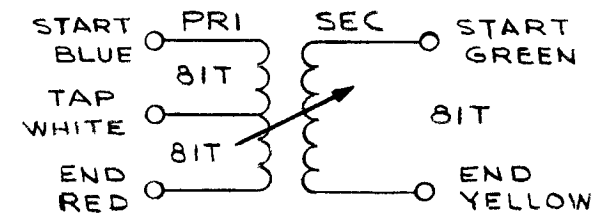
REQ. PER UNIT	USED ON		
	MODEL	ASS'Y. NO.	DATE
1	CDN-3	A4354	2/10/66
1	CDN-3	A4350	2/10/66

TT277 A



ELECTRICAL SPECS.
(WITH SLUG INSERTED)
OPERATING FREQUENCY: 355 kHz
INDUCTANCE @ 250 kHz
PRIMARY: 2.74 mH + & ±.08 mH
SECONDARY: NOT RATED
"Q" (PRIMARY) @ 355 kHz: > 275
MECHANICAL SPEC.

TURNS
PRIMARY: 162 CENTER TAPPED
SECONDARY: 81
RETAINER, BOTTOM: BRASS CAD PLATED
RETAINER, TOP: NICKEL SILVER H/H
MATERIAL:
CORE & SLUG: POWDERED IRON



SCHEMATIC DIAGRAM

SYM	DESCRIPTION	DATE	CH. NO.	DRAFTS	CHECKER	ENG. APP.
A	±.08mH WAS -8	5-23-67	18245			RH
Ø	ORIGINAL RELEASE OR PRODUCTION	2-16-66	Ø			
UNLESS OTHERWISE SPECIFIED DIMENSIONS ARE IN INCHES AND INCLUDE CHEMICALLY APPLIED OR PLATED FINISHES		SCALE				
DECIMALS .X ± .05 .XX ± .01 .XXX ± .005	TOLERANCES	FRACTIONS ± 1/64 ANGLES ± 0° 30'	CODE A	2A4417		

REQ. ITEM	PART NO.	POSE	DESCRIPTION	SYMBOL
—//—			THE TECHNICAL MATERIEL CORP. MAMARONECK, NEW YORK	
	STOCK SIZE		TRANSFORMER, RF, ADJUSTABLE	
—//—				
	MATERIAL			
—//—	—//—	JL	DRAWN	CHECKED
	TYPE & TEMPER	HEAT TREAT. SPEC.	FINAL APPROVAL	
			TT277 A	
	FINISH & SPEC. NO.	ELEC. DES. APP.	MECH. DES. APP.	