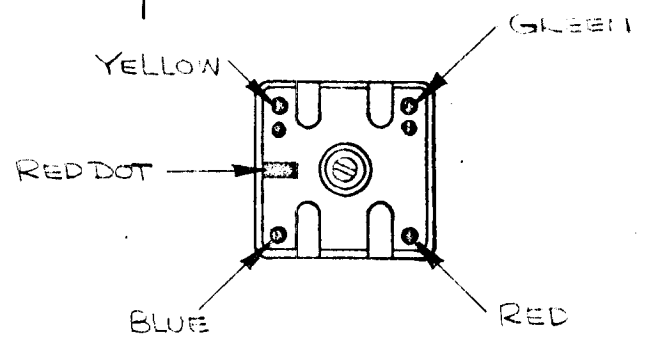
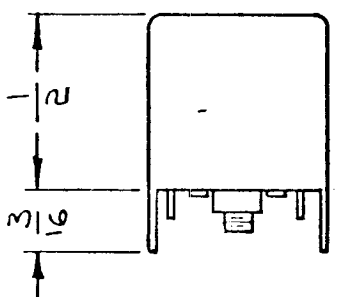
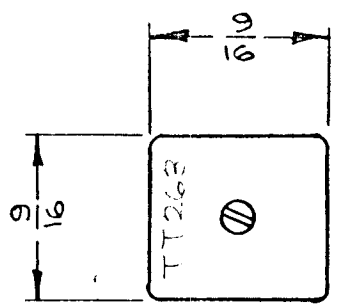
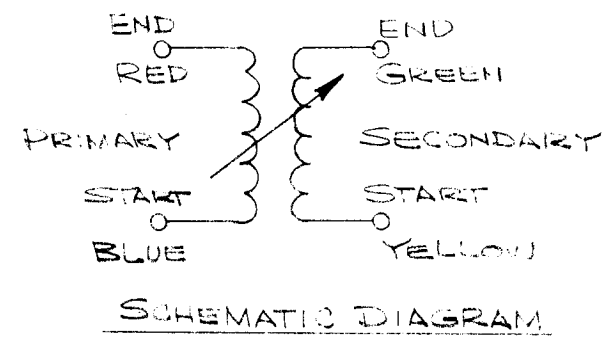


REQ. PER UNIT	USED ON		TT 263	B
	MODEL	ASS'Y. NO.		
1	CMRA-1	A4216	5-11-65	



ELECTRICAL SPECS.
(w/o SLUG)
OPERATING FREQUENCY:
INDUCTANCE @ 1.75 Mc
PRIMARY: $10\mu h \pm 1.0\mu h$
SECONDARY: NOT RATED
"Q" (PRIMARY) @ 1.75 Mc MIN 40

MECHANICAL SPEC.
TURNS
PRIMARY: 70
SECONDARY: 5
COLOR CODE: RED
CASE: COPPER CAN
CASE FINISH: TIN-PLATED
QUANTITY TERM: 4
MATERIAL:
CORE & SLUG: POWDERED IRON



REQ. ITEM	PART NO.	DESCRIPTION	SYMBOL
1	CMRA-1	TRANSFORMER, RF, ADJ.	
STOCK SIZE		THE TECHNICAL MATERIEL CORP. MAMARONECK, NEW YORK	
MATERIAL		SYN-A-TI	
TYPE & TEMPER		DRAWN	CHECKED
HEAT TREAT. SPEC.		FINAL APPROVAL	
FINISH & SPEC. NO.		ELEC. DES. APP.	MECH. DES. APP.

SYM	DESCRIPTION	DATE	CH. NO.	DRAFTS	CHECKER	ENG. APP.
R	TT263 RELOC.	12-30-66	17586	6410	J.P.S.	
A	PRI. IND WAS 10.5uH	7-12-65	17586	6410	J.P.S.	
Ø	OPERATIONAL RELEASE FOR PRODUCTION	5-14-65	X	HLA		
X	EXPER. RELEASE	5-11-65	X	HLA		

UNLESS OTHERWISE SPECIFIED DIMENSIONS ARE IN INCHES AND INCLUDE CHEMICALLY APPLIED OR PLATED FINISHES		SCALE	
DECIMALS X ± .05 XX ± .01 XXX ± .005	TOLERANCES	FRACTIONS ± 1/64 ANGLES, ± 0° 30'	CODE A
		CA 4211	