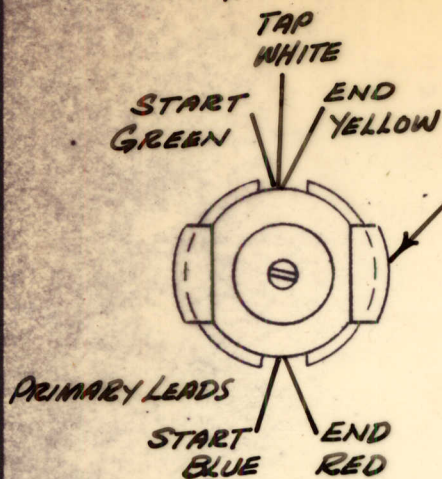
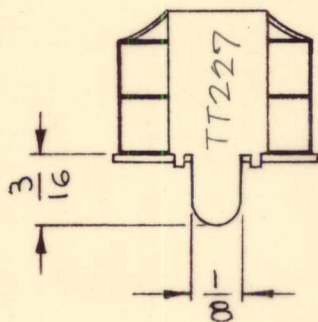
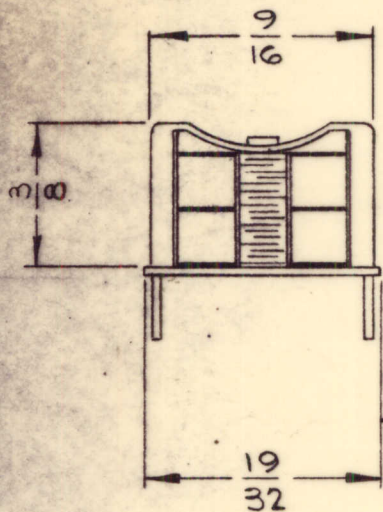


**SECONDARY LEADS**



STAMP TMC PART NO.  
3/32 HIGH GOTHIC  
W/LATEST REV. LETTER

**PRIMARY LEADS**



REQ. PER UNIT	USED ON			TT227	⊘
	MODEL	ASSY. NO.	DATE		
2	LFCA-1	A3718	5-20-65		

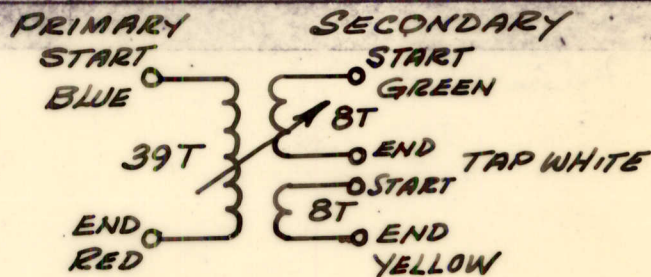
**ELECTRICAL SPECS.  
(WITH SLUG INSERTED)**

OPERATING FREQUENCY:  
INDUCTANCE @ 790 KCS  
PRIMARY: 250 μh + ε - 5 μh  
SECONDARY: NOT RATED  
"Q" (PRIMARY) @ 100 KCS : > 560

**MECHANICAL SPEC.**

URNS  
PRIMARY: 39  
SECONDARY: 8 (BIFILAR)  
RETAINER, BOTTOM: BRASS CAD PLATED  
RETAINER, TOP: NICKEL SILVER H/H

MATERIAL:  
CORE & SLUG: POWDERED IRON



**SCHMATIC DIAGRAM**

REQ.	ITEM	PART NO.	POSE	DESCRIPTION	SYMBOL		
				THE TECHNICAL MATERIEL CORP. MAMARONECK, NEW YORK			
				TRANSFORMER, RF, ADJUSTABLE			
⊘	ORIGINAL RELEASE FOR PRODUCTION	5/21/65	HLA				
SYM	DESCRIPTION	DATE	CH. NO.	DRAFTS	CHECKER	ENG. APP.	
UNLESS OTHERWISE SPECIFIED DIMENSIONS ARE IN INCHES AND INCLUDE CHEMICALLY APPLIED OR PLATED FINISHES			SCALE				
DECIMALS .X ± .05 .XX ± .01 .XXX ± .005	TOLERANCES	FRACTIONS ± 1/64 ANGLES ± 0° 30'	CODE A	2A-3855			
				TYPE & TEMPER	HEAT TREAT. SPEC.		
				FINISH & SPEC. NO.	ELEC. DES. APP.	MECH. DES. APP.	
					HLA	JCB	FINAL APPROVAL
							TT227