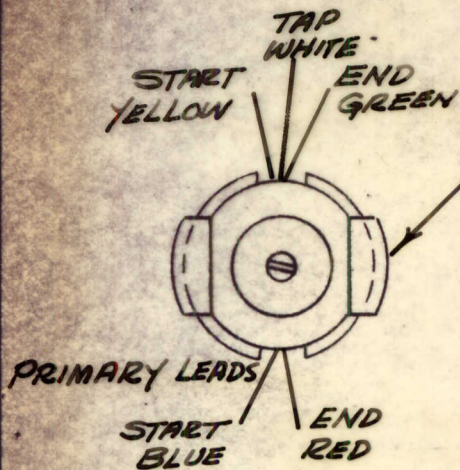
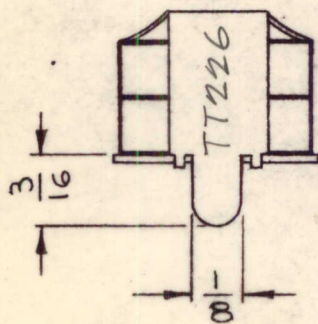
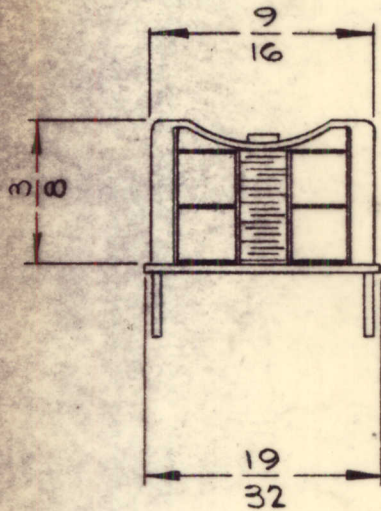


SECONDARY LEADS



STAMP TMC PART NO.
3/32 HIGH GOTHIC
W/LATEST REV. LETTER

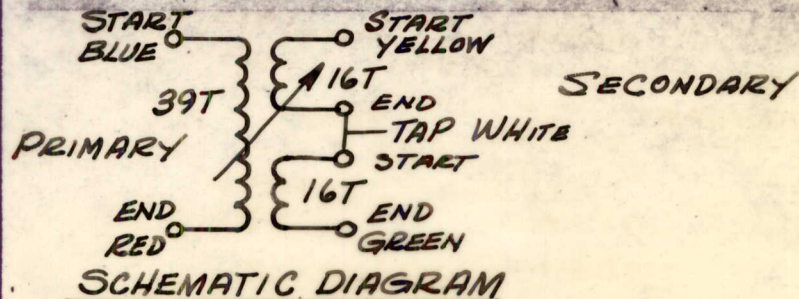


REQ. PER UNIT	USED ON			TT226
	MODEL	ASS'Y. NO.	DATE	
2	LFCA-1	A-3721	5-20-65	

ELECTRICAL SPECS.
(WITH SLUG INSERTED)
OPERATING FREQUENCY:
INDUCTANCE @ 100 KCS
PRIMARY: 315 μ h + ϵ - 8 μ h
SECONDARY: NOT RATED
"Q" (PRIMARY) @ 100 KCS: > 280

MECHANICAL SPEC.
TURNS
PRIMARY: 39
SECONDARY: 16 (BIFILAR)
RETAINER, BOTTOM: BRASS CAD PLATED
RETAINER, TOP: NICKEL SILVER H/H

MATERIAL:
CORE & SLUG: POWDERED IRON



REQ. ITEM	PART NO.	POSE	DESCRIPTION	SYMBOL		
			THE TECHNICAL MATERIEL CORP. MAMARONECK, NEW YORK			
			TRANSFORMER, RF, ADJUSTABLE			
SYM	DESCRIPTION	DATE	CH. NO.	DRAFTS	CHECKER	ENG. APP.
Ø	ORIGINAL RELEASE FOR PRODUCTION.	5/20/65	AA	HCA		
UNLESS OTHERWISE SPECIFIED DIMENSIONS ARE IN INCHES AND INCLUDE CHEMICALLY APPLIED OR PLATED FINISHES		SCALE				
DECIMALS .X ± .05 .XX ± .01 .XXX ± .005	TOLERANCES	FRACTIONS ± 1/64 ANGLES, ± 0° 30'	CODE A	2A-3854		
TYPE & TEMPER		HEAT TREAT. SPEC.	DRAWN	CHECKED	FINAL APPROVAL	
FINISH & SPEC. NO.		ELEC. DES. APP.	MECH. DES. APP.		TT226	