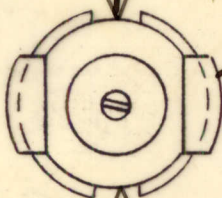


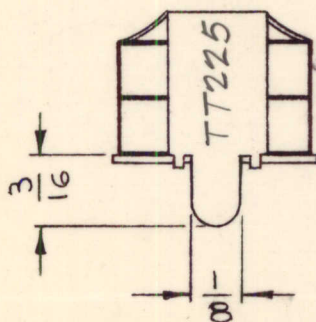
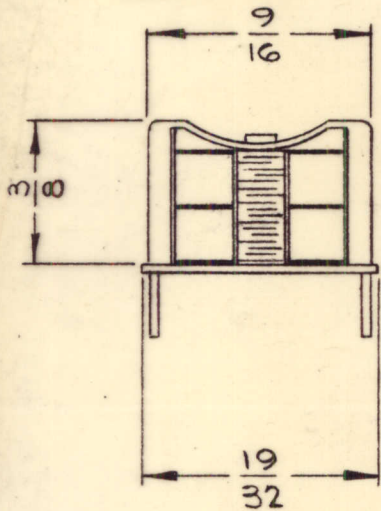
SECONDARY LEADS

TAP WHITE
START YELLOW END GREEN



STAMP TMC PART NO.
3/32 HIGH GOthic
W/LATEST REV. LETTER

START BLUE END RED



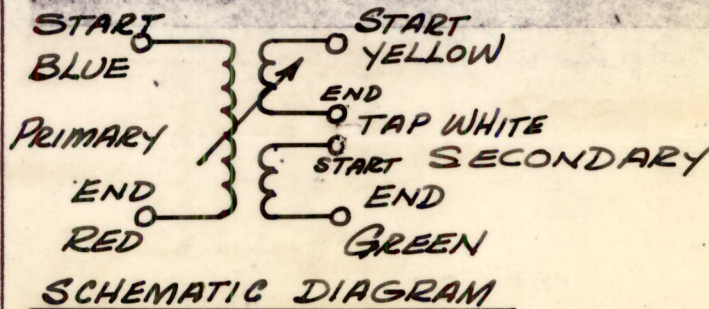
REQ. PER UNIT	USED ON			TT225	Ø
	MODEL	ASS'Y. NO.	DATE		
1	LFCA-1	A3719	5-20-65		

ELECTRICAL SPECS.
(WITH SLUG INSERTED)
OPERATING FREQUENCY:
INDUCTANCE @ 100KC
PRIMARY: 250 μ h + ϕ - 5 μ h
SECONDARY: NOT RATED
"Q" (PRIMARY) @ 100KCS: > 280

MECHANICAL SPEC.

TURNS
PRIMARY: 39
SECONDARY: 32 (BIFILAR)
RETAINER, BOTTOM: BRASS CAD PLATED
RETAINER, TOP: NICKEL SILVER H/H

MATERIAL:
CORE & SLUG: POWDERED IRON



REQ. ITEM	PART NO.	POSE	DESCRIPTION	SYMBOL												
			THE TECHNICAL MATERIEL CORP. MAMARONECK, NEW YORK													
			TRANSFORMER, RF, ADJUSTABLE													
Ø ORIGINAL RELEASE FOR PRODUCTION	5/20/65	MA	HLB													
SYM	DESCRIPTION	DATE	CH. NO.	DRAFTS	CHECKER	ENG. APP.	MATERIAL									
UNLESS OTHERWISE SPECIFIED DIMENSIONS ARE IN INCHES AND INCLUDE CHEMICALLY APPLIED OR PLATED FINISHES							SCALE			H. AUSTIN	ACB	J				
DECIMALS .x ± .05 .XX ± .01 .XXX ± .005							TOLERANCES	FRACTIONS ± 1/64 ANGLES ± 0° 30'	CODE	TYPE & TEMPER			HEAT TREAT. SPEC.	DRAWN	CHECKED	FINAL APPROVAL
							2A-3853	Δ	99B					TT225	Ø	
									FINISH & SPEC. NO.			ELEC. DES. APP.	MECH. DES. APP.			