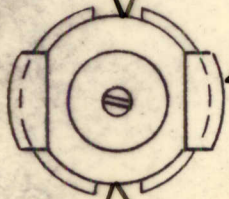


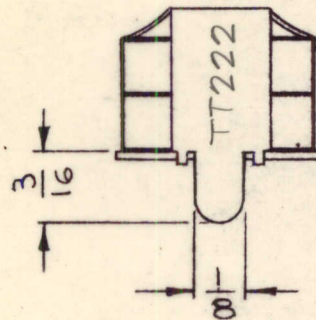
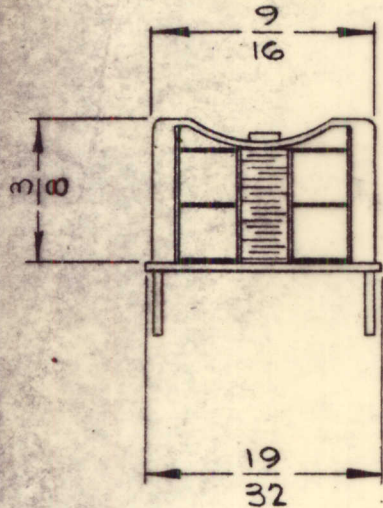
SECONDARY LEADS

START GREEN END YELLOW



STAMP TMC PART NO.
3/32 HIGH GOTHIC
W/LATEST REV. LETTER

START BLUE END RED



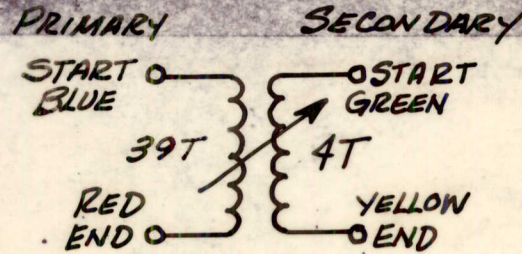
REQ. PER UNIT	USED ON			TT222	⊕
	MODEL	ASSY. NO.	DATE		
2	LFCA-1	A3719	5-20-65		

ELECTRICAL SPECS.
(WITH SLUG INSERTED)

OPERATING FREQUENCY:
INDUCTANCE @ 790 KCS
PRIMARY: 250μh + ε - 5μh
SECONDARY: NOT RATED
"Q" (PRIMARY) @ 100 KCS: > 580

MECHANICAL SPEC.

TURNS
PRIMARY: 39
SECONDARY: 4
RETAINER, BOTTOM: BRASS CAD PLATED
RETAINER, TOP: NICKEL SILVER H/H
MATERIAL:
CORE & SLUG: POWDERED IRON



SCHEMATIC DIAGRAM

				REQ. ITEM	PART NO.	POSE	DESCRIPTION	SYMBOL
				STOCK SIZE		THE TECHNICAL MATERIEL CORP. MAMARONECK, NEW YORK		
				MATERIAL		TRANSFORMER, RF, ADJUSTABLE		
UNLESS OTHERWISE SPECIFIED DIMENSIONS ARE IN INCHES AND INCLUDE CHEMICALLY APPLIED OR PLATED FINISHES				SCALE		H. Austin		
DECIMALS .X ± .05 .XX ± .01 .XXX ± .005				TOLERANCES		DRAWN		
FRACTIONS ± 1/64 ANGLES ± 0° 30'				CODE A		CHECKED		
				2A-3826		FINAL APPROVAL		
						TT222 ⊕		
				FINISH & SPEC. NO.		ELEC. DES. APP. MECH. DES. APP.		