

TMC PART NO.	SYMBOL	FUNCTION	OPER. FREQ.	REQ. PER UNIT	USED ON			TT 200 B
					MODEL	ASS'Y. NO.	DATE	
TT 200	T641		1 MC	1	LFS-1	A 3310		

TRANSFORMER, R.F., TUNED

WINDING DATA:

WINDING NO. 1  
 NOM. IND. = 17.5 ± 10% μH WITH ADJ. CORE OUT.  
 NO. OF TURNS = 68  
 DC RESISTANCE = 1.2 - 1.4

WINDING NO. 2  
 NOM. IND. = NOT RATED  
 NO. OF TURNS = 10  
 NO. OF TAPS = 1  
 NO. OF TURNS TAPPED = 5

COIL FORM DATA:

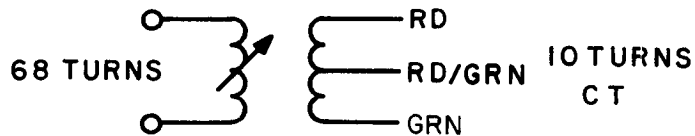
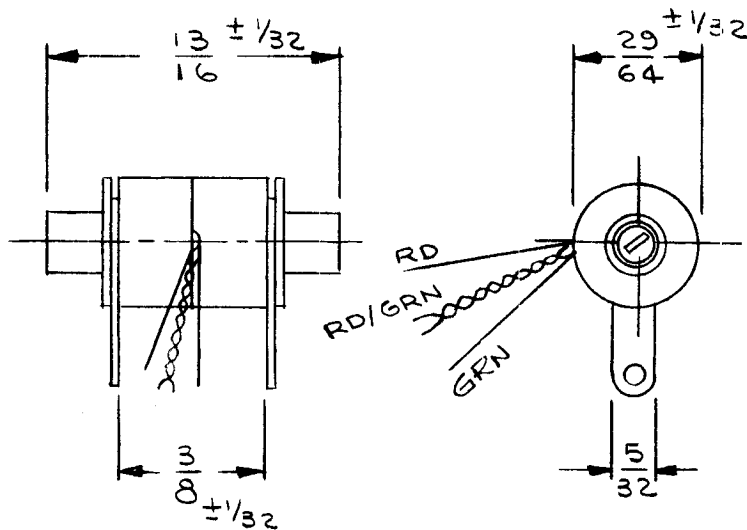
MATERIAL = MYLAR

TUNING DEVICE:

QUANTITY = 1  
 TYPE = ADJUSTABLE FERRITE CORE

TERMINALS :

QUANTITY = 2  
 TYPE = (2) SOLDER LUG  
 (3) 1-1/4" MIN. LEADS



SCHEMATIC DIAGRAM

REQ. ITEM	PART NO.	M. GELLMAN	DESCRIPTION	SYMBOL								
B	CHG RD TO GRN	11/30/71	20434 GE	AD								
A	ON WINDING DATA NOM. IND WAS 17.25 ± 10%	5-17-65	14086 CJL	JL								
Q	ORIGINAL RELEASE FOR PRODUCTION	7-27-64	Q G.D.L.									
SYM	DESCRIPTION	DATE	CH. NO.	DRAFTS	CHECKER	ENG. APP.	MATERIAL					
UNLESS OTHERWISE SPECIFIED DIMENSIONS ARE IN INCHES AND INCLUDE CHEMICALLY APPLIED OR PLATED FINISHES							SCALE	NONE				
DECIMALS .X ± .05 .XX ± .01 .XXX ± .005		TOLERANCES		FRACTIONS ± 1/64 ANGLES ± 0° 30'		CODE	4A 3361					
TYPE & TEMPER							HEAT TREAT. SPEC.	J. LESHINSKI	②	AR		
FINISH & SPEC. NO.							ELEC. DES. APP.	MECH. DES. APP.	TT 200 B			