

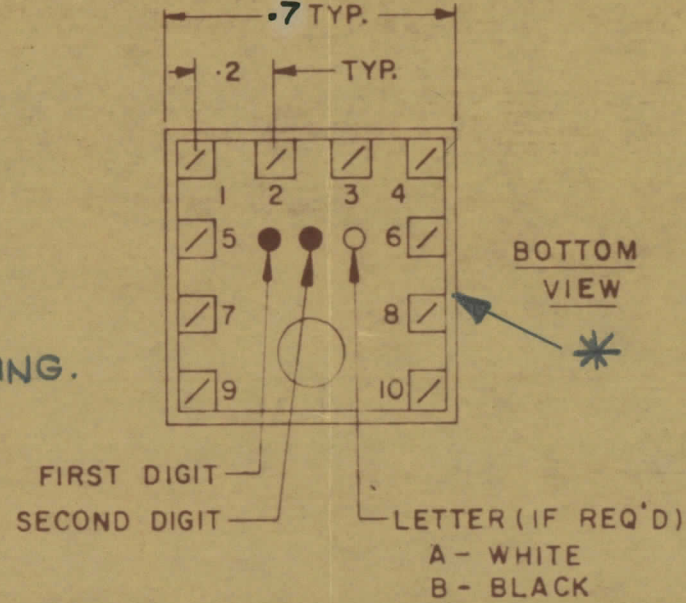
| | | | |
|---------------------------------------|-----------|-------------------------|------------------|
| TOLERANCES UNLESS OTHERWISE SPECIFIED | | SCALE | |
| FR. DIM. | XXX.05 | DRILL HOLE | COMMERCIAL STOCK |
| ANGULAR DIM. | XXX.05 | SIZES AND MANUFACTURERS | |
| TOLERANCES ARE NOT INCLUDED | | | |
| REV. | DATE | BY | CHECKER |
| 0 | MAY 14/68 | AD | JW |
| REL TO PROD | | | |

TT10007-41A

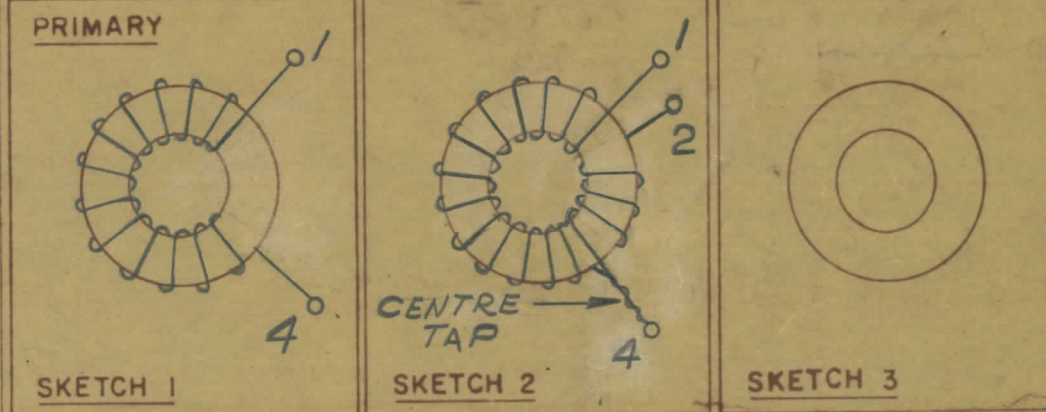
NOTE:-
 1- COLOUR CODE INDICATES LAST TWO DIGITS AND LETTER IN TMC PART NO.
 2- * -INDICATES POSITION OF NAMEPLATE.

ASSEMBLY INSTRUCTIONS:-

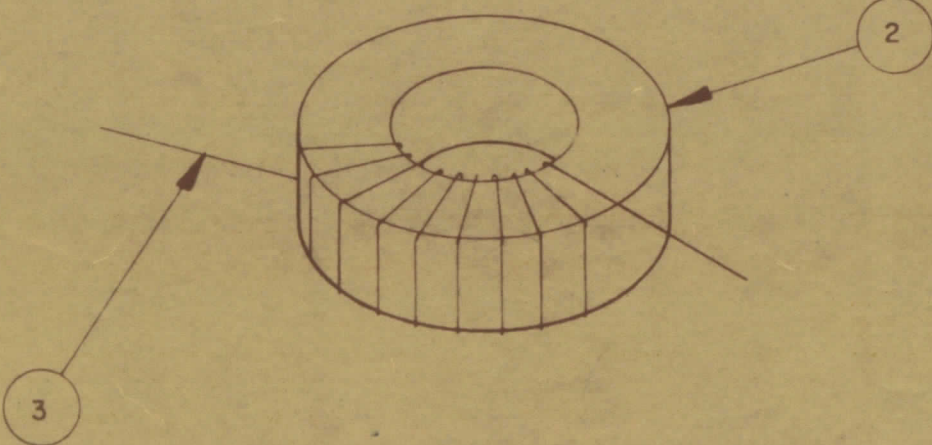
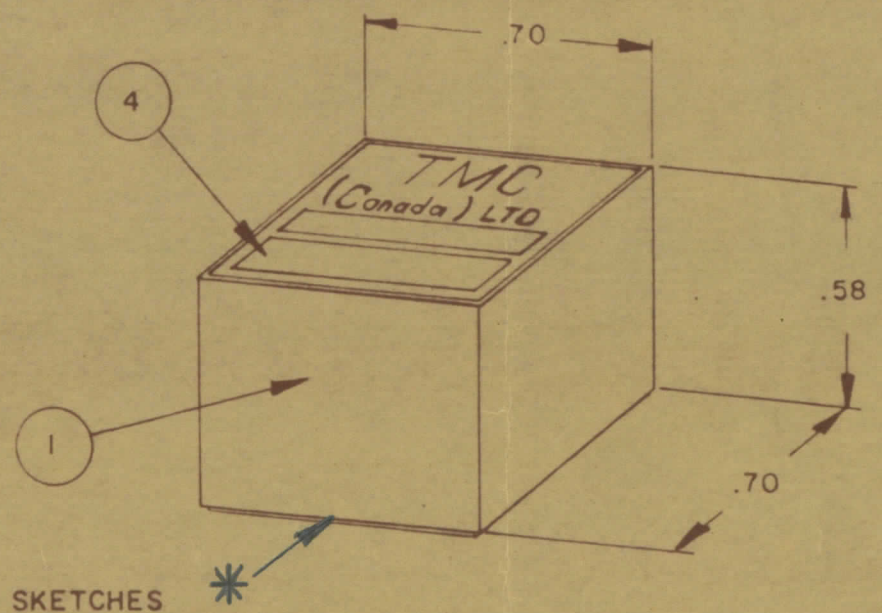
- WIND 15 TURNS OF ITEM 3 AS SHOWN IN SKETCH 1.
- WIND 5 TURNS OF ITEM 3 AS SHOWN IN SKETCH 2.
- WIND _____ TURNS OF ITEM _____ AS SHOWN IN SKETCH 3.
- DIP COIL IN ITEM 5 AND BAKE FOR 1 1/2 HR. AT 125 OF.
- REMOVE 2 TURNS FROM THE PRIMARY IF NECESSARY TO OBTAIN THE FOLLOWING AT TEST FREQ. OF 7.9 MHZ.
 a) INDUCTANCE IN μ H. 1.60 ± 0.1 FOR THE WHOLE WINDING.
 b) Q MINIMUM NO SPEC.
- MAXIMUM NUMBER OF TURNS TO BE REMOVED 3
- MOUNT TRANSFORMER ON BASE & CONNECT WIRES TO CORRESPONDING PINS.
- INSTALL ITEM 7 & _____ BETWEEN PINS 4 & 10.
- INSTALL ITEM _____ & _____ BETWEEN PINS _____ & _____.
- INSTALL ITEM _____ BETWEEN PINS _____ & _____.
- POT TRANSFORMER USING ITEM 6 AS PER SPEC. S 10149.
- COLOUR CODE BOTTOM OF TRANSFORMER _____, _____, _____.
- INSTALL NAMEPLATE _____.



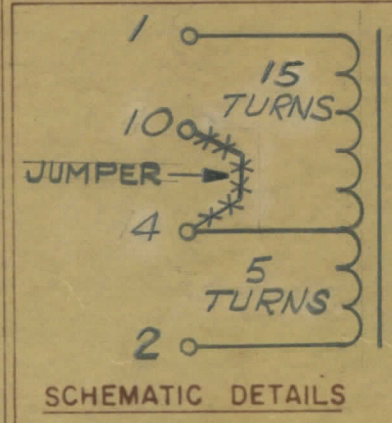
-:DIRECTION OF WINDING TO BE CLOSELY FOLLOWED AS SHOWN IN SKETCHES. ALL LEADS TO BE 1 INCH LONG. TIN LEADS BACK 3/4 INCH.



COLOUR CODE MARKING



TYPICAL FOR ALL SKETCHES



SCHMATIC DETAILS

TMC (Canada) LIMITED
 OTTAWA ONTARIO

TRANSFORMER RF,
 TUNED

AP A.S.
 RPL JW

TT10007-41A

TTRT-4AE 059/68

MAY 13/68

| | |
|---------------------------------------|-----------------------------|
| TOLERANCES UNLESS OTHERWISE SPECIFIED | SCALE |
| FR. DIM. XXX.05 | DRILL HOLE COMMERCIAL STOCK |
| ANGULAR DIM. XXX.05 | SIZES AND MANUFACTURERS |
| | TOLERANCES ARE NOT INCLUDED |

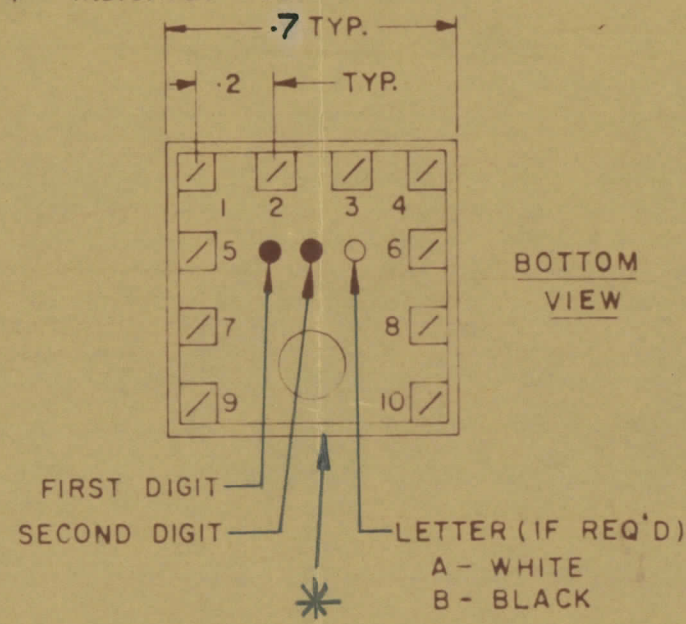
| | | | | | |
|---|--------------|-----------|----|----|--|
| | | | | | |
| 0 | REL TO PROD. | MAY 14/68 | AD | JW | |
| | | | | | |
| | | | | | |
| | | | | | |
| | | | | | |
| | | | | | |
| | | | | | |
| | | | | | |
| | | | | | |

TT10007-42A

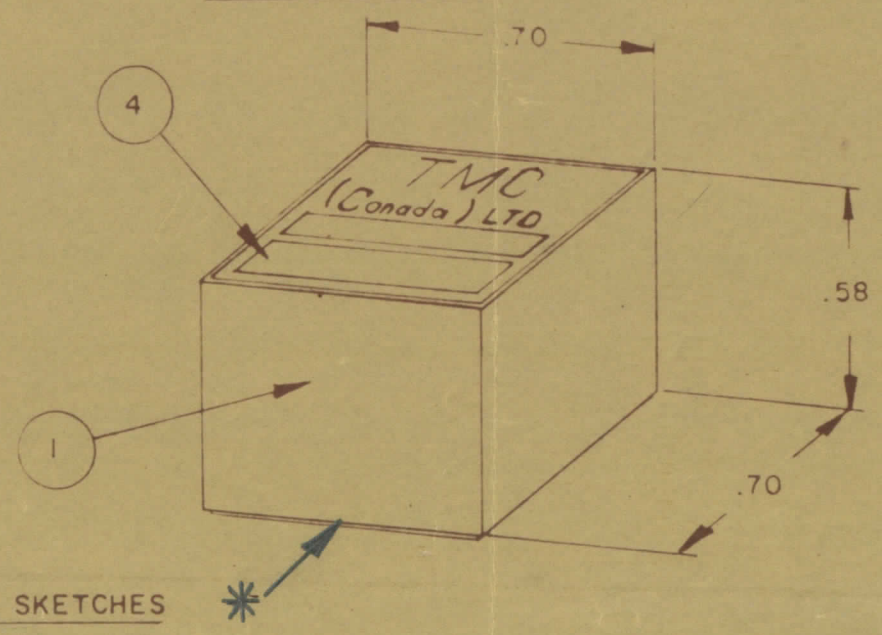
NOTE:-
 1- COLOUR CODE INDICATES LAST TWO DIGITS AND LETTER IN TMC PART NO.
 2- * -INDICATES POSITION OF NAMEPLATE.

ASSEMBLY INSTRUCTIONS:-

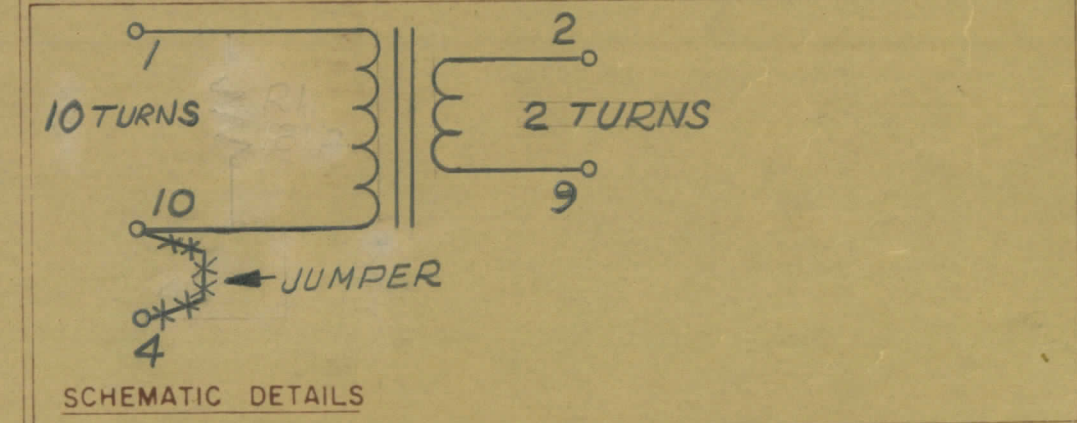
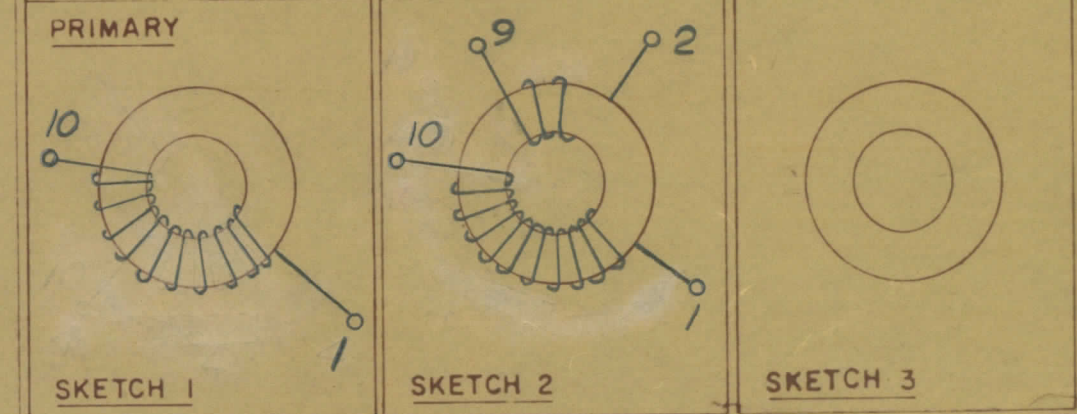
- WIND 10 TURNS OF ITEM 3 AS SHOWN IN SKETCH 1.
- WIND 2 TURNS OF ITEM 3 AS SHOWN IN SKETCH 2.
- WIND _____ TURNS OF ITEM _____ AS SHOWN IN SKETCH 3.
- DIP COIL IN ITEM 5 AND BAKE FOR 1/2 HR. AT 125°F.
- REMOVE 1 TURNS FROM THE PRIMARY IF NECESSARY TO OBTAIN THE FOLLOWING AT TEST FREQ. OF 7.9 MHz.
 - INDUCTANCE IN μH . 1.7 ± 0.1
 - Q MINIMUM 150
- MAXIMUM NUMBER OF TURNS TO BE REMOVED 2
- MOUNT TRANSFORMER ON BASE & CONNECT WIRES TO CORRESPONDING PINS.
- INSTALL ITEM 7 & _____ BETWEEN PINS 10 & 4
- INSTALL ITEM _____ & _____ BETWEEN PINS _____ & _____
- INSTALL ITEM _____ BETWEEN PINS _____ & _____
- POT TRANSFORMER USING ITEM 6 AS PER SPEC. S 10149.
- COLOUR CODE BOTTOM OF TRANSFORMER _____
- INSTALL NAMEPLATE _____



COLOUR CODE MARKING



DIRECTION OF WINDING TO BE CLOSELY FOLLOWED AS SHOWN IN SKETCHES. ALL LEADS TO BE 1 INCH LONG. TIN LEADS BACK 3/4 INCH.



| | | | |
|----|----|-----------------|-------------|
| 1 | 1 | BPI0002-1 | MODU - CON |
| 1 | 2 | CI-10011-1-Q2 | CORE |
| AR | 3 | WI-122-32 | WIRE MAGNET |
| 1 | 4 | NP 10157 | NAMEPLATE |
| AR | 5 | GL 130 | Q-DOPE |
| AR | 6 | GL 10005-3110 H | ENCAPSULANT |
| AR | 7 | WL 100-8 | WIRE, BUSS |
| | 8 | | |
| | 9 | | |
| | 10 | | |
| | 11 | | |
| | 12 | | |

| | |
|----------------------|---------|
| TMC (Canada) LIMITED | |
| TRANSFORMER RF, | |
| TUNED | |
| AP | A.S. JW |
| RPL | |
| TT10007-42-A | |

TTRT-4AE 059/68

MAY 13/68

| | | | | | |
|---|--------------|-----------|----|----|--|
| | | | | | |
| 0 | REL TO PROD. | MAY 14/68 | AD | YW | |
| | | | | | |
| | | | | | |
| | | | | | |
| | | | | | |
| | | | | | |
| | | | | | |
| | | | | | |
| | | | | | |

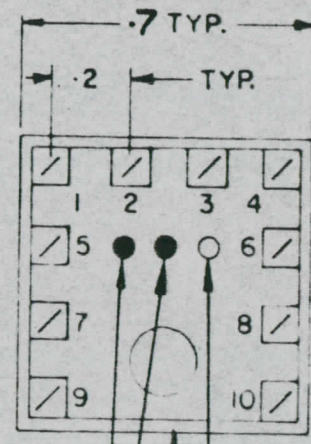
TT10007-42B

| | | | |
|----|----|----------------|-------------|
| | | | |
| 1 | 1 | BPI0002-1 | MODU - CON |
| 1 | 2 | CI-10011-1-Q2 | CORE |
| AR | 3 | WI-122-32 | WIRE MAGNET |
| 1 | 4 | NPI0157 | NAMEPLATE |
| AR | 5 | GL130 | Q-DOPE |
| AR | 6 | GL10005-3110 H | ENCAPSULANT |
| AR | 7 | WL 100-8 | WIRE, BUSS |
| | 8 | | |
| | 9 | | |
| | 10 | | |
| | 11 | | |
| | 12 | | |

NOTE:-
 1- COLOUR CODE INDICATES LAST TWO DIGITS AND LETTER IN TMC PART NO.
 2- * -INDICATES POSITION OF NAMEPLATE.

ASSEMBLY INSTRUCTIONS:-

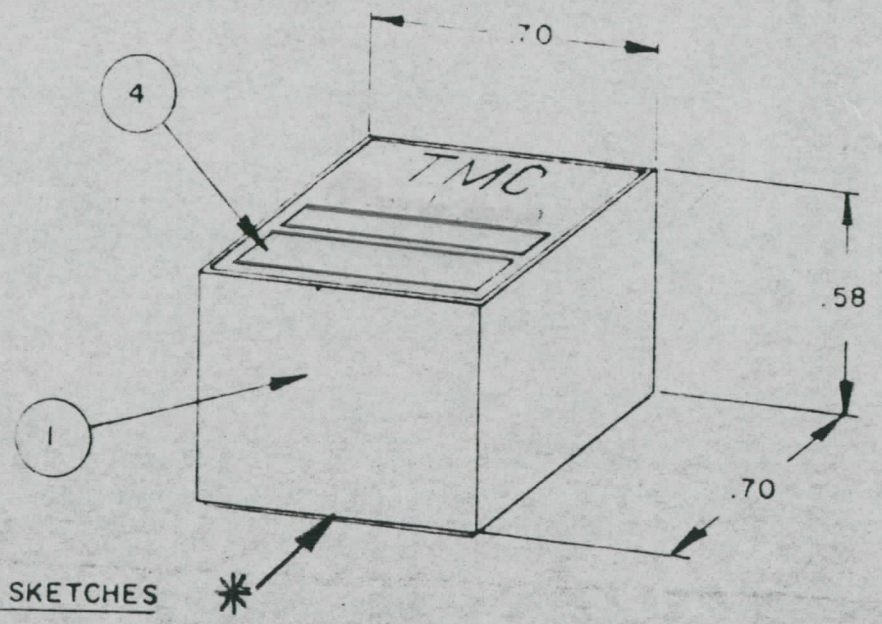
- WIND 7 TURNS OF ITEM 3 AS SHOWN IN SKETCH 1.
- WIND 1.5 TURNS OF ITEM 3 AS SHOWN IN SKETCH 2.
- WIND _____ TURNS OF ITEM _____ AS SHOWN IN SKETCH 3.
- DIP COIL IN ITEM 5 AND BAKE FOR 1/2 HR. AT 125°F.
- REMOVE 1 TURNS FROM THE PRIMARY IF NECESSARY TO OBTAIN THE FOLLOWING AT TEST FREQ. OF 7.9 MHZ
 - INDUCTANCE IN μ H. 1.2 ± 0.1
 - Q MINIMUM _____
- MAXIMUM NUMBER OF TURNS TO BE REMOVED 2
- MOUNT TRANSFORMER ON BASE & CONNECT WIRES TO CORRESPONDING PINS.
- INSTALL ITEM 7 & _____ BETWEEN PINS 10 & 4
- INSTALL ITEM _____ & _____ BETWEEN PINS _____ & _____
- INSTALL ITEM _____ BETWEEN PINS _____ & _____
- POT TRANSFORMER USING ITEM 6 AS PER SPEC. S10149.
- COLOUR CODE BOTTOM OF TRANSFORMER _____
- INSTALL NAMEPLATE _____



BOTTOM VIEW

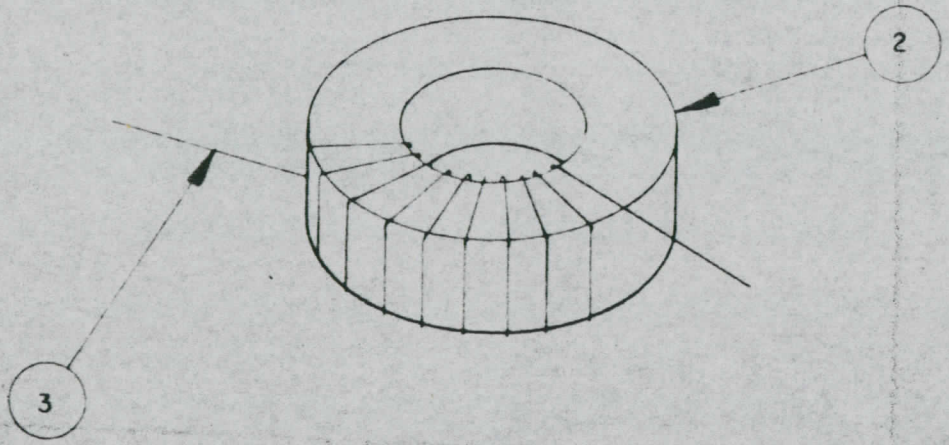
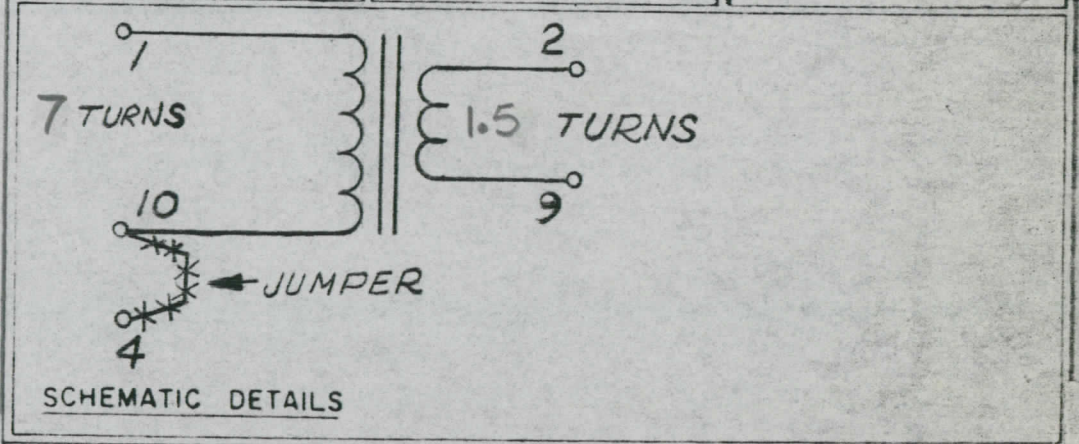
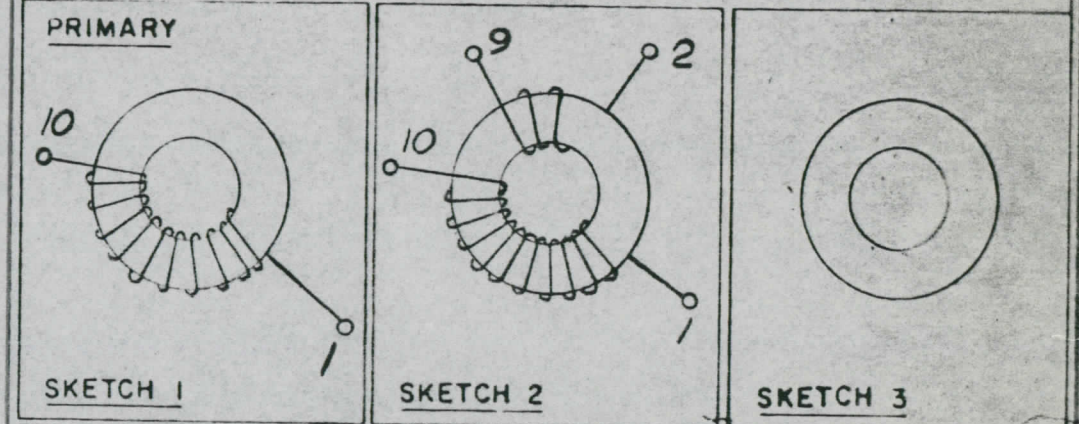
FIRST DIGIT
 SECOND DIGIT
 LETTER (IF REQ'D)
 A - WHITE
 B - BLACK

COLOUR CODE MARKING



TYPICAL FOR ALL SKETCHES *

DIRECTION OF WINDING TO BE CLOSELY FOLLOWED AS SHOWN IN SKETCHES. ALL LEADS TO BE 1 INCH LONG. TIN LEADS BACK 3/4 INCH.



| | |
|----------------------|------|
| TMC (Canada) LIMITED | |
| TRANSFORMER RF, | |
| TUNED | |
| AP | A.S. |
| RPL | |
| TT10007-42-B | |

TTRT-4BE 059/68

MAY 13/68

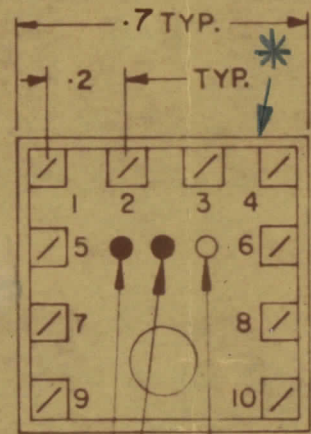
| NO. | ITEM | QUANTITY | DATE | BY | CHKD. | APP. |
|-----|-------------|----------|-----------|----|-------|------|
| 0 | REL TO PROD | | MAY 14/68 | AP | | JW |
| | | | | | | |
| | | | | | | |
| | | | | | | |
| | | | | | | |
| | | | | | | |
| | | | | | | |
| | | | | | | |
| | | | | | | |
| | | | | | | |

TT10007-43A

NOTE:-
 1- COLOUR CODE INDICATES LAST TWO DIGITS AND LETTER IN TMC PART NO.
 2- * -INDICATES POSITION OF NAMEPLATE.

ASSEMBLY INSTRUCTIONS:-

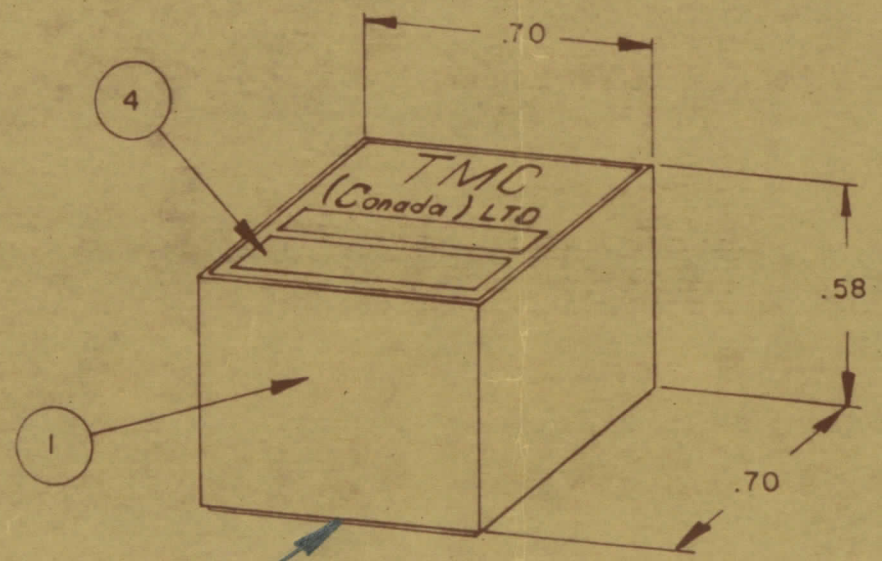
- WIND 20 TURNS OF ITEM 3 AS SHOWN IN SKETCH 1.
- WIND 3 TURNS OF ITEM 3 AS SHOWN IN SKETCH 2.
- WIND _____ TURNS OF ITEM _____ AS SHOWN IN SKETCH 3.
- DIP COIL IN ITEM 5 AND BAKE FOR 1/2 HR. AT 125°F.
- REMOVE 1 TURNS FROM THE PRIMARY IF NECESSARY TO OBTAIN THE FOLLOWING AT TEST FREQ. OF 7.9 MHz.
 - INDUCTANCE IN μ H. 1.80 \pm 0.1
 - Q MINIMUM 110
- MAXIMUM NUMBER OF TURNS TO BE REMOVED 3
- MOUNT TRANSFORMER ON BASE & CONNECT WIRES TO CORRESPONDING PINS.
- INSTALL ITEM 8 & _____ BETWEEN PINS 2 & 10.
- INSTALL ITEM 7 & _____ BETWEEN PINS 4 & 10.
- INSTALL ITEM _____ BETWEEN PINS _____ & _____.
- POT TRANSFORMER USING ITEM 6 AS PER SPEC. S 10149.
- COLOUR CODE BOTTOM OF TRANSFORMER _____.
- INSTALL NAMEPLATE.



BOTTOM VIEW

FIRST DIGIT
 SECOND DIGIT
 LETTER (IF REQ'D)
 A - WHITE
 B - BLACK

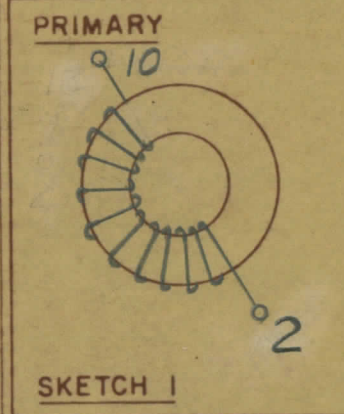
COLOUR CODE MARKING



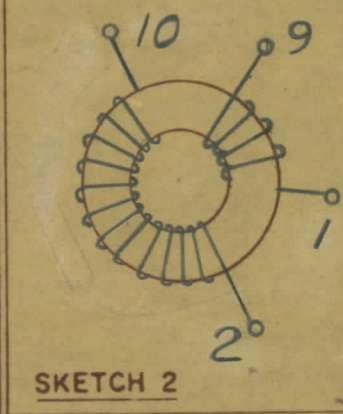
TYPICAL FOR ALL SKETCHES *

| NO. | ITEM | DESCRIPTION | REMARKS | |
|-----|------|----------------|-----------------|----|
| 1 | 1 | BPI0002-1 | MODU - CON | |
| 1 | 2 | CI-127-1 | CORE | |
| AR | 3 | WI-122-32 | WIRE MAGNET | |
| 1 | 4 | NP 10157 | NAMEPLATE | |
| AR | 5 | GL130 | Q-DOPE | |
| AR | 6 | GL10005-3110 H | ENCAPSULANT | |
| AR | 7 | WL100-8 | BUSS WIRE | |
| 1 | 8 | RC07GF333J | RESISTOR, FIXED | RI |
| | 9 | | | |
| | 10 | | | |
| | 11 | | | |
| | 12 | | | |

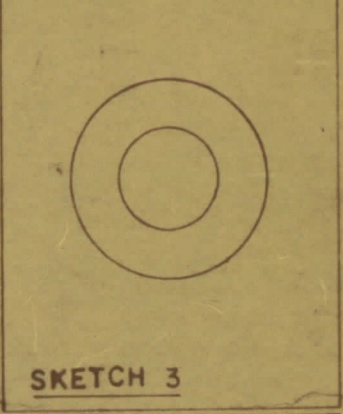
DIRECTION OF WINDING TO BE CLOSELY FOLLOWED AS SHOWN IN SKETCHES. ALL LEADS TO BE 1 INCH LONG. TIN LEADS BACK 3/4 INCH.



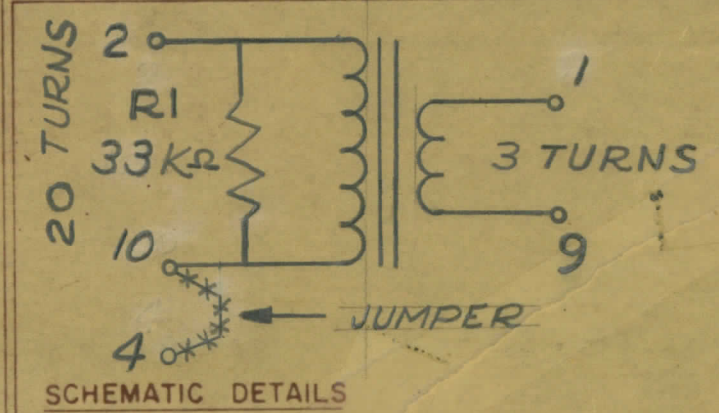
SKETCH 1



SKETCH 2



SKETCH 3



SCHEMATIC DETAILS

TMC (Canada) LIMITED
 OTTAWA ONTARIO

TRANSFORMER RF,

TUNED

AP
 RPL

A.S.

JW
 MA

| TOLERANCES UNLESS OTHERWISE SPECIFIED | SCALE |
|---------------------------------------|------------|
| ANGULAR DIM | X = .05 |
| CHAMFER | XX = .01 |
| DIAMETER | XXX = .005 |
| DRILL HOLE COMMERCIAL EQUIP | |
| DRILL HOLE MANUFACTURERS | |
| TOLERANCES ARE NOT INCLUDED | |

TTRT-4AE 059/68 MAY 13/68

TT10007-43A

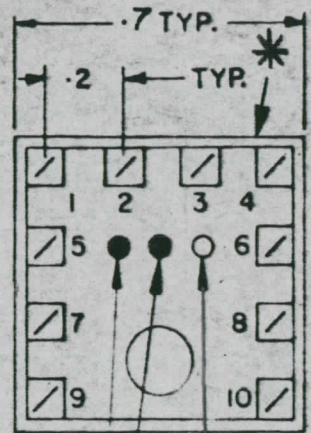
| | | | | | | | |
|---------------------------------------|--|-----------|--|----|--|----|--|
| TOLERANCES UNLESS OTHERWISE SPECIFIED | | MAY 14/68 | | AP | | JW | |
| REL TO PROD | | | | | | | |

TT10007-43B

NOTE:-
 1- COLOUR CODE INDICATES LAST TWO DIGITS AND LETTER IN TMC PART NO.
 2- * -INDICATES POSITION OF NAMEPLATE.

ASSEMBLY INSTRUCTIONS:-

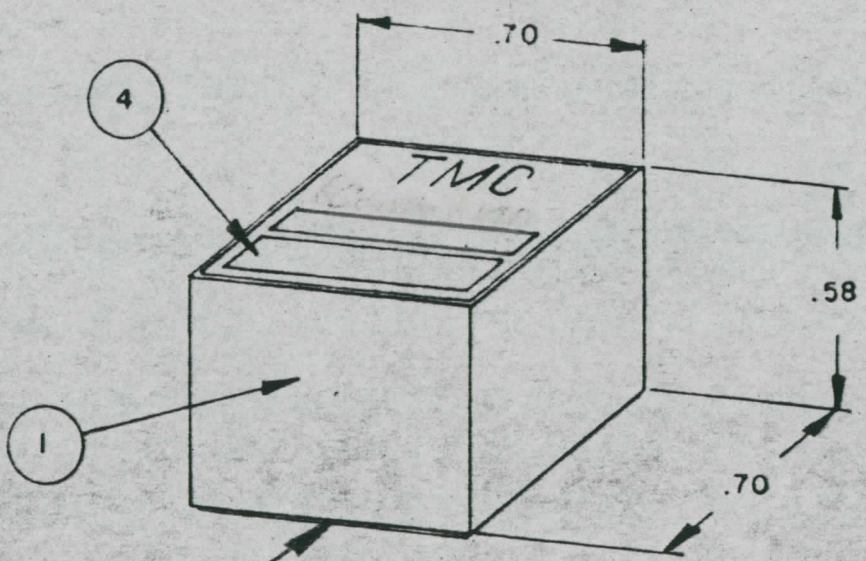
- WIND 14 TURNS OF ITEM 3 AS SHOWN IN SKETCH 1.
- WIND 2 TURNS OF ITEM 3 AS SHOWN IN SKETCH 2.
- WIND _____ TURNS OF ITEM _____ AS SHOWN IN SKETCH 3.
- DIP COIL IN ITEM 5 AND BAKE FOR 1/2 HR. AT 125°F.
- REMOVE 1 TURNS FROM THE PRIMARY IF NECESSARY TO OBTAIN THE FOLLOWING AT TEST FREQ. OF 7.9 MHz.
 a) INDUCTANCE IN μH : 1.20 ± 0.1
 b) Q MINIMUM _____
- MAXIMUM NUMBER OF TURNS TO BE REMOVED 3
- MOUNT TRANSFORMER ON BASE & CONNECT WIRES TO CORRESPONDING PINS.
- INSTALL ITEM 8 & _____ BETWEEN PINS 2 & 10
- INSTALL ITEM 7 & _____ BETWEEN PINS 4 & 10
- INSTALL ITEM _____ BETWEEN PINS _____ & _____
- POT TRANSFORMER USING ITEM 6 AS PER SPEC. S10/49.
- COLOUR CODE BOTTOM OF TRANSFORMER _____
- INSTALL NAMEPLATE.



BOTTOM VIEW

FIRST DIGIT
 SECOND DIGIT
 LETTER (IF REQ'D)
 A - WHITE
 B - BLACK

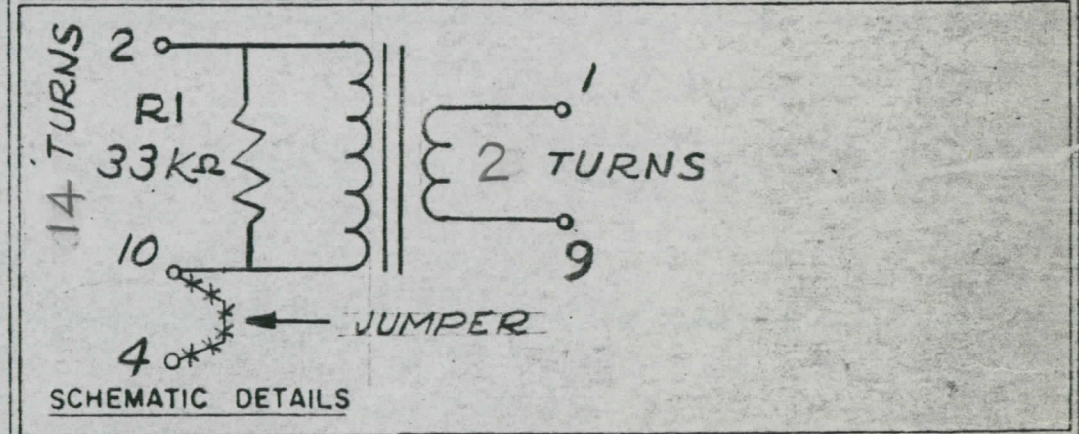
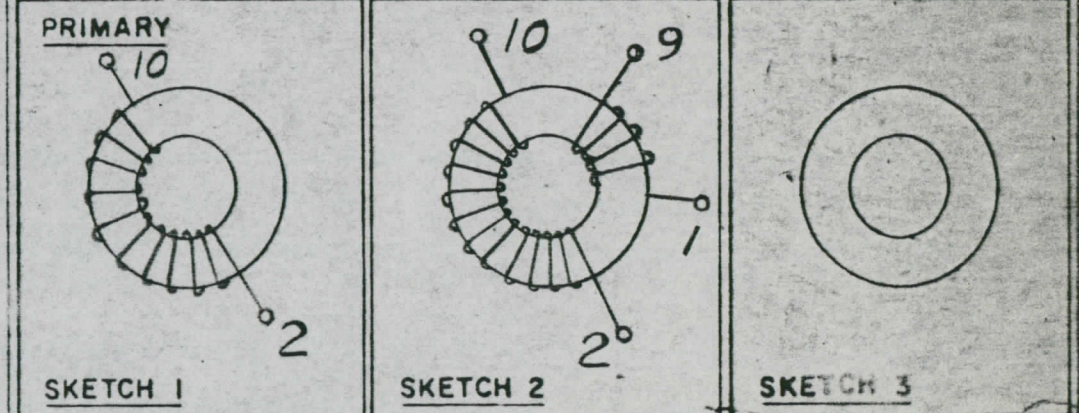
COLOUR CODE MARKING



TYPICAL FOR ALL SKETCHES *

| | | | |
|----|----|----------------|--------------------|
| 1 | 1 | BPI0002-1 | |
| 1 | 2 | CI-127-1 | CORE |
| AR | 3 | WI-122-32 | WIRE MAGNET |
| 1 | 4 | NP10157 | NAMEPLATE |
| AR | 5 | GL130 | Q-DOPE |
| AR | 6 | GL10005-3110 H | ENCAPSULANT |
| AR | 7 | WL100-8 | BUSS WIRE |
| 1 | 8 | RC07GF333J | RESISTOR, FIXED RI |
| | 9 | | |
| | 10 | | |
| | 11 | | |
| | 12 | | |

DIRECTION OF WINDING TO BE CLOSELY FOLLOWED AS SHOWN IN SKETCHES. ALL LEADS TO BE 1 INCH LONG. TIN LEADS BACK 3/4 INCH.



8-1081 F.B.

TMC (Canada) LIMITED
 OTTAWA ONTARIO

TRANSFORMER RF,

TUNED

AP A.S.
 RPL

| | | | | | |
|---------------------------------------|-------|-----------|----------|---------|----------|
| TOLERANCES UNLESS OTHERWISE SPECIFIED | SCALE | DATE | DESIGNER | CHECKED | APPROVED |
| | | MAY 13/68 | | | |

TTRT-4BE 059/68

MAY 13/68

TT10007-43B

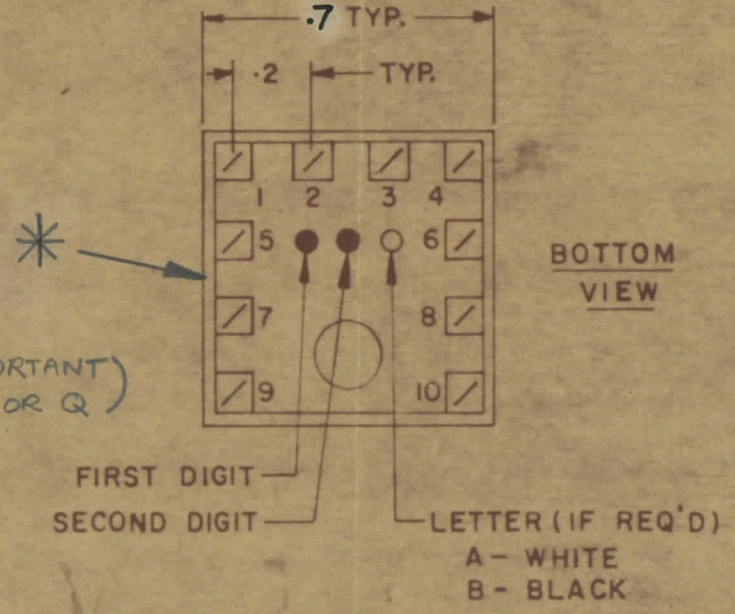
| | | | |
|---|------|---|-----------|
| 1. UNLESS OTHERWISE SPECIFIED, ALL DIMENSIONS ARE TO BE TAKEN FROM THE UNFINISHED SURFACE OF THE PART UNLESS OTHERWISE SPECIFIED. | | 2. DIMENSIONS ARE TO BE TAKEN FROM THE UNFINISHED SURFACE OF THE PART UNLESS OTHERWISE SPECIFIED. | |
| 3. MAXIMUM ALLOWABLE DIMENSIONAL VARIATIONS HAVE BEEN DETERMINED AND DESIGNATIONS WILL BE MADE FOR POSITION, NUMBER, AND TOLERANCE. | | 4. DIMENSIONS ARE TO BE TAKEN FROM THE UNFINISHED SURFACE OF THE PART UNLESS OTHERWISE SPECIFIED. | |
| REV. | ITEM | CHANGED FROM | DATE |
| 0 | | REL TO PROD | MAY 12/68 |
| | | AP | |

TT10007-44A

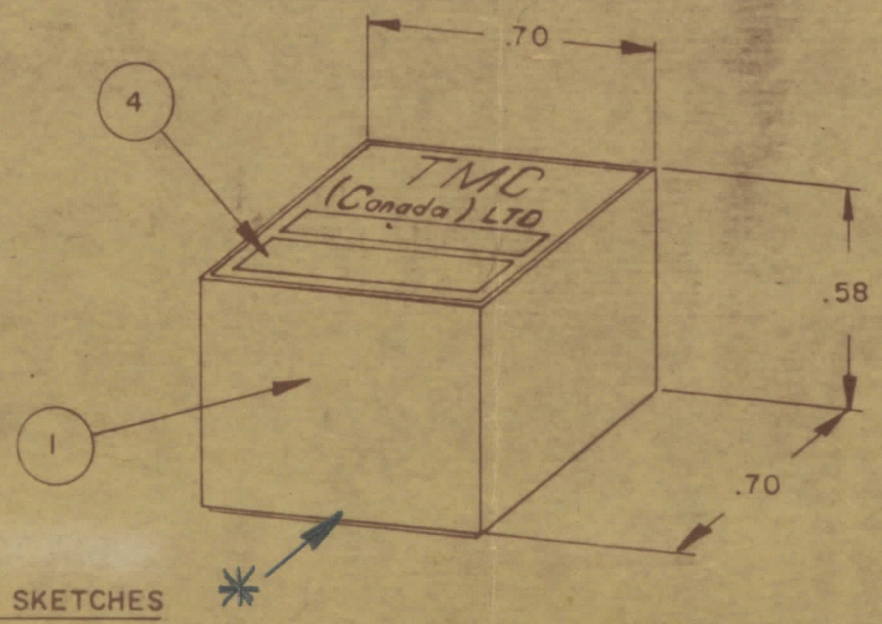
NOTE:-
 1- COLOUR CODE INDICATES LAST TWO DIGITS AND LETTER IN TMC PART NO.
 2- * -INDICATES POSITION OF NAMEPLATE.

ASSEMBLY INSTRUCTIONS:-

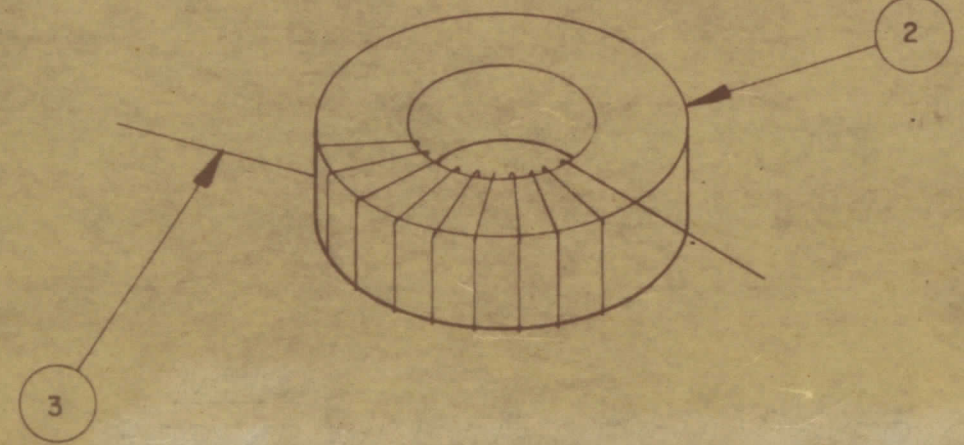
- WIND 8 TURNS OF ITEM 3 AS SHOWN IN SKETCH 1.
- WIND 2 TURNS OF ITEM 3 AS SHOWN IN SKETCH 2.
- WIND _____ TURNS OF ITEM _____ AS SHOWN IN SKETCH 3.
- DIP COIL IN ITEM 5 AND BAKE FOR 1/2 HR. AT 125°F.
- REMOVE _____ TURNS FROM THE PRIMARY IF NECESSARY TO OBTAIN THE FOLLOWING AT TEST FREQ. OF _____
 a) INDUCTANCE IN μH . NO SPEC ±
 b) Q MINIMUM NO SPEC (TURNS RATIO IMPORTANT NOT INDUCTANCE OR Q)
- MAXIMUM NUMBER OF TURNS TO BE REMOVED _____
- MOUNT TRANSFORMER ON BASE & CONNECT WIRES TO CORRESPONDING PINS.
- INSTALL ITEM 7 & _____ BETWEEN PINS 9 & 2.
- INSTALL ITEM _____ & _____ BETWEEN PINS _____ & _____
- INSTALL ITEM _____ BETWEEN PINS _____ & _____
- POT TRANSFORMER USING ITEM 6 AS PER SPEC. S 10149.
- COLOUR CODE BOTTOM OF TRANSFORMER _____
- INSTALL NAMEPLATE.



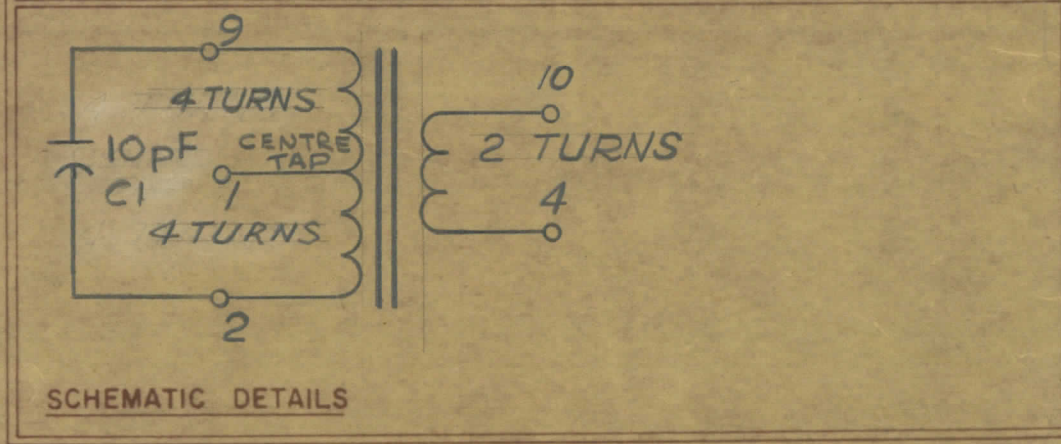
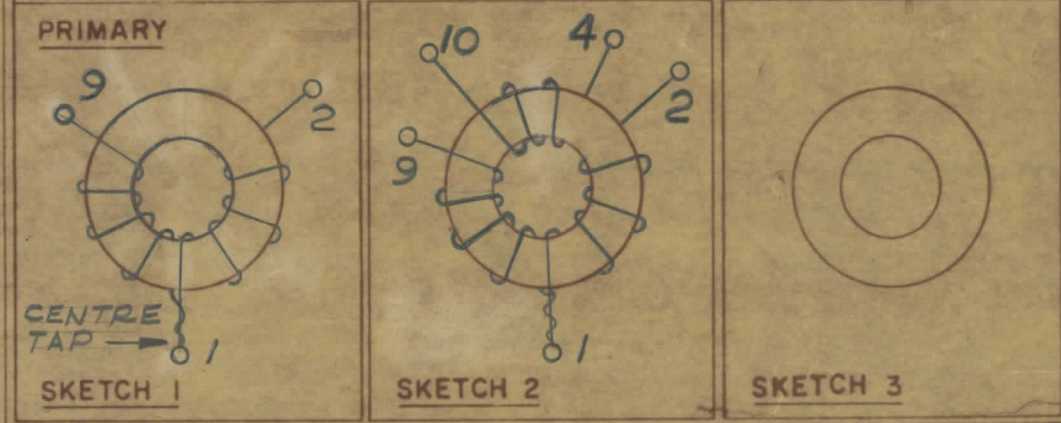
COLOUR CODE MARKING



TYPICAL FOR ALL SKETCHES



DIRECTION OF WINDING TO BE CLOSELY FOLLOWED AS SHOWN IN SKETCHES. ALL LEADS TO BE 1 INCH LONG. TIN LEADS BACK 3/4 INCH.



TMC (Canada) LIMITED
 OTTAWA ONTARIO
 TRANSFORMER RF,
 TUNED
 AP A.S.
 RPL
 TT10007-44A

| | |
|---------------------------------------|-------|
| TOLERANCES UNLESS OTHERWISE SPECIFIED | SCALE |
| XXX-005 | |
| XXX-005 | |

TTRT-4AE 059/68 MAY 13/68

TT10007-44A

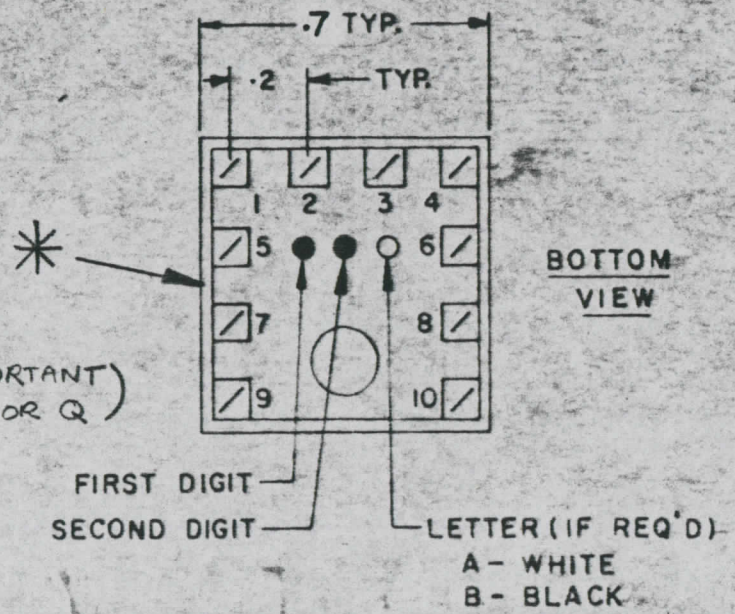
| | | | | | | | |
|-----|------|--------------|-----------|----|--------|------|-----|
| REV | ITEM | CHANGED FROM | DATE | BY | REASON | CHKD | APP |
| 0 | | REL TO PROD | MAY 12/68 | AP | | | |

TT10007-448

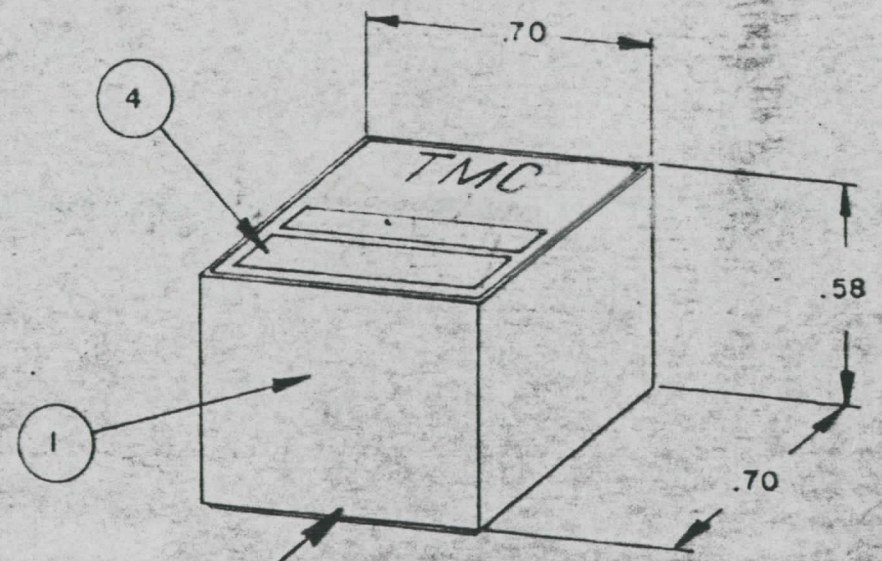
NOTE:-
 1- COLOUR CODE INDICATES LAST TWO DIGITS AND LETTER IN TMC PART NO.
 2- * -INDICATES POSITION OF NAMEPLATE.

ASSEMBLY INSTRUCTIONS:-

- WIND 3 TURNS OF ITEM 3 AS SHOWN IN SKETCH 1.
- WIND 1.5 TURNS OF ITEM 3 AS SHOWN IN SKETCH 2.
- WIND _____ TURNS OF ITEM _____ AS SHOWN IN SKETCH 3.
- DIP COIL IN ITEM 5 AND BAKE FOR 1/2 HR. AT 125°F.
- REMOVE _____ TURNS FROM THE PRIMARY IF NECESSARY TO OBTAIN THE FOLLOWING AT TEST FREQ. OF _____
 a) INDUCTANCE IN μ H. .5 \pm \rightarrow (TURNS RATIO IMPORTANT)
 b) Q MINIMUM NO SPEC (NOT INDUCTANCE OR Q)
- MAXIMUM NUMBER OF TURNS TO BE REMOVED _____
- MOUNT TRANSFORMER ON BASE & CONNECT WIRES TO CORRESPONDING PINS.
- INSTALL ITEM 7 & _____ BETWEEN PINS 9 & 2.
- INSTALL ITEM _____ & _____ BETWEEN PINS _____ & _____
- INSTALL ITEM _____ BETWEEN PINS _____ & _____
- POT TRANSFORMER USING ITEM 6 AS PER SPEC. S 10149.
- COLOUR CODE BOTTOM OF TRANSFORMER _____
- INSTALL NAMEPLATE.



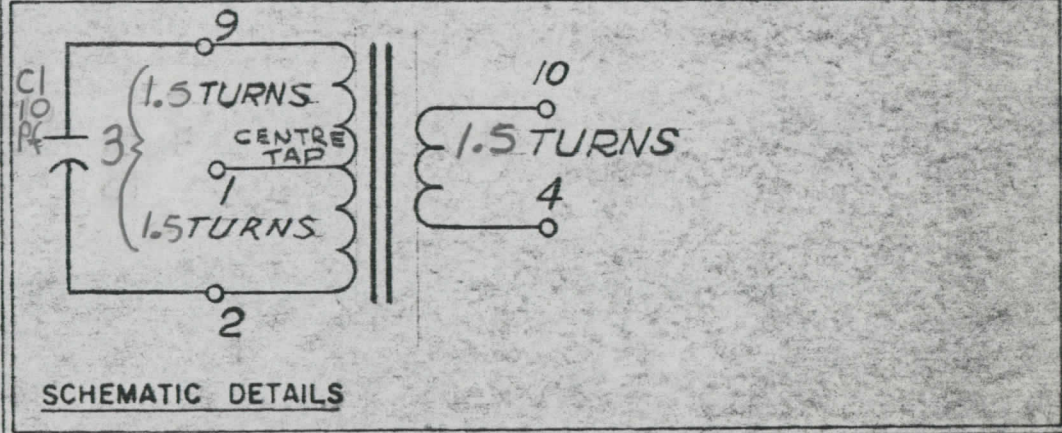
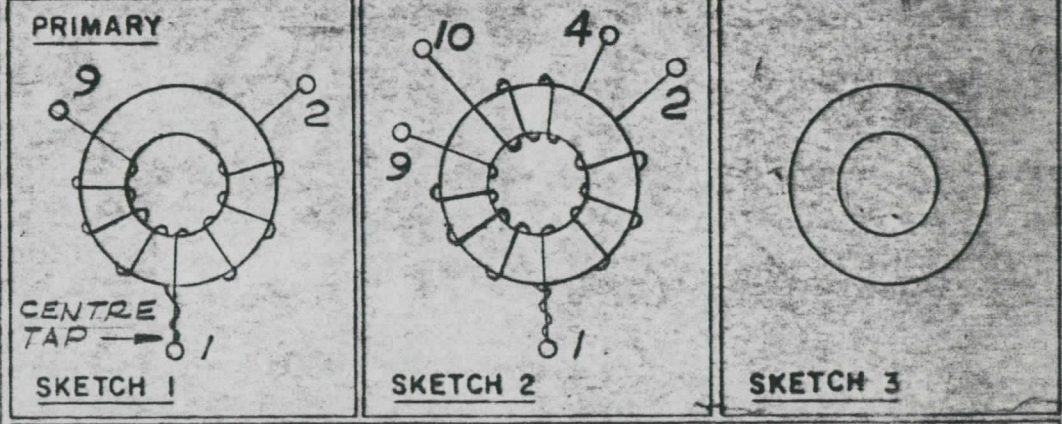
COLOUR CODE MARKING



TYPICAL FOR ALL SKETCHES *

| | | | | |
|----|----|-----------------|-----------------|----|
| 1 | 1 | BPI0002-1 | MODU-CON | |
| 1 | 2 | CI-10011-1-Q2 | CORE | |
| AR | 3 | WI-122-32 | WIRE MAGNET | |
| 1 | 4 | NP 10157 | NAMEPLATE | |
| AR | 5 | GL 130 | Q-DOPE | |
| AR | 6 | GL 10005-3110 H | ENCAPSULANT | |
| 1 | 7 | CM10002-C-100J | CAPACITOR FIXED | CI |
| | 8 | | | |
| | 9 | | | |
| | 10 | | | |
| | 11 | | | |
| | 12 | | | |

DIRECTION OF WINDING TO BE CLOSELY FOLLOWED AS SHOWN IN SKETCHES. ALL LEADS TO BE 1 INCH LONG. TIN LEADS BACK 3/4 INCH.



TMC (Canada) LIMITED
 OTTAWA ONTARIO

TRANSFORMER RF,
 TUNED

AP A.S.
 RPL [Signature]

| | |
|---------------------------------------|-------|
| TOLERANCES UNLESS OTHERWISE SPECIFIED | SCALE |
| XXX.005 | |
| XXX.01 | |
| XXX.005 | |

TTRT-4BE 059/68 MAY 13/68

TT10007-448