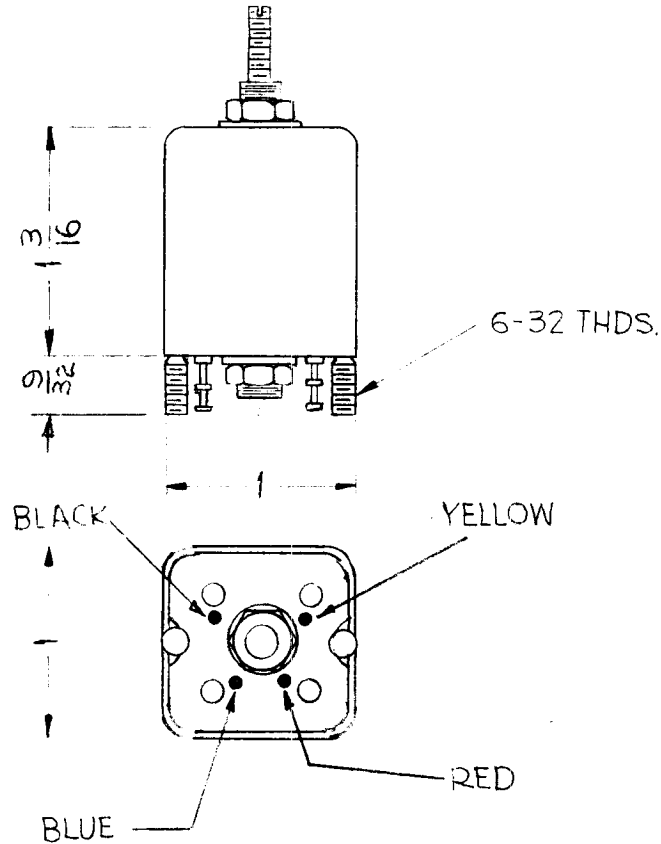


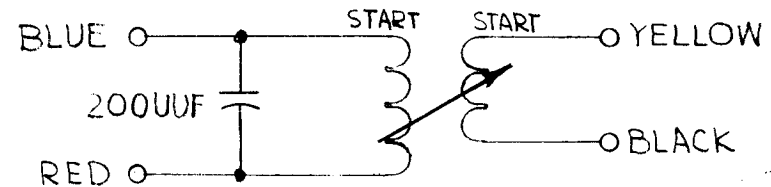
THE CONTENTS OF THIS DRAWING ARE THE EXCLUSIVE PROPERTY OF THE TECHNICAL MATERIEL CORP. ITS UNAUTHORIZED USE OR REPRODUCTION IN WHOLE OR IN PART IS STRICTLY FORBIDDEN.

REQ. PER UNIT	USED ON			TT-190
	MODEL	ASS'Y. NO.	DATE	
1	TRX-1		7-13-62	

SYMBOL	FUNCTION	OPER. FREQ.	USED ON	QTY
T102	I FO OUTPUT	3.5 MC.	TRX-1	1



WINDING NO. 1
 NOMINAL INDUCTANCE = 5.7 μ H
 NO. OF TURNS = 31
 WINDING NO. 2
 NO. OF TURNS = 15
 COIL FORM DATA
 MATERIAL - PHENOLIC TUBE .250 DIA X 1" LONG
 TUNING DEVICE
 QUANTITY = 1
 TYPE = FERRITE SLUG
 TERMINALS - TURRET TYPE
 CASE DATA
 MATERIAL = ALUMINUM



SCHEMATIC DIAGRAM

REQ.	ITEM	PART NO.	STOCK SIZE	DESCRIPTION	SYMBOL							
				THE TECHNICAL MATERIEL CORP. MAMARONECK, NEW YORK								
				TRANSFORMER, RF, TUNED								
SYM	DESCRIPTION	DATE	CH. NO.	DRAFTS	CHECKER	ENG. APP.	MATERIAL	TYPE & TEMPER	HEAT TREAT. SPEC.	DRAWN	CHECKED	FINAL APPROVAL
	UNLESS OTHERWISE SPECIFIED: DIMENSIONS ARE IN INCHES TOLERANCES ON FRAC. $\pm 1/64$ DEC. $\pm .005$ ANGLES $\pm 1/2^\circ$											
		SCALE: 2A-3048								Granillo	7/3/63	YFH-7.8.63
		MAXIMUM ALLOWABLE TOLERANCES HAVE BEEN DETERMINED AND ANY DEVIATIONS WILL BE CAUSE FOR REJECTION. REMOVE ALL BURRS AND SHARP EDGES										TT-190