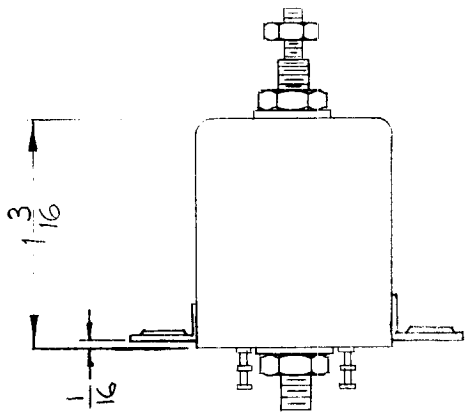


THE CONTENTS OF THIS DRAWING ARE THE EXCLUSIVE PROPERTY OF THE TECHNICAL MATERIEL CORP. ITS UNAUTHORIZED USE OR REPRODUCTION IN WHOLE OR IN PART IS STRICTLY FORBIDDEN.

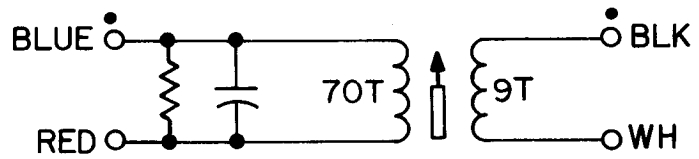
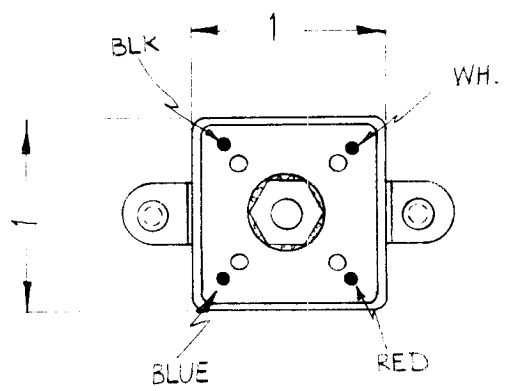
REQ. PER UNIT	USED ON			TT 178	A
	MODEL	ASS'Y. NO.	DATE		
		3500	8-15-62		

MODEL	REQ	FUNCTION	OPER. FREQ.	SYMBOL
HFS-1	1	1 MC BANDPASS	3.25-4.25 MC	T3504



ELECTRICAL SPEC-
 PRIMARY: IND = 30 OHM ± 2 OHM, Q = 60 OR GREATER, TEST FREQ = 2.5 MC
 SECONDARY: TEST WITH OHMMETER FOR CONTINUITY ONLY.

MECHANICAL SPEC-
 CASE ~ ALUMINUM
 TERM BOARD ~ PHENOLIC



• INDICATES START OF WINDING.

SCHEMATIC DIAGRAM

REQ.	ITEM	PART NO.	STOCKER	DESCRIPTION	SYMBOL		
				THE TECHNICAL MATERIEL CORP. MAMARONECK, NEW YORK			
				TRANSFORMER, RF TUNED			
				3500 DECK			
A	4 LUGS RELOCATED	3-23-62 15999	<i>MA</i>	<i>gts</i>			
SYM	DESCRIPTION	DATE	CH. NO.	DRAFTS	CHECKER	ENG. APP.	
UNLESS OTHERWISE SPECIFIED: DIMENSIONS ARE IN INCHES TOLERANCES ON FRAC. ± 1/64 DEC. ± .005 ANGLES ± 1/2°		SCALE: Do Not Scale (2A-2449)		MAXIMUM ALLOWABLE TOLERANCES HAVE BEEN DETERMINED AND ANY DEVIATIONS WILL BE CAUSE FOR REJECTION. REMOVE ALL BURRS AND SHARP EDGES			
			TYPE & TEMPER	HEAT TREAT. SPEC.	DRAWN	CHECKED	FINAL APPROVAL
					<i>MA</i>	<i>MA</i>	TT 178
			FINISH & SPEC. NO.		ELEC. DES. APP.	MECH. DES. APP.	A