

THE CONTENTS OF THIS DRAWING ARE THE EXCLUSIVE PROPERTY OF THE TECHNICAL MATERIEL CORP. ITS UNAUTHORIZED USE OR REPRODUCTION IN WHOLE OR IN PART IS STRICTLY FORBIDDEN.

REQ. PER UNIT

MODEL

USED ON

ASS'Y. NO.

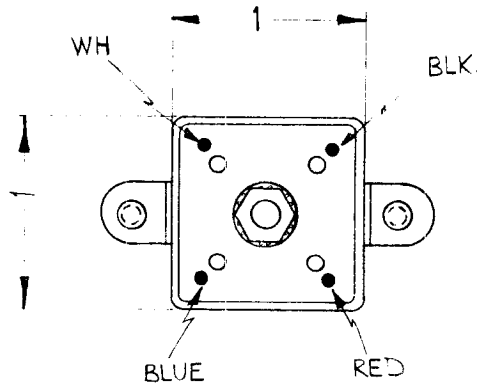
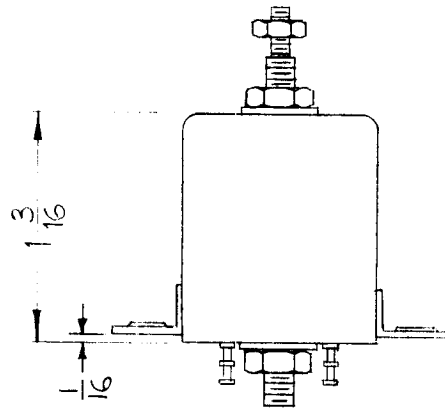
DATE

3500

8-15-62

TT 176

A



MODEL	REQ.	FUNCTION	OPER FREQ	SYMBOL
HFS-1	1	2 MC TRANSFORMER	2 MC	T3503

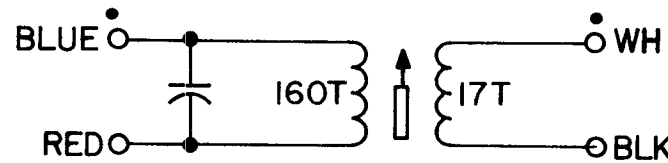
ELECTRICAL SPEC~

PRIMARY  
 IIND: 140μH ± 10%  
 Q: 40 OR GREATER  
 TEST FREQ: 700 KC

SECONDARY  
 TEST WITH OHMMETER  
 FOR CONTINUITY  
 ONLY.

MECHANICAL SPEC~

CASE ~ ALUMINUM  
 TERM. BOARD ~ PHENOLIC



• INDICATES START OF WINDING.

SCHEMATIC DIAGRAM

REQ.	ITEM	PART NO.	STICKER	DESCRIPTION	SYMBOL						
				THE TECHNICAL MATERIEL CORP. MAMARONECK, NEW YORK							
				TRANSFORMER, RF TUNED							
				2 MC (3500 DECK)							
A	4 LUGS RELOCATED	3-23-LL 15999	<i>MJA</i>	<i>QC/B</i>							
SYM	DESCRIPTION	DATE	CH. NO.	DRAFTS	CHECKER	ENG. APP.	MATERIAL				
UNLESS OTHERWISE SPECIFIED: DIMENSIONS ARE IN INCHES TOLERANCES ON FRAC. ± 1/64 DEC. ± .005 ANGLES ± 1/2°		SCALE: Do Not Scale (2A-2445)		MAXIMUM ALLOWABLE TOLERANCES HAVE BEEN DETERMINED AND ANY DEVIATIONS WILL BE CAUSE FOR REJECTION. REMOVE ALL BURRS AND SHARP EDGES							
							TYPE & TEMPER	HEATTREAT. SPEC.	DRAWN	CHECKED	FINAL APPROVAL
									<i>MJA</i>	<i>MJA</i>	TT 176
							FINISH & SPEC. NO.		LEC. DES. APP.	MECH. DES. APP.	A