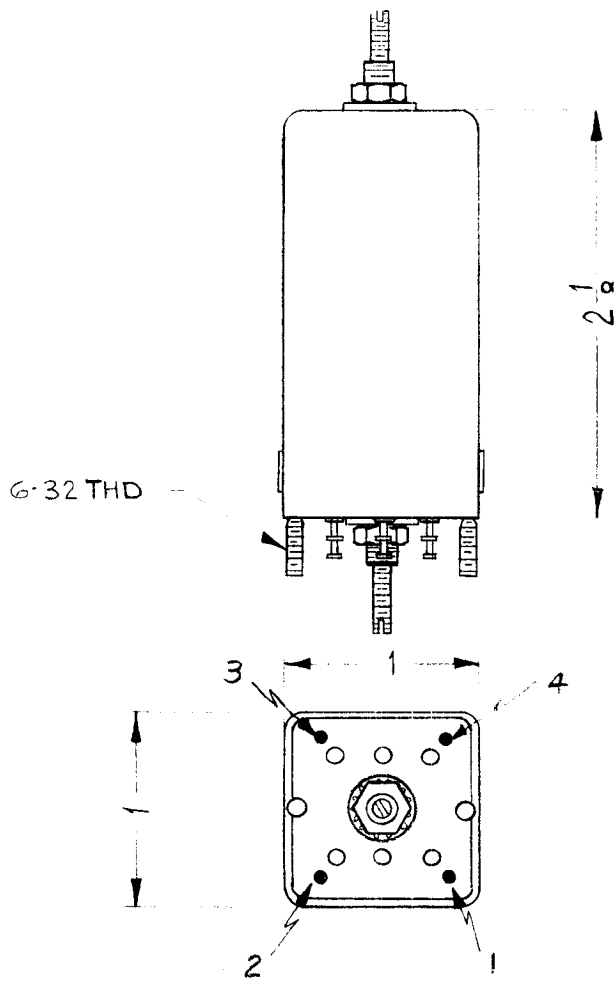


REQ. PER. UNIT	USED ON			TT-160	B
	MODEL	ASSY. NO.	DATE		

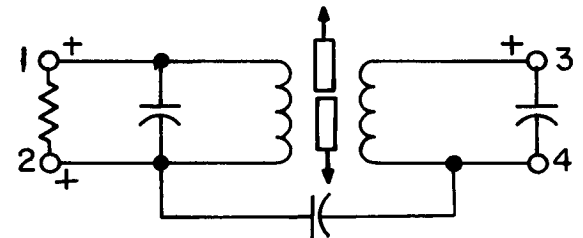


TMC P/N	MODEL	REQ.	FUNCTION	COLOR CODE				OPER. FREQ.	SYMBOL
				1	2	3	4		
TT160	HFI-1	1	INTERSTAGE XFMR	GRN	BLK	RED	BLUE	250KC	T6202
	SBS-1	1	INTERSTAGE XFMR	GRN	BLK	RED	BLUE	250KC	T202
		1	INTERSTAGE XFMR	GRN	BLK	RED	BLUE	250KC	T6200
TT160-2	SBS-7	1	INTERSTAGE XFMR	BLK	GRN	RED	BLUE	205KC	T6200

ELECTRICAL SPEC.

MECHANICAL SPEC.

PRIMARY IND= 220-240uh SECONDARY IND=220-240 uh CASE ~ ALUMINUM
 Q= 40 or GREATER Q= 40 or GREATER CASE FINISH - **CLEAR LACQUER**
 FREQ= 790KC FREQ. 790KC TERM. BOARD PHENOLIC



+ INDICATES START OF WINDING.

ISSUE	ITEM	CHANGED FROM	DATE	CH. NO.	DRAFTS	CHECKER	ENG. APP.	REQ. ITEM	PART NO.	M. GELLMAN	DESCRIPTION	SYMBOL	
B		ELEC. SPECS "Q" WAS 35-45	9/9/66	16058	WFW	<i>[Signature]</i>	<i>[Signature]</i>				THE TECHNICAL MATERIEL CORP. MAMARONECK, NEW YORK TRANSFORMER, IF TUNED		
A		COLOR CODE, TMC TMC #LINE TT160-2 ADDED	V.V.	15087	V.V.	<i>[Signature]</i>	<i>[Signature]</i>						
TOLERANCES			SCALE: (2A-2156)										
DEC. DIM. ± FRAC. DIM. ± ANGULAR DIM. ±			MAXIMUM ALLOWABLE TOLERANCES HAVE BEEN DETERMINED AND ANY DEVIATIONS WILL BE CAUSE FOR REJECTION. REMOVE ALL BURRS AND SHARP EDGES										
								TYPE & TEMPER	HEAT TREAT. SPEC.	DRAWN	CHECKED	FINAL APPROVAL	
								FINISH & SPEC. NO.		ELEC. DES. APP	MECH. DES. APP	TT-160	B