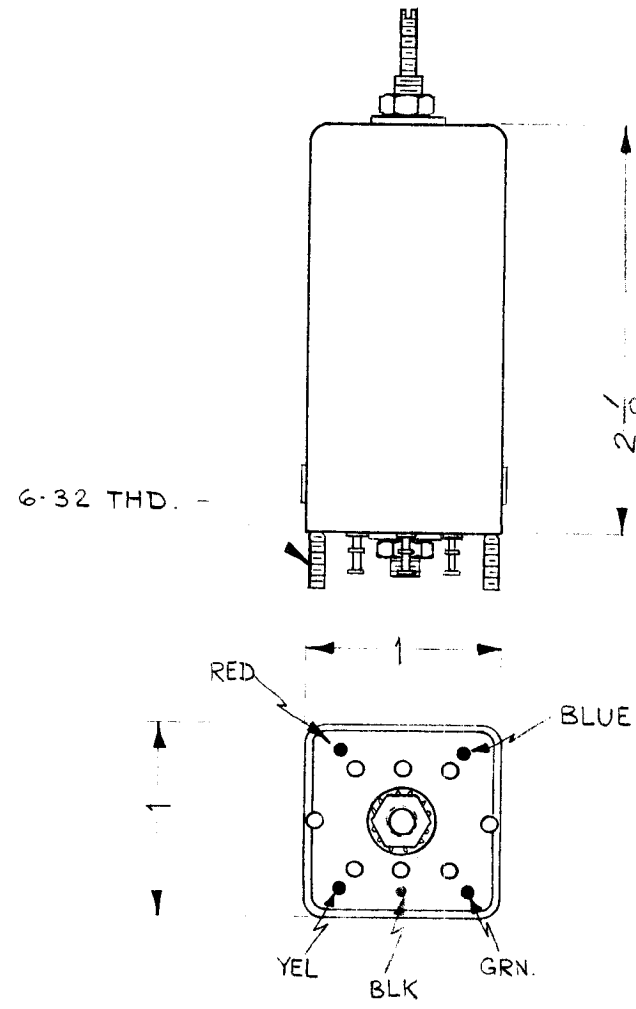


REQ. PER. UNIT	USED ON			TT-159	C
	MODEL	ASS'Y. NO.	DATE		
			9-22-61		

TMC P/N	MODEL	REQ.	FUNCTION	OPER. FREQ.	SYMBOL
TT159	HFI-1	1	Output & AVC Interstage Transformer	250KC	T103
	SBS-1	1	Output & AVC Interstage Transformer	250KC	T103
		1	Channel A amplifier	250KC	T6205
		1	Channel B amplifier	250KC	T6206
TT159-2	SBS-7	4	OUTPUT AND AVC INTERSTAGE TRANSFORMER	205KC	T103



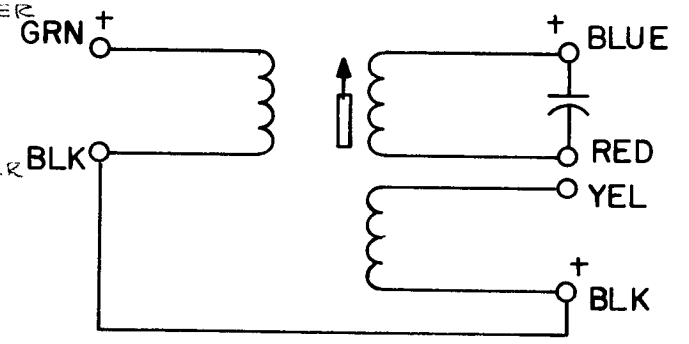
ELECTRICAL SPEC.

PRIMARY
 IND=190-210 uh
 Q=40 OR GREATER
 FREQ= 290KC

SECONDARY
 IND=85-95 uh
 Q=40 OR GREATER
 FREQ= 2.5MC

MECHANICAL SPEC.

CASE - ALUMINUM
 TERM. BOARD ~ PHENOLIC



SCHEMATIC DIAGRAM
 + INDICATES START OF WINDING.

ISSUE	ITEM	CHANGED FROM	DATE	CH. NO.	DRAFTS	CHECKER	ENG. APP.	REQ. ITEM	PART NO.	M. GELLMAN	DESCRIPTION	SYMBOL		
C		ELEC SPECS "Q" WAS 35-45	10/9/66	17058	UFW	[Signature]	[Signature]				THE TECHNICAL MATERIEL CORP. MAMARONECK, NEW YORK TRANSFORMER, IF TUNED			
B		CASE FINISH-S404 YEL NIDITE BLUE PE MECH. SPEC.	5.16.66	16246	UFW	[Signature]	[Signature]							
A		TT159-2 ADDED	11/9/65	15021	KIT	[Signature]	[Signature]							
TOLERANCES			SCALE: (2A-2155)											
DEC. DIM. ± FRAC. DIM. ± ANGULAR DIM. ±			MAXIMUM ALLOWABLE TOLERANCES HAVE BEEN DETERMINED AND ANY DEVIATIONS WILL BE CAUSE FOR REJECTION. REMOVE ALL BURRS AND SHARP EDGES											
								TYPE & TEMPER	HEATTREAT. SPEC.	DRAWN	CHECKED	FINAL APPROVAL		
								FINISH & SPEC. NO.	ELEC. DES. APP		MECH. DES. APP		TT-159	C