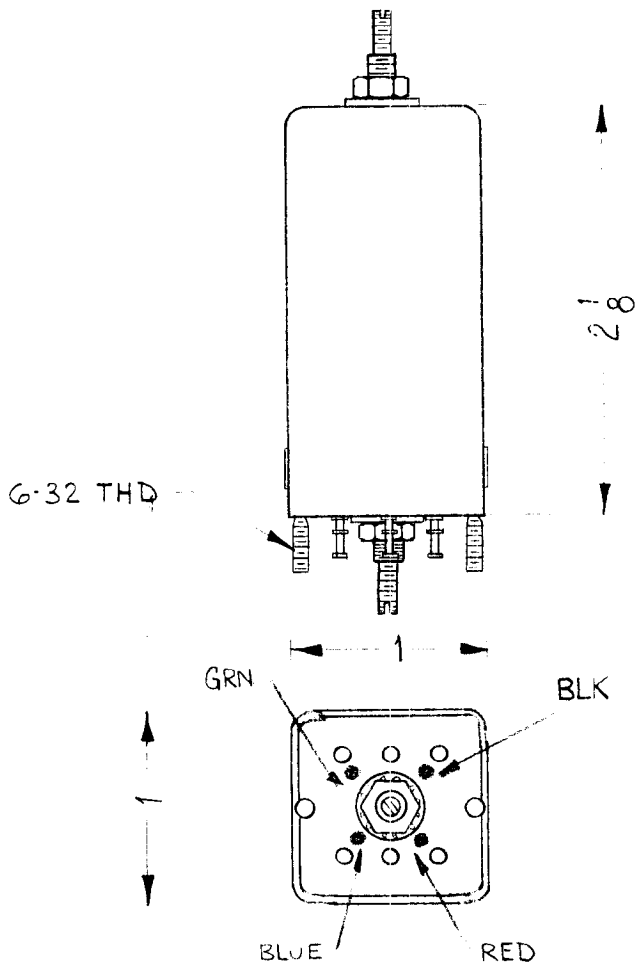


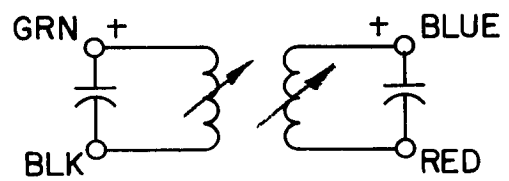
REQ. PER. UNIT	USED ON			TT-158	B
	MODEL	ASSY. NO.	DATE		
			9-26-61		



TMC PART No.	MODEL	REQ.	FUNCTION	OPER. FREQ.	SYMBOL
TT158	HFI-1	1	INTERSTAGE TRANSF	250 KC	T102
	SBS-1	1	INTERSTAGE TRANSF	250 KC	T102
TT158-2	SBS-7	1	INTERSTAGE TRANSF	205 KC	T102

ELECTRICAL SPEC. **MECHANICAL SPEC.**

PRIMARY SECONDARY CASE ~ ALUMINUM
IND: 600 ± 5% MH IND: 1 ± 5% MH CASE FINISH - ALUMINUM
Q: 40 OR GREATER Q: 40 OR GREATER TERM. BOARD ~ PHENOLIC.
FREQ. 790 FREQ. 790



SCHEMATIC DIAGRAM
+ INDICATES START OF WINDING.

REQ	ITEM	PART NO.	M. GELLMAN DESCRIPTION			SYMBOL
			THE TECHNICAL MATERIEL CORP. MAMARONECK, NEW YORK			
			TRANSFORMER, IF TUNED			
			MATERIAL			
			TYPE & TEMPER	HEAT TREAT. SPEC.	DRAWN	CHECKED
			FINISH & SPEC. NO.		ELEC. DES. APP	MECH. DES. APP
B	ELEC SPECS "Q" WAS 35-45	10.19.66 17058	W45	RF		
A	TMC DIN COL. FLINE TT 158-2 ADDED	11/3/61 15089	H.V.	RF		
ISSUE ITEM		CHANGED FROM	DATE	CH. NO.	DRAFTS	CHECKER
TOLERANCES		SCALE: (2A-2154)				
DEC. DIM. ± FRAC. DIM. ± ANGULAR DIM. ±		MAXIMUM ALLOWABLE TOLERANCES HAVE BEEN DETERMINED AND ANY DEVIATIONS WILL BE CAUSE FOR REJECTION. REMOVE ALL BURRS AND SHARP EDGES				
				DRAWN		CHECKED
				TT-158		B