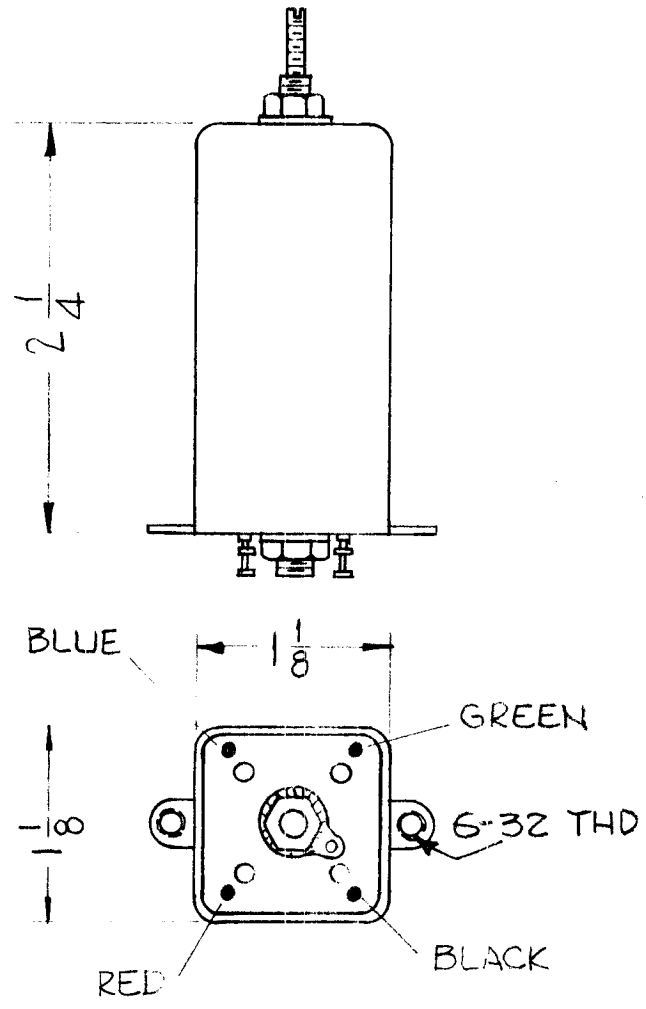


REQ. PER UNIT	USED ON			TT-147
	MODEL	ASSY. NO.	DATE	
1	GPR-92		10-2-61	

MODEL	REQ	FUNCTION	OPER. FREQ.	SYMBOL
GPR-92	1	FIRST IF TRAN	455 KC	T122

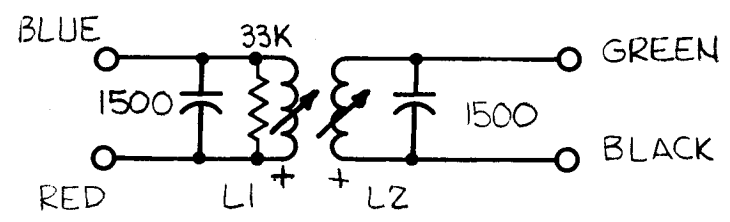


ELECTRICAL SPECS.

Q-SEC-35-40  
 PRI-35-40  
 Lwh-SEC-48  
 PRI-48  
 FREQ-SEC-2.5 MC  
 PRI-2.5 MC

MECHANICAL SPECS

CASE-ALUMINUM  
 CASE FINISH-NATURAL  
 TERM BOARD-PHENOLIC



(+) INDICATES START OF WINDING

							REQ.	ITEM	PART NO.	GELLMAN	DESCRIPTION	SYMBOL		
										THE TECHNICAL MATERIEL CORP.				
										MAMARONECK, NEW YORK				
										TRANSFORMER IF TUNED				
ISSUE	ITEM	CHANGED FROM	DATE	CH. NO.	DRAFTS	CHECKER	ENG. APP.			MATERIAL				
TOLERANCES			SCALE: 24-2130								RUZZO	<i>[Signature]</i>	<i>[Signature]</i>	
DEC. DIM. ±			MAXIMUM ALLOWABLE TOLERANCES HAVE BEEN DETERMINED AND ANY DEVIATIONS WILL BE CAUSE FOR REJECTION. REMOVE ALL BURRS AND SHARP EDGES				TYPE & TEMPER		HEATTREAT. SPEC.		DRAWN		CHECKED	
FRAC. DIM. ±							FINISH & SPEC. NO.		ELEC. DES. APP		MECH. DES. APP		TT-147	
ANGULAR DIM. ±														