

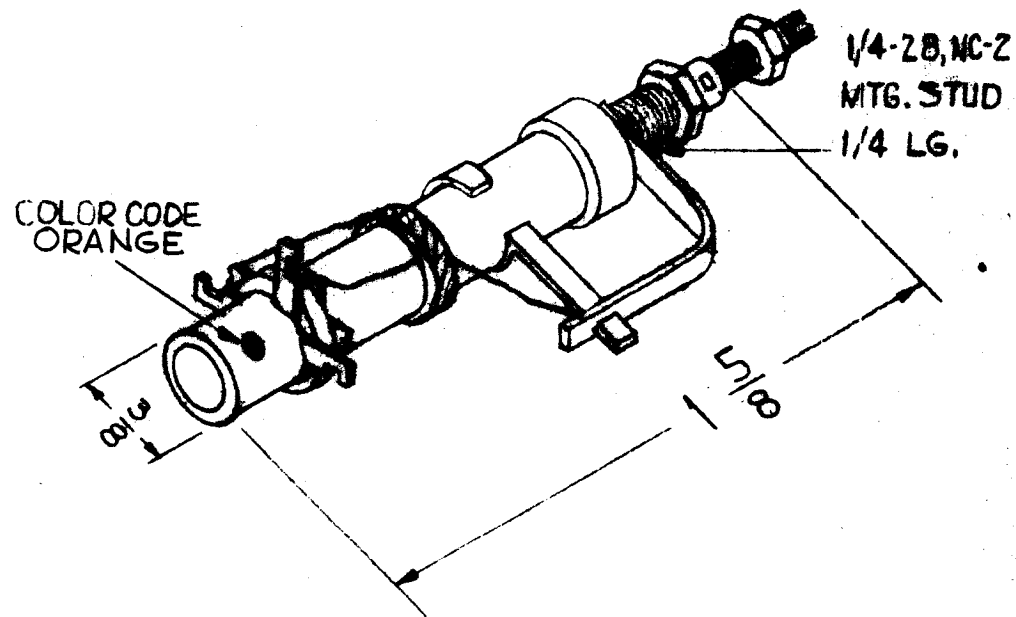
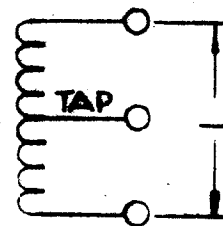
ELECTRICAL SPECIFICATIONS

L - 1.1 (1.0-1.2) Microhenries
 Q - 70 or greater
 FREQ. (Test) - 7.9 Mcs
 OPER. FREQ. - 8-16 Mcs

MECHANICAL SPECIFICATIONS

TOTAL TURNS - 12
 TAP - 6 turns
 WIRE - WI-107-5
 TUNING SLUG - Powdered Iron
 FORM - Phenolic

REV. NO.	DATE	BY	CHKD.
2	7-6-61		
MODEL	ASBY. NO.	DATE	
GPE-1		7-6-61	



ISSUE	ITEM	CHANGED FROM	DATE	CH. NO.	DRAFTS	CHECKER	ENG. APP.	REQ.	ITEM	PART NO.	DESCRIPTION	SYMBOL
											THE TECHNICAL MATERIAL CORP. MAMARONECK, NEW YORK	
											TRANSFORMER IN RIF	
											TUNED	
											R 6220	
											DRAWN	
											FILED	
											FINISH & SPEC. NO.	
											FILED	
											TT-135	A