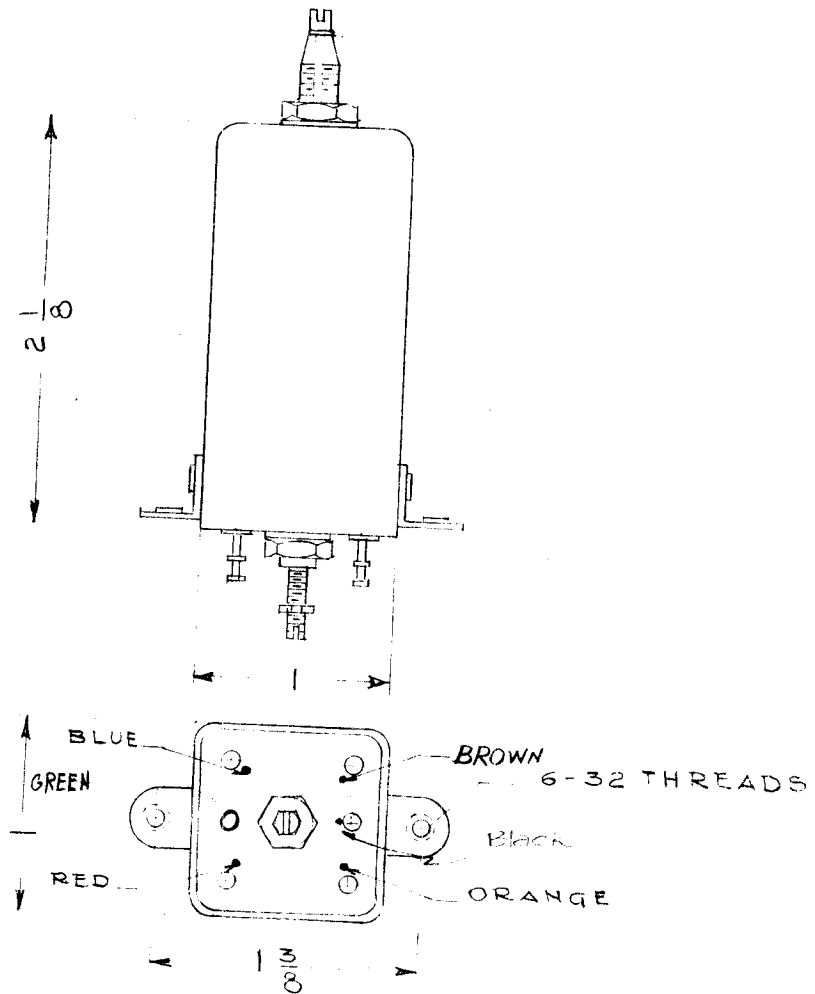
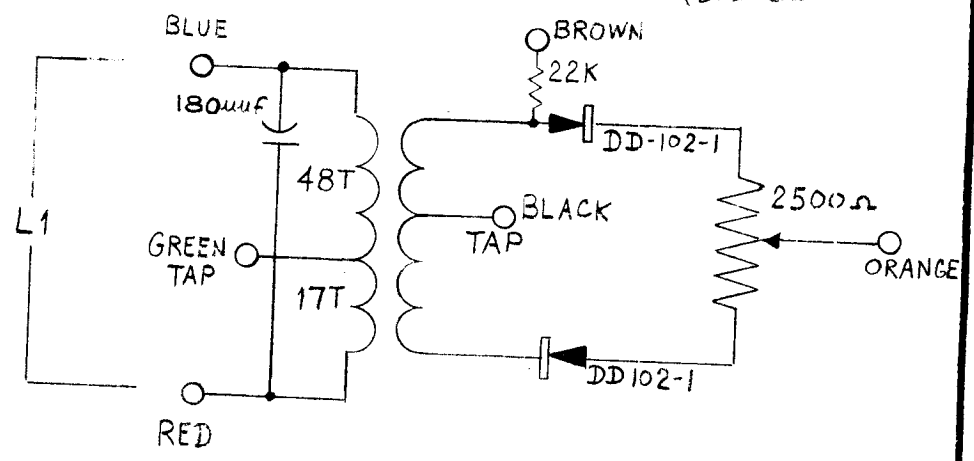


| | | | | | |
|---------------|---------|------------|-----------|--------|---|
| REQ. PER UNIT | USED ON | | | TT-115 | C |
| | MODEL | ASS'Y. NO. | DATE | | |
| CHG-1 | | | 9-23-1960 | | |



| MODEL | FUNCTION | SYM. |
|-------|----------------------------|-------|
| CHG-1 | 2 mc TANK & PHASE DETECTOR | T1501 |

TEST DATA (W/OUT CORE)
 $L = 24 \mu h, \pm 15\%$
 $Q = 40$ OR GREATER (SECONDARY NOT CONNECTED TO DIODES)
 FREQ = 2.5 MHz



| ISSUE | ITEM | CHANGED FROM | DATE | CH. NO. | DRAFTS | CHECKER | ENG. APP. | REQ. ITEM | PART NO. | DESCRIPTION | SYMBOL | | | | | | |
|---|------|--|--|---------|--------|---------|-----------|--------------------|----------|--|--------|----------------|--|---------|--|----------------|--|
| C | | 2 WHS 50 FREQ WAS 790 KC. SEC NOTE ADD | 11.22.66 | 17302 | 4/10 | CP | | | | THE TECHNICAL MATERIEL CORP. MAMARONECK, NEW YORK TRANSFORMER, RF, TUNED | C | | | | | | |
| B | 1 | 180 μ f WAS 220 μ f | 8.6.64 | 12064 | KB | NOB | | | | | | | | | | | |
| A | 1 | L WAS 24 μ h (± 15) | 4/24/61 | 4172 | DJ | JB | | | | | | | | | | | |
| TOLERANCES | | | SCALE: 2A-1965 | | | | | TYPE & TEMPER | | HEAT TREAT. SPEC. | | DRAWN | | CHECKED | | FINAL APPROVAL | |
| DEC. DIM. \pm FRAC. DIM. \pm ANGULAR DIM. \pm | | | MAXIMUM ALLOWABLE TOLERANCES HAVE BEEN DETERMINED AND ANY DEVIATIONS WILL BE CAUSE FOR REJECTION. REMOVE ALL BURRS AND SHARP EDGES | | | | | FINISH & SPEC. NO. | | ELEC. DES. APP | | MECH. DES. APP | | TT-115 | | C | |