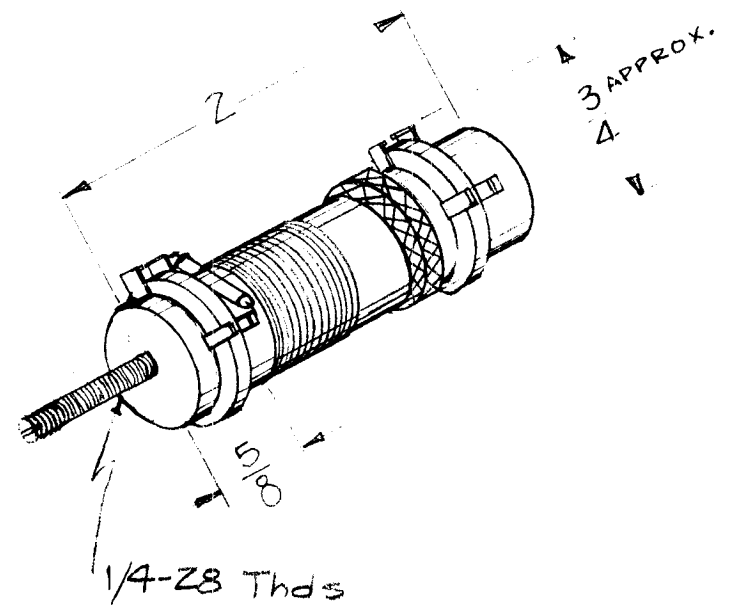


REQ. PER UNIT	USED ON			TT-108	A
	MODEL	ASSY. NO.	DATE		
1	GPR-90RXD		5- -60		

USED ON	QUANTITY	FUNCTION	SYMBOL
GPR-90RXD	1		L9



ELECTRICAL SPECIFICATIONS

L_{inh} ~ Pri. 9.0 (8.5-9.5), Sec. 9.7 (9.2-10.2)
 Q ~ Pri. 55 or Greater, Sec. 85 or Greater
 FREQ ~ Pri. 7.9 MC, Sec. 2.5 MC

ISSUE	ITEM	CHANGED FROM	DATE	CH. NO.	DRAFTS	CHECKER	ENG. APP.	REQ. ITEM	PART NO.	DESCRIPTION	SYMBOL	
A	1	PICT'L. CHG'D. TO AGREE WITH A-1898	10-3-61	5645	EE	AS	<i>[Signature]</i>			THE TECHNICAL MATERIEL CORP. MAMARONECK, NEW YORK		
										TRANSFORMER, RF TUNED		
										BAND-3		
TOLERANCES			SCALE: ZA-1898									
DEC. DIM. ± FRAC. DIM. ± ANGULAR DIM. ±			MAXIMUM ALLOWABLE TOLERANCES HAVE BEEN DETERMINED AND ANY DEVIATIONS WILL BE CAUSE FOR REJECTION. REMOVE ALL BURRS AND SHARP EDGES									
			TYPE & TEMPER		HEATTREAT. SPEC.							
			DRAWN		CHECKED		FINAL APPROVAL					
			FINISH & SPEC. NO.		ELEC. DES. APP		MECH. DES. APP					
											TT-108 A	