

SYMBOL	FUNCTION	REQ. PER. UNIT	USED ON		
			MODEL	FREQ.	DATE
L3Z	1ST RF BANDS	1	GPR-90-EXD	9.4-17.8 MC	8-25-60
T107	"	1	GPR-92	9.5-17.5 MC	10-16-62

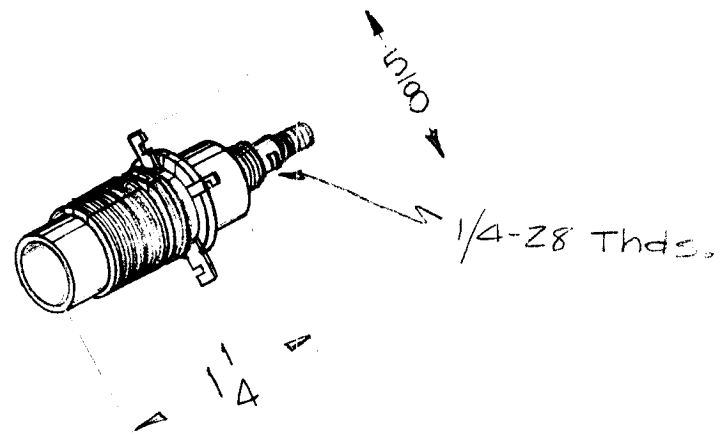
TT-106 A

SPECIFICATIONS

Q - PRI. $\sim > 90$
 SEC. $\sim > 100$

Luh - PRI. $\sim .25$ TO $.3$
 SEC. $\sim 2.4 - 2.6$

FREQ - PRI ~ 25
 SEC ~ 79



REQ.	ITEM	PART NO.	DESCRIPTION		SYMBOL
			THE TECHNICAL MATERIEL CORP.		
			MAMARONECK, NEW YORK		
			TRANSFORMER, RF, TUNED		
			STOCK SIZE		
			MATERIAL		
			TYPE & TEMPER		
			HEAT TREAT. SPEC.		
			FINISH & SPEC. NO.		
			DRAWN		
			CHECKED		
			FINAL APPROVAL		
			ELEC. DES. APP		
			MECH. DES. APP		

ISSUE	ITEM	CHANGED FROM	DATE	CH. NO.	DRAFTS	CHECKER	ENG. APP.
A	1	on SPECIFICATIONS Q - PRI. were 120 SEC. were 100 LUH - PRI. were 3 SEC. were 2.5	7-7-61	5196	604	<i>[Signature]</i>	<i>[Signature]</i>

TOLERANCES	SCALE:
DEC. DIM. \pm	2A-1887
FRAC. DIM. \pm	
ANGULAR DIM. \pm	

MAXIMUM ALLOWABLE TOLERANCES HAVE BEEN DETERMINED AND ANY DEVIATIONS WILL BE CAUSE FOR REJECTION. REMOVE ALL BURRS AND SHARP EDGES