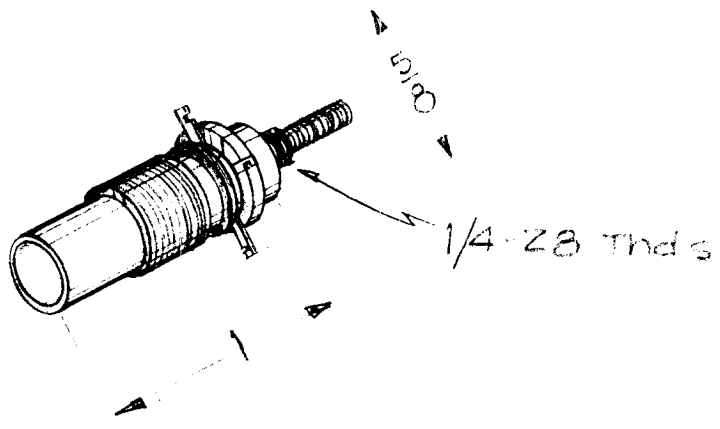


SYMBOL	FUNCTION	REQ. PER. UNIT	USED ON		
			MODEL	FREQ.	DATE
L31	BTRFBAND4	1	GPR-9DRXD	5.4-9.7MC	5-25-60
T106	"	1	GPR-92	5.6-9.5MC	10-16-62

TT-105

SPECIFICATIONS

Q-Pri. ~ 90
 Sec. ~ 100
 Lwh-Pri. ~ .42
 Sec. ~ 7.0
 Freq.-Pri. ~ 25
 Sec. ~ 7.9



								REQ.	ITEM	PART NO.	DESCRIPTION		SYMBOL
								STOCK SIZE		THE TECHNICAL MATERIEL CORP. MAMARONECK, NEW YORK			
								MATERIAL		TRANSFORMER, RF, TUNED			
ISSUE	ITEM	CHANGED FROM	DATE	CH. NO.	DRAFTS	CHECKER	ENG. APP.	TYPE & TEMPER		HEAT TREAT. SPEC.	DRAWN	CHECKED	FINAL APPROVAL
TOLERANCES			SCALE: ZA-1886					FINISH & SPEC. NO.		ELEC. DES. APP	MECH. DES. APP	TT-105	
DEC. DIM. ±			MAXIMUM ALLOWABLE TOLERANCES HAVE BEEN DETERMINED AND ANY DEVIATIONS WILL BE CAUSE FOR REJECTION. REMOVE ALL BURRS AND SHARP EDGES										
FRAC. DIM. ±													
ANGULAR DIM. ±													