

SYMBOL	FUNCTION	REQ. PER UNIT	USED ON		
			MODEL	FREQ.	DATE
L30	1 ST RF BAND 3	1	GPR-90-RXD	3.2-5.6 MC	5-25-60
T105	"	1	GPR-92	3.3-5.6 MC	10-16-62

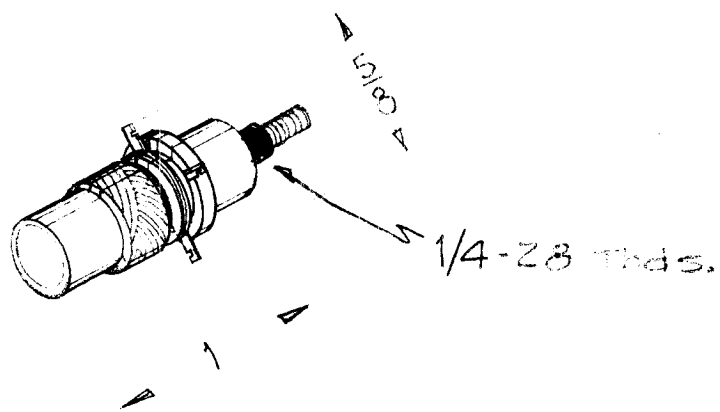
TT-104 A

— SPECIFICATIONS —

Q - PRI. - 17 or greater
 SEC. - 68 To 80

Luh - PRI. - .29 To .35
 SEC. - 17.5 To 21.0

FREQ - PRI. - 25
 SEC. - 2.5



REQ.	ITEM	PART NO.	DESCRIPTION		SYMBOL
			THE TECHNICAL MATERIEL CORP.		
			MAMARONECK, NEW YORK		
			TRANSFORMER, RF, TUNED		
			MATERIAL		
			TYPE & TEMPER		
			HEAT TREAT. SPEC.		
			FINISH & SPEC. NO.		
TOLERANCES DEC. DIM. ± FRAC. DIM. ± ANGULAR DIM. ±			SCALE: ZA-1885 MAXIMUM ALLOWABLE TOLERANCES HAVE BEEN DETERMINED AND ANY DEVIATIONS WILL BE CAUSE FOR REJECTION. REMOVE ALL BURRS AND SHARP EDGES		DRAWN CHECKED FINAL APPROVAL TT-104 A
ON SPECIFICATIONS LUH PRI. WAS .52 & LUH SEC. WAS 19.0 ON SPECIFICATIONS Q PRI. WAS 22.0 & Q SEC 75			RLL		