

SYMBOL	FUNCTION	REQ. PER UNIT	USED ON		
			MODEL	FREQ.	DATE
L28	1st RF Band 1	1	GPR-90-RXD	.54-1.4 MC	5-9-60
T103	"	1	GPR-92	.54-1.4 MC	10-16-62

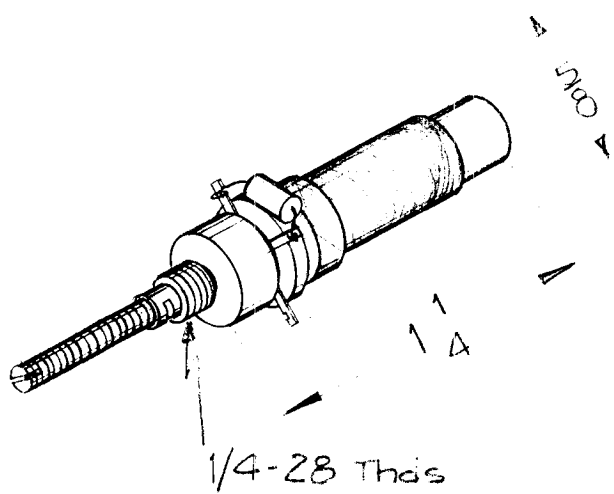
TT-102

— SPECIFICATIONS —

Q → PRI. -8>
 SEC. -50>

Luh → PRI. 10 (9.5-10.5)
 SEC. 340 (320-360)

FREQ. → PRI. -25 MCS
 SEC. 790 KC



ISSUE	ITEM	CHANGED FROM	DATE	CH. NO.	DRAFTS	CHECKER	ENG. APP.	REQ.	ITEM	PART NO.	DESCRIPTION	SYMBOL
											THE TECHNICAL MATERIEL CORP. MAMARONECK, NEW YORK	
TOLERANCES								MATERIAL		TRANSFORMER, RF, TUNED		
DEC. DIM. ± FRAC. DIM. ± ANGULAR DIM. ±								SCALE: 2A-1833		DRAWN: [Signature] CHECKED: [Signature] FINAL APPROVAL: [Signature]		
MAXIMUM ALLOWABLE TOLERANCES HAVE BEEN DETERMINED AND ANY DEVIATIONS WILL BE CAUSE FOR REJECTION REMOVE ALL BURRS AND SHARP EDGES								TYPE & TEMPER HEATTREAT. SPEC.		FINISH & SPEC. NO.		
										TT-102		